

MILTON & OLDBROOK

Modelname: MADRID - Itemnr: MIFU000003

INSTRUCTIONS

Thank you for purchasing this quality product. Be sure to check all packing material carefully for small parts that may have come loose inside the carton during shipment.

Important: don't tighten all screws/bolts until the chair is completely assembled.



Does your chair have unstable legs after assembly?
Scan the QR code how to stabilize the chair legs.



FR
Pensez à
donner ou recycler.



ou




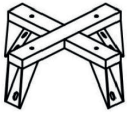



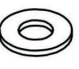




ou



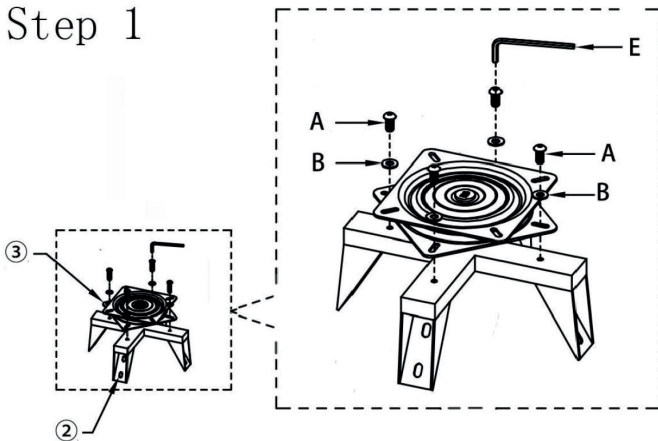
Déchèterie

<https://quefairedemesdechets.fr>

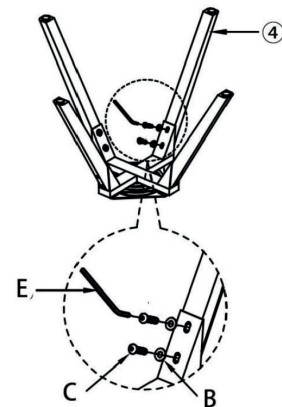
MILTON & OLDBROOK

<p>①、Seat 1 PC</p> 	<p>②、Connection 1 PC</p> 	<p>③、Rotating disk 1 PC</p> 	<p>④、Wooden feet 4 PCS</p> 	<p>CAUTION: Because of the edges of some parts before assembly may be sharp, please handle unassembled parts carefully</p>	
<p>A、Screw M6*16 4 PCS</p> 	<p>B、Spacer φ18*1.2 16 PCS</p> 	<p>C、Screw M6*35 8 PCS</p> 	<p>D、Screw M6*20 4 PCS</p> 	<p>E、Hex wrench M5 1 PC</p> 	<p>F、Felt mat φ25*3 4 PCS Ø25×3 mm</p> 

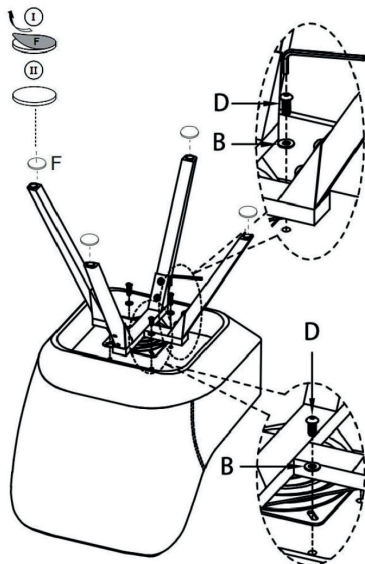
Step 1



Step 2



Step 3



Step 4



Attention:

Be careful when you install the product. Inspect the screw to insure the product in good condition after several months. Dont shake it violently,safely use keeps you safe.