

WORKBENCH WB150

WERKBANK
ÉTABLI D'ATELIER
WERKBANK

1

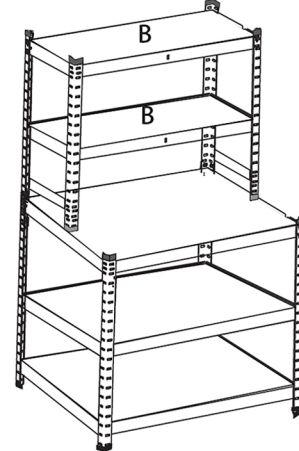
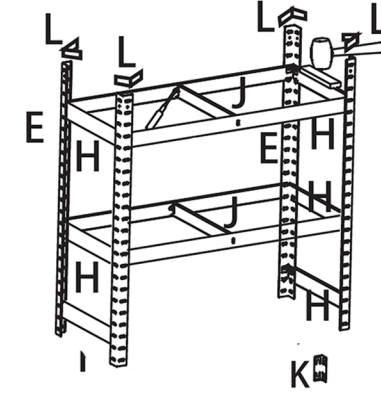
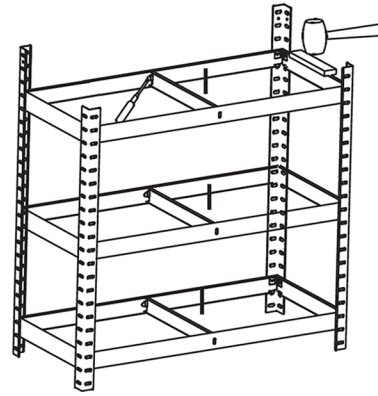
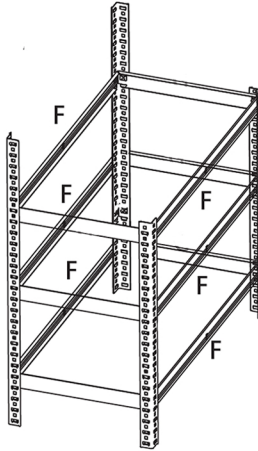
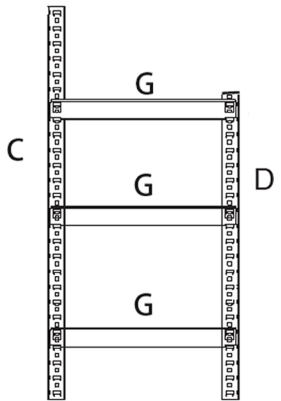
2

3

4

5

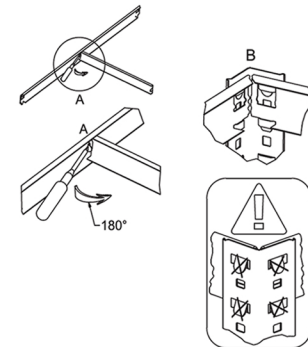
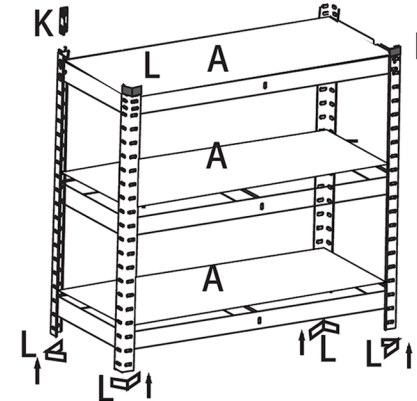
MAKE THIS 2 X



CONTENTS:

A		x3	B		x2			
C		x2						
D		x4						
E		x2						
F		x10						
G		x6						
H		x6	I		x3			
J		x2	K		x2	L		x12

TOOLS REQUIRED:



BRASQ®