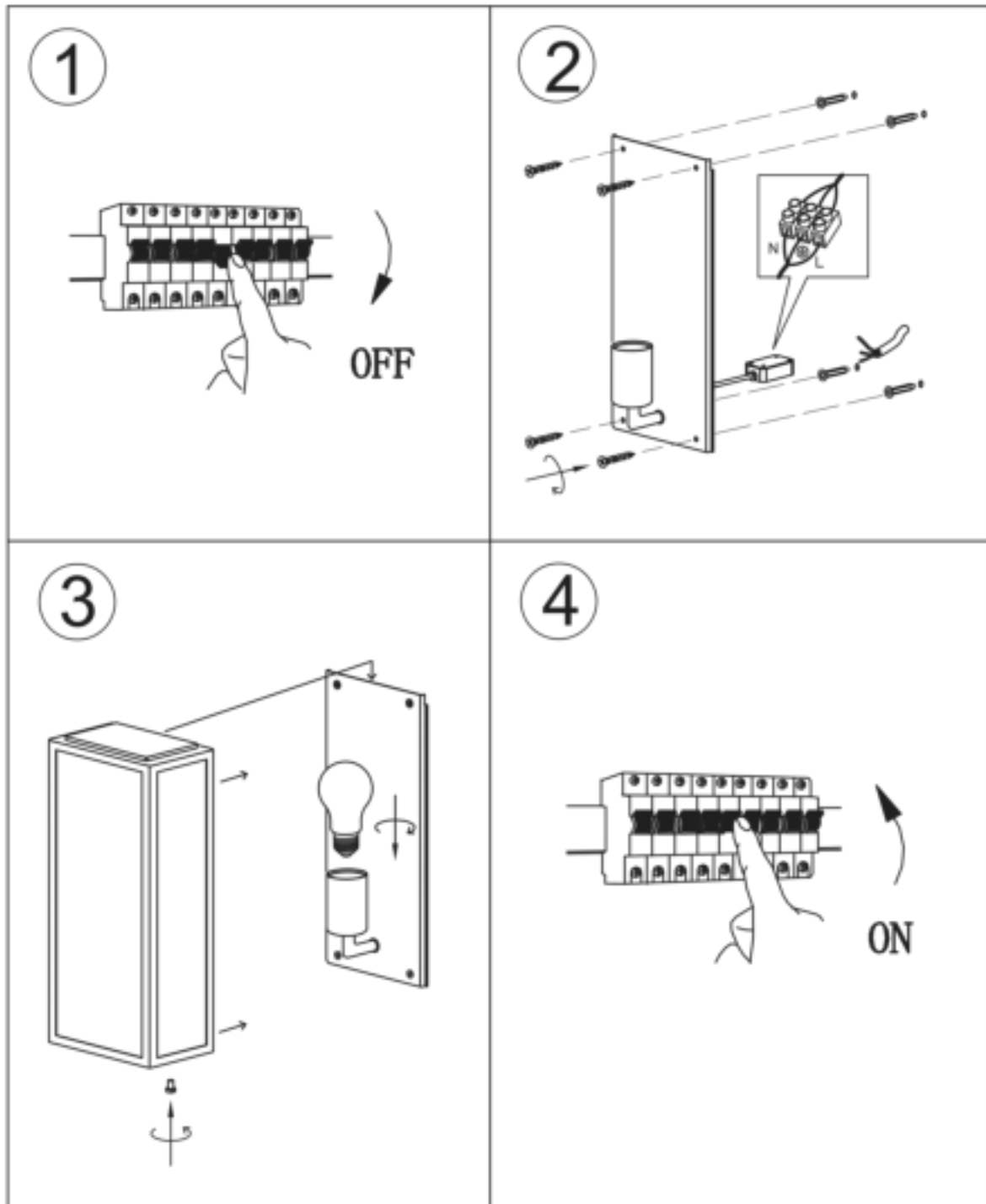


# Instruction Manual

DMQ Boston Outdoor Wall Light  
Q13461



View this product and manual online  
by scanning this QR code

**DMQ**