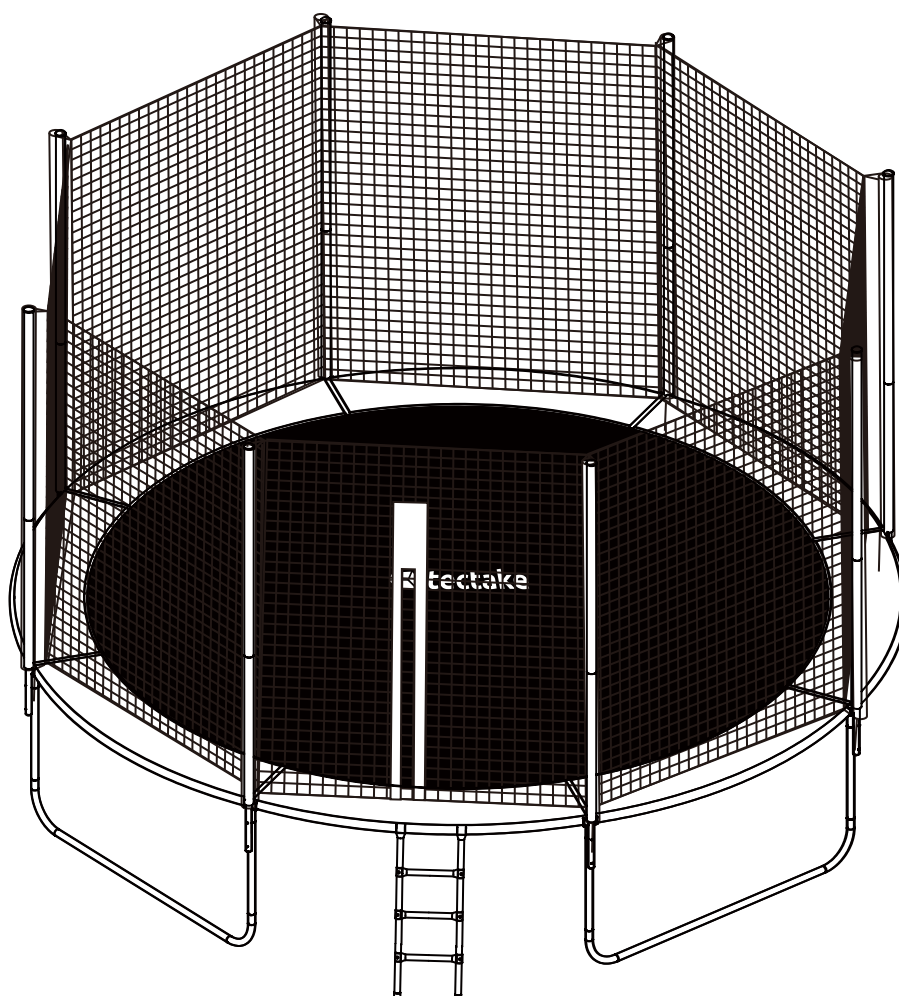


INSTRUCTION MANUAL

Trampoline



Please note! Not suitable for children under 36 months
Assembly/instruction manual
Use this trampoline at your own risk!
The assembler is responsible for ensuring the trampoline's proper condition!

INTRODUCTION

Before using the trampoline, please read through this information brochure precisely. As with any other sporting activity, there is a risk of injury. To keep this risk as low as possible, please take the necessary safety precautions.

- These instructions are part of the product. Please therefore keep them to refer to later. If you would like to pass the product on to someone else, please also provide these instructions.
- Incorrect use of the trampoline is dangerous and can lead to serious injury or even death.
- Trampolines often let users jump much higher than they are used to, requiring bodily control.
- Please check the trampoline for stability before use, and make sure that no parts are loose.
- You can find information on correctly setting up the trampoline, safety data and the right jumping techniques in this brochure. Users and supervisors should read through this information and make themselves familiar with it. Anyone using this trampoline should be aware of their own physical limits and only carry out jumps that comply with their individual skills.
- The trampoline is not suitable for sinking into the ground.

Small objects / packaging parts (plastic bag, box etc.)

- Store small objects (such as screws and other assembly materials, cards) and packaging parts out of the reach of children so that they cannot be swallowed. Do not let small children play with plastic packaging. Risk of suffocation!
- Do not place any naked flames, e.g. burning candles, onto the device.

Proper use

- This device is designed for physical exercise through jumping.
- It is solely intended for this purpose and may only be used for this purpose. It may only be used in the way described in this instruction manual.
- This product is not intended for use by people (including children) with limited physical, sensory or learning abilities or a lack of experience and/or knowledge unless supervised by a person responsible for their safety or instructed by them in how to use the product. Children should be supervised to ensure they do not play with the product.

Repairs

- Repairs to the product should be carried out by an authorised specialist maintenance facility.
- Any changes or conversion of the product will impair product safety. Risk of injury!
- Never open the product alone and never carry out repairs yourself!
- Incorrect assembly may lead to incorrect functioning or overall failure.
- Do not open the product.
- We will not be held liable for subsequent damages. Technical changes and errors reserved!
- The guarantee shall expire if the product is tampered with.

Safety notice

Read these instructions thoroughly and in full before use. Improper assembly and/or use may cause injury. Check the trampoline's set-up before each use. If there is any doubt as to the safety of the construction, do not use the product.

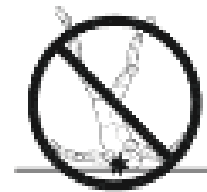
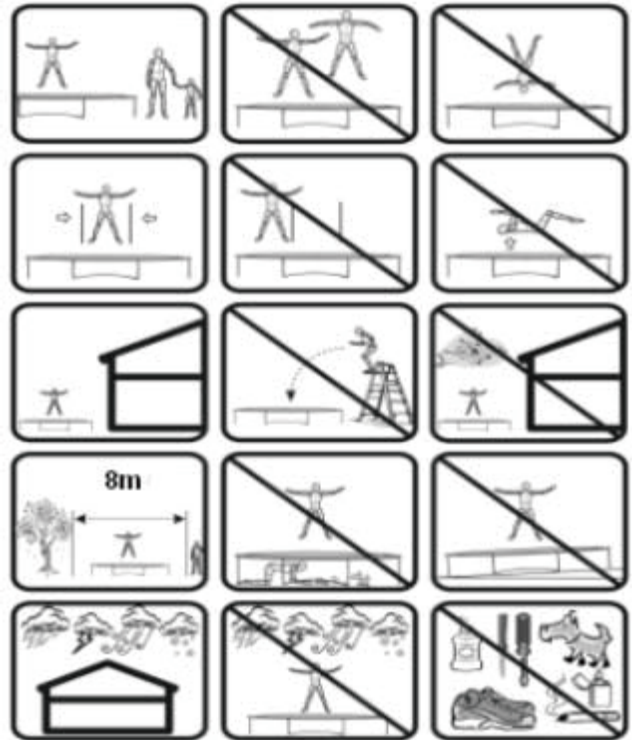
The product is not suitable for children under the age of 3! Make sure that children under this age do not have access to the trampoline.

Max. user weight: 150kg

Please note!

- Use of the product should always be supervised - regardless of age.
- Take a break every 20 minutes.
- Children may only use the device under supervision and should be instructed in its use by adults.
- If you are not experienced in using a trampoline, carefully familiarise yourself with the physics of trampolines and jumping on trampolines.
- Empty your hands and pockets before use.
- The trampoline may only be used by one person. Risk of collision.
- Remove shoes; thin-soled gym shoes may be worn.

- Always jump in the middle of the trampoline.
- While jumping, do not wear any clothing or other objects that may get caught.
- The trampoline must be set up on a non-slip surface on even terrain.
- Never jump off the trampoline.
- The device may be carried away by strong wind. If there is a very windy day forecast, store the trampoline in a place sheltered from the wind or anchor it to the ground.
- Do not use when wet.
- Avoid moving the device in its fully assembled state. If this is absolutely necessary, at least 4 strong people should securely move the trampoline with the mat in a horizontal alignment.
- Do not assemble the product near water and ensure enough distance from buildings etc.
- Make sure that nobody is underneath the trampoline during use.
- Do not store objects under the trampoline.
- Before use, make sure that the mat is clean and dry. Defective mats are not to be used and must be replaced.
- Do not use the trampoline under the influence of alcohol or medication.
- The trampoline must be set up so that there is enough room above the trampoline mat.
- Do not set up the trampoline near any hazards - near trees, power lines, masts, fences etc.
- Avoid setting up the product under power.
- Always make sure that the zip on the safety net is closed and hooked to secure.
- Do not jump into the safety net on purpose.
- Always close the net opening before use.
- Do not eat while jumping



- Beginners should not try risky manoeuvres such as somersaults.

Assembly advice

- The trampoline should be assembled carefully by at least two suitable adults. If you have any questions, call our service centre.
- Before you begin assembly, carefully read all the instructions.
- Remove all the packaging materials and place all the parts out on a clear surface so you can see everything at once. This will make assembly considerably easier.
- Compare the parts with the parts list and ensure nothing is missing.
- Handling tools and any kind of technical work always comes with a certain risk of injury. Be careful.
- Make sure that the environment is free from hazards, for example: do not leave tools lying around.
- Make sure that the packaging material, especially foils and plastic bags, are kept out of the reach of children (risk of suffocation!). Dispose of all packaging materials properly.
- Once you have set up the trampoline in compliance with the instructions, check that all the screws and nuts as well as all other connectors are secure.
- Place the trampoline on a flat, even surface at least 2m away from other constructions or barriers, e.g. fences, garages, buildings, masts, washing lines or power lines.
- The trampoline must be placed on a secure, level and even base before use.
- Do not use the trampoline in bad weather such as wind and rain. We recommend not leaving the product outside in bad weather.
- The trampoline's metal frame conducts electricity. Ensure that it does not come into contact with electricity (also during storms).
- Do not use the trampoline in poor light.
- Do not store any other outdoor leisure devices directly nearby.

Maintenance instructions

- Consumable parts include springs, braces and their fixtures, fixtures attaching the cover to the device, and the trampoline mat.
- Protect the trampoline from moisture and high temperatures.
- Please note that the trampoline should be frequently monitored to ensure it is fit for purpose, e.g. permissible wear to consumable parts.
- Please see the following instructions. It is especially important to follow the maintenance instructions at the beginning of each season and regularly during the season of use.
- Regular maintenance is required. Failure to carry out regular maintenance can pose a risk to users.
- Check that all screws and nuts are in place and tighten if necessary.
- Check that all spring ends are still intact and cannot loosen during use.
- Check all coverings for screws and sharp edges. Please replace these as needed.
- The trampoline may not be placed on hard surfaces such as asphalt, concrete etc

- If locking nuts or screws are used, please make sure that these are not designed for one-off use and need to be replaced.
- The safety net should be replaced after 1 year at the latest.
- A badly maintained trampoline increases the risk of injury. Please check the trampoline for tears or worn-out areas on the mat and cover, bends in the frame, missing parts, loose or broken springs and overall stability. Inspect the trampoline before each use.
- Worn-out or defective parts must be replaced immediately. The trampoline should not be used until completely refitted.
- If the trampoline is not being used, please store it in a dry and clean place.

Dimensions:

Model	Frame height	Safety net height	Total diameter	Total height of frame including safety net
403518	76cm	180cm	305cm	256cm
403519	80cm	180cm	366cm	260cm
403520	80cm	180cm	396cm	260cm
403521	80cm	180cm	427cm	260cm
403522	90cm	180cm	457cm	269cm

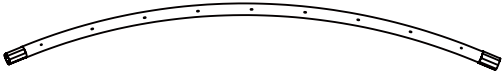
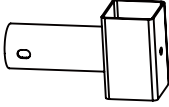
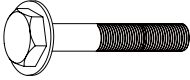
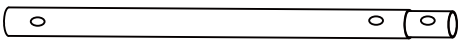


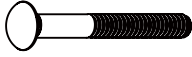



Montage

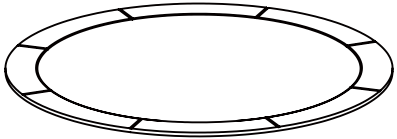
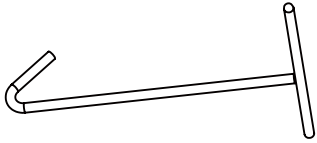

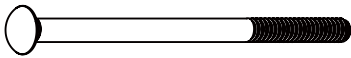
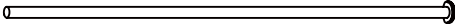
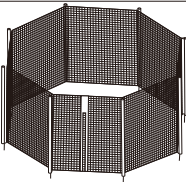

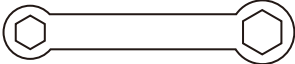
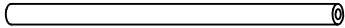
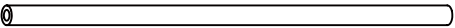
Assembly

Please note

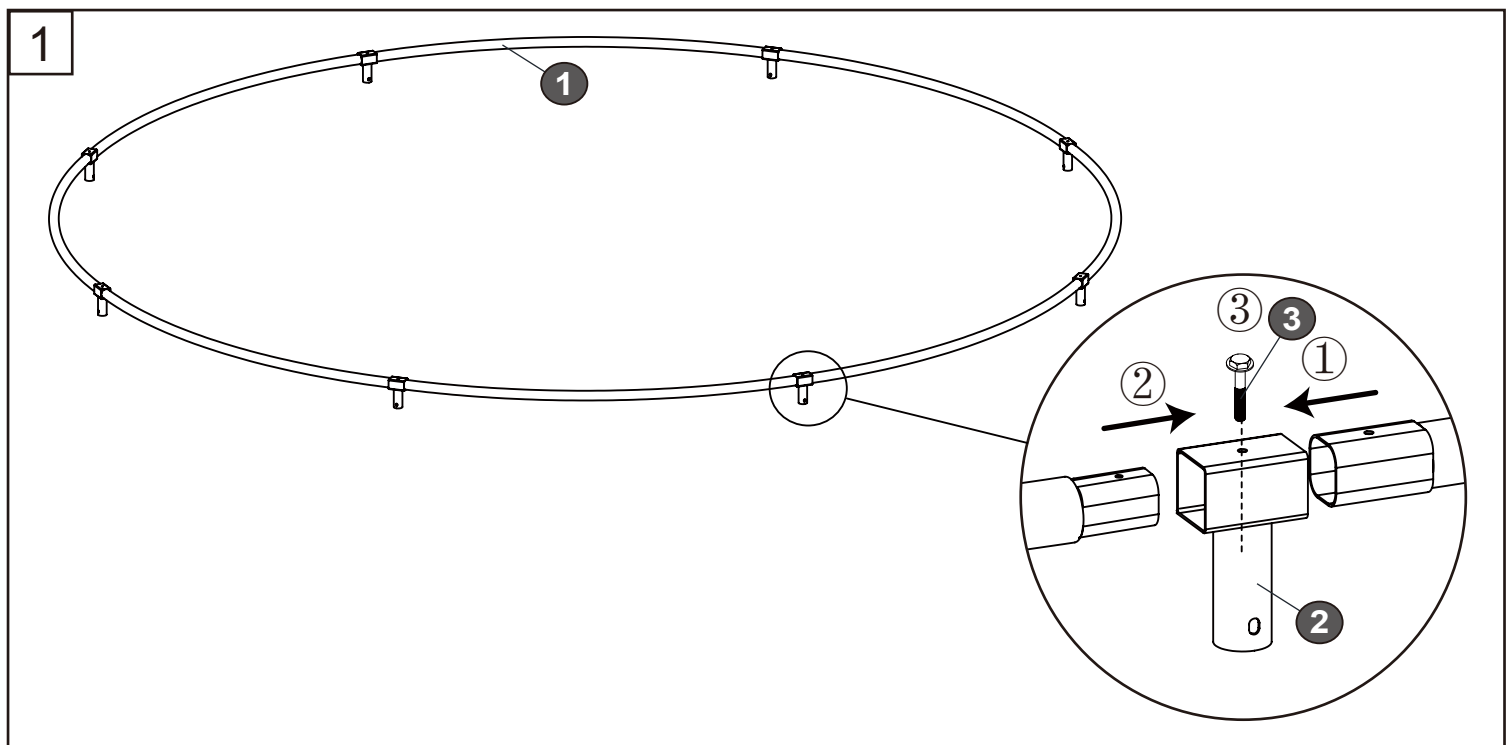
To identify the various different parts, please see the parts list.

Please note: assembly requires two adults in good physical health. For their safety, they should wear suitable shoes and clothing. Failure to follow the instructions can lead to injury. The images may vary slightly between various trampoline models.

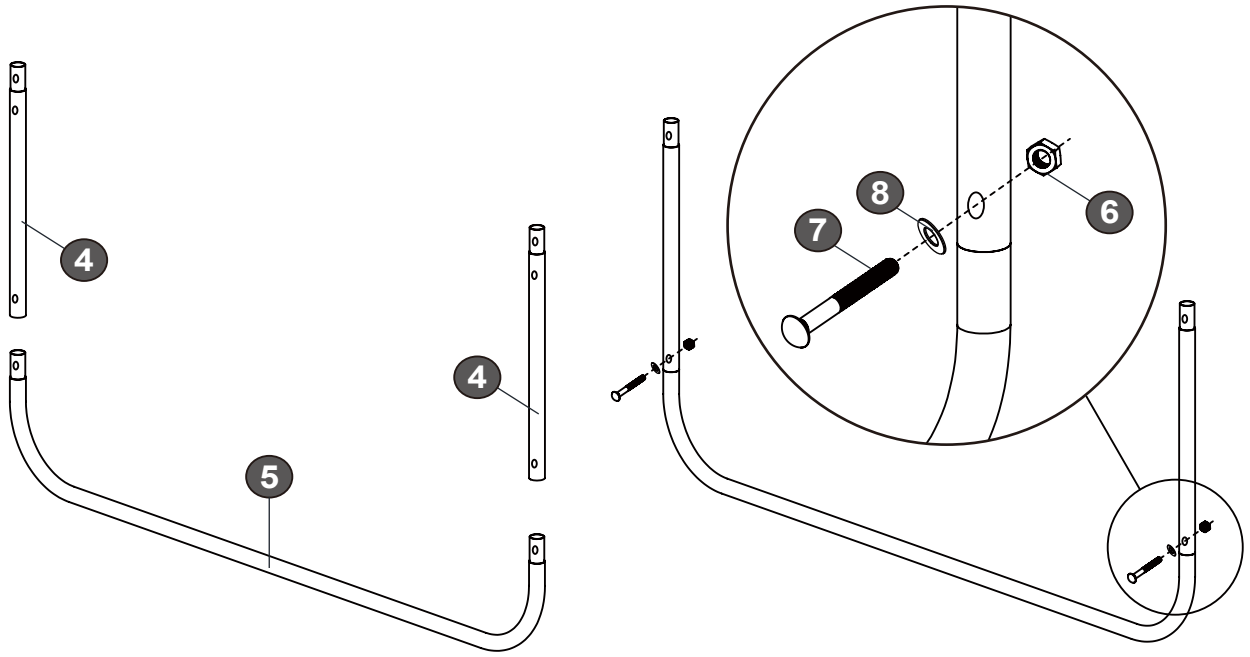
Serial No.	Replacement Part	Images	403518	403519	403520	403521	403522	Comment
1	TOP FRAME		6	8	8	10	10	403518 155,5cm 403519 144,5cm 403520 156,5cm 403521 136,5cm 403522 145,5cm
2	CONNECTOR		6	8	8	10	10	
3	SCREW		6	8	8	10	10	M8X50mm
4	LEG EXTENSION		6	8	8	10	10	403518 51cm 403519 51cm 403520 51cm 403521 51cm 403522 61cm
5	LEG		3	4	4	5	5	403518 151cm 403519 140cm 403520 153,5cm 403521 133,5cm 403522 140cm
6	NUT		18	24	24	30	30	M6
7	SCREW		6	8	8	10	10	M6X45mm
8	WASHER		18	24	24	30	30	Φ6X18X1mm
9	MAT		1	1	1	1	1	403518 2610mm 403519 3230mm 403520 3540mm 403521 3840mm 403522 4040mm
10	SPRING		60	72	80	80	90	403518 14.5cm 403519 14.5cm 403520 14.5cm 403521 14.5cm 403522 18cm

Serial No.	Replacement Part	Images	403518	403519	403520	403521	403522	Comment
11	COVER PADS		1	1	1	1	1	403518 3.05m 403519 3.66m 403520 3.96m 403521 4.27m 403522 4.57m
12	SPRING COMPRESSOR		1	1	1	1	1	
13	SPACER		12	16	16	20	20	
14	SCREW		12	16	16	20	20	M6X75mm
15	UPPER POLE		6	8	8	10	10	
16	SAFETY NET		1	1	1	1	1	
17	LOWER POLE		6	8	8	10	10	
18	TOOL		1	1	1	1	1	
19	Short foam padding tube		6	8	8	10	10	
20	Long foam padding tube		6	8	8	10	10	

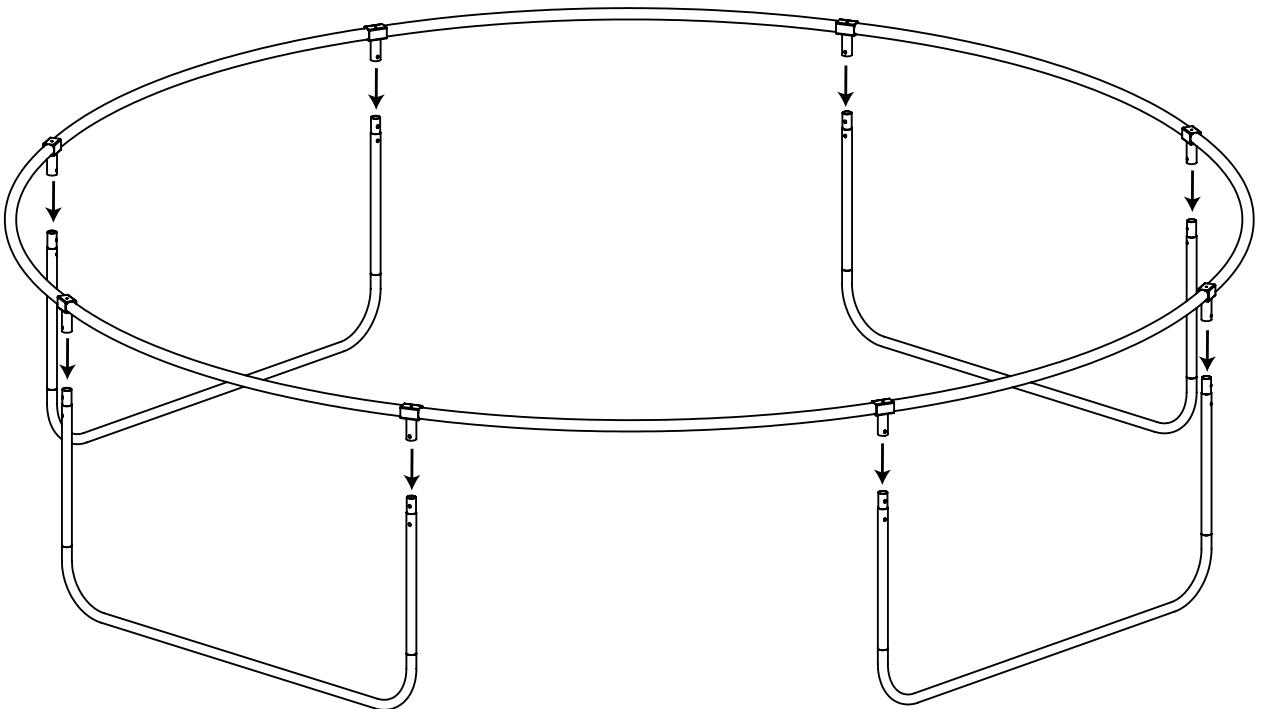
Serial No.	Replacement Part	Images	403518	403519	403520	403521	403522	Comment
21	Ladder bar	403518 403519 403520 403521 (86cm) 	2	2	2	2	2	
		403522 (96cm) 						
22	Ladder crossbar		2	2	2	2	3	
23	WASHER		4	4	4	4	6	
24	NUT		4	4	4	4	6	M6
25	SCREW		4	4	4	4	6	M6X35
26	SAFETY NET		1	1	1	1	1	



2



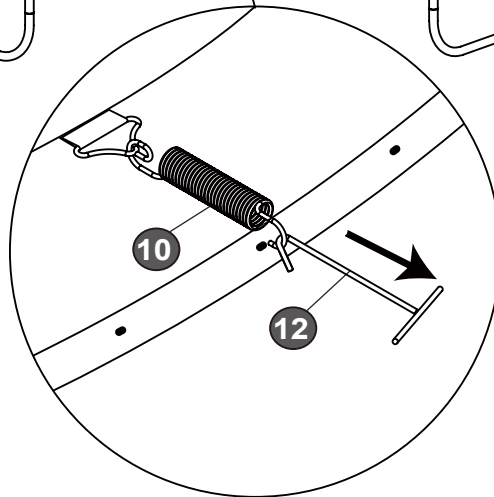
3



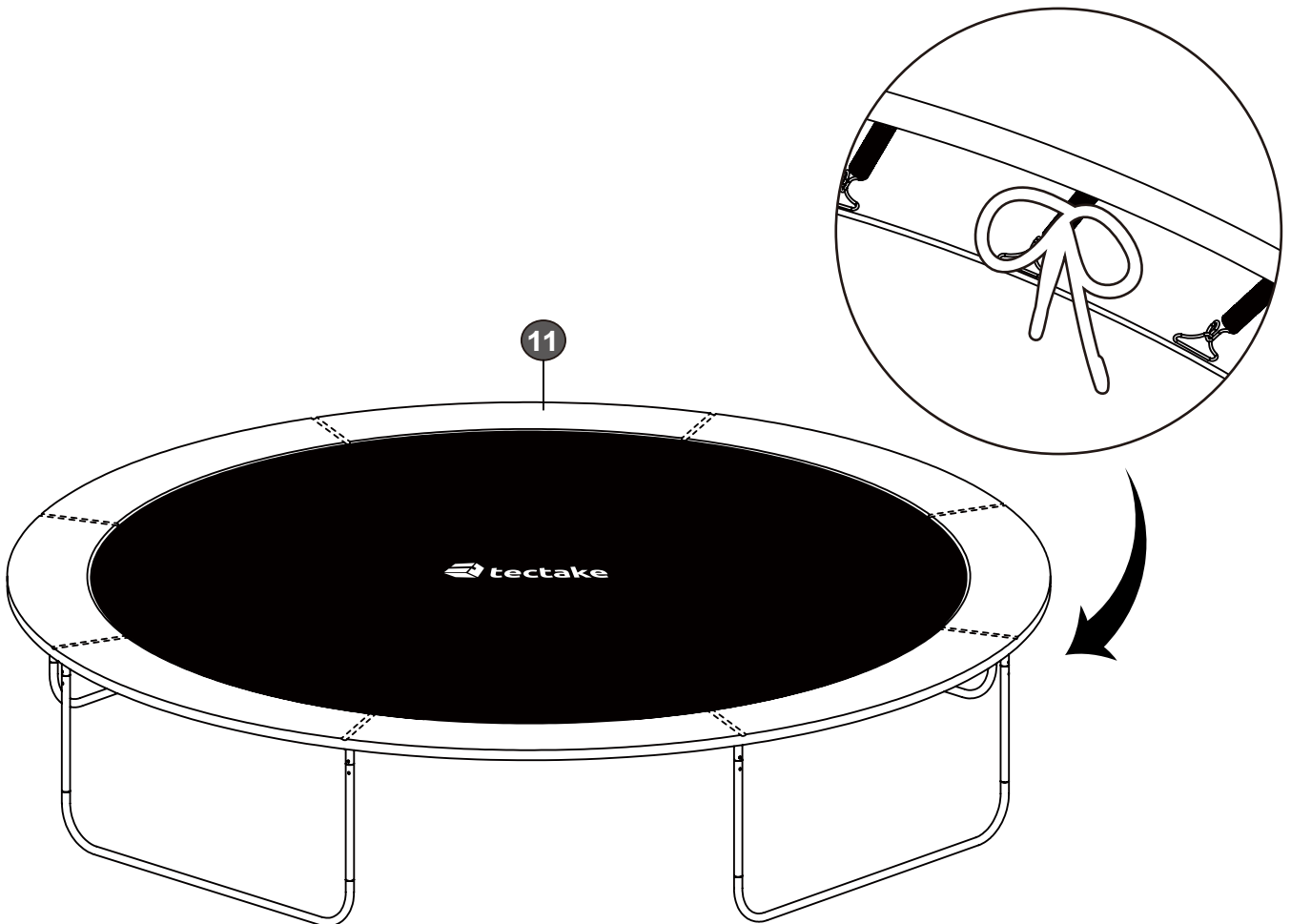
4



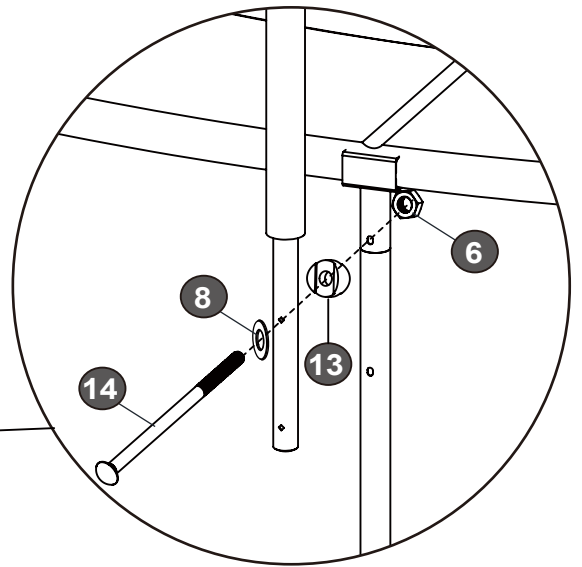
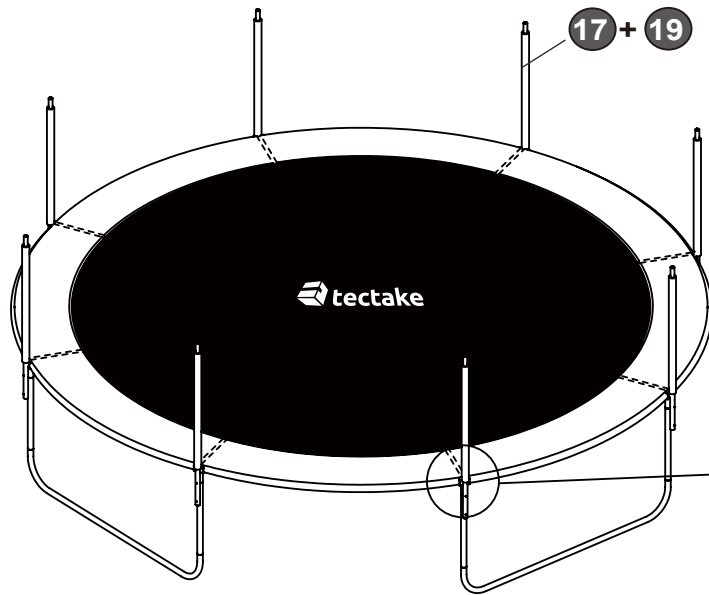
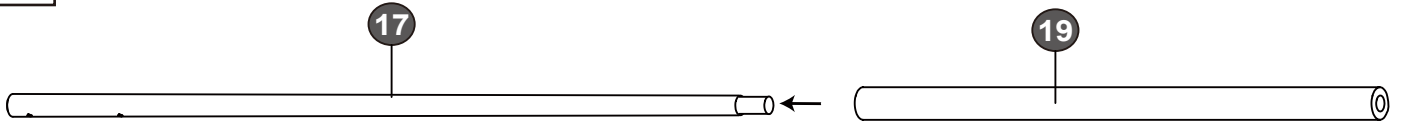
Please note!
Insert the springs
wound tightly. Spring
movement causes risk
of injury. Please install
symmetrically.



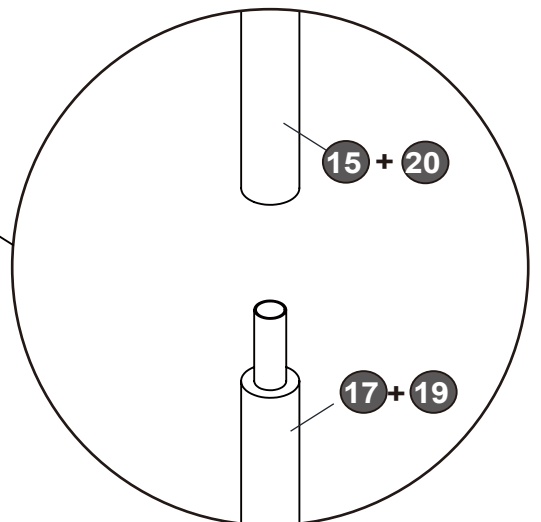
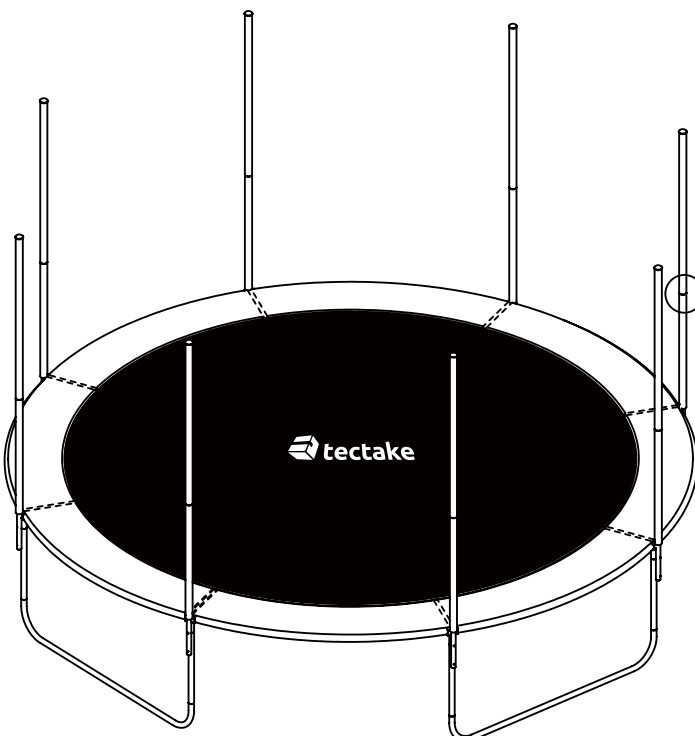
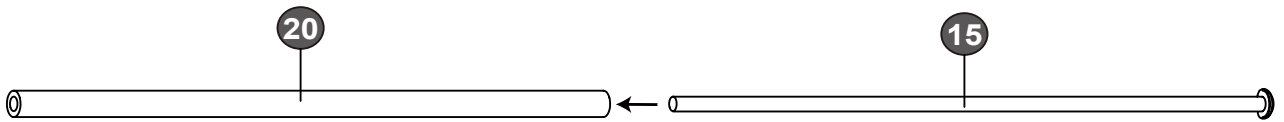
5

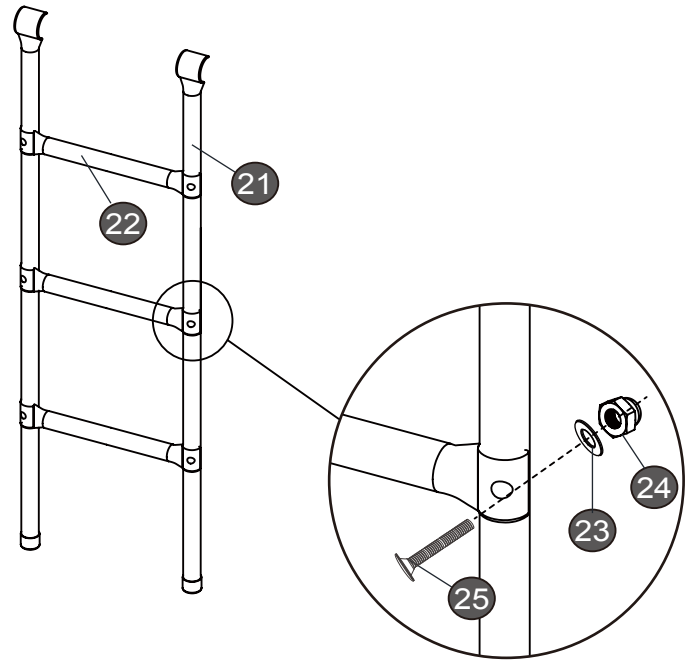
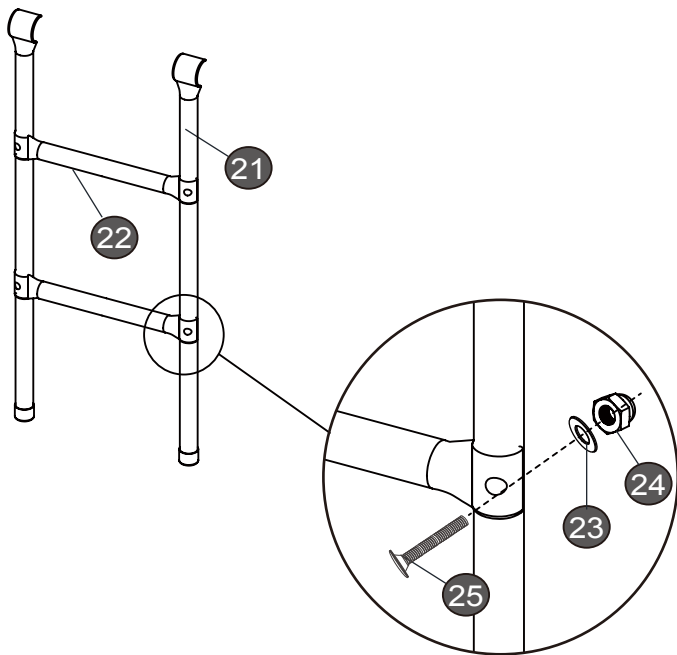


6

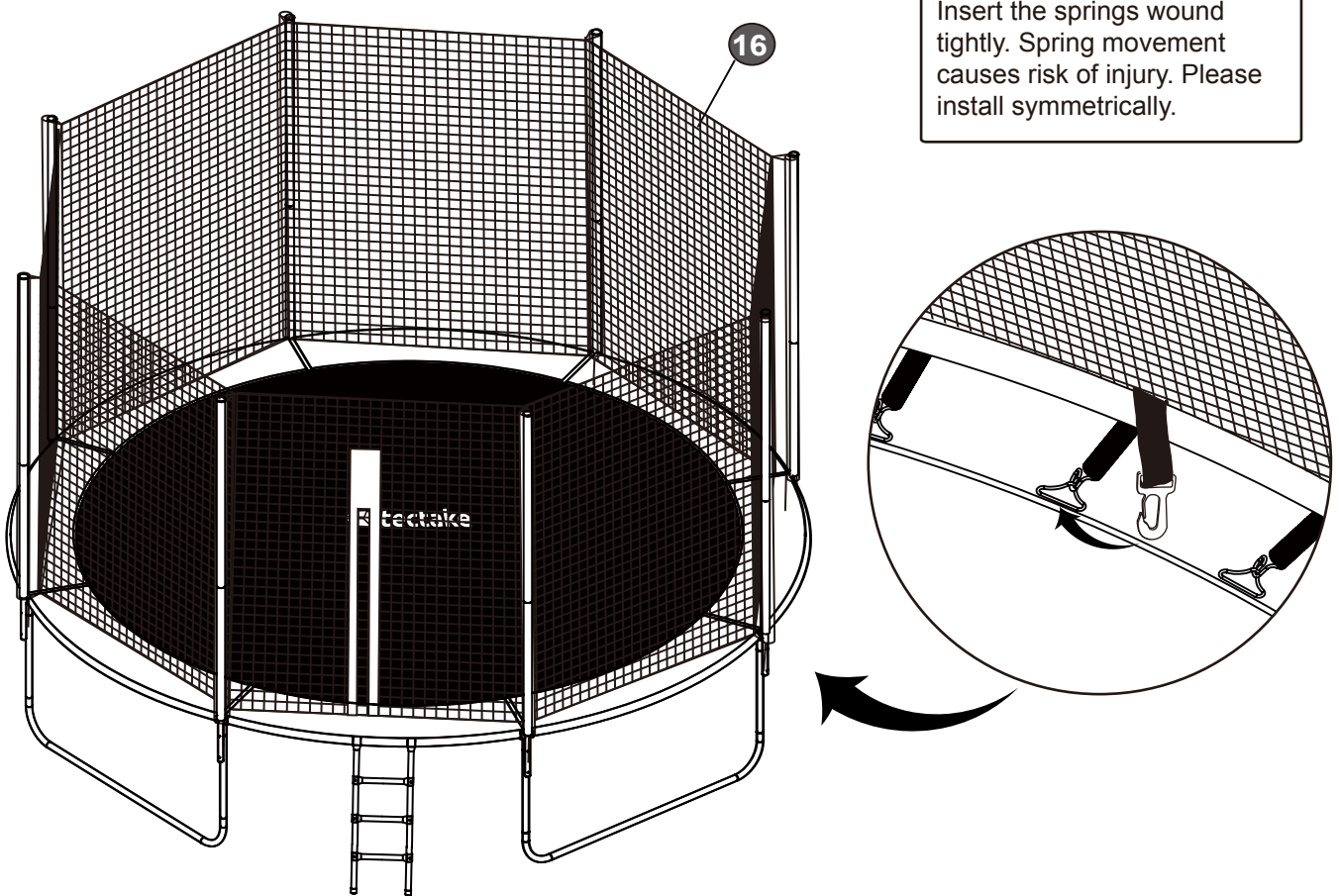


7



**Please note!**

Insert the springs wound tightly. Spring movement causes risk of injury. Please install symmetrically.



Close the zip on the safety net entrance opening and hook all the entrance hooks. The supervising person must check the zip and hooks before the trampoline can be used. Before testing the trampoline, please read the 'testing the trampoline' section.

For disassembly, please follow the assembly instructions in reverse.

Testing the trampoline

After assembling the trampoline, it is essential to carry out the following safety checks/investigations:

Checking the trampoline:

- Use a screwdriver to check that all screws are tight.
- Look underneath the trampoline and check that all springs are securely in the frame and that the triangular eyelets in the mat are hooked.
- Wobble the trampoline and check that the frame is stable. The ground must be even.
- Make sure that the cover mats cover the springs and frame completely and that the bands are securely attached.

Check the safety net:

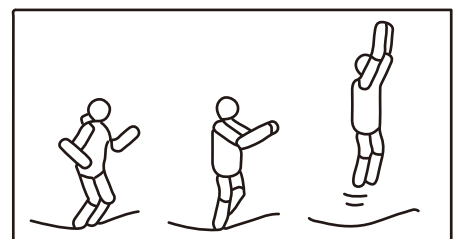
- Check the handrails for stability.
- Take a close look at the material and seams of the mesh and insert sleeves. They must be in tact.
- Check the zip and hooks on the entrance for functionality.
- Check that all the hooks underneath the trampoline are hooked into the triangular eyelets.

Basic jumping techniques

As the risk of injury is very high among inexperienced jumpers, it is important to learn basic jumping techniques.

The basic jump

- Starting from a standing position, keep your feet shoulder-width apart and keep your eyes on the mat.
- Swing your arms forwards and move in a circular motion.
- Raise both feet into the air at the same time and point your toes downwards.
- Land with both feet shoulder-width apart.



Cancellation manoeuvre

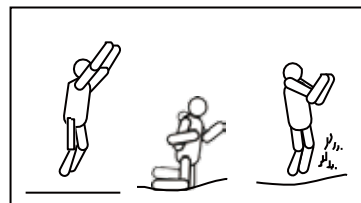
- The jumper may occasionally lose control of their jump. By carrying out the cancellation manoeuvre, the jumper can regain control of their jump and balance.
- Start with the basic jump.
- Pull your knees up on landing. That's how to cancel your jump.

The hand/knee jump

- Begin with a low, controlled basic jump.
- Land on your hands and knees, keeping your back straight.
- Ensure a good 4-point landing. The height shouldn't be important here.

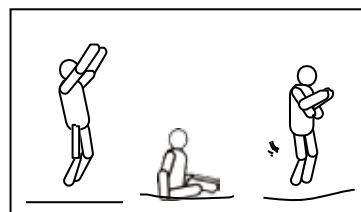
Knee jump

- Begin with a low, controlled basic jump.
- Land on your knees, keeping your body upright and your back straight. Use your arms to keep your balance.
- Jump back into the basic position by swinging your arms backwards.



Sitting jump

- Land in a flat sitting position.
- Place your hands next to your hips.
- Push with your hands to return to an upright position.



Training plan

Follow the training plan to learn the basic jumps before attempting more difficult jumps. You should thoroughly read the safety instructions and clearly understand their necessity before you begin training. Supervisors and users should discuss the trampoline guidelines as well as bodily functions in detail.

1.Practice session

- Mounting and dismounting - showing clean techniques
- Basic jump - demonstration and practice
- Cancellation manoeuvre - demonstration and practice
- Hand/knee jump - demonstration and practice

2.Practice session

- Repeat the last session
- Knee jump - demonstration and practice
- Sitting jump - demonstration and practice
- To develop a routine, begin with a sitting jump and end with a knee jump.

3.Practice session

- Repeat what you learned in the previous sessions.

Once the practice session is complete, you will have basic knowledge. In future, always keep an eye on checking and implementing your jumps.

The following game may be used to gradually get users used to the trampoline: player one begins with a jump, player two repeats this and adds another. The players alternate and each add a jump. The last one to carry out all jumps wins. It's still important here that all jumps are carried out in a controlled manner.

Don't try jumps that are too difficult and that you have not fully mastered. If you want to improve your skills, you should find a trained trampoline teacher.

Stretching

Daily trampolining can improve your health. But you should always stretch first. Stretching relaxes and can ease muscle tension. It prevents serious muscle injury during training. So it's important to include stretching in your training programme. Please ensure that you only start stretching after warming up.

The following exercises are examples of what you should do before training. All movements should be slow and gentle until you feel a slight pull in your muscles. Maybe you'd like to increase the intensity of your stretches gradually but please do not stretch until it hurts and don't stop suddenly or you could tear your muscle fibres. Hold each exercise for between 10 and 20 seconds. Breathe in and out slowly.

Calf

- Stand 90cm away from a wall, position one leg 30cm forwards and bend both legs, using your hands for support. Keep your heels on the ground and turn your feet inwards slightly (low intensity).
- Or leave your back leg straight and bring the other leg forwards by 60cm. Use your hands for support. Keep your heels on the ground and turn your feet inwards slightly (higher intensity).
- Repeat with the other leg.

LCL

- Stand with one foot a step behind the other (the back leg is the one that will be stretched). Move your hip against the wall but keep your torso still. Do not bend forwards. Repeat with the other leg.

Lower back, hips, groin, thigh muscle

- Stand with your feet shoulder-width apart. Tilt forwards from the hips. Keep your knees slightly bent.

Sides

- Stand with your feet shoulder-width apart. Keep your knees slightly bent. Place your left hand on your hip, stretch out your right arm and pull it over your head. Slowly stretch your torso to the left (low intensity).
- Or stretch both arms over your head, using your left hand to pull on your right arm. Slowly bend your body to the left (higher intensity).
- Repeat with the other side.

Outer thigh

- Lie flat on your stomach and pull your left heel towards your bottom with your right hand. Keep a comfortable distance from the straight leg.
- The same stretch can be carried out in a standing position. Neither the thigh nor the torso should be bent forwards.
- Repeat with the other leg.

Inner thigh

- Sit on the floor with your soles together. Use your elbows to gently push your knees downwards.
- Put your feet 90cm - 120cm apart and stretch outwards. Keep your legs straight and bend over the other knee.
- Repeat with the other side.

Back thigh

- Bend one knee. Keep the other leg straight. Try to touch the toes on your straight leg with both hands.
- Repeat the exercise with the other leg.

Gluteal muscles

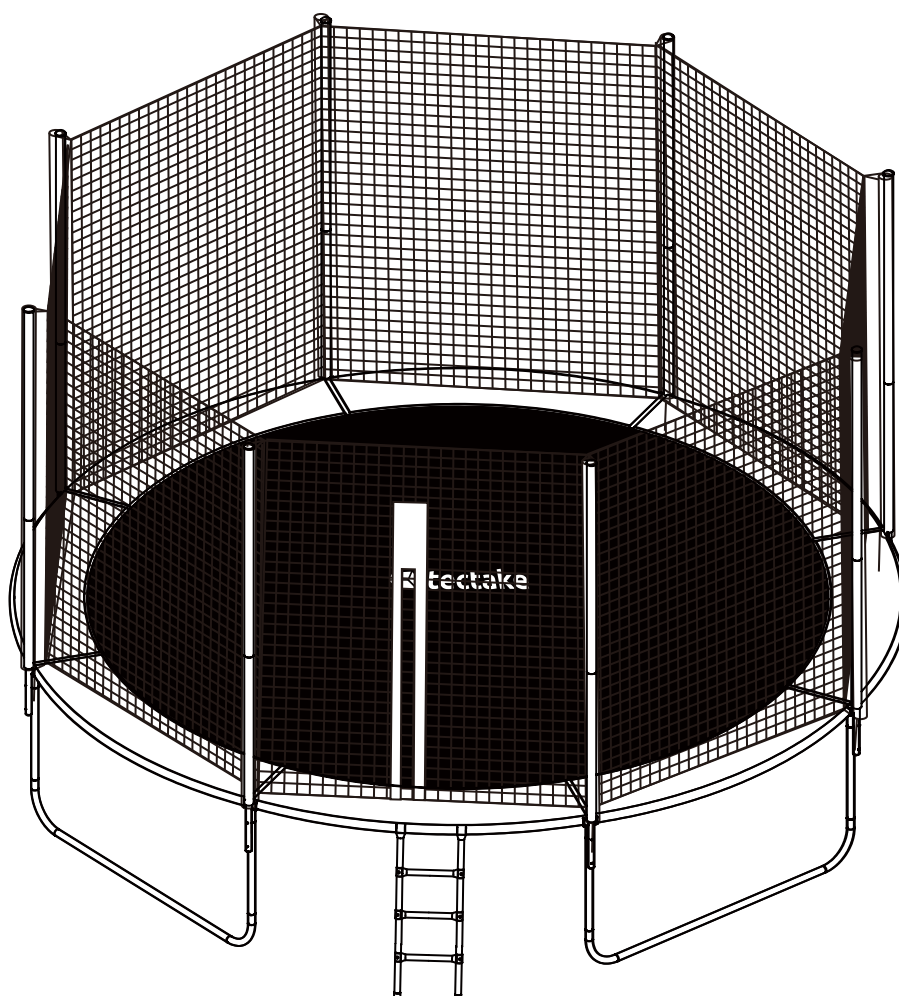
- Lie on your back. Pull one knee to your chest while the other leg remains straight and flat to the floor. This exercise can also be carried out in a standing position.
- Repeat with the other leg.

Shin

- Put all your body weight on one leg. Stretch the other leg forwards and move your ankle up and down.
- Repeat the exercise with the other leg.

BEDIENUNGSANLEITUNG

Trampolin



Achtung! Nicht für Kinder unter 36 Monaten geeignet Montage-/Gebrauchsanleitung

Die Benutzung des Trampolins geschieht auf eigene Gefahr!

Der Aufsteller ist nur für den ordnungsgemäßen Zustand des Trampolins verantwortlich!



EINLEITUNG

Vor Gebrauch des Trampolins lesen Sie bitte diese Informationsbroschüre genau durch. Wie bei jeder anderen sportlichen Betätigung, besteht auch hier die Gefahr einer Verletzung. Um das Risiko einer Verletzung möglichst gering zu halten, befolgen Sie bitte die notwendigen Sicherheitsvorschriften.

- Diese Anleitung ist ein Teil dieses Produktes; bewahren Sie diese deshalb zum späteren Nachlesen auf. Falls Sie das Produkt einmal an eine andere Person weitergeben möchten, legen Sie bitte diese Gebrauchsanleitung immer bei.
- Die falsche Verwendung des Trampolins ist gefährlich und kann zu ernsthaften Verletzungen oder Tod führen.
- Trampoline bringen den Nutzer in oft ungewohnte Sprunghöhen und erfordern daher Körperkontrolle.
- Prüfen Sie vor jedem Gebrauch die Trampolinmatte auf ihre Stabilität und vergewissern Sie sich, dass kein Teil lose ist.
- Hinweise zum richtigen Auf- und Zusammenbau des Trampolins, Sicherheitshinweise und die richtigen Sprungtechniken finden Sie in dieser Broschüre. Nutzer und Aufsichtspersonen sollten sich diese Hinweise durchlesen und sich mit ihnen vertraut machen. Jeder, der dieses Trampolin benutzt, sollte sich seiner eigenen physischen Grenzen bewusst sein und nur Sprünge ausführen, die seinen individuellen Fähigkeiten entsprechen.
- Das Trampolin ist nicht dafür vorgesehen, in den Boden eingelassen zu werden

Kleine Objekte/Verpackungsteile (Plastikbeutel, Karton, etc.)

- Bewahren Sie die kleine Objekte (z.B. Schrauben und anderes Montagematerial, Speicherkarten) und Verpackungsteile außerhalb der Reichweite von Kindern auf, damit sie nicht von diesen verschluckt werden kann. Lassen Sie kleine Kinder nicht mit Folie spielen. Es besteht Erstickungsgefahr!
- Stellen Sie keine Quellen offener Flammen, z.B. brennende Kerzen, auf das Gerät.

Bestimmungsgemäßer Gebrauch

- Dieses Gerät dient dem körperlichen Ertüchtigung durch Springen
- Es ist ausschließlich für diesen Zweck bestimmt und darf nur zu diesem Zweck verwendet werden. Es darf nur in der Art und Weise benutzt werden, wie es in dieser Gebrauchsanleitung beschrieben ist.
- Dieses Gerät ist nicht dafür bestimmt, durch Personen (einschließlich Kinder) mit eingeschränkten physischen, sensorischen oder geistigen Fähigkeiten oder mangels Erfahrung und/oder mangels Wissen benutzt zu werden, es sei denn, sie werden durch eine für ihre Sicherheit zuständige Person beaufsichtigt oder erhalten von ihr Anweisungen, wie das Gerät zu benutzen ist. Kinder sollten beaufsichtigt werden, um sicherzustellen, dass sie nicht mit dem Gerät spielen.

Reparaturen

- Reparaturen am Gerät sollten nur von einer autorisierten Fachwerkstatt durchgeführt werden.
- Ein Umbauen oder Verändern des Produktes beeinträchtigt die Produktsicherheit. Achtung Verletzungsgefahr!
- Öffnen Sie das Produkt niemals eigenmächtig und führen Sie Reparaturen nie selber aus!
- Falscher Zusammenbau führt möglicherweise zu Fehlfunktionen oder dem Totalausfall.
- Öffnen Sie in keinem Fall das Gerät.
- Es wird keine Haftung für Folgeschäden übernommen. Technische Änderungen und Irrtümer vorbehalten!
- Die Gewährleistung verfällt bei Fremdeingriffen in das Gerät.

Sicherheitshinweise

Lesen Sie diese Bedienungsanleitung vor Gebrauch gründlich und vollständig. Unsachgemäßer Zusammenbau und Nutzung können Verletzungen nach sich ziehen. Prüfen Sie den Zusammenbau des Trampolins vor jeder Nutzung. Bestehen Zweifel an der Sicherheit der Konstruktion darf das Gerät nicht genutzt werden.

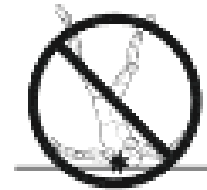
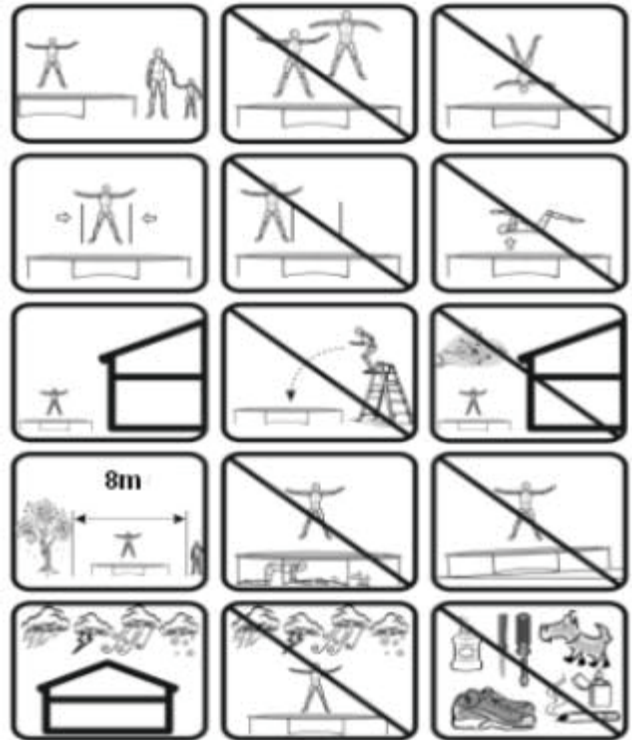
Das Gerät ist nicht für Kinder unter 3 Jahren geeignet. Achten Sie darauf, dass Kinder unter diesem Alter keinen Zugang zu dem Trampolin erhalten.

Max Gewicht des Benutzers: 150kg

Achtungen!

- Das Gerät ist stets – und unabhängig vom Alter – nur unter Aufsicht zu nutzen.
- Machen Sie alle 20 Minuten eine Pause.
- Kinder dürfen das Gerät lediglich unter Aufsicht nutzen und sollten von Erwachsenen vor dem Gebrauch angeleitet werden.
- Falls Sie nicht geübt im Umgang mit Trampolinen sind, machen Sie sich vorsichtig mit der Physik des Trampolins und Trampolinspringens vertraut.
- Vor dem Benutzen, Taschen und Hände leeren.
- Das Trampolin ist nur von einer Person zu nutzen. Kollisionsgefahr.
- Schuhe ausziehen; möglich sind ebenfalls Gymnastikschuhe mit dünner Sohle.

- Immer in die Mitte des Sprungtuchs springen.
- Tragen Sie während des Springens keine Kleidungsstücke oder Gegenstände bei sich, die sich verhaken können.
- Das Trampolin muss ebenerdig und auf einer rutschfesten Oberfläche aufgestellt sein.
- Das Sprungtuch nicht mit einem Sprung verlassen.
- Das Gerät kann von starkem Wind fortgetragen werden. Ergibt sich absehbar eine sehr windige Wetterlage, bringen Sie das Trampolin an einem windgeschützten Platz unter oder verankern Sie es im Boden.
- Nicht benutzen, wenn das Sprungtuch nass ist.
- Vermeiden Sie generell, dass Gerät im vollmontierten Zustand zu bewegen. Sollte es zwingend erforderlich sein, dass Gerät im montieren Zustand zu bewegen, sollten mindesten 4 kräftige Personen hinzugezogen werden, die das Trampolin mit horizontal ausgerichteter Sprungmatte sicher bewegen.
- Bauen Sie das Gerät nicht in der Nähe von Wasser auf und achten Sie auf ausreichende Abstände zu Häusern etc..
- Achten Sie darauf, dass sich keine Personen während der Nutzung unter dem Trampolin aufhalten.
- Legen Sie keine Gegenstände unter das Trampolin.
- Achten Sie vor der Nutzung darauf, dass die Sprungmatte sauber und nicht feucht ist. Defekte Sprungmatten sind nicht zu nutzen und zu ersetzen.
- Nutzen Sie das Trampolin nicht im alkoholisierten Zustand oder unter dem Einfluss von Medikamenten.
- Das Trampolin muss so aufgestellt werden, dass ausreichend Freiraum ab der Sprungmatte nach oben gegeben sind.
- Stellen Sie das Trampolin keinesfalls in gefährlichen Umgebungsbedingungen – etwa in der Nähe von Bäumen, Strommasten, Leitungen, Zäunen etc. auf.
- Vermeiden Sie, dass das Gerät unter Strom gesetzt wird.
- Achten Sie immer darauf. Dass der Reisverschluss des Sicherheitsnetzes geschlossen und eingehakt ist.
- Springen Sie nicht mit Absicht in das Sicherheitsnetz.
- Vor dem Benutzen immer die Netzöffnung schließen.
- Während des Springens nicht essen



- Führen Sie als ungeübter Springer keine riskanten Manöver wie etwa Salti aus.

Ratschläge für den Aufbau

- Das Trampolin sollte von mindestens zwei geeigneten Erwachsenen mit aller Sorgfalt aufgebaut werden. Falls Fragen auftreten, wenden Sie sich an unser Service Center.
- Bevor Sie mit dem Aufbau beginnen, lesen Sie alle Instruktionen sorgfältig durch.
- Entfernen Sie alles Verpackungsmaterial und legen Sie alle Teile auf eine freie Stelle. Damit haben Sie einen Überblick, was den Zusammenbau wesentlich erleichtert.
- Vergleichen Sie die Teile mit der Teileliste und stellen Sie sicher, dass nichts fehlt.
- Der Umgang mit Werkzeugen sowie technische Arbeiten aller Art bergen immer ein gewisses Verletzungsrisiko. Seien Sie daher vorsichtig.
- Achten Sie auf eine gefahrenfreie Umgebung, zum Beispiel: Lassen Sie kein Werkzeug herumliegen.
- Achten Sie auch darauf, dass das Verpackungsmaterial, vor allen Dingen Folien und Plastiktüten, nicht in die Hände von Kindern gelangt (Erstickungsgefahr!). Entsorgen Sie das Verpackungsmaterial fachgerecht.
- Nachdem Sie das Trampolin entsprechend der Anleitung zusammengebaut haben, überprüfen Sie alle Schrauben und Muttern sowie alle übrigen Verbindungspunkte auf korrekten Sitz.
- Platzieren Sie das Trampolin auf einer flachen und ebenen Oberfläche mit mind. 2m Abstand zu anderen Hochbauten oder Barrieren, z. B. Zaun, Garage, Haus, Baumäste, Wäscheleinen oder elektrischen Kabeln.
- Das Trampolin muss vor der Benutzung sicher auf einem ebenen, festen und gleichförmigen Untergrund aufgestellt werden.
- Benutzen Sie das Trampolin nicht bei Regen, Wind oder Gewitter. Wir empfehlen, es bei schlechtem Wetter nicht im Freien stehen zu lassen.
- Der metallene Rahmen des Trampolins leitet Elektrizität. Achten Sie darauf, dass er nicht mit Strom (Vorsicht auch bei Gewitter) in Berührung kommt.
- Benutzen Sie das Trampolin nicht bei schlechter Beleuchtung.
- Auch sollten keine anderen Freizeitgeräte etc. unmittelbar in der Nähe aufbewahrt werden.

Wartungsanleitungen

- Verschleißteile sind Federn
Verspannung und deren Befestigung Befestigung der Abdeckung am Gerät Sprungtuch
- Schützen Sie das Trampolin gegen Feuchtigkeit und hohe Temperaturen.
- Hinweis, daß das Trampolin laufend auf seine Gebrauchstauglichkeit, z.B. zulässige Abnutzung der Verschleißteile, zu überwachen ist.
- Beachten Sie die folgende Anleitung. Es ist besonders wichtig, dass Sie zu Beginn jeder Saison und regelmäßig während der Nutzungssaison die Wartungshinweise befolgen.
- Eine regelmäßige Wartung ist erforderlich. Eine Vernachlässigung der regelmäßigen Wartung kann die Benutzer gefährden.
- Prüfen Sie alle Schrauben und Muttern auf Festigkeit und ziehen diese wenn nötig nach.
- Prüfen Sie, ob die Enden aller Sprungfedern noch intakt sind und sich nicht während der Nutzung lösen können.
- Überprüfen Sie alle Abdeckungen für Schrauben und scharfe Kanten. Ersetzen Sie diese bitte bei Bedarf.

- Das Trampolin darf nicht auf harten Oberflächen wie Asphalt, Beton etc. platziert werden.
- Wenn Selbstsicherungsmuttern oder Schrauben benutzt werden ist darauf zu achten, dass diese nur für den einmaligen Gebrauch geeignet sind und diese ersetzt werden müssen.
- Das Sicherheitsnetz sollte spätestens nach 1 Jahre ausgetauscht werden.
- Ein schlecht gewartetes Trampolin erhöht das Verletzungsrisiko. Bitte überprüfen Sie das Trampolin auf zerrissene oder abgenutzte Matten und Abdeckmatten, verbogenen Rahmen oder fehlende Teile, lose oder kaputte Federn, Gesamtstabilität. Vor jedem Gebrauch sollte das Trampolin inspiziert werden. Verschlossene oder defekte Teile müssen unverzüglich ersetzt werden. Bis zur vollständigen Wiederherstellung darf das Trampolin nicht benutzt werden.
- Wenn das Trampolin nicht benutzt wird, lagern Sie bitte das Trampolin in einem trockenen und sauberen Ort.

Maße:

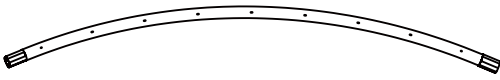
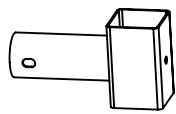
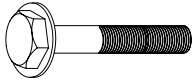
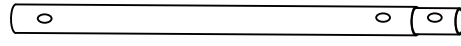
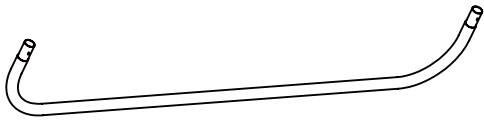
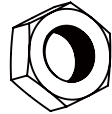
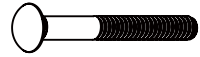
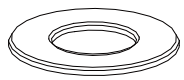

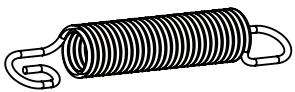
Modell	Gestell-Höhe	Höhe Sicherheitsnetz	Gesamt-Durchmesser	Gesamthöhe Gestell inklusive Sicherheitsnetz
403518	76cm	180cm	305cm	256cm
403519	80cm	180cm	366cm	260cm
403520	80cm	180cm	396cm	260cm
403521	80cm	180cm	427cm	260cm
403522	90cm	180cm	457cm	269cm

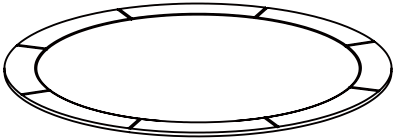
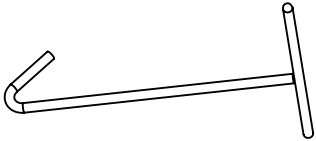

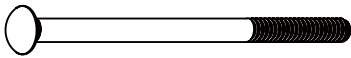
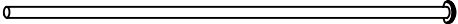
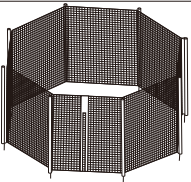
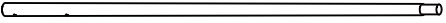
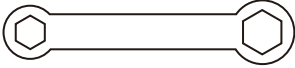
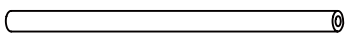
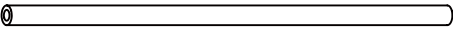
Montage

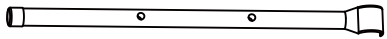
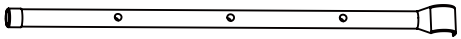
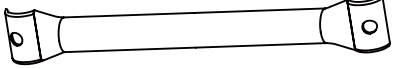

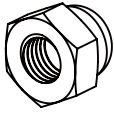
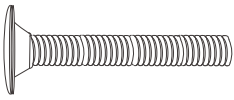
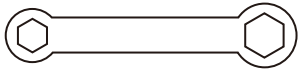
Achtung

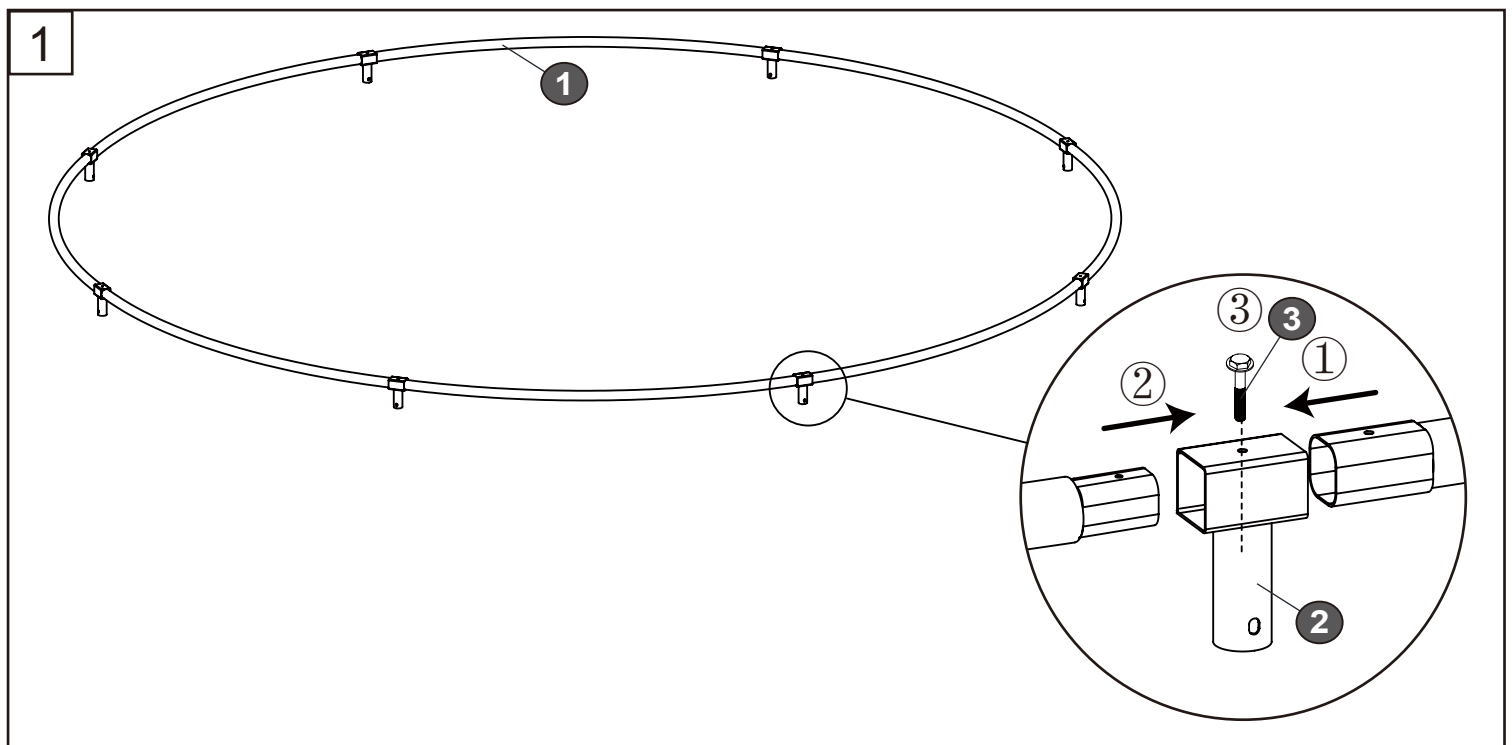
Um die verschiedenen Teile unterscheiden zu können, beziehen Sie sich bitte auf die Teileliste.

Achtung: Zwei erwachsene Personen in guter körperlichen Verfassung werden für die Montage benötigt. Zu Ihrer Sicherheit sollten Sie geeignete Schuhe und Kleidung tragen. Das Nichteinhalten der Instruktionen kann zu Verletzungen führen. Die Bilder können bei den verschiedenen Trampolinmodellen leicht variieren.

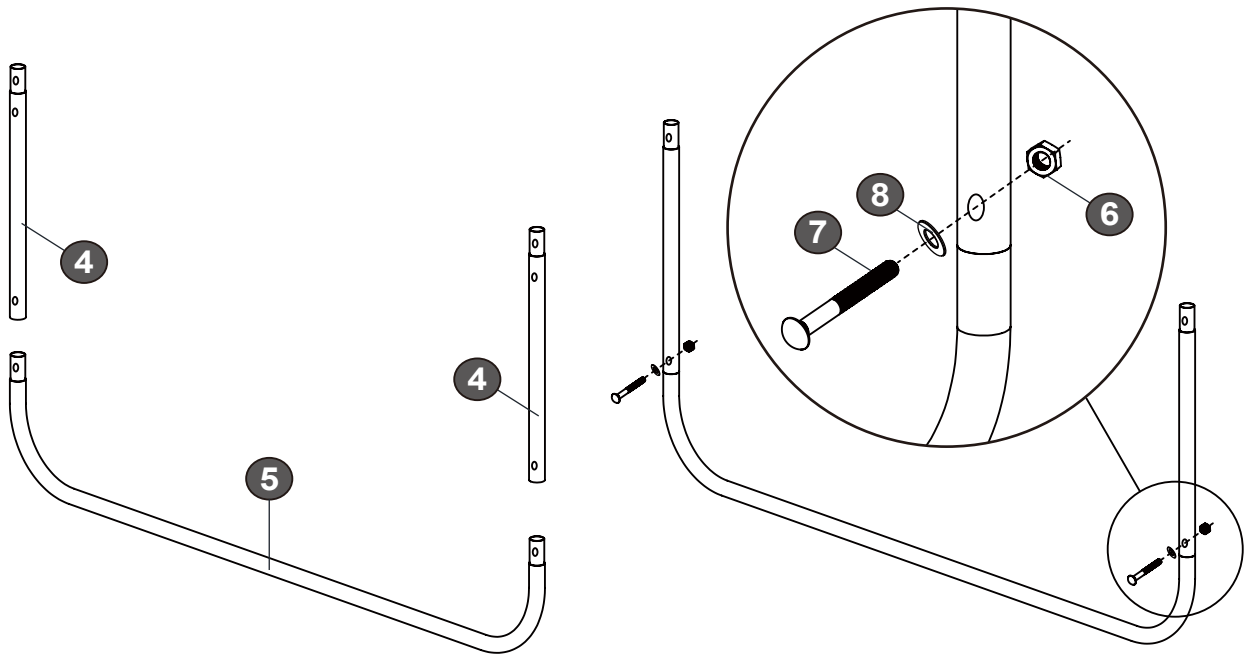
Lfd. Nr.	Teil	Bilder	403518	403519	403520	403521	403522	Anmerkung
1	Stange für Ring		6	8	8	10	10	403518 155,5cm 403519 144,5cm 403520 156,5cm 403521 136,5cm 403522 145,5cm
2	T-Stück		6	8	8	10	10	
3	Schraube		6	8	8	10	10	M8X50mm
4	Beinverlängerung		6	8	8	10	10	403518 51cm 403519 51cm 403520 51cm 403521 51cm 403522 61cm
5	Fuß		3	4	4	5	5	403518 151cm 403519 140cm 403520 153,5cm 403521 133,5cm 403522 140cm
6	Mutter		18	24	24	30	30	M6
7	Schraube		6	8	8	10	10	M6X45mm
8	Unterlegscheibe		18	24	24	30	30	Φ6X18X1mm
9	Sprungnetz		1	1	1	1	1	403518 2610mm 403519 3230mm 403520 3540mm 403521 3840mm 403522 4040mm
10	Federn		60	72	80	80	90	403518 14.5cm 403519 14.5cm 403520 14.5cm 403521 14.5cm 403522 18cm

Lfd. Nr.	Teil	Bilder	403518	403519	403520	403521	403522	Anmerkung
11	Abdeckpads		1	1	1	1	1	403518 3.05m 403519 3.66m 403520 3.96m 403521 4.27m 403522 4.57m
12	Federhaken		1	1	1	1	1	
13	Zwischenstück	 Φ3.0×145mm(28N)	12	16	16	20	20	
14	Schraube		12	16	16	20	20	M6X75mm
15	Obere Stange für Sicherheitsnetz		6	8	8	10	10	
16	Sicherheitsnetz		1	1	1	1	1	
17	Untere Stange für Sicherheitsnetz		6	8	8	10	10	
18	Schraubenschlüssel		1	1	1	1	1	
19	Schaumstoff kurz		6	8	8	10	10	
20	Schaumstoff lang		6	8	8	10	10	

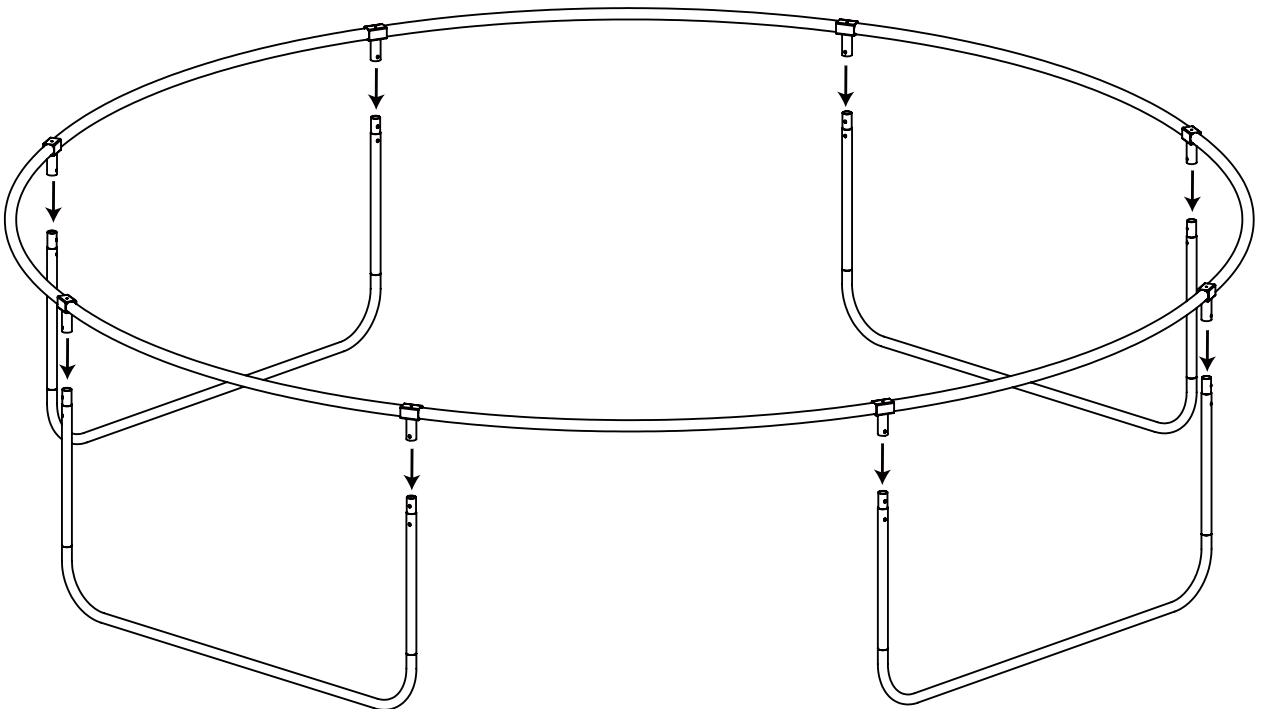
Lfd. Nr.	Teil	Bilder	403518	403519	403520	403521	403522	Anmerkung
21	Stange Leiter	403518 403519 403520 403521 (86cm) 	2	2	2	2	2	
		403522 (96cm) 						
22	Querstange Leiter		2	2	2	2	3	
23	Unterlegscheibe		4	4	4	4	6	
24	Mutter		4	4	4	4	6	M6
25	Schraube		4	4	4	4	6	M6X35
26	Schraubenschlüssel		1	1	1	1	1	



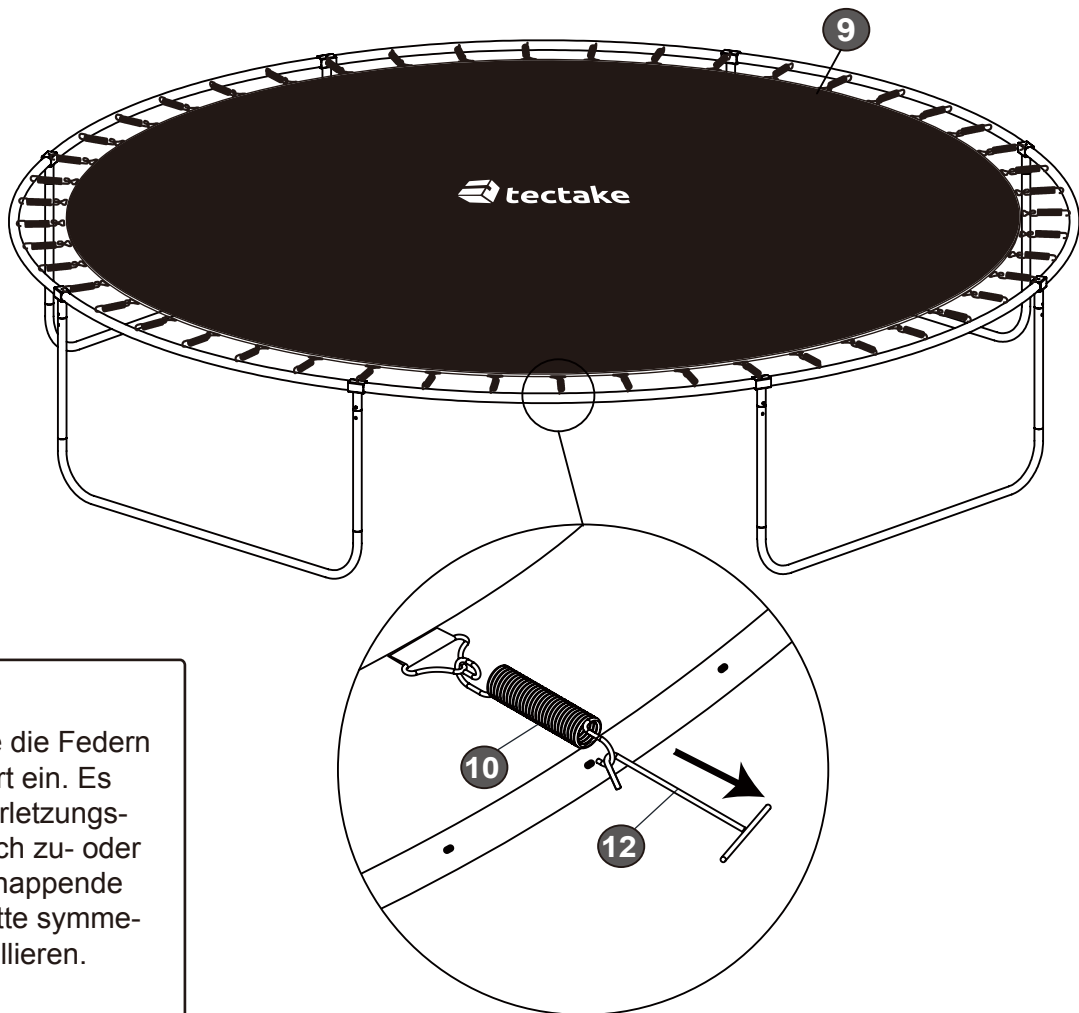
2



3

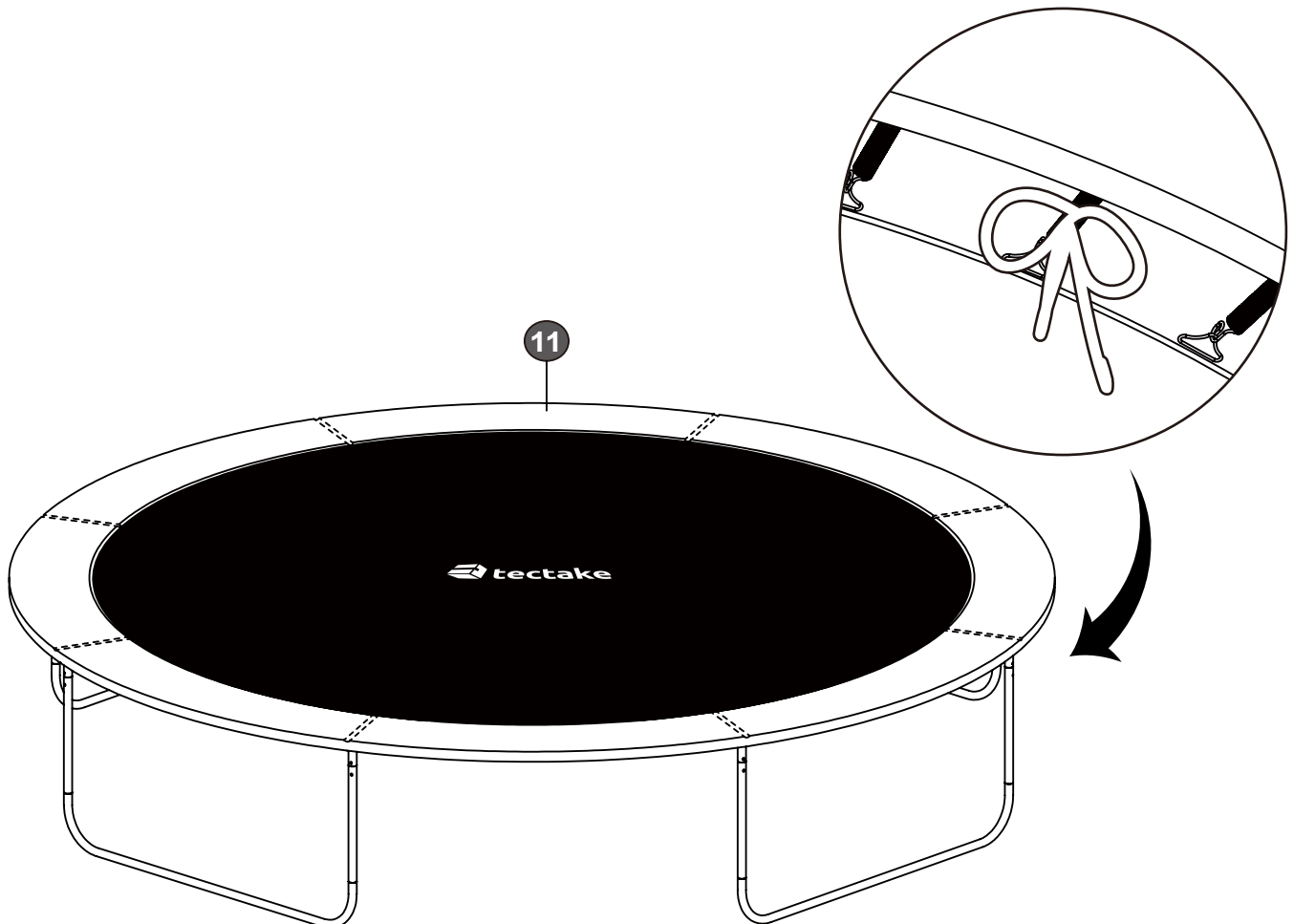


4

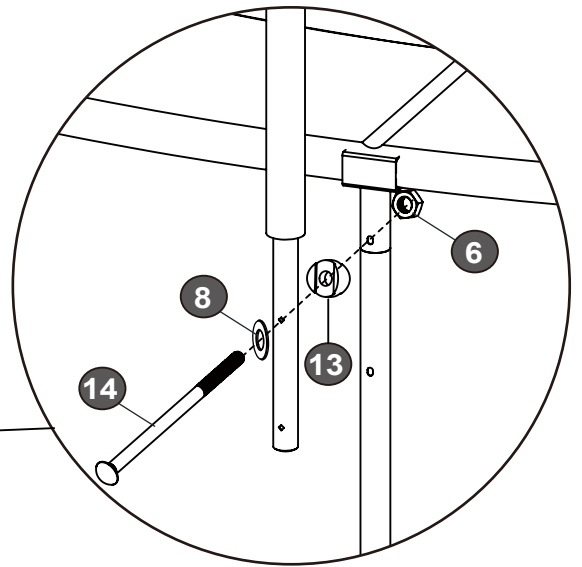
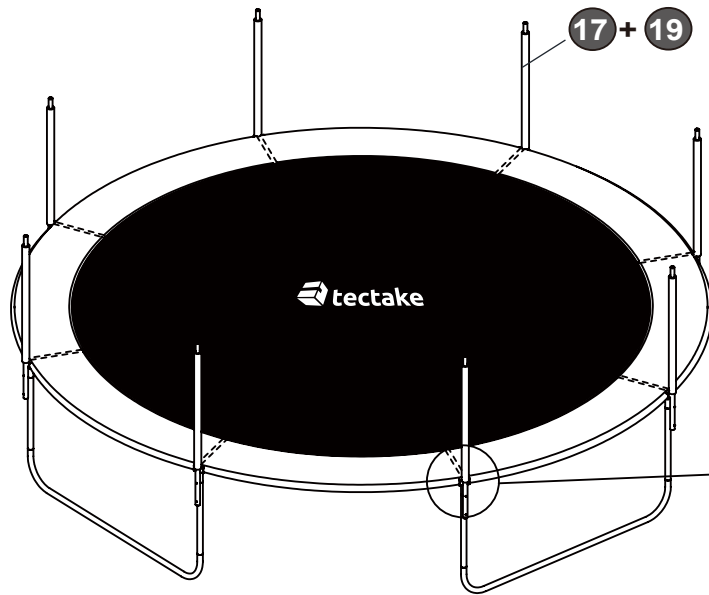
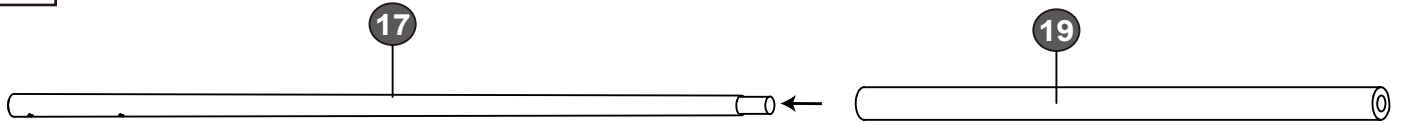
**Achtung!**

Setzen Sie die Federn konzentriert ein. Es besteht Verletzungsgefahr durch zu- oder zurückschnappende Federn. Bitte symmetrisch installieren.

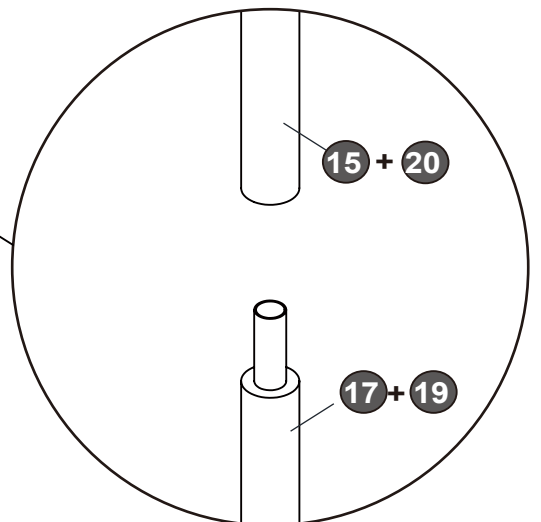
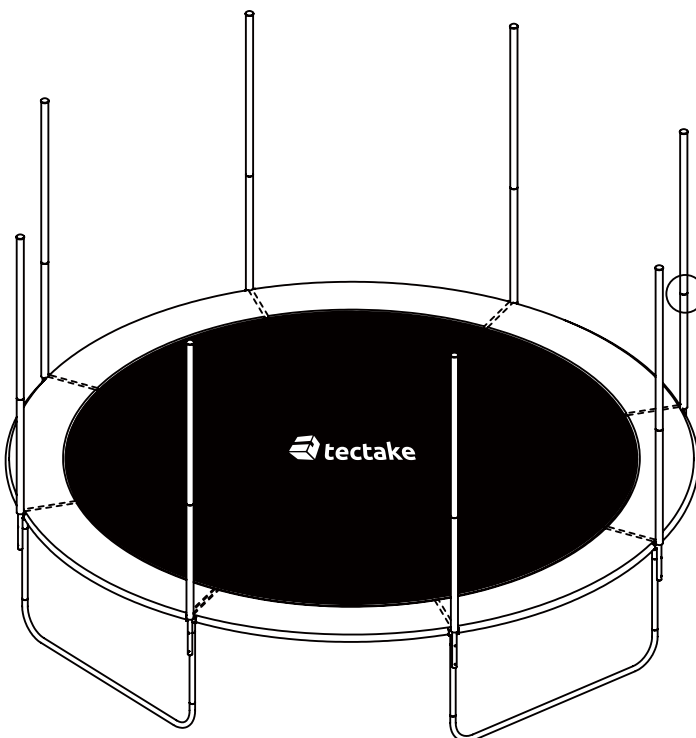
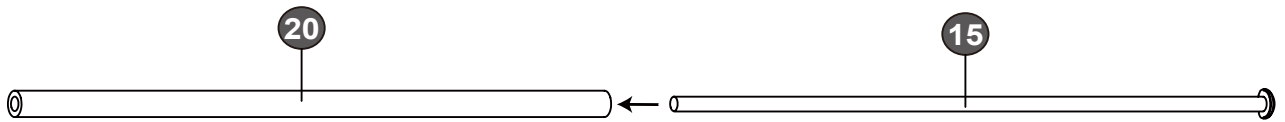
5

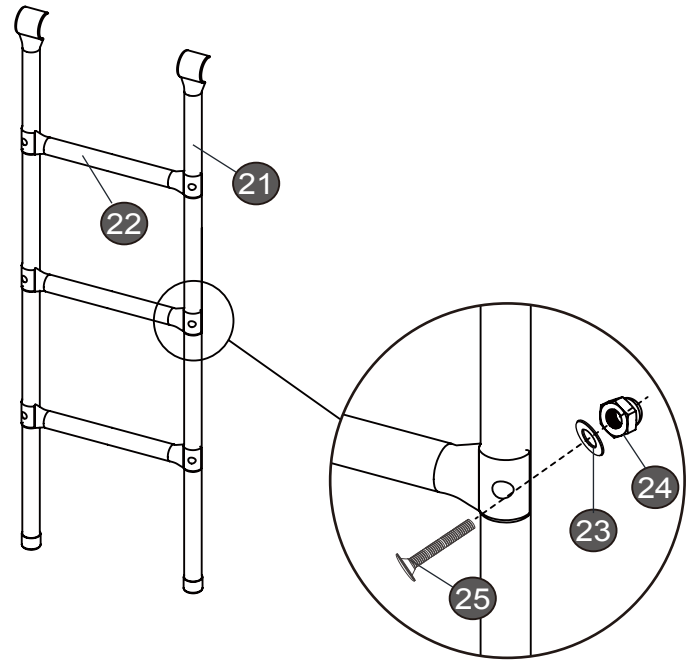
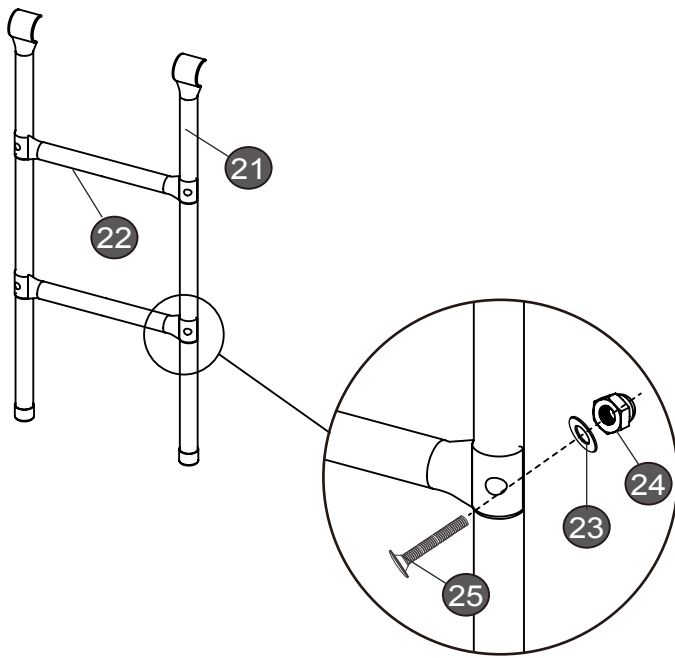


6

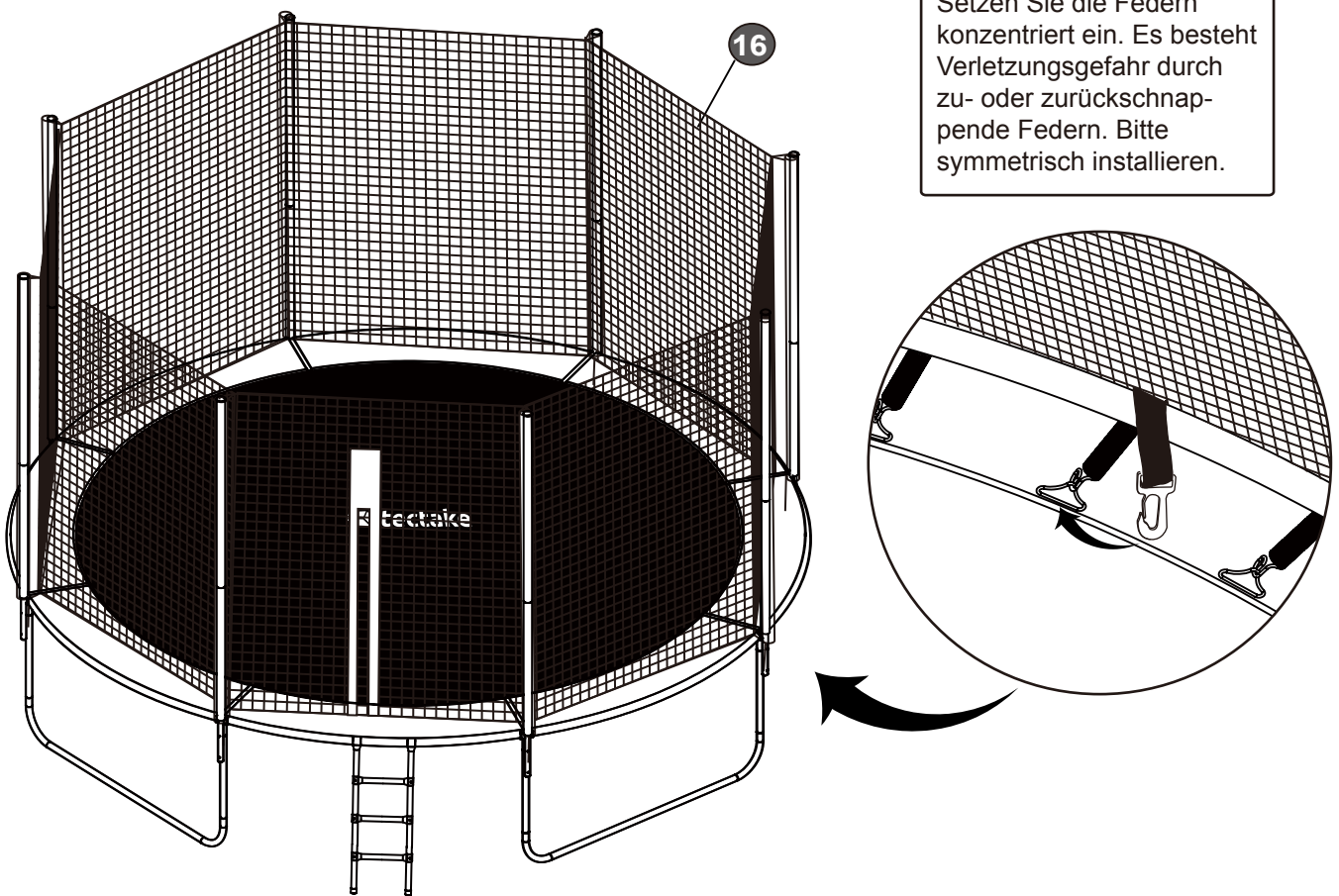


7



**Achtung!**

Setzen Sie die Federn konzentriert ein. Es besteht Verletzungsgefahr durch zu- oder zurückschnappende Federn. Bitte symmetrisch installieren.



Ziehen Sie den Reißverschluss der Eingangsöffnung des Sicherheits-netzes zu und haken sie alle Haken der Eingangsöffnung ein. Die Aufsichtsperson muss Reiß-verschluss und Haken kontrollieren, bevor das Trampolin benutzt werden kann.

Bevor Sie das Trampolin testen, lesen Sie bitte den Abschnitt „Ausprobieren des Trampolins“.

Zur Demontage folgen Sie bitte der Aufbauanleitung in umgekehrte Reihenfolge.

Ausprobieren des Trampolins

Nach der Montage des Trampolins ist es dringend erforderlich, dass Sie die folgenden Sicherheitschecks/Überprüfungen durchführen:

Überprüfung des Trampolins:

- Versichern Sie sich mit Hilfe eines Schraubenziehers, dass alle Schrauben fest angezogen sind.
- Schauen Sie unter das Trampolin und überprüfen Sie, ob alle Federn sicher im Rahmen und in den Dreiecks-Ösen des Sprungtuches eingehakt sind.
- Wackeln Sie am Trampolin und prüfen Sie die Stabilität des Rahmens und die Standfestigkeit. Der Boden muss eben sein.
- Stellen Sie sicher, dass die Abdeckmatten die Federn und den Rahmen komplett bedecken und mit den Bändern sicher befestigt sind.

Überprüfung des Sicherheitsnetzes:

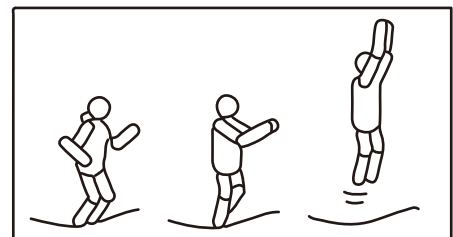
- Überprüfen Sie die Haltestangen auf festen Halt.
- Sehen Sie sich Material und Nähte des Netzes und der Einsteckhülsen genau an. Sie müssen einwandfrei sein.
- Kontrollieren Sie Reißverschluss und Haken des Eingangs auf einwandfreie Funktion.
- Schauen Sie nach, ob alle Haken unterhalb des Trampolins in den Dreiecks-Ösen eingehängt sind.

Basissprungtechniken

Da die Gefahr einer Verletzung bei ungeübten Springern sehr hoch ist, ist es wichtig, dass Sie die Basissprungtechniken erlernen.

Der Basissprung

- Start aus stehender Position, Füße schulterbreit auseinander, Augen auf die Matte
- Schwingen Sie Ihre Arme nach vorne und in einer Kreisbewegung herum.
- Bringen Sie Ihre Füße in der Luft zusammen und strecken Sie die Zehenspitzen nach unten.
- Bei der Landung sind die Füße schulterbreit auseinander.



Das Abbrechmanöver

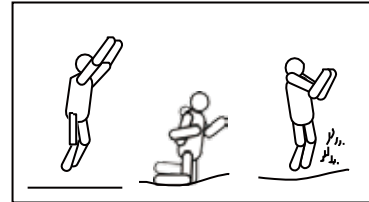
- Gelegentlich verliert der Springer die Kontrolle über seinen Sprung. Durch das Ausführen des Abbrechmanövers kann der Springer die Kontrolle über den Sprung und sein Gleichgewicht wiedergewinnen.
- Beginnen Sie mit einem Basissprung.
- Bei der Landung ziehen Sie Ihre Knie an. So können Sie Ihren Sprung abbrechen.

Der Hand-/Kniesprung

- Beginnen Sie mit einem niedrigen kontrollierten Basissprung.
- Landen Sie auf Ihren Händen und Knien, lassen Sie dabei den Rücken gerade.
- Achten Sie auf eine gute 4-Punkt-Landung. Die Höhe sollte keine Rolle spielen.

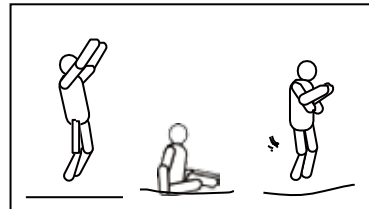
Kniesprung

- Beginnen Sie mit einem niedrigen kontrollierten Basissprung.
- Landen Sie auf Ihren Knien, halten Sie dabei den Körper aufgerichtet, den Rücken gerade. Benutzen Sie Ihre Arme, um das Gleichgewicht zu halten.
- Springen Sie zurück in die Grundposition, indem Sie Ihre Arme aufwärts schwingen.



Sitzsprung

- Landen Sie in einer flachen Sitzposition.
- Setzen Sie Ihre Hände neben Ihre Hüften auf.
- Bringen Sie sich wieder in aufrechte Position, indem Sie sich mit den Händen abdrücken.



Trainingsplan

Befolgen Sie den Trainingsplan, um die Basissprünge zu erlernen, bevor Sie sich an schwierigere Sprünge wagen. Sie sollten die Sicherheitshinweise gründlich lesen und sich über ihre Notwendigkeit im Klaren sein, bevor Sie mit dem Training beginnen. Aufsichtsperson und Nutzer sollten sowohl die Trampolin-Richtlinien als auch die Körperfunktionen gründlich besprechen.

1.Übungsstunde

- Auf- und Absteigen – Darstellung sauberer Techniken
- Basissprung – Demonstration und Praxis
- Abbrechmanöver – Demonstration und Praxis
- Hand-/Kniesprung – Demonstration und Praxis

2.Übungsstunde

- Wiederholung der letzten Stunde
- Kniesprung – Demonstration und Praxis
- Sitzsprung – Demonstration und Praxis
- Damit Sie Routine erlangen, beginnen Sie mit einem Sitzsprung und schließen Sie einen Kniesprung an.

3.Übungsstunde

- Wiederholen Sie, was Sie in den vorhergehenden Stunden gelernt haben.

Nach Absolvierung dieser Übungsstunden verfügen Sie über Basiskenntnisse. Achten Sie in Zukunft stets auf Kontrolle und Ausführung Ihrer Sprünge.

Folgendes Spiel kann gespielt werden, um die Nutzer nach und nach an das Trampolin zu gewöhnen: Spieler eins beginnt mit einem Sprung, Spieler zwei wiederholt diesen Sprung und fügt einen weiteren hinzu. Die Spieler wechseln sich ab und fügen jeweils einen weiteren Sprung hinzu. Der, der alle Sprünge bis zuletzt ausführt, ist der Sieger. Auch hier ist es wichtig, dass alle Sprünge kontrolliert gesprungen werden.

Versuchen Sie keine allzu schwierigen Sprünge, die Sie nicht beherrschen. Falls Sie Ihr Können weiter verbessern wollen, sollten Sie einen ausgebildeten Trampolinlehrer aufsuchen.

Dehnübungen

Tägliches Trampolinspringen kann Ihre Gesundheit fördern. Vorher sollten Sie sich jedoch dehnen. Dehnübungen entspannen und können Muskelverspannungen lockern. Sie beugen ernsthaften Muskelverletzungen während des Trainings vor. Es ist daher wichtig, dass Dehnübungen in Ihr Übungsprogramm mit aufgenommen werden. Aber bitte denken Sie daran, erst mit dem Dehnen zu beginnen, nachdem Sie sich warm gemacht haben.

Die folgenden Übungen sind Beispiele, die Sie vor dem Training absolvieren sollten. Machen Sie alle Bewegungen langsam und weich, bis Sie ein leichtes Ziehen in Ihren Muskeln verspüren. Vielleicht möchten Sie nach einer Zeit die Intensität Ihrer Dehnungen erhöhen, doch bitte nicht, bis es schmerzt und hören Sie nicht ruckartig auf, sonst könnten die Muskelfasern reißen. Halten Sie jede Übung zwischen 10 und 20 Sekunden. Atmen Sie dabei langsam ein und aus.

Wade

- Stellen Sie sich 90 cm entfernt vor eine Wand, stellen Sie ein Bein 30 cm nach vorn, winkeln Sie dabei beide Beine an und stützen Sie sich mit den Händen ab. Halten Sie Ihre Fersen am Boden und drehen Sie die Füße leicht nach innen (niedrige Intensität).
- Oder lassen Sie das hintere Bein gestreckt und bringen Sie das andere Bein 60 cm nach vorn. Stützen Sie sich mit den Händen ab. Halten sie Ihre Fersen am Boden und drehen Sie die Füße leicht nach innen (höhere Intensität).
- Wiederholen Sie dies mit dem anderen Bein.

Außenband

- Treten Sie mit dem Bein, das gedehnt werden soll, einen Schritt zurück hinter den Fuß des anderen Beines. Bewegen Sie Ihre Hüften gegen die Wand, jedoch nicht den Oberkörper. Beugen Sie sich nicht nach vorne. Wiederholen Sie das Ganze mit dem anderen Bein.

Unterer Rücken, Hüften, Leiste, Oberschenkelmuskel

- Stellen Sie Ihre Füße schulterbreit auseinander. Neigen Sie sich aus den Hüften nach vorne. Halten Sie dabei die Knie etwas angewinkelt.

Seiten

- Die Füße stehen schulterbreit auseinander. Die Knie bleiben immer etwas angewinkelt. Legen Sie Ihre linke Hand auf Ihre Hüfte, strecken Sie den rechten Arm aus und führen ihn über den Kopf. Dehnen Sie Ihren Oberkörper langsam nach links (niedrige Intensität).
- Oder strecken Sie beide Arme über den Kopf, die linke Hand zieht am rechten Arm. Beugen Sie Ihren Oberkörper langsam nach links (höhere Intensität).
- Wiederholen Sie das Ganze mit der anderen Seite.

Oberschenkel außen

- Legen Sie sich flach auf den Bauch und ziehen Sie die Ferse des linken Beines mit der rechten Hand an das Gesäß. Halten Sie dabei einen bequemen Abstand zum ausgestreckten Bein.
- Die selbe Dehnung kann auch im Stehen ausgeübt werden. Dabei darf weder Oberschenkel noch Oberkörper nach vorne gebeugt werden.
- Wiederholen Sie dies mit dem anderen Bein.

Oberschenkel innen

- Setzen Sie sich auf den Boden mit den Fußsohlen aneinander. Drücken Sie die Knie leicht mit den Ellbogen nach unten.
- Stellen Sie Ihre Füße 90 – 120 cm auseinander und drehen Sie sich leicht nach außen. Halten Sie ein Bein gerade und beugen Sie sich über das andere Knie.
- Wiederholen Sie dies auf der anderen Seite.

Oberschenkel hinten

- Beugen Sie ein Knie an. Das andere Bein ist gestreckt. Versuchen Sie mit beiden Händen die Zehenspitzen des ausgestreckten Beines zu fassen.
- Wiederholen Sie diese Übung mit dem anderen Bein.

Gesäßmuskel

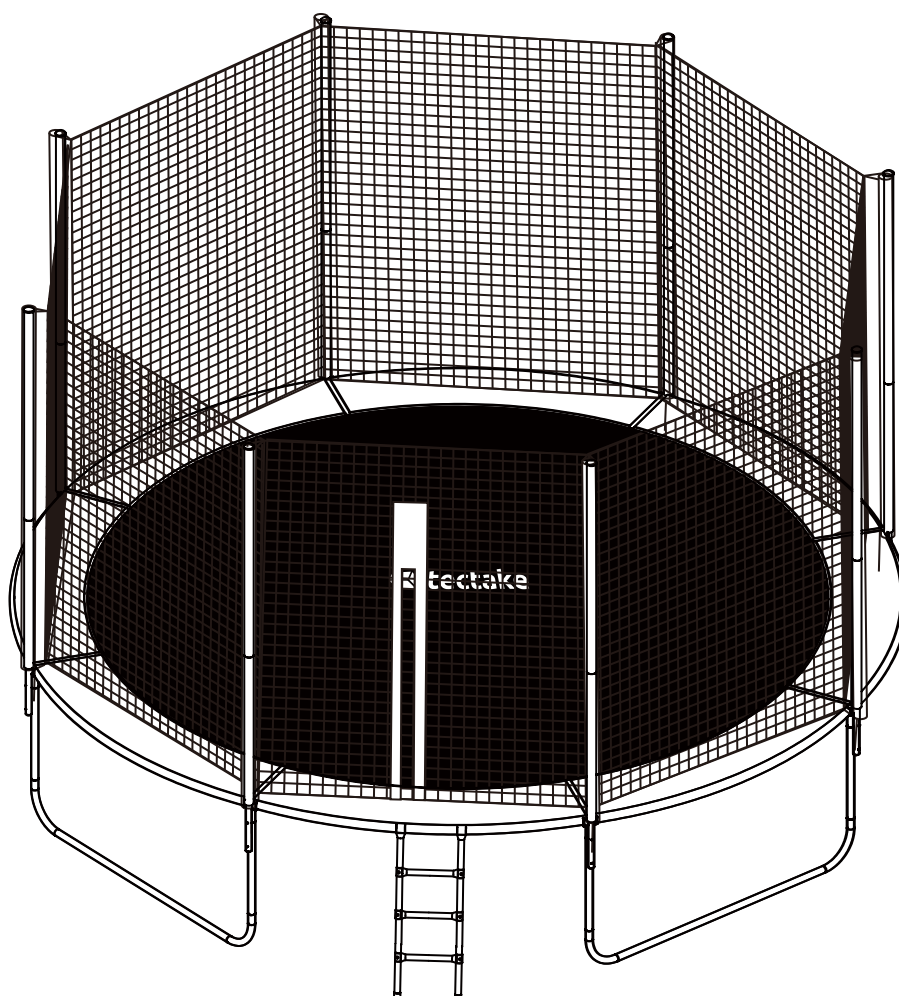
- Legen Sie sich auf den Rücken. Ziehen Sie ein Knie an Ihre Brust, während das andere Bein flach auf dem Boden liegen bleibt. Das Gleiche kann man auch im Stehen machen.
- Wiederholen Sie dies mit dem anderen Bein.

Schienbein

- Verlagern Sie Ihr Körpergewicht auf ein Bein. Strecken Sie das andere Bein nach vorn, bewegen Sie das Fußgelenk auf und nieder.
- Wiederholen Sie diese Übung mit dem anderen Bein.

NOTICE D'UTILISATION

Trampoline



**Attention ! Ne convient pas aux enfants de moins de 36 mois Notice de montage/d'utilisation
L'utilisation du trampoline est aux risques de l'utilisateur !
L'installateur est responsable de l'état convenable du trampoline!**

INTRODUCTION

Avant d'utiliser le trampoline, veuillez lire attentivement cette brochure d'information. Comme dans toute autre activité sportive, le risque de blessure existe aussi ici. Afin de réduire le risque de blessure le plus possible, veuillez suivre les règles de sécurité nécessaires.

- Cette notice fait partie du produit; veuillez par conséquent la conserver pour la consulter ultérieurement. Si un jour vous voulez donner le produit à une autre personne, veuillez joindre cette notice d'utilisation.
- La mauvaise utilisation du trampoline est dangereuse et peut entraîner des blessures graves ou la mort.
- Les trampolines permettent à l'utilisateur de sauter à des hauteurs souvent inhabituelles et nécessitent donc de maîtriser son corps.
- Avant chaque utilisation, vérifiez la stabilité du tapis de saut et assurez-vous qu'aucune pièce n'est desserrée.
- Vous trouverez dans cette brochure les conseils de montage et d'assemblage correct du trampoline, des conseils de sécurité et les bonnes techniques de saut. Les utilisateurs et personnes de surveillance doivent lire et se familiariser avec ces conseils. Toute personne utilisant ce trampoline doit connaître ses propres limites physiques et n'exécuter que des sauts correspondant à ses capacités individuelles.
- Le trampoline n'est pas prévu pour être encastré dans le sol

Petits objets/Emballages (sachets en plastique, carton, etc.)

- Conservez les petits objets (p.ex. vis et autre matériel de montage, cartes mémoires) et emballages hors de portée des enfants pour qu'ils ne les avalent pas. Ne laissez pas les enfants en bas âge jouer avec du film plastique. Il y a risque d'étouffement!
- Ne posez aucune source de flammes nues, p.ex. des bougies allumées, sur l'appareil.

Utilisation conforme

- Cet appareil sert à l'activité physique par le saut.
- Il est exclusivement prévu à cette fin et ne doit être utilisé qu'à cette fin. Il ne peut être utilisé que de la manière décrite dans cette notice d'utilisation.
- Cet appareil n'est pas destiné à être utilisé par des personnes (y compris des enfants) avec des capacités physiques, sensorielles ou mentales restreintes ou ne disposant pas d'expérience et/ou de savoir-faire, sauf si elles sont surveillées par une personne responsable de leur sécurité ou ont reçu de cette personnes des indications sur l'utilisation de l'appareil. Les enfants doivent être surveillés pour s'assurer qu'ils ne jouent pas avec l'appareil.

Réparations

- Les réparations sur l'appareil ne doivent être réalisées que par des professionnels agréés.
- Une transformation ou modification du produit altère la sécurité de l'équipement. Attention risque de blessure!
- N'ouvrez jamais le produit de votre propre chef et n'exécutez jamais de réparations vous-même!
- Un assemblage incorrect peut entraîner des dysfonctionnements ou une défection totale.
- N'ouvrez l'appareil en aucun cas.
- Aucune responsabilité n'est assumée pour tout dommage qui en résulterait. Sous réserve de modifications et d'erreurs techniques!
- La garantie n'est pas valable en cas d'interventions extérieures sur l'appareil.

Consignes de sécurité

Veillez lire cette notice d'utilisation attentivement et entièrement avant utilisation. Un assemblage et une utilisation inappropriés peuvent entraîner des blessures. Vérifiez l'assemblage du trampoline avant chaque utilisation. En cas de doute quant à la sécurité de la construction, l'appareil ne doit pas être utilisé.

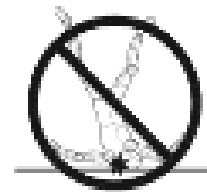
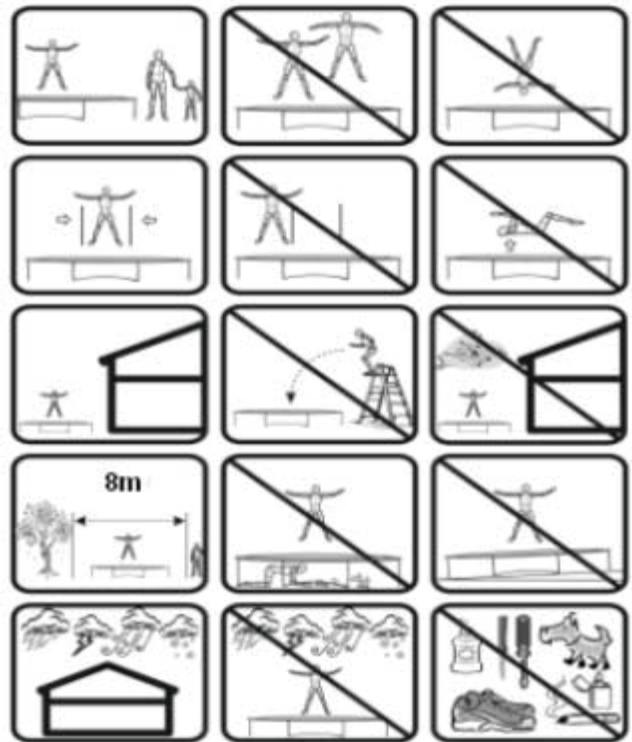
L'appareil ne convient pas aux enfants de moins de 3 ans. Veillez à ce que les enfants de moins de 3 ans n'aient pas accès au trampoline.

Poids maximum de l'utilisateur : 150kg

Attention !

- L'appareil doit toujours - et indépendamment de l'âge - être utilisé sous surveillance.
- Faites une pause toutes les 20 minutes.
- Les enfants ne peuvent utiliser l'appareil que sous surveillance et doivent être dirigés par des adultes avant utilisation.
- S'ils ne sont pas habitués au trampoline, familiarisez-les avec la physique du trampoline et du saut sur trampoline.
- Avant d'utiliser le trampoline, videz ses poches et ses mains.
- Le trampoline ne doit être utilisé que par une personne. Risque de collision.
- Quitter ses chaussures; les chaussons de gymnastique avec une semelle fine sont possibles aussi.

- Toujours sauter au milieu du tapis de saut.
- Pendant les sauts, ne portez sur vous aucun vêtement ou objet susceptible de s'accrocher.
- Le trampoline doit être installé au ras du sol, sur une surface antidérapante.
- Ne pas quitter le tapis de saut en sautant.
- L'appareil peut être emporté par un vent fort. En cas de conditions venteuses prévues, déplacez le trampoline dans un endroit à l'abri du vent ou fixez-le dans le sol.
- Ne pas utiliser quand le tapis de saut est mouillé.
- Evitez en règle générale de déplacer l'appareil entièrement monté. S'il est absolument nécessaire de déplacer l'appareil monté, il faut faire appel à au moins 4 personnes fortes pour le déplacer en toute sécurité en gardant le tapis de saut à l'horizontale.
- N'installez pas l'appareil à proximité d'une étendue d'eau et veillez à ce que les espaces avec les maisons soient suffisants, etc..
- Veillez à ce que personne ne se trouve sous le trampoline lorsqu'il est utilisé.
- Ne posez pas aucun objet sous le trampoline.
- Avant emploi, veillez à ce que le tapis de saut soit propre et sec. Les tapis de saut défectueux ne doivent pas être utilisés et doivent être remplacés.
- N'utilisez pas le trampoline en état d'ébriété ou sous l'emprise de médicaments.
- Le trampoline doit être installé de sorte à avoir suffisamment d'espace libre à partir du tapis de saut vers le haut.
- N'installez le trampoline en aucun cas dans un environnement dangereux - par exemple à proximité d'arbres, de pylônes, de lignes électriques, de clôtures, etc.
- Evitez de mettre l'appareil sous tension.
- Veillez toujours à ce que la fermeture zippée du filet de sécurité soit fermée et accrochée.
- Ne sautez pas volontairement dans le filet de sécurité.
- Avant l'utilisation, fermer toujours l'ouverture du filet.
- Ne pas manger en sautant



- Si vous manquez d'entraînement, n'exécutez pas de sauts risqués, par exemple des saltos.

Conseils de montage

- Le trampoline doit être monté avec le plus grand soin par au moins 2 adultes appropriés. Pour toute question, adressez-vous à notre service clients.
- Avant de commencer le montage, lisez attentivement toutes les instructions.
- Retirez les emballages et posez toutes les pièces sur une surface libre. Vous avez ainsi un aperçu d'ensemble ce qui facilite l'assemblage considérablement.
- Comparez les pièces avec la liste et assurez-vous que rien ne manque.
- Le maniement d'outils et les travaux techniques de toute sorte comportent toujours un certain risque de blessures. Par conséquent, soyez prudent.
- Veillez à ce que votre environnement ne soit pas dangereux, par exemple : ne laissez pas traîner d'outils.
- Veillez à ce que les emballages, surtout les films et sacs en plastique, ne parviennent pas dans les mains d'enfants (risque d'étouffement!). Éliminez correctement les emballages.
- Une fois le trampoline assemblé conformément à la notice, vérifiez que toutes les vis et écrous ainsi que tous les autres points de raccord soient correctement posés.
- Installez le trampoline sur une surface plate et plane avec au moins 2m d'espace avec d'autres constructions en hauteur ou barrières, p.ex. clôture, garage, maison, branches d'arbres, cordes à linge ou câbles électriques.
- Avant utilisation, le trampoline doit être installé sur un sol plat, solide et uniforme.
- N'utilisez pas le trampoline en cas de pluie, de vent ou d'orage. Nous recommandons de ne pas le laisser à l'extérieur en cas de mauvais temps.
- Le cadre en métal du trampoline conduit l'électricité. Veillez à ce qu'il ne vienne pas en contact avec le courant (attention aussi en cas d'orage).
- N'utilisez pas le trampoline en cas de mauvais éclairage.
- Ne conserver non plus aucun autre équipement de loisirs, etc. à proximité immédiate.

Instructions d'entretien

- Les ressorts sont des pièces d'usure
Tendeurs et leur fixation Fixation de la protection sur l'appareil Tapis de saut
- Protégez le trampoline de l'humidité et des températures élevées.
- Il faut sans cesse vérifier l'aptitude du trampoline à être utilisé, p.ex. en surveillant l'usure admissible des pièces d'usure.
- Suivez les instructions suivantes. Il est très important de suivre les instructions d'entretien au début de chaque saison et régulièrement pendant la saison d'utilisation.
- Un entretien régulier est nécessaire. Une négligence dans l'entretien régulier peut mettre les utilisateurs en danger.
- Vérifiez la solidité de toutes les vis et écrous et resserrez-les si nécessaire.
- Vérifiez que les extrémités de tous les ressorts sont encore intactes et ne peuvent pas se détacher pendant l'utilisation.
- Vérifiez toutes les protections des vis et les bordures tranchantes. Veuillez les remplacer si besoin.

- Le trampoline ne doit pas être installé sur des surfaces dures telles que l'asphalte, le béton, etc.
- En cas d'utilisation d'écrous autobloquants ou de vis, il faut noter qu'ils ne conviennent qu'à un usage unique et doivent être changés.
- Le filet de sécurité doit être changé au plus tard après une année.
- Un trampoline mal entretenu augmente le risque de blessures. Veuillez vérifier si le tapis et tapis de protection sont déchirés ou usés, si le cadre est tordu ou si des pièces manquent, si des ressorts sont détachés ou cassés, la stabilité d'ensemble. Le trampoline doit être passé en revue avant chaque utilisation.
- Les pièces usées ou défectueuses doivent être immédiatement remplacées. Le trampoline ne doit pas être utilisé jusqu'à sa totale remise en état.
- Si le trampoline n'est pas utilisé, entreposez-le dans un endroit sec et propre.

Dimensions :

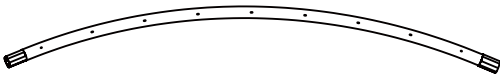
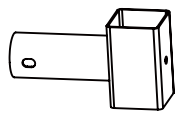
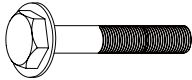
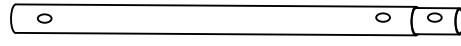

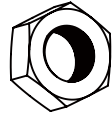
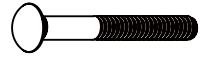
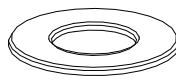

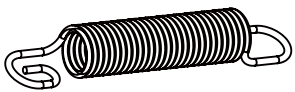
Modèle	Hauteur de la structure	Filet de sécurité	Diamètre total	Hauteur totale de la structure filet de sécurité inclus
403518	76cm	180cm	305cm	256cm
403519	80cm	180cm	366cm	260cm
403520	80cm	180cm	396cm	260cm
403521	80cm	180cm	427cm	260cm
403522	90cm	180cm	457cm	269cm

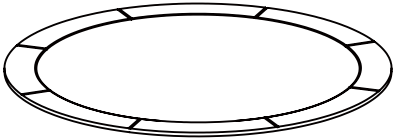
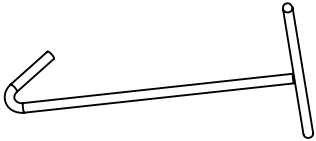

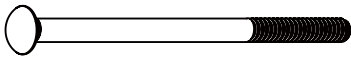
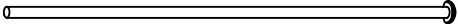
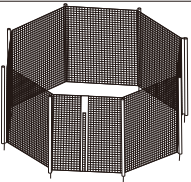
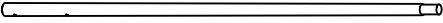
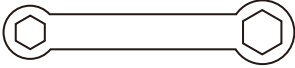

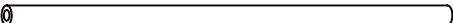
Montage

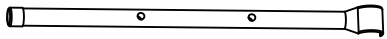
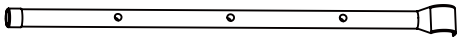
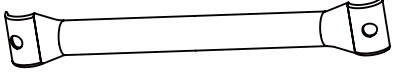

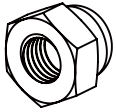
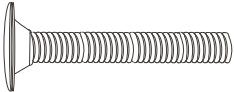
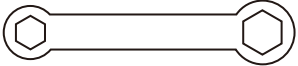
Attention

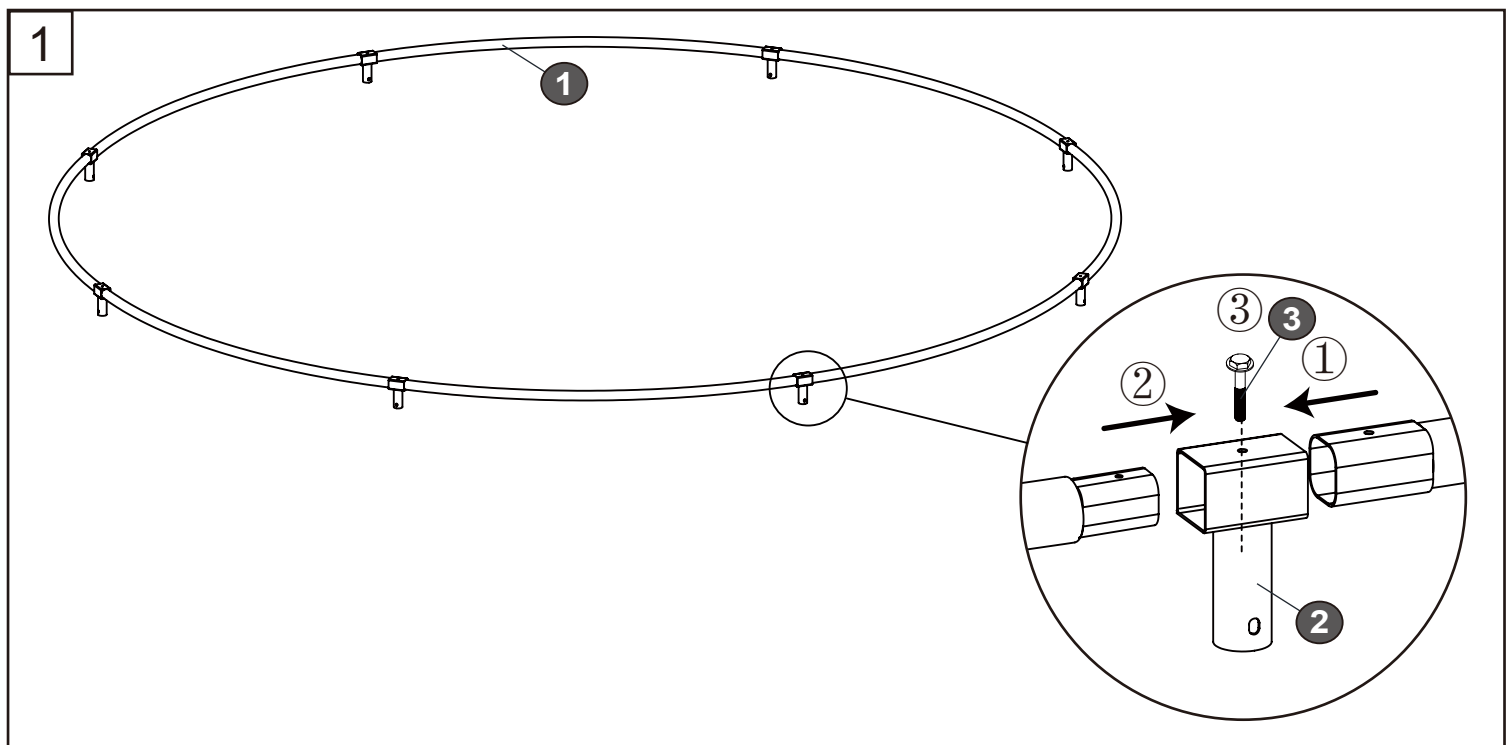
Pour pouvoir différencier les différentes parties, veuillez vous référer à la liste des pièces.

Attention : Deux personnes adultes en bonne condition physique sont nécessaires pour le montage. Pour votre sécurité, portez des chaussures et des vêtements appropriés. Le non-respect des instructions peut entraîner des blessures. Les photos peuvent légèrement varier pour les différents modèles de trampoline.

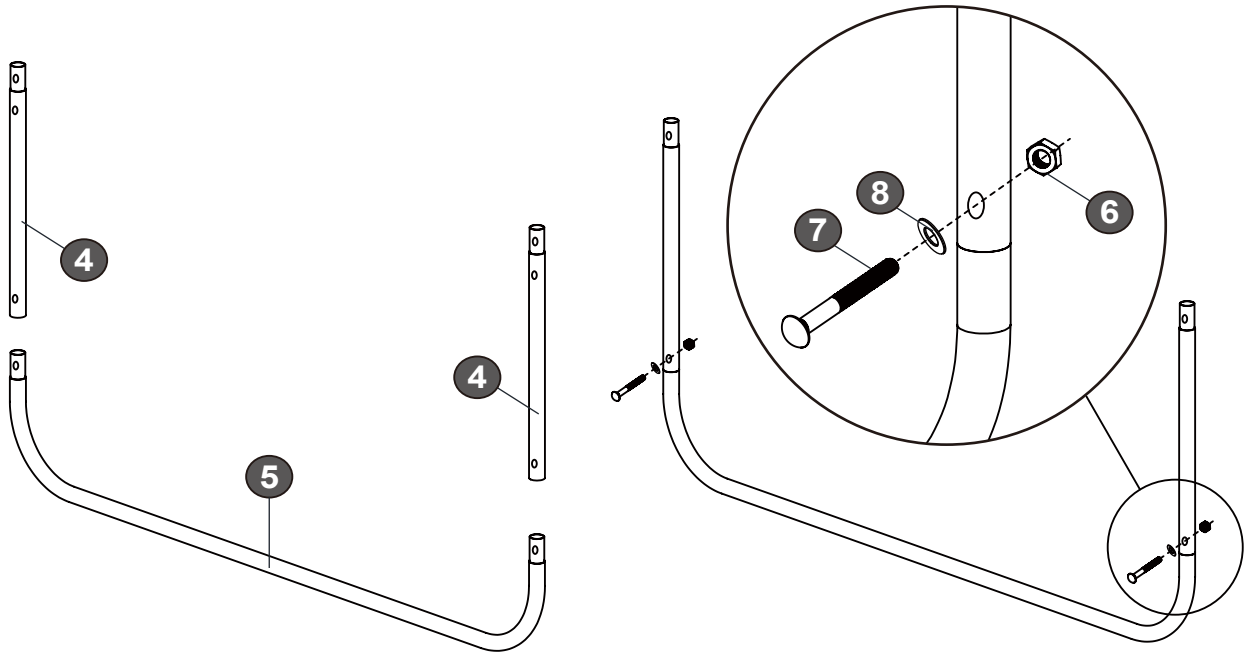
N° de série	Pièce de rechange	Photos	403518	403519	403520	403521	403522	Remarque
1	CADRE SUPÉRIEUR		6	8	8	10	10	403518 155,5cm 403519 144,5cm 403520 156,5cm 403521 136,5cm 403522 145,5cm
2	RACCORD		6	8	8	10	10	
3	VIS		6	8	8	10	10	M8X50mm
4	RALLONGE		6	8	8	10	10	403518 51cm 403519 51cm 403520 51cm 403521 51cm 403522 61cm
5	PIED		3	4	4	5	5	403518 151cm 403519 140cm 403520 153,5cm 403521 133,5cm 403522 140cm
6	ÉCROU		18	24	24	30	30	M6
7	VIS		6	8	8	10	10	M6X45mm
8	RONDELLE		18	24	24	30	30	Φ6X18X1mm
9	TAPIS DE SAUT		1	1	1	1	1	403518 2610mm 403519 3230mm 403520 3540mm 403521 3840mm 403522 4040mm
10	RESSORT		60	72	80	80	90	403518 14.5cm 403519 14.5cm 403520 14.5cm 403521 14.5cm 403522 18cm

N° de série	Pièce de rechange	Photos	403518	403519	403520	403521	403522	Remarque
11	PASTILLES DE PROTECTION		1	1	1	1	1	403518 3.05m 403519 3.66m 403520 3.96m 403521 4.27m 403522 4.57m
12	RESSORT TENDEUR		1	1	1	1	1	
13	PIÈCE DE	 Φ3.0×145mm(28N)	12	16	16	20	20	
14	VIS		12	16	16	20	20	M6X75mm
15	BARRE SUPÉRIEURE		6	8	8	10	10	
16	FILET DE SÉCURITÉ		1	1	1	1	1	
17	BARRE INFÉRIEURE		6	8	8	10	10	
18	OUTILS		1	1	1	1	1	
19	Tuyau en mousse court		6	8	8	10	10	
20	Tuyau en mousse long		6	8	8	10	10	

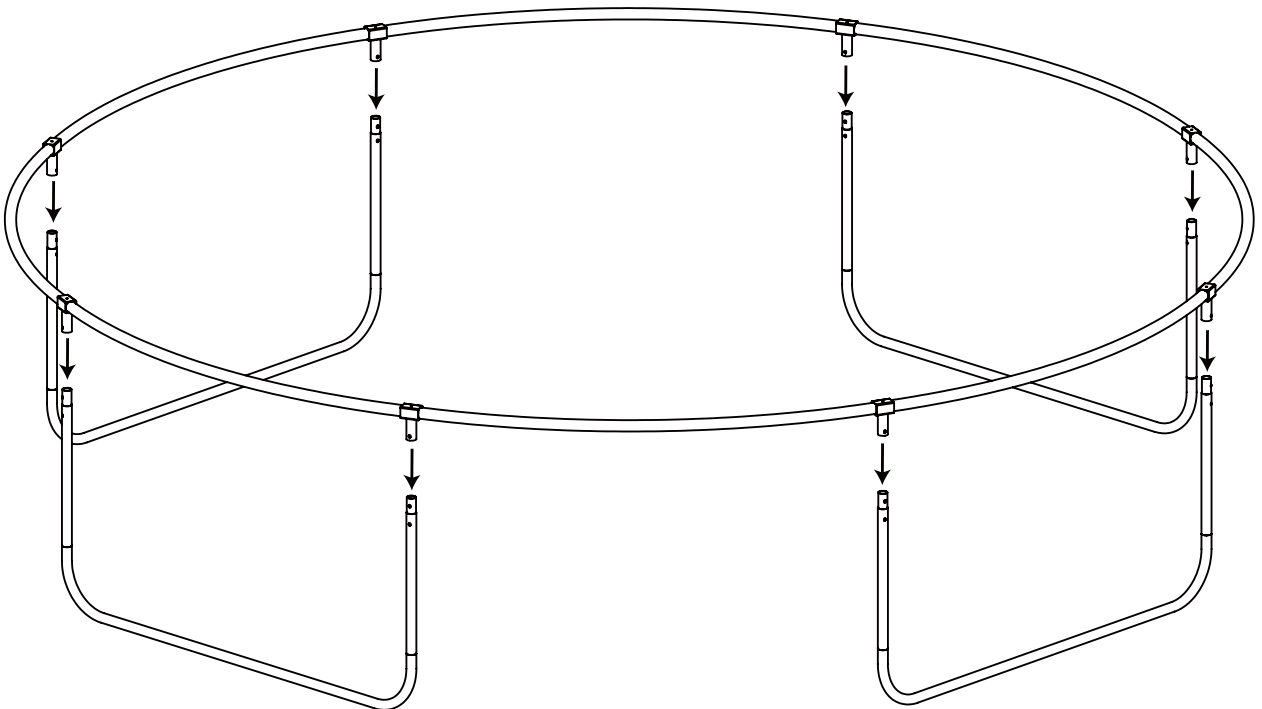
N° de série	Pièce de rechange	Photos	403518	403519	403520	403521	403522	Remarque
21	Barre de l'échelle	403518 403519 403520 403521 (86cm) 	2	2	2	2	2	
		403522 (96cm) 						
22	Barre transversale de l'échelle		2	2	2	2	3	
23	RONDELLE		4	4	4	4	6	
24	ÉCROU		4	4	4	4	6	M6
25	VIS		4	4	4	4	6	M6X35
26	OUTILS		1	1	1	1	1	



2



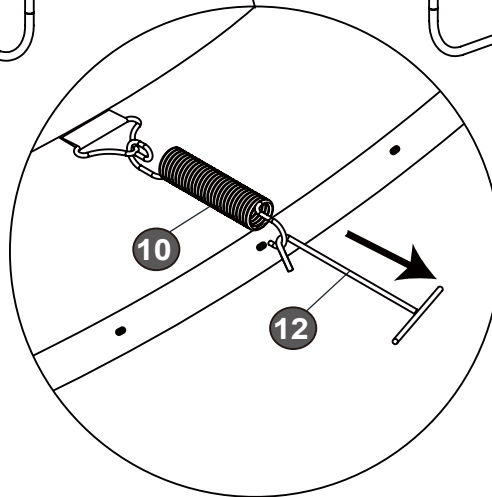
3



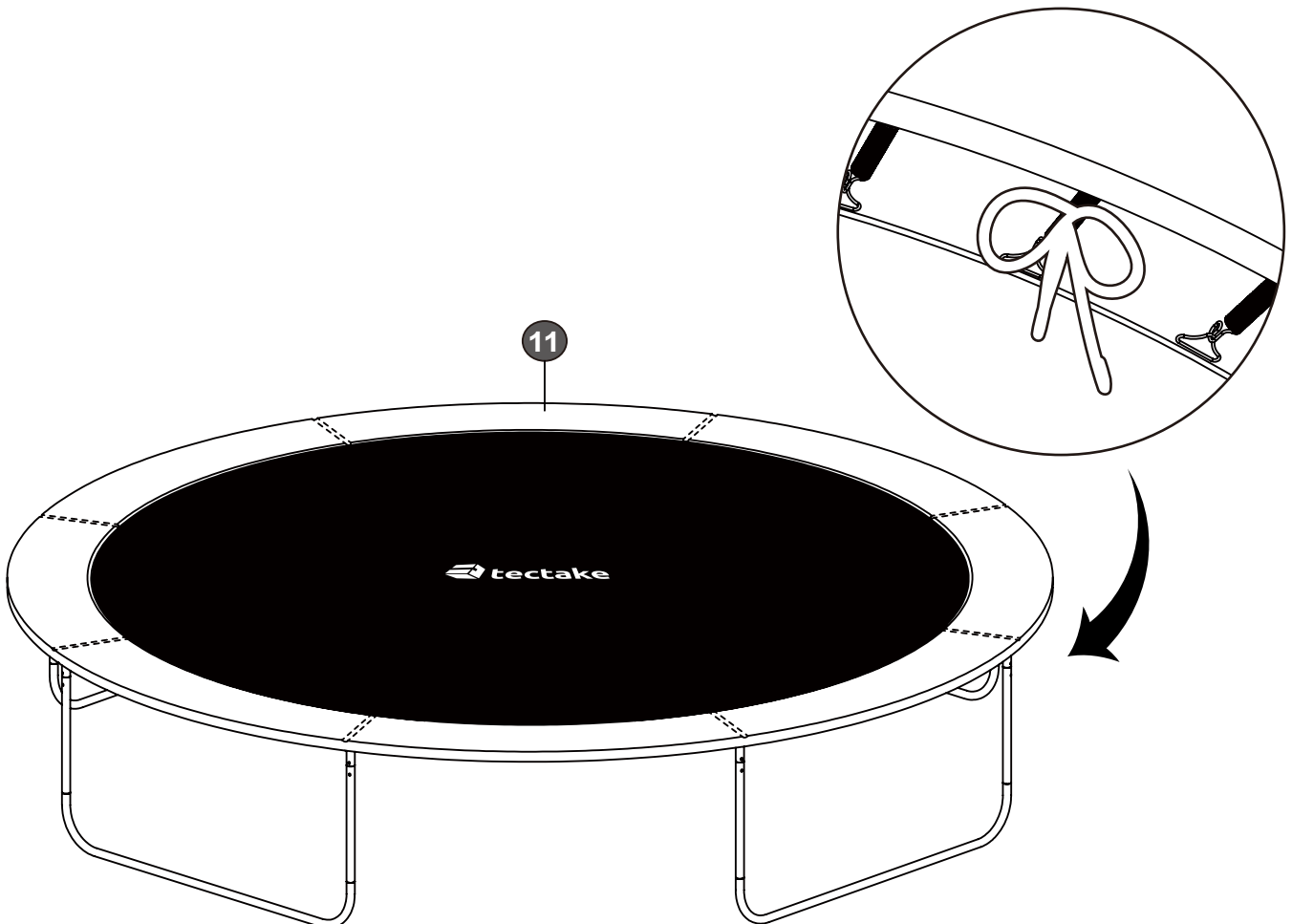
4

**Attention !**

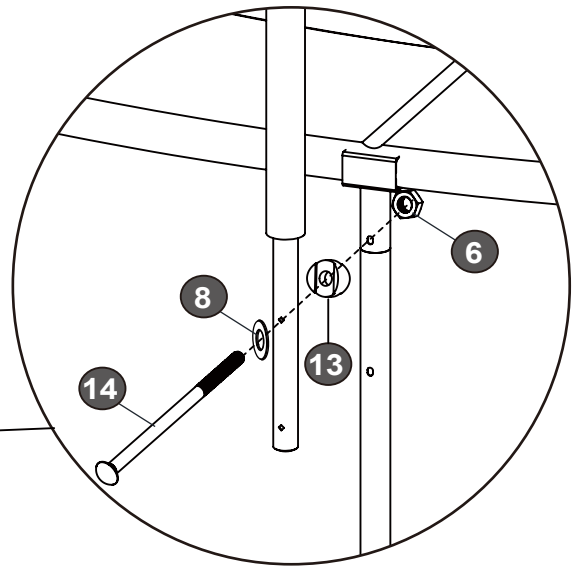
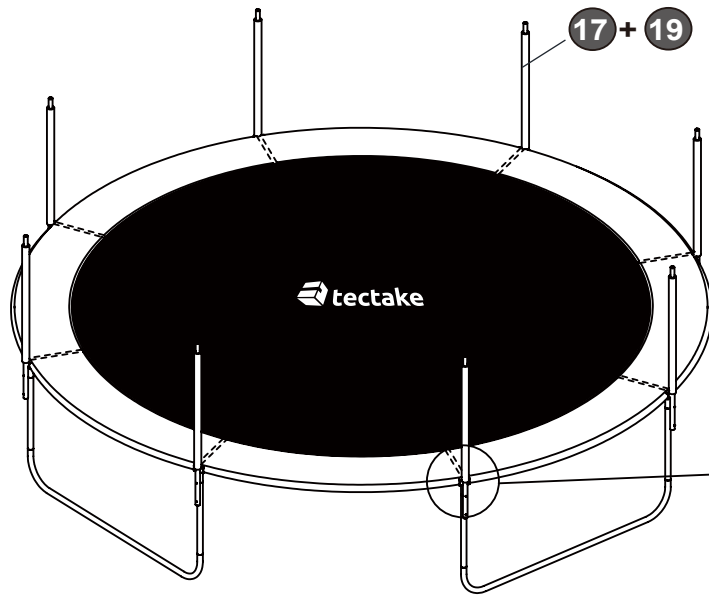
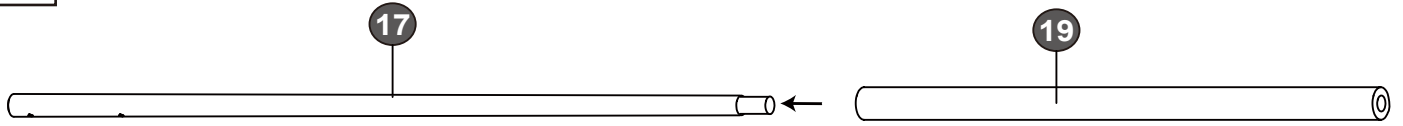
Posez les ressorts concentrés. Des ressorts trop serrés ou relâchés représentent un risque de blessure. Veuillez les installer symétriquement.



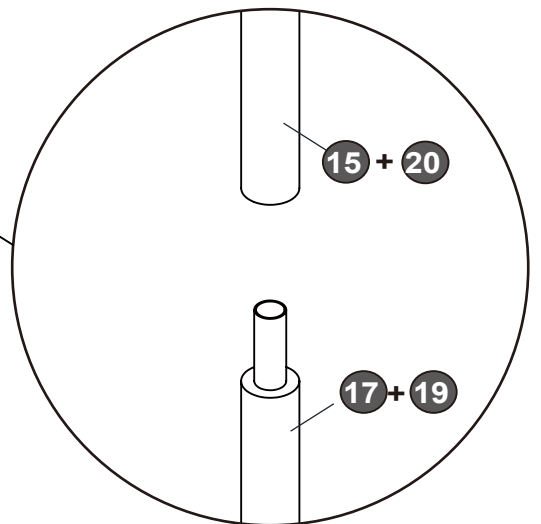
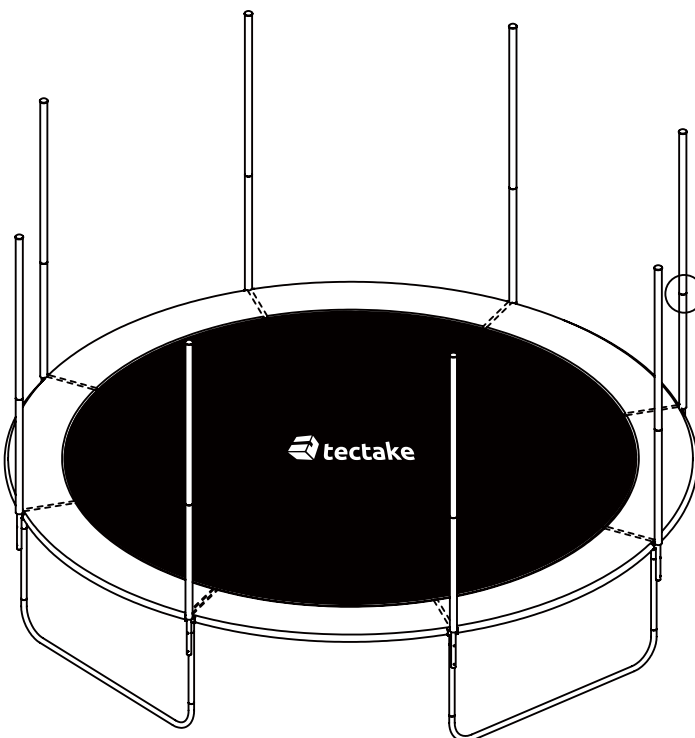
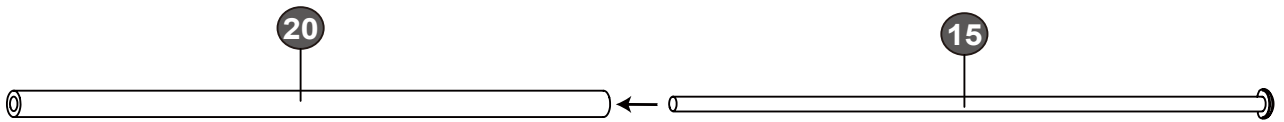
5



6

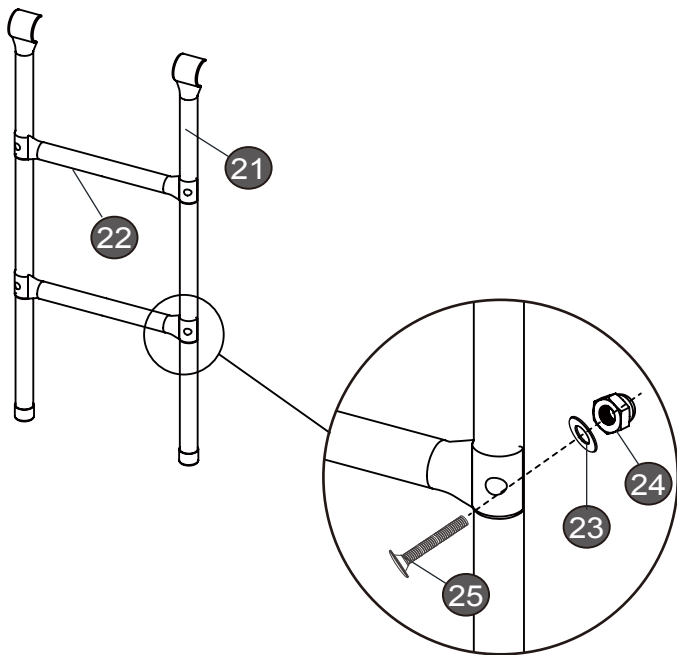


7

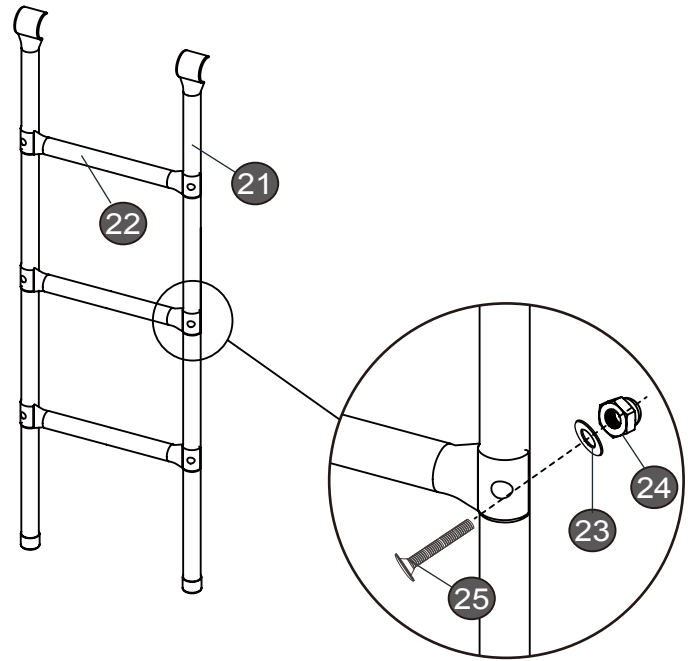


8

403518 403519 403520 403521

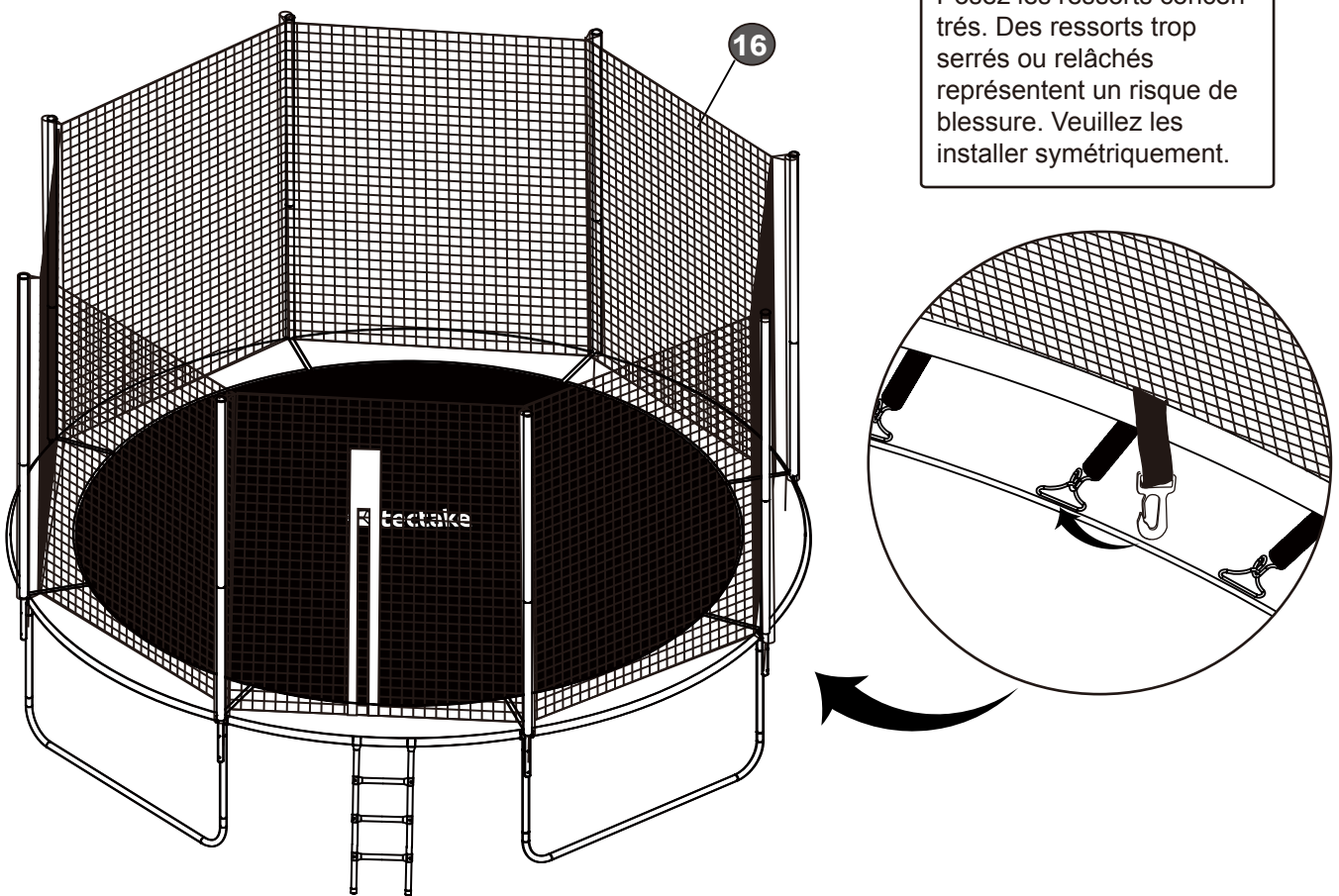


403522



9

Attention !
 Posez les ressorts concentrés.
 Des ressorts trop serrés ou relâchés
 représentent un risque de blessure.
 Veuillez les installer symétriquement.



Fermez la fermeture zippée de l'ouverture d'entrée du filet de sécurité et accrochez tous les crochets de l'ouverture d'entrée. La personne qui surveille doit contrôler la fermeture zippée et les crochets avant l'utilisation du trampoline.

Avant de tester le trampoline, veuillez lire le paragraphe « Essayer le trampoline ».

Pour le démontage, veuillez suivre les instructions de montage dans l'ordre inverse.

Essayer le trampoline

Après le montage du trampoline, il est absolument nécessaire de procéder aux vérifications de sécurité/vérifications suivantes:

Vérification du trampoline :

- A l'aide d'un tournevis, assurez-vous que toutes les vis sont bien serrées.
- Regardez sous le trampoline et vérifiez que tous les ressorts sont bien accrochés dans le cadre et dans les œillets triangulaires du tapis de saut.
- Bougez sur le trampoline et vérifiez la stabilité du cadre et sa robustesse. Le sol doit être plat.
- Assurez-vous que les tapis de protection recouvrent complètement les ressorts et le cadre et sont solidement attachés avec les liens.

Vérification du filet de sécurité :

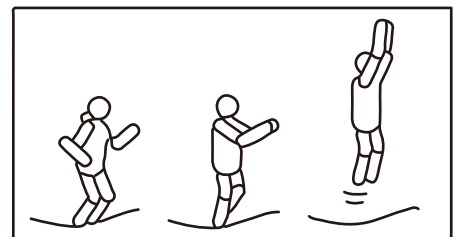
- Vérifiez la solidité des barres de maintien.
- Examinez de près la matière et les coutures du filet et des manchons. Elles doivent être impeccables.
- Vérifiez le bon fonctionnement de la fermeture zippée et des crochets de l'entrée.
- Vérifiez que tous les crochets sont bien accrochés sous le trampoline dans les œillets triangulaires.

Techniques de saut de base

Le risque de blessure étant très élevé chez les sauteurs inexpérimentés, il est important d'apprendre les techniques de saut de base.

Le saut de base

- Départ en position debout, pieds écartés à la largeur des épaules, les yeux regardent le tapis
- Balancez les bras vers l'avant et tournez en un mouvement circulaire.
- Soulevez les pieds ensemble en l'air et tendez les pointes de pieds vers le bas.
- A la réception, les pieds sont écartés à la largeur des épaules.



Manoeuvre d'interruption

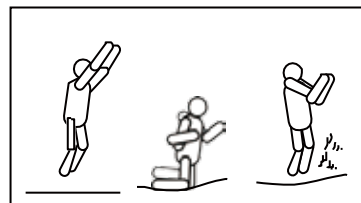
- Le sauteur peut parfois perdre le contrôle de son saut. En exécutant la manœuvre d'interruption, il peut retrouver le contrôle de son saut et son équilibre.
- Commencez avec un saut de base.
- A la réception, ramenez les genoux. De cette façon, vous pouvez interrompre votre saut.

Le saut sur les mains/sur les genoux

- Commencez par un saut de base réduit contrôlé.
- Atterrissez sur les mains et les genoux tout en gardant votre dos droit.
- Veillez à bien atterrir sur les 4 points. La hauteur n'est pas importante.

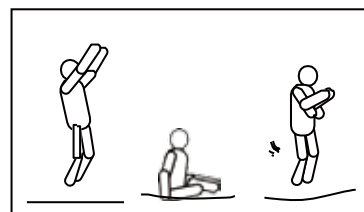
Saut sur les genoux

- Commencez par un saut de base réduit contrôlé.
- Atterrissez sur les genoux en gardant le corps redressé, le dos droit. Utilisez vos bras pour garder l'équilibre.
- Revenez à la position de base en balançant les bras vers le haut.



Saut assis

- Atterrissez en position assise à plat.
- Posez vos mains à côté de vos hanches.
- Revenez en position debout en poussant avec vos mains.



Programme d'entraînement

Suivez le programme d'entraînement pour apprendre les sauts de base avant de vous mettre à des sauts plus difficiles. Lisez les consignes de sécurité attentivement et comprendre leur nécessité avant de commencer les exercices. La personne qui surveille et l'utilisateur doivent discuter minutieusement aussi bien des principes du trampoline que des fonctions corporelles.

1.Exercice

- Monter et descendre - Présentation des bonnes techniques
- Saut de base - Démonstration et pratique
- Manoeuvre d'interruption - Démonstration et pratique
- Saut sur les mains/sur les genoux - démonstration et pratique

2.Exercice

- Répétition de l'exercice précédent
- Saut sur les genoux - Démonstration et pratique
- Saut assis - Démonstration et pratique
- Pour acquérir une routine, commencez par un saut assis et terminez pas un saut sur les genoux.

3.Exercice

- Répétez ce que vous avez appris dans les exercices précédents.

Avec ces exercices, vous disposez des connaissances de base. A l'avenir, faites toujours attention à la maîtrise et à l'exécution de vos sauts.

Le jeu suivant sert à habituer l'utilisateur progressivement au trampoline : le joueur 1 commence par un saut, le joueur 2 répète ce saut et en ajoute un autre. Les joueurs alternent et ajoutent un nouveau saut à chaque fois. Celui qui exécute tous les sauts jusqu'au bout est gagnant. Ici aussi, il est important que tous les sauts soient maîtrisés.

N'essayez pas des sauts trop difficiles que vous ne maîtrisez pas. Si vous voulez vous améliorer, consultez un coach de trampoline qualifié.

Étirements

Sauter chaque jour peut favoriser votre santé. Toutefois, vous devez vous étirer au préalable. Les étirements détendent et peuvent dénouer les tensions musculaires. Ils préviennent de graves blessures musculaires pendant les exercices. Par conséquent, il est important d'intégrer des étirements dans votre programme d'entraînement. Mais pensez à ne vous étirer qu'une fois que vous vous êtes échauffé.

Les exercices suivants sont des exemples que vous pouvez faire avant de vous entraîner. Faites tous les mouvements lentement et doucement jusqu'à ce que vous sentiez un léger tiraillement dans vos muscles. Après un certain temps, vous pouvez peut-être augmenter l'intensité des étirements, mais sans aller jusqu'à la douleur et n'arrêtez pas brusquement, sinon les fibres musculaires pourraient se déchirer. Tenez chaque exercice entre 10 et 20 secondes. Inspirez et expirez lentement.

Mollet

- Placez-vous à 90 cm devant un mur, placez une jambe à 30 cm vers l'avant, pliez les deux jambes et appuyez-vous sur vos mains. Gardez les talons au sol et tournez les pieds légèrement vers l'intérieur (faible intensité).
- Ou gardez la jambe arrière tendue et ramenez l'autre jambe 60 cm vers l'avant. Appuyez-vous sur vos mains. Gardez les talons au sol et tournez les pieds légèrement vers l'intérieur (haute intensité).
- Répétez avec l'autre jambe.

Ligament extérieur

- Avec la jambe qui doit être étirée, faites un pas derrière le pied de l'autre jambe. Tournez vos hanches vers le mur mais pas le torse. Inclinez-vous vers l'avant. Répétez le tout avec l'autre jambe.

Bas du dos, hanches, aine, muscle de la cuisse

- Écartez les pieds de la largeur des épaules. Inclinez-vous à partir des hanches vers l'avant. Gardez les genoux légèrement pliés.

Côtés

- Les pieds sont écartés de la largeur des épaules. Les genoux restent toujours légèrement pliés. Posez votre main gauche sur votre hanche, tendez le bras droit et passez-le au-dessus de votre tête. Étirez le buste lentement vers la gauche (faible intensité).
- Ou tendez les deux bras au-dessus de la tête, la main gauche tire sur le bras droit. Penchez votre buste lentement vers la gauche (intensité élevée).
- Répétez le tout avec l'autre côté.

Cuisse extérieure

- Allongez-vous à plat sur le ventre et tirez le talon de la jambe gauche avec la main droite sur les fessiers. Gardez un espace confortable avec la jambe tendue.
- Le même étirement peut se faire aussi en position debout. Dans ce cas, ni la cuisse ni le torse ne doivent pencher vers l'avant.
- Répétez avec l'autre jambe.

Cuisse intérieure

- Asseyez-vous au sol avec les plantes de pieds l'une près de l'autre. Pressez vos genoux vers le bas avec les coudes.
- Écartez vos pieds de 90 - 120 cm et tournez-vous légèrement vers l'extérieur. Gardez une jambe droite et penchez-vous sur l'autre genou.
- Répétez de l'autre côté.

Cuisse arrière

- Fléchissez un genou. L'autre jambe est tendue. Essayez de toucher les doigts de pied de la jambe tendue avec les deux mains.
- Répétez cet exercice avec l'autre jambe.

Fessiers

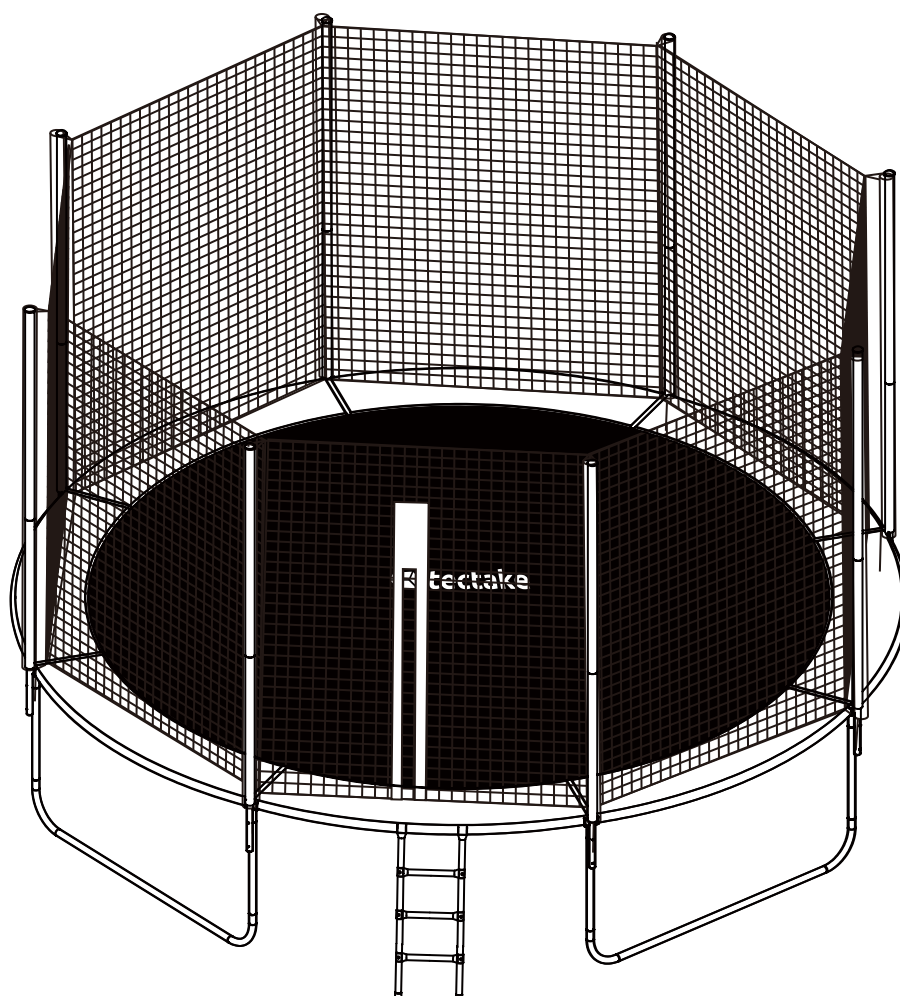
- Allongez-vous sur le dos. Tirez un genou sur la poitrine tandis que l'autre jambe reste allongée à plat sur le sol. La même chose peut se faire en position debout.
- Répétez avec l'autre jambe.

Tibia

- Déplacez le poids du corps sur une jambe. Tendez l'autre jambe vers l'avant, levez et abaissez la cheville.
- Répétez cet exercice avec l'autre jambe.

MANUAL DE INSTRUCCIONES

Cama elástica



¡Atención! No apto para niños menores de 36 meses Instrucciones de instalación/manejo
¡Usa la cama elástica bajo tu propia cuenta y riesgo!
¡El usuario es responsable del buen estado de la cama elástica!

INTRODUCCIÓN

Lea este folleto informativo detenidamente antes de usar la cama elástica. Al igual que con cualquier otra actividad deportiva, también existe el riesgo de lesiones. Para que el riesgo de lesiones sea lo más bajo posible, siga las normas de seguridad necesarias.

- Estas instrucciones forman parte de este producto; consérvelos para futuras referencias. Si alguna vez desea transferir el producto a otra persona, adjunte siempre estas instrucciones de uso.
- El uso incorrecto de la cama elástica es peligroso y puede provocar lesiones graves o la muerte.
- Las camas elásticas llevan al usuario a alturas de salto a menudo desconocidas y, por tanto, requieren de control corporal.
- Antes de cada uso, compruebe la estabilidad de la estera de la cama elástica y asegúrese de que ninguna pieza esté suelta.
- Encontrará información acerca del montaje correcto de la cama elástica, las instrucciones de seguridad y las técnicas de salto correctas en este folleto. Los usuarios y las personas supervisoras de la cama elástica deberán leer estas instrucciones y familiarizarse con ellas. Cualquiera que use esta cama elástica debe conocer sus propios límites físicos y solo realizar saltos que coincidan con sus habilidades individuales.
- Esta cama elástica no debe empotrarse en el suelo

Objetos pequeños/piezas de embalaje (bolsas de plástico, cartón, etc.)

- Mantenga los objetos pequeños (por ejemplo, tornillos y cualquier otro material de montaje, tarjetas de memoria) y las piezas de embalaje fuera del alcance de los niños para que no haya riesgo de ingestión. ¡No permita que los niños pequeños jueguen con la lámina de plástico, ya que existe el riesgo de asfixia!
- No coloque fuentes de fuego abierta, como velas encendidas, sobre el dispositivo.

Uso previsto

- Este dispositivo se utiliza para hacer ejercicio físico saltando.
- Está destinado exclusivamente para este propósito y solo deberá usarse para este propósito. Solo se puede usar de la manera descrita en el presente manual de instrucciones.
- Este dispositivo no está destinado a ser utilizado por personas (incluidos niños) con capacidades físicas, sensoriales o mentales limitadas o falta de experiencia o conocimientos, a menos que estén bajo la supervisión de una persona responsable de su seguridad que tenga instrucciones precisas acerca de cómo utilizar el dispositivo. Se deberá vigilar a los niños para garantizar que no jueguen con el dispositivo.

Reparaciones

- Las reparaciones del dispositivo solo las deberá realizar un taller especializado autorizado.
- La reconversión o modificación del producto afecta la seguridad del mismo. ¡Atención, riesgo de lesiones!
- ¡Nunca abra el producto y nunca realice reparaciones usted mismo!
- Un montaje incorrecto puede provocar un mal funcionamiento o una falla total del dispositivo.
- Nunca abra el producto.
- No se aceptará ninguna responsabilidad por daños consecuentes de ello. ¡Sujeto a cambios técnicos y errores!
- La garantía se considerará nula si el dispositivo se manipula.

consejos de seguridad

Lea estas instrucciones de funcionamiento a fondo antes de usar. Un montaje y uso incorrectos pueden provocar lesiones. Compruebe el montaje de la cama elástica antes de cada uso. Si hay dudas acerca de la seguridad de la construcción, no se debe utilizar el dispositivo.

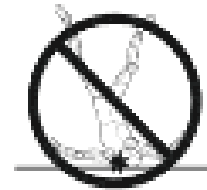
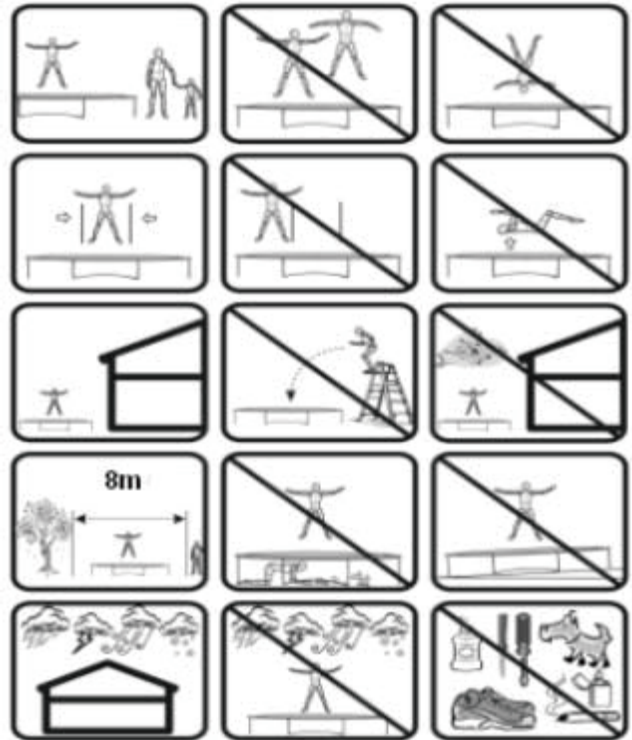
El dispositivo no es adecuado para niños menores de 3 años. Asegúrese de que los niños menores de esta edad no tengan acceso al a la cama elástica.

Peso máximo del usuario: 150kg

¡Atención!

- El dispositivo solo debe usarse bajo supervisión, independientemente de la edad.
- Tómese un descanso cada 20 minutos.
- Los niños solo pueden usar el dispositivo bajo supervisión y deberán recibir formación por adultos antes de usarlo.
- Si no tiene experiencia en el manejo de camas elásticas, familiarícese con el diseño y el salto en cama elástica.
- Vacíese los bolsillos antes de usar la cama elástica.
- Esta cama elástica solo se puede usar por una persona a la vez. Riesgo de colisión.
- Quítese los zapatos, aunque puede utilizar zapatos de gimnasia con suela delgada.

- Siempre salte en el centro de la colchoneta.
- No lleve prendas de vestir u objetos que pudieran quedar atrapados mientras salta.
- La cama elástica debe estar a nivel del suelo y colocada sobre una superficie antideslizante.
- No abandone la lona de salto con un salto.
- Si hay fuerte viento el dispositivo puede moverse. Si hay previsión de que haga mucho viento, coloque la cama elástica en un lugar protegido o fíjela al suelo.
- No la use si la lona de salto está mojada.
- Por norma general, evite mover el dispositivo cuando esté completamente montado. Si es absolutamente necesario mover el dispositivo montado, se debe llamar al menos a 4 personas fuertes para mover el la cama elástica de manera segura con la lona de salto alineada horizontalmente.
- No instale el dispositivo cerca del agua y asegúrese de que esté a una distancia suficiente de casas, edificios etc.
- Asegúrese de que nadie esté debajo de la cama elástica durante su uso.
- No coloque nada debajo de la cama elástica.
- Antes de usar la lona de salto, asegúrese de que esté limpia y no esté húmeda. Las lonas de salto defectuosas no deberán usarse y deberán reemplazarse.
- No use la cama elástica mientras está bajo los efectos del alcohol o bajo la influencia de medicamentos.
- La cama elástica deberá instalarse de tal manera que haya suficiente espacio encima de la lona de salto.
- Nunca instale la lona de salto en condiciones ambientales que pudieran resultar peligrosas, por ejemplo, cerca de árboles, torres eléctricas, cables, vallas, etc.
- Evite energizar el dispositivo.
- Asegúrese siempre. Que la cremallera de la red de seguridad esté cerrada y enganchada.
- No salte hacia la red de seguridad a propósito.
- Siempre cierre la abertura de la red antes de usar el dispositivo.
- No coma mientras salta



- Si no tiene experiencia como saltador, no realice maniobras arriesgadas como saltos mortales.

Consejos para el montaje

- La cama elástica la deberán montar al menos dos adultos; si tiene alguna pregunta, comuníquese con nuestro Centro de servicio.
- Antes de comenzar a montar, lea todas las instrucciones cuidadosamente.
- Retire todo el material de embalaje y coloque todas las piezas en un espacio vacío, de modo que tenga una visión general, algo que facilitará el montaje.
- Compare las piezas con la lista de piezas y asegúrese de que no falte nada.
- El manejo de herramientas y todo tipo de trabajo técnico siempre implica cierto riesgo de lesiones. De manera que le pedimos que tenga cuidado.
- Asegúrese de que los alrededores sean seguros, por ejemplo: No deje ninguna herramienta cerca.
- Además, asegúrese de que el material de embalaje, especialmente las láminas y bolsas de plástico, no estén al alcance de los niños (¡riesgo de asfixia!). Deseche el material de embalaje adecuadamente.
- Después de haber montado la cama elástica de acuerdo con las instrucciones, compruebe que todos los tornillos y tuercas y todos los demás puntos de conexión se hayan fijado correctamente.
- Coloque la cama elástica en una superficie plana y nivelada al menos a 2 m de distancia de otros edificios o barreras, por ejemplo, una valla, garaje, casa, ramas de árboles, tendederos o cables eléctricos.
- La cama elástica deberá colocarse sobre una superficie plana, firme y uniforme antes de su uso.
- No utilice la cama elástica si llueve, hace viento o mal tiempo. Recomendamos no dejarla fuera si hace mal tiempo.
- La estructura de metal de la cama elástica conduce la electricidad. Asegúrese de que no entre en contacto con electricidad (tenga precaución incluso durante tormentas eléctricas).
- No utilice la cama elástica si hay poca iluminación.
- Además no deberá haber ningún otro tipo de dispositivo de ocio en las inmediaciones.

Instrucciones de mantenimiento

- Los muelles se desgastan y son las fijaciones de la cubierta a la lona de salto de la cama elástica
- Proteja la cama elástica contra la humedad y las altas temperaturas.
- Tenga en cuenta que la cama elástica debe controlarse continuamente para determinar su idoneidad de uso, por ejemplo, controlando el desgaste permisible de las piezas de desgaste.
- Siga las instrucciones a continuación. Es muy importante que siga las instrucciones de mantenimiento al comienzo de cada temporada y de manera regular durante la temporada de uso.
- Se necesita un mantenimiento regular. Descuidar dicho mantenimiento regular puede poner en peligro a los usuarios.
- Compruebe la resistencia de todos los tornillos y tuercas y vuelva a apretarlos si es necesario.
- Compruebe que los extremos de todos los muelles estén intactos y que no puedan soltarse durante el uso.

- Revise todas las cubiertas en busca de tornillos y bordes afilados. En caso necesario, reemplácelos.
- La cama elástica no debe colocarse sobre superficies duras como asfalto, hormigón, etc.
- Si se utilizan tuercas o tornillos autoblocantes, asegúrese de que solo sean adecuados para un solo uso y que puedan reemplazarse.
- La red de seguridad debe reemplazarse como máximo tras 1 año de uso.
- Una cama elástica con un mantenimiento deficiente aumenta el riesgo de lesiones. Revise la cama elástica para comprobar si hay alguna rotura o desgaste en las lonas y las cubiertas, marcos doblados o piezas faltantes, muelles sueltos o rotos, y verifique su estabilidad general. La cama elástica deberá inspeccionarse antes de cada uso.
- Las piezas gastadas o defectuosas se deberán reemplazar de inmediato. La cama elástica no deberá usarse hasta que esté reparada por completo.
- Cuando no utilice la cama elástica, almacénela en un lugar limpio y seco.

Medidas:

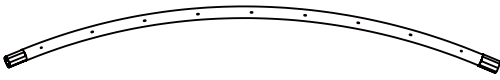
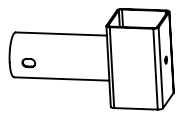
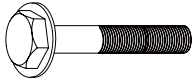
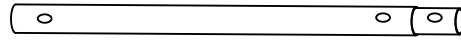
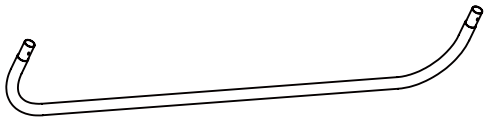
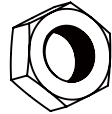
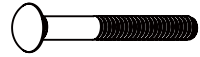
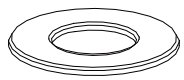

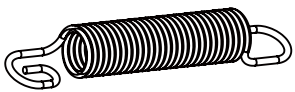
Modelo	Altura estructura	Altura red de seguridad	Diámetro total	Altura total con red de seguridad
403518	76cm	180cm	305cm	256cm
403519	80cm	180cm	366cm	260cm
403520	80cm	180cm	396cm	260cm
403521	80cm	180cm	427cm	260cm
403522	90cm	180cm	457cm	269cm

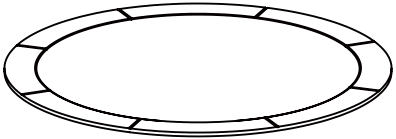
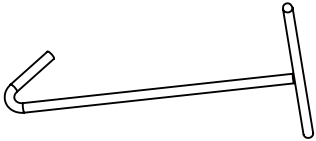

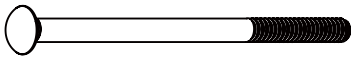
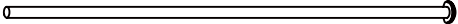
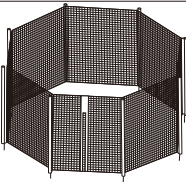
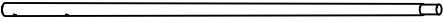
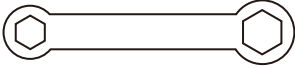

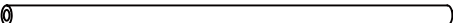
Montaje

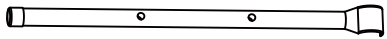
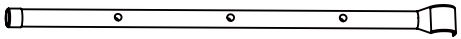
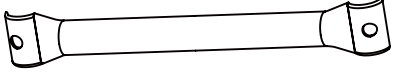

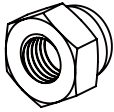
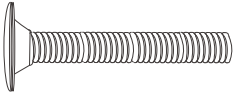
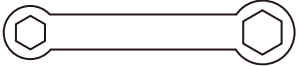
Atención

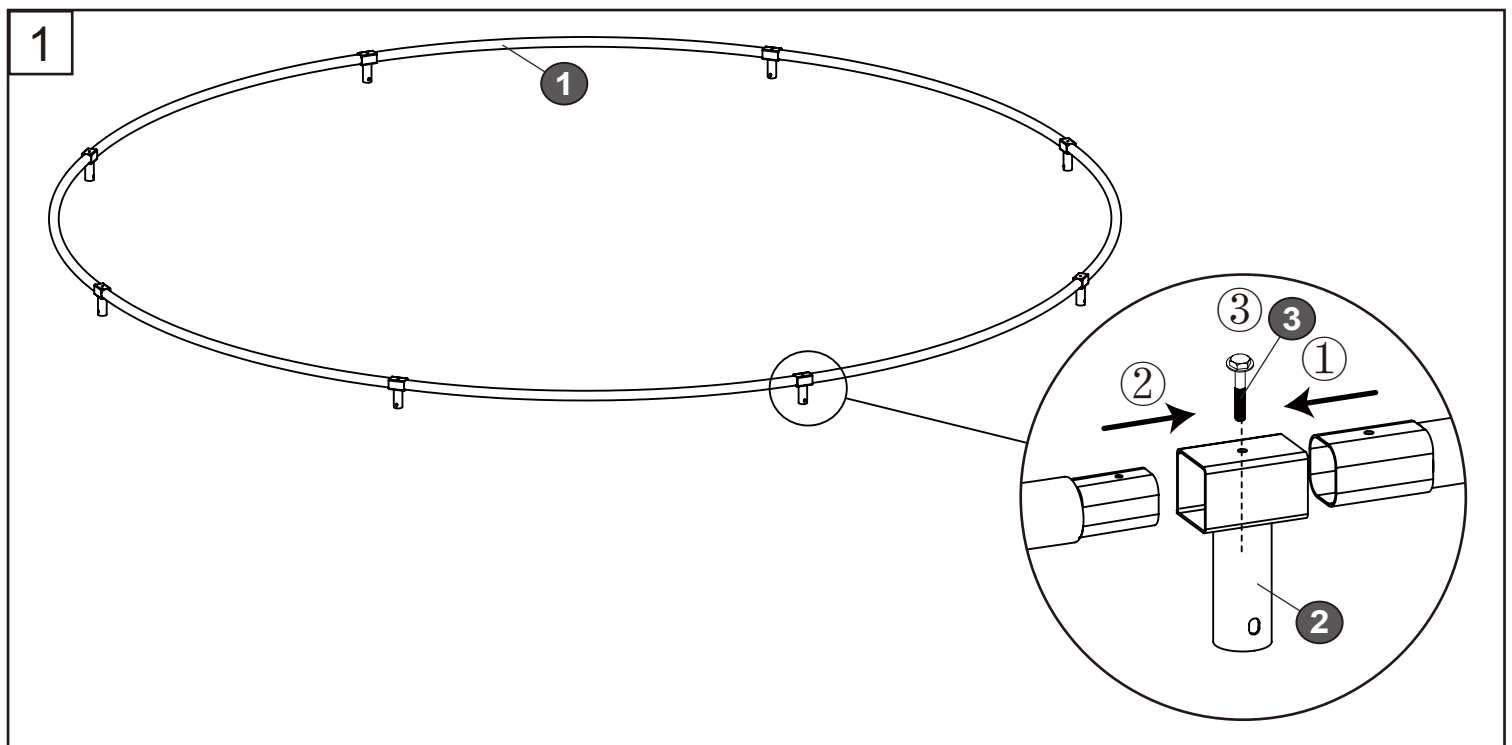
Para distinguir entre las diferentes piezas, consulte la lista de piezas.

Atención: Se necesitan al menos dos adultos en buena forma física para el montaje. Por su seguridad, deberá utilizar zapatos y ropa adecuados. El no cumplimiento de las instrucciones puede provocar lesiones. Las imágenes pueden variar ligeramente con los diferentes modelos de cama elástica.

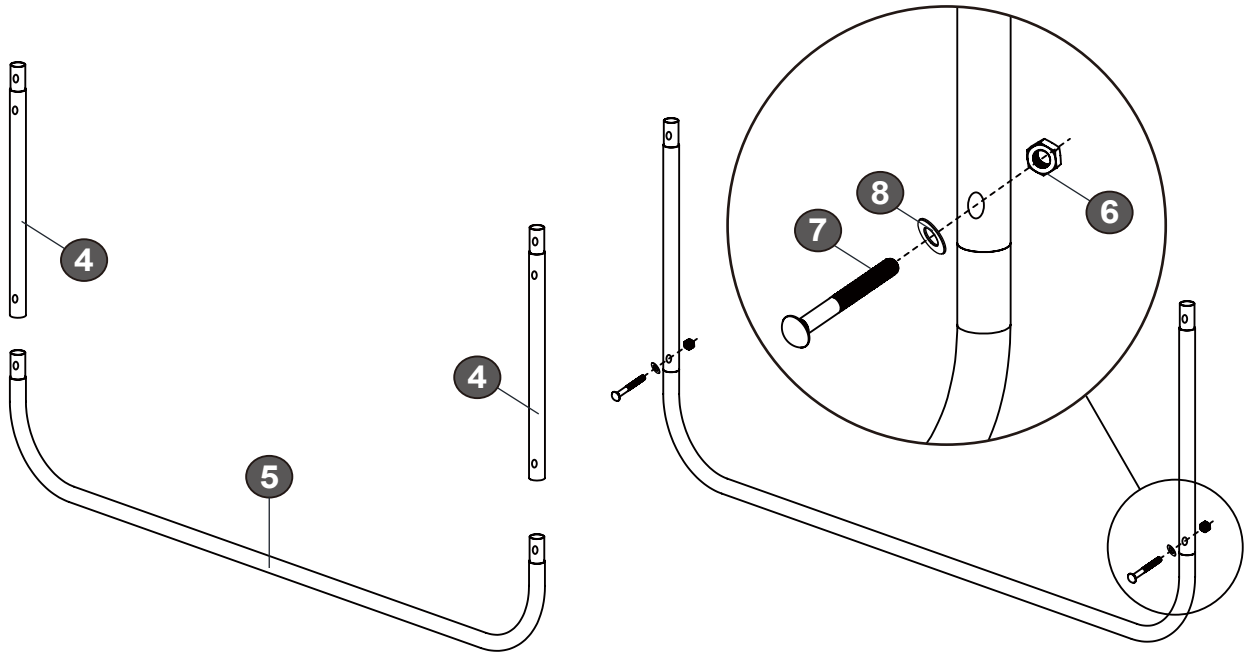
N.º de serie	Pieza de repuesto	Imágenes	403518	403519	403520	403521	403522	Observación
1	MARCO SUPERIOR		6	8	8	10	10	403518 155,5cm 403519 144,5cm 403520 156,5cm 403521 136,5cm 403522 145,5cm
2	PIEZA DE UNIÓN		6	8	8	10	10	
3	TORNILLO		6	8	8	10	10	M8X50mm
4	EXTENSIÓN DE PATA		6	8	8	10	10	403518 51cm 403519 51cm 403520 51cm 403521 51cm 403522 61cm
5	PATA		3	4	4	5	5	403518 151cm 403519 140cm 403520 153,5cm 403521 133,5cm 403522 140cm
6	TUERCA		18	24	24	30	30	M6
7	TORNILLO		6	8	8	10	10	M6X45mm
8	ARANDELAS		18	24	24	30	30	Φ6X18X1mm
9	RED DE SALTO		1	1	1	1	1	403518 2610mm 403519 3230mm 403520 3540mm 403521 3840mm 403522 4040mm
10	MUELLE		60	72	80	80	90	403518 14.5cm 403519 14.5cm 403520 14.5cm 403521 14.5cm 403522 18cm

N.º de serie	Pieza de repuesto	Imágenes	403518	403519	403520	403521	403522	Observación
11	ALMOHADILLAS		1	1	1	1	1	403518 3.05m 403519 3.66m 403520 3.96m 403521 4.27m 403522 4.57m
12	TENSOR DE MUELLE		1	1	1	1	1	
13	PIEZA INTERMEDIA	 Φ3.0×145mm(28N)	12	16	16	20	20	
14	TORNILLO		12	16	16	20	20	M6X75mm
15	VARILLA SUPERIOR		6	8	8	10	10	
16	RED DE SEGURIDAD		1	1	1	1	1	
17	VARILLA INFERIOR		6	8	8	10	10	
18	HERRAMIENTA		1	1	1	1	1	
19	Tubo corto de espuma de protección		6	8	8	10	10	
20	Tubo largo de espuma de protección		6	8	8	10	10	

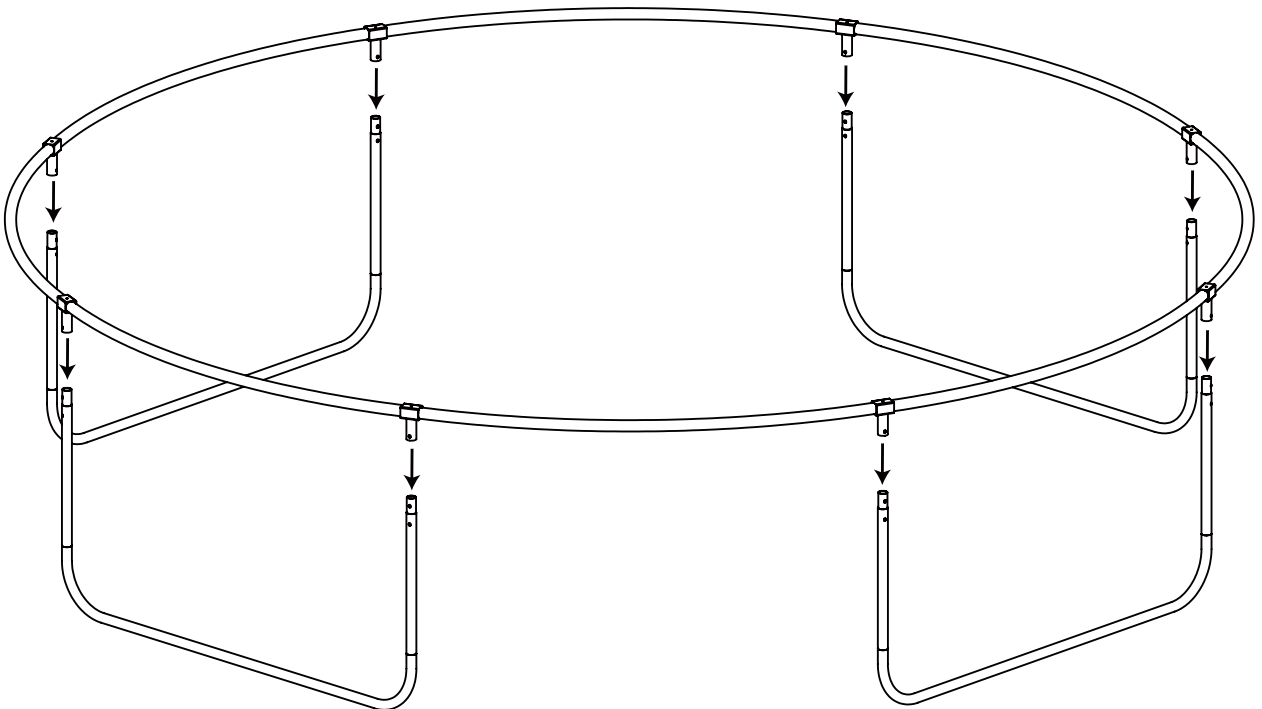
N.º de serie	Pieza de repuesto	Imágenes	403518	403519	403520	403521	403522	Observación
21	Barra de la escalera	403518 403519 403520 403521 (86cm) 	2	2	2	2	2	
		403522 (96cm) 						
22	Barra horizontal de la escalera		2	2	2	2	3	
23	ARANDELAS		4	4	4	4	6	
24	TUERCA		4	4	4	4	6	M6
25	TORNILLO		4	4	4	4	6	M6X35
26	HERRAMIENTA		1	1	1	1	1	



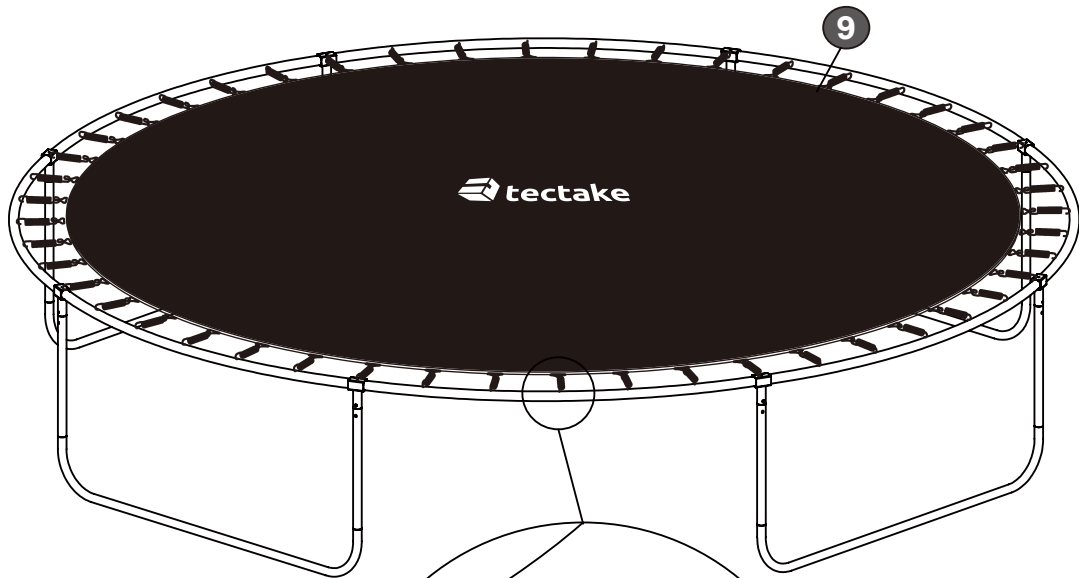
2



3

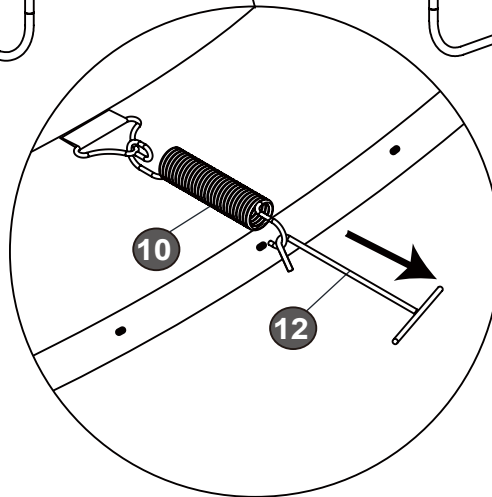


4

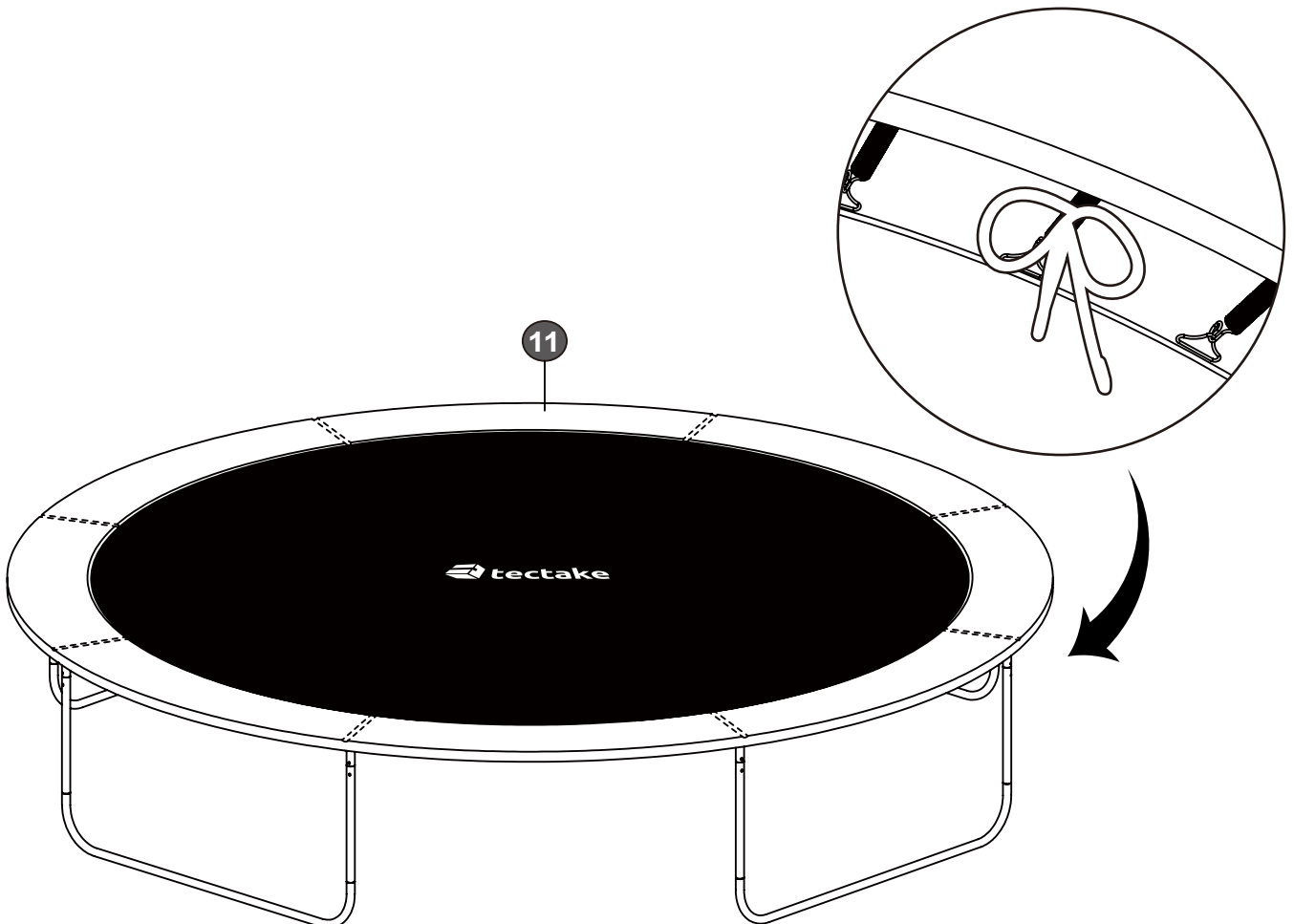


¡Atención!

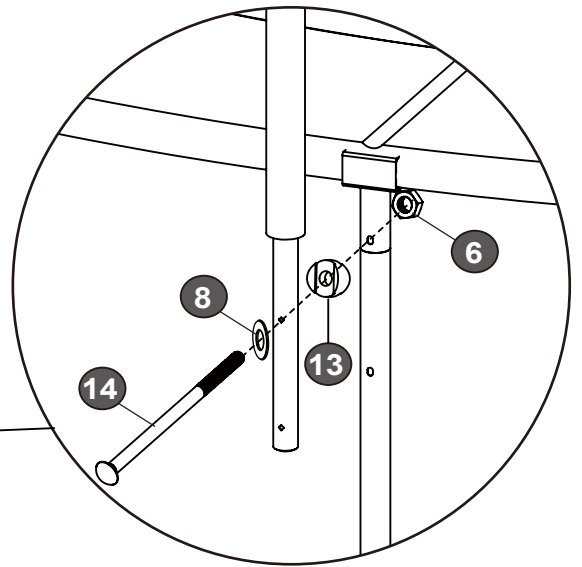
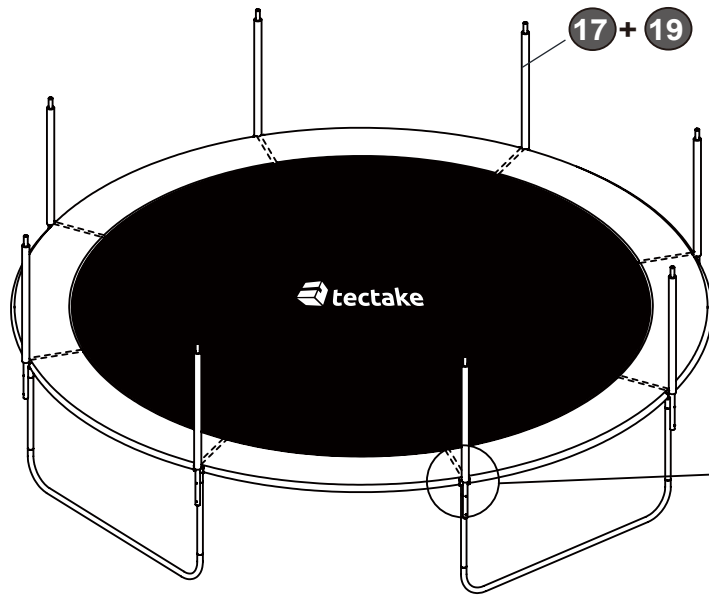
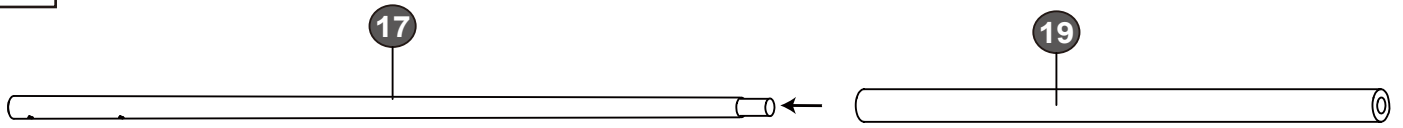
Coloque los muelles a conciencia. Existe el riesgo de lesiones debido a que los muelles se rompan o se desgasten. Instálelos de forma simétrica.



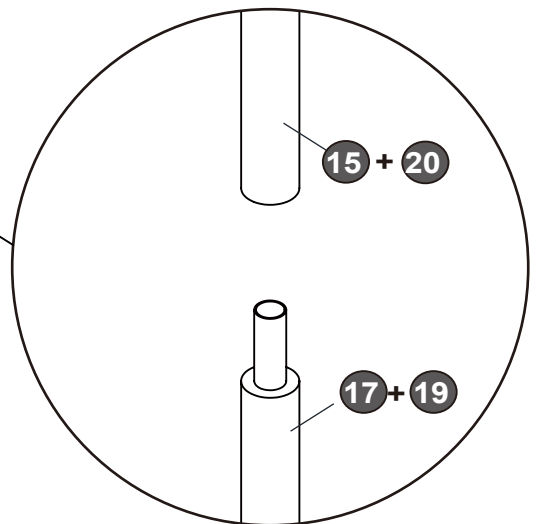
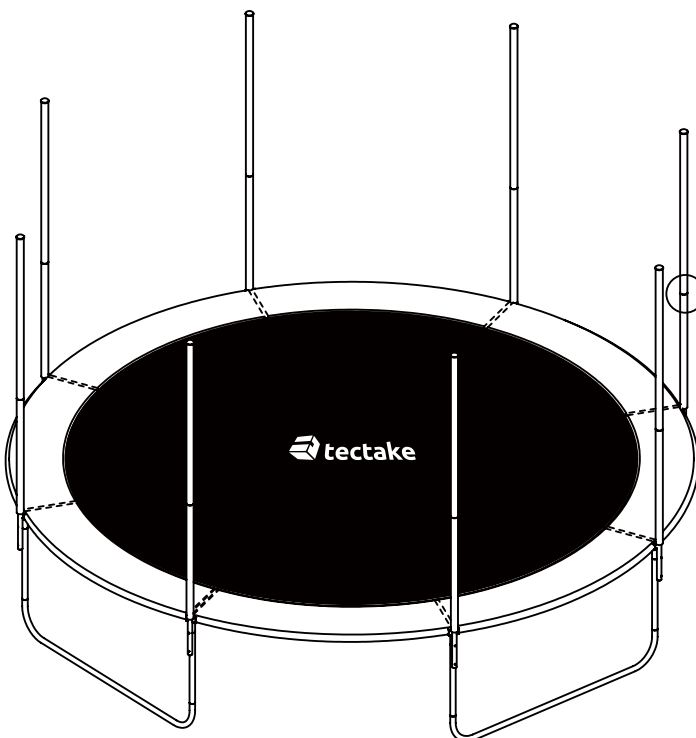
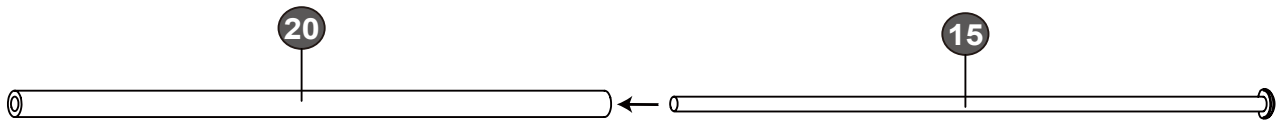
5

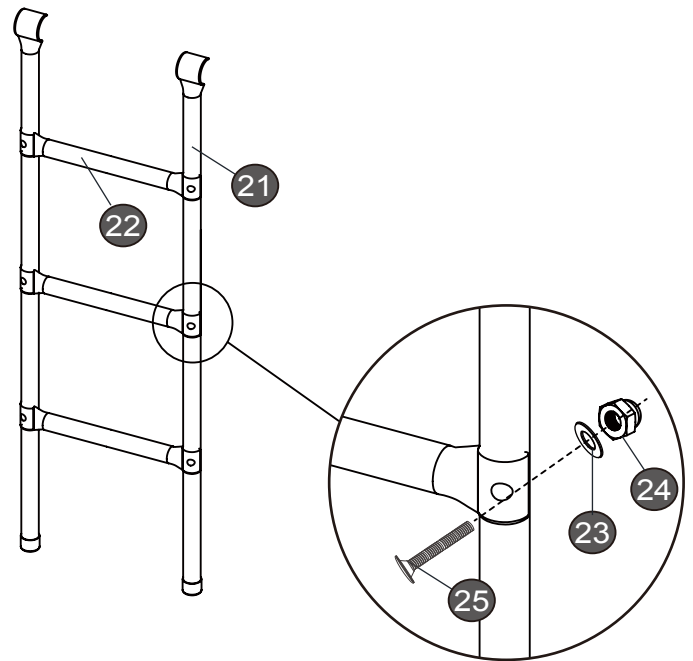
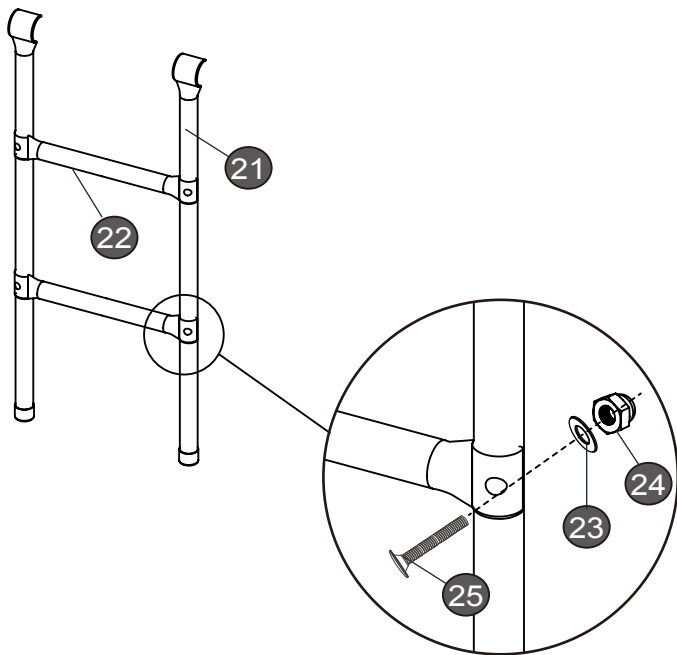


6

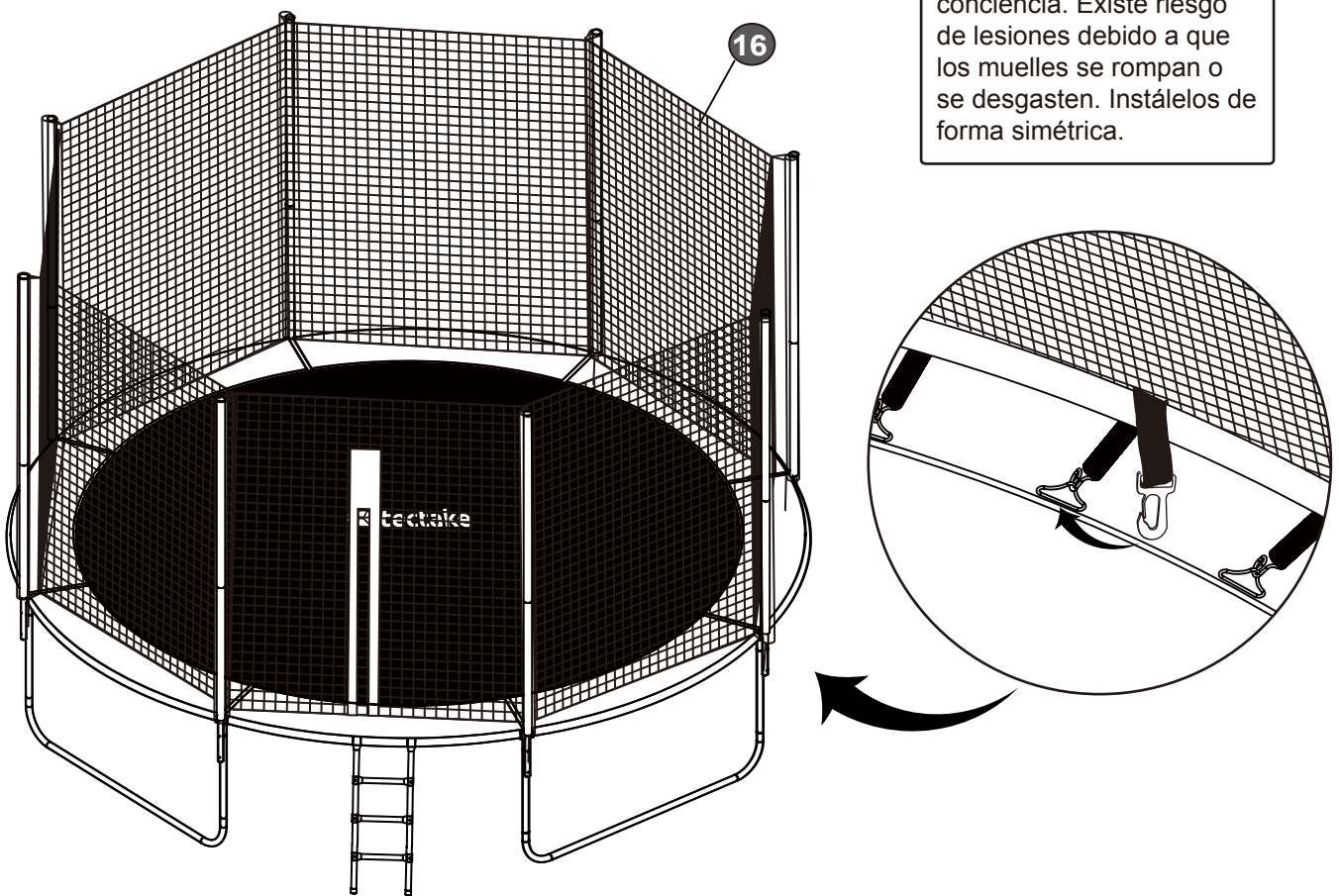


7



**¡Atención!**

Coloque los muelles a conciencia. Existe riesgo de lesiones debido a que los muelles se rompan o se desgasten. Instálelos de forma simétrica.



Tire de la cremallera de la abertura de entrada de la red de seguridad y enganche todos los ganchos de la abertura de entrada. La persona responsable deberá revisar la cremallera y el gancho antes de poder usar la cama elástica.

Antes de probar el trampolín, consulte la sección «Prueba del trampolín».

Para desmontar, siga las instrucciones de montaje pero en orden inverso.

Prueba de la cama elástica

Después de montar la cama elástica, es imprescindible que realice las siguientes comprobaciones de seguridad:

Prueba de la cama elástica:

- Use un destornillador para asegurarse de que todos los tornillos estén apretados.
- Mire debajo de la cama elástica y compruebe que todos los muelles estén firmemente enganchados en el marco y los ojales triangulares de la lona de salto.
- Agite la cama elástica para comprobar la estabilidad del marco y la estabilidad en general. El suelo deberá estar nivelado.
- Asegúrese de que las esteras de revestimiento cubran completamente los muelle y el marco y que estén bien sujetas con las correas.

Comprobación de la red de seguridad:

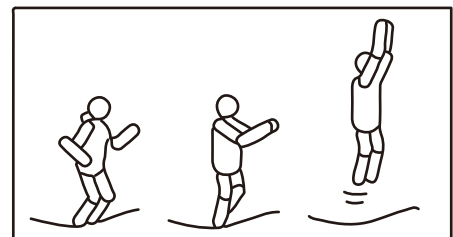
- Compruebe que los pasamanos estén firmes.
- Examine minuciosamente el material y las costuras de la red y las mangas de inserción. Su estado tiene que ser impecable.
- Compruebe que la cremallera y el gancho de la entrada funcionen perfectamente.
- Compruebe si todos los ganchos debajo del trampolín están enganchados en los ojales triangulares.

Técnicas básicas de salto

Dado que el riesgo de lesiones para los saltadores inexpertos es muy alto, resulta de vital importancia que aprenda las técnicas básicas de salto.

Salto básico

- Comience desde una posición de pie, con los pies separados al ancho de los hombros y la mirada en la colchoneta
- Balancee sus brazos hacia adelante y con movimientos circulares.
- Junte los pies en el aire y póngase de puntillas.
- Al aterrizar, los pies quedarán separados al ancho de los hombros.



La maniobra de interrupción

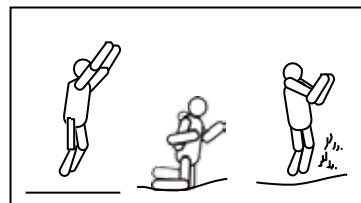
- El saltador ocasionalmente puede perder el control de su salto. Al realizar la maniobra de interrupción, el saltador puede recuperar el control del salto y su equilibrio.
- Empiece con un salto básico.
- Al aterrizar, levante las rodillas. Así es como puede interrumpir el salto.

El salto de mano/rodilla

- Comience con un salto base bajo controlado.
- Aterrice sobre las manos y rodillas, manteniendo la espalda recta.
- Presta atención a un buen aterrizaje de 4 puntos. La altura no debería importar.

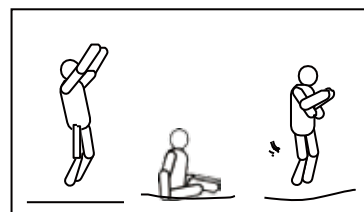
Salto de rodillas

- Comience con un salto base bajo controlado.
- Aterrice de rodillas, manteniendo el cuerpo erguido y la espalda recta. Usa los brazos para mantener el equilibrio.
- Vuelva a la posición básica moviendo los brazos hacia arriba.



Salto sentado

- Aterrice en una posición sentada plana.
- Ponga las manos en las caderas.
- Póngase de pie nuevamente empujándose con las manos.



Plan de entrenamiento

Siga el plan de entrenamiento para aprender los saltos básicos antes de intentar saltos más difíciles. Deberá leer atentamente las instrucciones de seguridad y comprender lo que necesita antes de comenzar a entrenar. El supervisor y el usuario deben analizar a fondo tanto las directrices de la cama elástica como las funciones corporales.

1.Sesiones prácticas

- Subir y bajar: representación de técnicas limpias
- Salto básico: demostración y práctica
- Maniobra de interrupción: demostración y práctica
- Salto de mano/rodilla: demostración y práctica

2.Sesiones prácticas

- Repetición de la última sesión
- Salto de rodillas: demostración y práctica
- Salto sentado: demostración y práctica
- Para lograr la rutina, comience con un salto sentado y luego un salto de rodilla.

3.Sesiones prácticas

- Repite lo que has aprendido en las sesiones anteriores.

Después de completar estas sesiones de práctica, tendrá conocimientos básicos. En el futuro, preste atención siempre al control y ejecución de sus saltos.

La siguiente representación se puede realizar para que los usuarios se acostumbren gradualmente a la cama elástica: el participante uno comienza con un salto, el participante dos repite este salto y añade otro. Los participantes se turnan y añaden otro salto cada uno. Aquel que haga todos los saltos hasta el final es el ganador. En este caso también es importante que todos los saltos se realicen de manera controlada.

No intente realizar saltos demasiado difíciles que no pueda dominar. Si desea mejorar aún más sus habilidades, deberá consultar a un instructor de cama elástica capacitado para ello.

Ejercicios de estiramiento

El salto diario en la cama elástica puede mejorar su salud. Sin embargo, antes de hacerlo, debe realizar estiramientos. Los ejercicios de estiramiento relajan y pueden mejorar la tensión muscular. Evitan lesiones musculares graves durante el ejercicio. Por tanto, es importante que los ejercicios de estiramiento se incluyan en su programa de ejercicios. Pero recuerde no comenzar a estirar hasta que haya calentado.

Los siguientes ejercicios son ejemplos de qué debe hacer antes de entrenar. Ejecute todos los movimientos de forma lenta y suave hasta que sienta un ligero tirón en los músculos. Es posible que desee aumentar la intensidad de sus estiramientos después de un tiempo, pero no lo haga hasta que le duela y no se detenga de forma brusca, ya que si lo hace las fibras musculares podrían romperse. Mantenga la intensidad de cada ejercicio entre 10 y 20 segundos. Inhale y exhale lentamente.

Pantorrillas

- Póngase frente a una pared a 90 cm de distancia, coloque una pierna 30 cm hacia adelante, doble ambas piernas y apóyese con las manos. Mantenga los talones en el suelo y gire los pies ligeramente hacia adentro (intensidad baja).
- O deje la pierna de atrás recta y lleve la otra pierna 60 cm hacia adelante. Utilice las manos para apoyarse. Mantenga los talones en el suelo y gire los pies ligeramente hacia adentro (intensidad alta).
- Repita con la otra pierna.

Cinta exterior

- La pierna que desee estirar, retroceda detrás del pie de la otra pierna. Mueva las caderas contra la pared, pero no la parte superior del cuerpo. No se incline hacia adelante. Repita con la otra pierna.

Parte baja de la espalda, caderas, ingle, muslo

- Separe los pies al ancho de los hombros. Inclínese hacia adelante desde las caderas. Mantenga las rodillas ligeramente flexionadas.

Laterales

- Los pies quedan separados al ancho de los hombros. Las rodillas permanecen ligeramente dobladas en todo momento. Coloque su mano izquierda sobre su cadera, extienda su brazo derecho y colóquelo sobre su cabeza. Estire lentamente la parte superior del cuerpo hacia la izquierda (intensidad baja).
- O estire ambos brazos sobre la cabeza, la mano izquierda tira del brazo derecho y doble lentamente la parte superior del cuerpo hacia la izquierda (intensidad más alta).
- Repita el ejercicio en el otro lado.

Muslo exterior

- Acuéstese boca abajo y tire del talón de la pierna izquierda hacia las nalgas con la mano derecha. Mantenga una distancia cómoda de su pierna extendida.
- Se puede hacer el mismo estiramiento estando de pie. Ni el muslo ni la parte superior del cuerpo deberán doblarse hacia adelante.
- Repita con la otra pierna.

Muslo interior

- Siéntese en el suelo con las plantas de los pies juntas. Empuje suavemente las rodillas hacia abajo con los codos.
- Coloque los pies separados 90-120 cm y gire ligeramente hacia afuera. Mantenga una pierna recta y dóblese sobre la otra rodilla.
- Repita en el otro lado.

Muslo trasero

- Doble una rodilla. La otra pierna se mantiene recta. Intente agarrar la punta del pie de tu pierna extendida con ambas manos.
- Repita el ejercicio con la otra pierna.

Glúteos

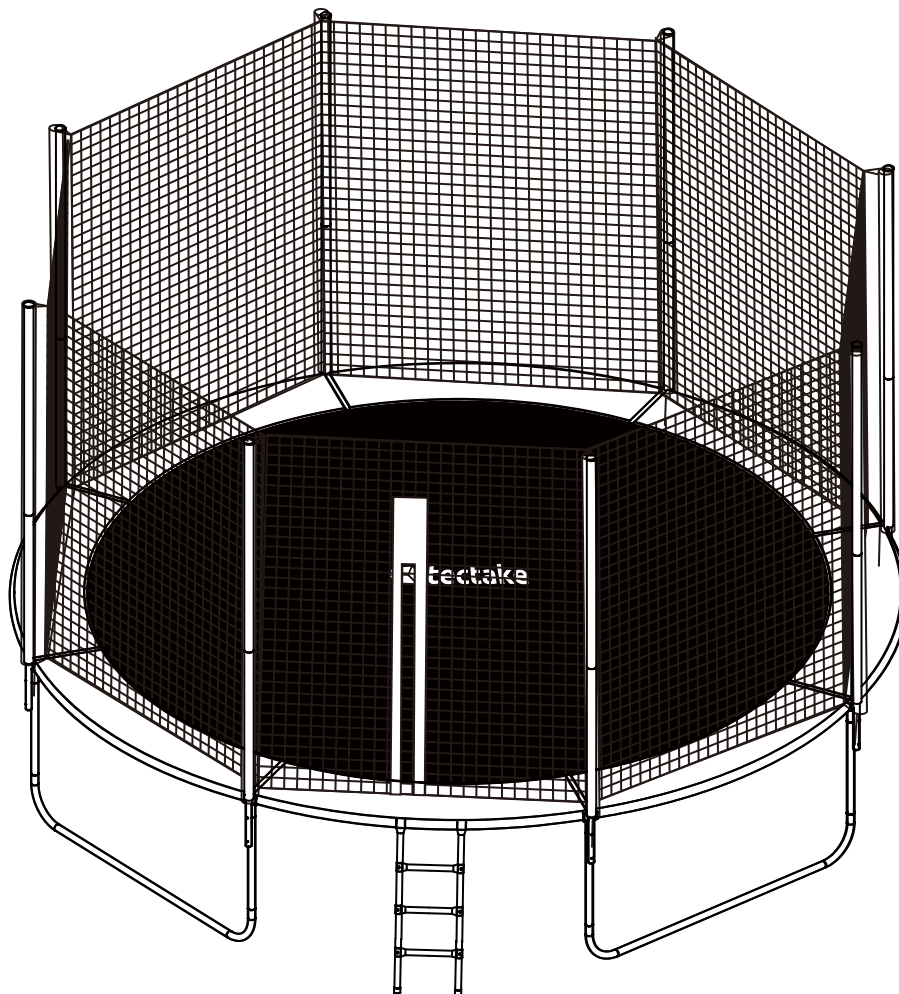
- Acuéstese boca arriba. Tire de una rodilla hacia el pecho mientras la otra pierna permanece plana en el suelo. Se puede hacer lo mismo estando de pie.
- Repita con la otra pierna.

Espinillas

- Cambia el peso corporal a una pierna. Extiende tu otra pierna hacia adelante, mueve tu tobillo hacia arriba y hacia abajo.
- Repita el ejercicio con la otra pierna.

ISTRUZIONI PER L'USO

Trampolino



Attenzione! Non adatto a bambini di età inferiore ai 36 mesi
Istruzioni per l'uso/per il montaggio
L'utilizzo del trampolino avviene a proprio rischio e pericolo!
Chi monta il prodotto è il solo responsabile dello stato di idoneità del trampolino!



GUIDA

Prima di utilizzare il trampolino leggere attentamente questa brochure informativa. Come per ogni altra attività sportiva anche in questo caso vi è rischio di infortuni. Per mantenere il rischio di infortuni il più basso possibile seguire le necessarie avvertenze di sicurezza.

- Questa guida è parte integrante di questo prodotto; conservarla quindi con cura per poterla consultare in ogni momento. Nel caso in cui si voglia dare il prodotto ad un'altra persona includere sempre queste istruzioni per l'utilizzo.
- L'utilizzo improprio del trampolino è pericoloso e può portare a infortuni seri o alla morte.
- I trampolini portano chi li utilizza spesso ad altezze di salto inconsuete e richiedono pertanto il controllo del corpo.
- Controllare prima di ogni utilizzo la stabilità del tappeto del trampolino e assicurarsi che nessuna parte sia allentata.
- Le indicazioni per il corretto montaggio-costruzione del trampolino, le indicazioni di sicurezza e le corrette tecniche di salto sono presenti in questa brochure. Gli utenti e i supervisori devono leggere queste indicazioni e familiarizzare con esse. Tutti coloro i quali utilizzano questo trampolino devono essere consapevoli dei propri limiti fisici e compiere esclusivamente dei salti che corrispondono alle proprie abilità individuali.
- Il trampolino non è concepito per essere inserito nel suolo

Oggetti piccoli/parti dell'imballaggio (Sacchetti di plastica, scatole, etc.)

- Conservare gli oggetti piccoli (per es. le viti e altro materiale di montaggio, carte) e le parti dell'imballaggio lontano dalla portata dei bambini in modo tale da evitare che questi oggetti possano essere ingoiati. Non lasciar giocare i bambini piccoli con pellicole di plastica. Vi è rischio di soffocamento!
- Non porre nessuna fonte di fiamme libere, per es. candele accese, sul trampolino.

Utilizzo conforme

- Questo prodotto serve all'esercizio fisico mediante il salto
- Esso è esclusivamente destinato a tale scopo e deve essere esclusivamente utilizzato a tale scopo. Deve essere utilizzato esclusivamente nel modo e nella maniera descritti in queste istruzioni per l'utilizzo.
- Questo trampolino non è destinato ad essere utilizzato da persone (specialmente da bambini) con limitate capacità fisiche, sensoriali o mentali, con poca esperienza e/o mancanza di consapevolezza, a meno che queste persone non siano vigilate da una persona responsabile per la loro sicurezza o ricevano da quest'ultima persona indicazioni su come utilizzare il trampolino. I bambini devono essere sorvegliati per essere sicuri che non giochino impropriamente con il trampolino.

Riparazioni

- Le riparazioni al trampolino devono essere effettuate esclusivamente da un laboratorio specializzato autorizzato.
- Una trasformazione o una modifica del prodotto ne pregiudicano la sicurezza. Attenzione pericolo infortuni!
- Non aprire i componenti del prodotto mai di propria iniziativa e non effettuare mai riparazioni da sé! Un assemblaggio errato può causare un funzionamento difettoso o una rottura totale.
- Non aprire in nessun caso le parti singole del prodotto.
- Non si accetta alcuna responsabilità per i danni subiti. Modifiche tecniche ed errori riservati!
- La garanzia decade in caso di manomissione del prodotto.

Istruzioni in materia di sicurezza

Leggere accuratamente queste istruzioni per l'uso prima dell'utilizzo. Un assemblaggio erraneo o un utilizzo inappropriato possono causare infortuni. Controllare l'assemblaggio del trampolino prima di ogni utilizzo. Se sono presenti dei dubbi sulla sicurezza del prodotto esso non deve essere utilizzato.

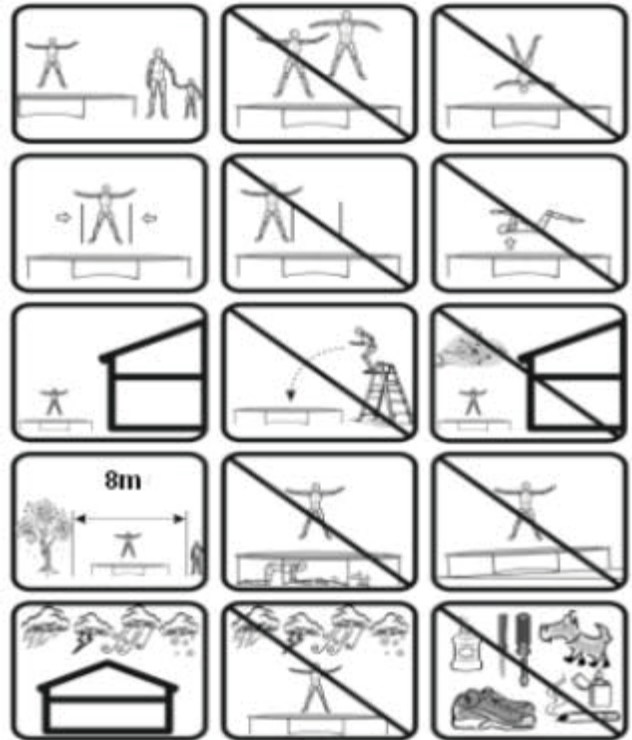
Il prodotto non è adatto a bambini al di sotto dei 3 anni. Fare in modo che i bambini al di sotto di questa età non abbiano accesso al trampolino.

Peso Massimo dell'utente: 150kg

Attenzione!

- Il prodotto deve essere utilizzato sempre e indipendentemente dall'età solo sotto supervisione. Fare una pausa ogni 20 minuti di utilizzo.
- I bambini possono utilizzare il trampolino solo se sorvegliati e devono essere guidati da un adulto prima dell'utilizzo.
- Nel caso in cui non sia stata fatta pratica nell'utilizzo del trampolino familiarizzare con cautela con la fisica del trampolino e del relativo salto.
- Svuotare le tasche e non avere nulla tra le mani prima dell'utilizzo.
- Il trampolino deve essere utilizzato da una persona alla volta. Rischio di collisione.
- Togliere le scarpe; è possibile utilizzare scarpe da ginnastica molto leggere con soles sottili.

- Saltare sempre in mezzo al telo per salto.
- Non avere con sé mentre si salta vestiti o oggetti che potrebbero rimanere agganciati.
- Il trampolino deve essere in piano e deve essere installato su di una superficie antiscivolo.
- Non lasciare il telo saltando.
- Il trampolino può essere mosso dal vento forte. Nel caso in cui sia possibile prevedere delle condizioni atmosferiche di forte vento trasportare il trampolino in un luogo protetto dal vento o fissarlo al suolo.
- Non utilizzare il trampolino se il telo per saltare è bagnato.
- Evitare in generale di muovere il prodotto quando è completamente montato. Nel caso in cui ciò fosse assolutamente necessario devono essere coinvolte almeno 4 persone robuste per muovere il trampolino in modo sicuro con il telo da salto disposto orizzontalmente.
- Non installare il trampolino nelle vicinanze di acqua e fare attenzione alle distanze sufficienti con case etc.
- Fare attenzione che non si trovino persone sotto al trampolino durante il suo utilizzo.
- Non deporre alcun oggetto sotto al trampolino.
- Fare attenzione prima dell'utilizzo a che il telo per saltare sia pulito e non umido. I teli per salto difettosi non devono essere utilizzati e devono essere sostituiti.
- Non utilizzare il trampolino in stato di ebbrezza o sotto l'effetto di medicinali.
- Il trampolino deve essere installato in modo tale che ci sia sufficiente spazio libero a partire dal telo per salto verso l'alto.
- Non installare in nessun caso il trampolino in condizioni ambientali pericolose – ad esempio nelle vicinanze di alberi, tralicci, condutture, recinti etc.
- Evitare che il trampolino venga esposto a tensione elettrica.
- Assicurarsi sempre che la cerniera della rete di sicurezza sia chiusa e agganciata.
- Non saltare volontariamente nella rete di sicurezza.
- Prima dell'utilizzo chiudere sempre l'apertura della rete.
- Non mangiare mentre si salta



- Non eseguire da inesperti salti rischiosi come le capriole.

Consigli per l'installazione

- Il trampolino deve essere montato da almeno due adulti idonei con la massima cura. In caso di domande rivolgersi al nostro servizio di assistenza. Prima di procedere con l'installazione leggere accuratamente tutte le istruzioni.
- Allontanare tutto il materiale di imballaggio e porre tutti i pezzi in un'area libera. In tal modo si avrà una panoramica che faciliterà notevolmente il montaggio.
- Confrontare le parti con la lista dei pezzi e assicurarsi che non manchi nulla.
- L'utilizzo di utensili e i lavori tecnici nascondono sempre un certo rischio di infortunio.
- Procedere pertanto con cautela.
- Fare in modo di lavorare in un ambiente privo di rischi, ad esempio: non lasciare in giro nessun attrezzo.
- Assicurarsi che il materiale di imballaggio, e specialmente pellicole e buste di plastica, non arrivino tra le mani dei bambini (rischio di soffocamento!). Smaltire il materiale di imballaggio in maniera opportuna.
- Dopo aver assemblato il trampolino secondo le istruzioni, controllare che tutte le viti e dadi così come tutti i punti di raccordo siano nella sede giusta.
- Porre il trampolino su di una superficie piatta e piana con almeno 2m di distanza da altre costruzioni o barriere, per es. recinti, garage, case, rami, bucato o cavi elettrici.
- il trampolino deve essere installato in modo sicuro prima dell'utilizzo su di un terreno piano, stabile e uniforme.
- Non utilizzare il trampolino in caso di pioggia, vento o temporale. Si consiglia di non lasciare il trampolino all'aperto in caso di maltempo.
- Il telaio metallico del trampolino conduce l'elettricità. Fare attenzione a che esso non venga a contatto con corrente elettrica (attenzione anche in caso di temporale).
- Non utilizzare il trampolino in caso di illuminazione scarsa.
- Altri accessori per il tempo libero non devono essere posti nelle vicinanze del trampolino.

Guida alla manutenzione

- Sono parti soggette a logorio le molle, i sostegni con i relativi attacchi, gli attacchi che collegano la copertura al trampolino e la rete per il salto
Proteggere il trampolino dall'umidità e dalle alte temperature.
- Tenere presente che il trampolino deve essere controllato di frequente per assicurare che sia idoneo al suo utilizzo, per es. sorvegliando lo stato di usura delle parti soggette a logorio.
- Fare attenzione alla seguente indicazione. È particolarmente importante che all'inizio di ogni stagione e regolarmente durante la stagione di utilizzo vengano seguite le indicazioni per la manutenzione.
- Una manutenzione regolare è necessaria. Una negligenza rispetto alla regolare manutenzione può danneggiare l'utente.
- Controllare la solidità di tutte le viti e dadi e stringerli se necessario.
- Controllare che tutte le estremità delle molle per il salto siano intatte e che non si possano allentare durante l'utilizzo.
- Controllare tutte le coperture per le viti e i bordi taglienti. Sostituire i pezzi necessari.

- Il trampolino non deve essere posto su superfici dure come asfalto, cemento etc. Se si utilizzano dadi o viti autobloccanti bisogna fare attenzione al fatto che essi sono monouso e che devono essere sostituiti.
- Si consiglia di cambiare la rete di sicurezza al massimo dopo 1 anno.
- Un trampolino che non riceve la manutenzione adeguata aumenta il rischio di infortunio.
- Controllare nel trampolino se il tappetino o il tappeto di copertura sono strappati o consumati, se il telaio è piegato o se mancano dei pezzi, se vi sono molle allentate o rotte, e la stabilità generale. Prima di ogni utilizzo il trampolino deve essere controllato. Parti usurate o difettose devono essere sostituite immediatamente. Il trampolino non deve essere utilizzato fino a quando la sua integrità non è stata completamente ripristinata.
- Quando non lo si utilizza conservare il trampolino in un luogo pulito ed asciutto.

Misure:

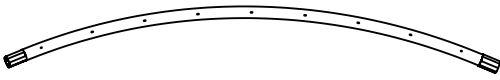
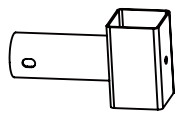
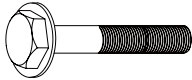
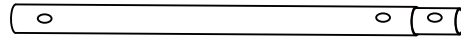
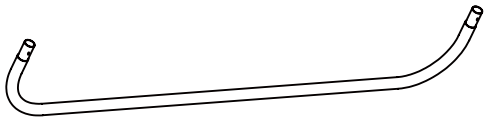
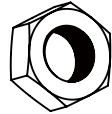
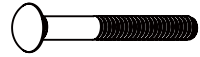
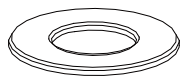

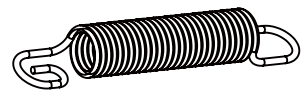
Modello	Altezza telaio	Altezza rete di sicurezza	Diametro complessivo	Altezza totale telaio con rete di sicurezza
403518	76cm	180cm	305cm	256cm
403519	80cm	180cm	366cm	260cm
403520	80cm	180cm	396cm	260cm
403521	80cm	180cm	427cm	260cm
403522	90cm	180cm	457cm	269cm

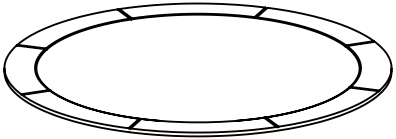
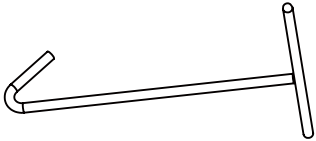

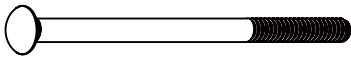
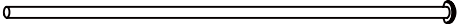
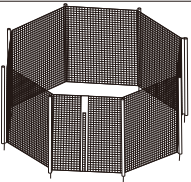
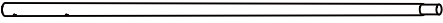
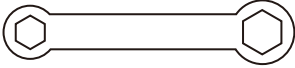
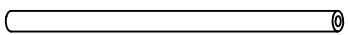
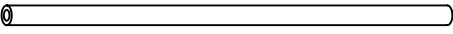
Montaggio

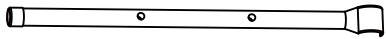
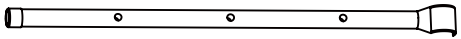
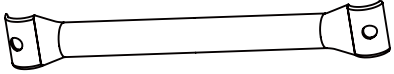
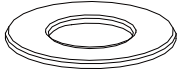
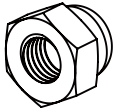
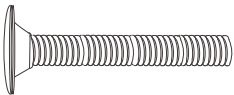
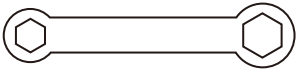
Attenzione

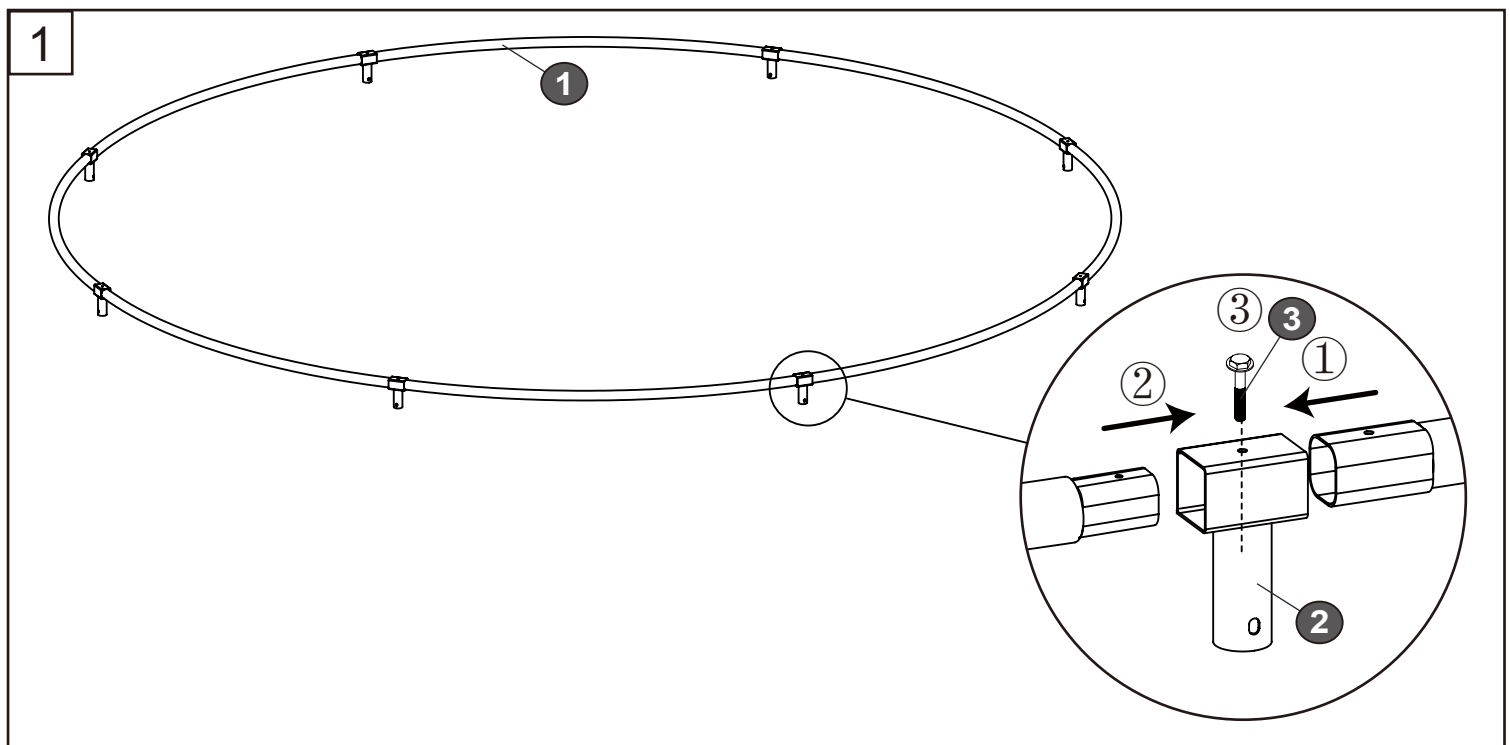
Per distinguere i diversi pezzi fare riferimento alla lista dei pezzi.

Attenzione: due persone adulte in buone condizioni fisiche sono necessarie per il montaggio. Per la loro sicurezza devono indossare scarpe e abbigliamento appropriato. L'inosservanza delle istruzioni può portare ad infortuni. Le immagini possono variare leggermente a seconda dei diversi modelli di trampolino.

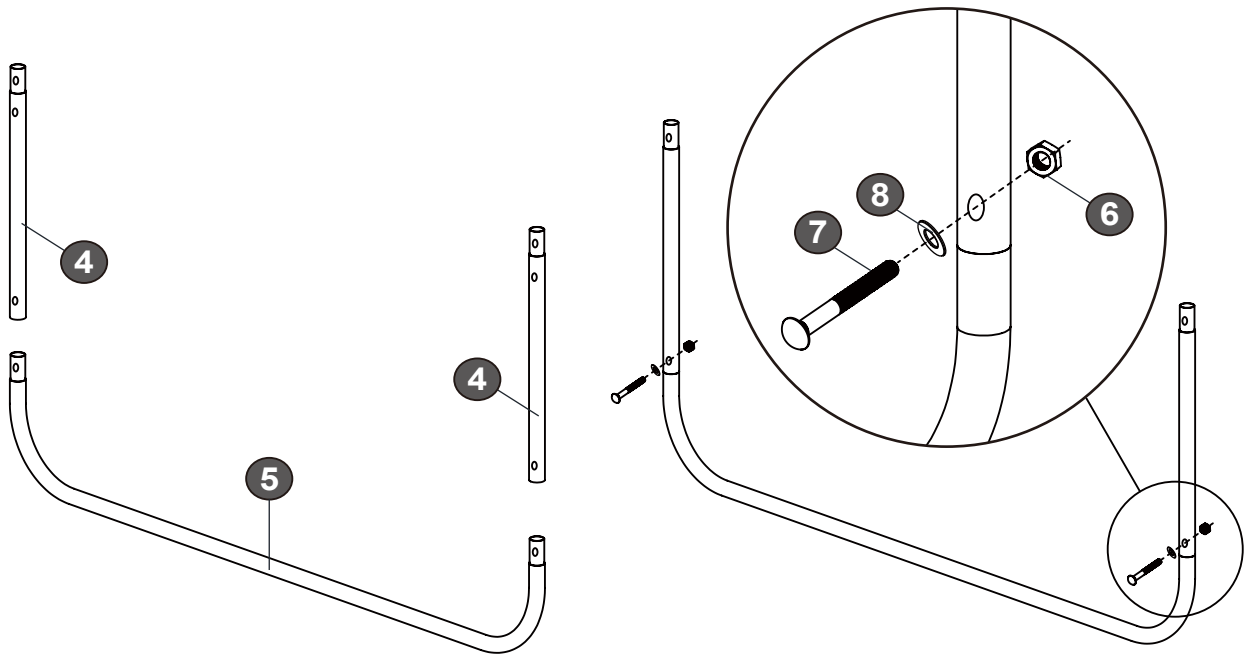
ID pezzo	Componente	Immagini	403518	403519	403520	403521	403522	Note
1	Asta per anello		6	8	8	10	10	403518 155,5cm 403519 144,5cm 403520 156,5cm 403521 136,5cm 403522 145,5cm
2	Pezzo a T		6	8	8	10	10	
3	Vite		6	8	8	10	10	M8X50mm
4	Prolunga gamba		6	8	8	10	10	403518 51cm 403519 51cm 403520 51cm 403521 51cm 403522 61cm
5	Piede		3	4	4	5	5	403518 151cm 403519 140cm 403520 153,5cm 403521 133,5cm 403522 140cm
6	Dado		18	24	24	30	30	M6
7	Vite		6	8	8	10	10	M6X45mm
8	Rondella piatta		18	24	24	30	30	Φ6X18X1mm
9	Rete per salto		1	1	1	1	1	403518 2610mm 403519 3230mm 403520 3540mm 403521 3840mm 403522 4040mm
10	Molle		60	72	80	80	90	403518 14.5cm 403519 14.5cm 403520 14.5cm 403521 14.5cm 403522 18cm

ID pezzo	Componente	Immagini	403518	403519	403520	403521	403522	Note
11	Piastre di copertura		1	1	1	1	1	403518 3.05m 403519 3.66m 403520 3.96m 403521 4.27m 403522 4.57m
12	Gancio per molle		1	1	1	1	1	
13	Pezzo intermedio	 Φ3.0×145mm(28N)	12	16	16	20	20	
14	Vite		12	16	16	20	20	M6X75mm
15	Barra superiore per rete di sicurezza		6	8	8	10	10	
16	Rete di sicurezza		1	1	1	1	1	
17	Barra inferiore		6	8	8	10	10	
18	Chiave per dadi		1	1	1	1	1	
19	Gommapiuma corta		6	8	8	10	10	
20	Gommapiuma lunga		6	8	8	10	10	

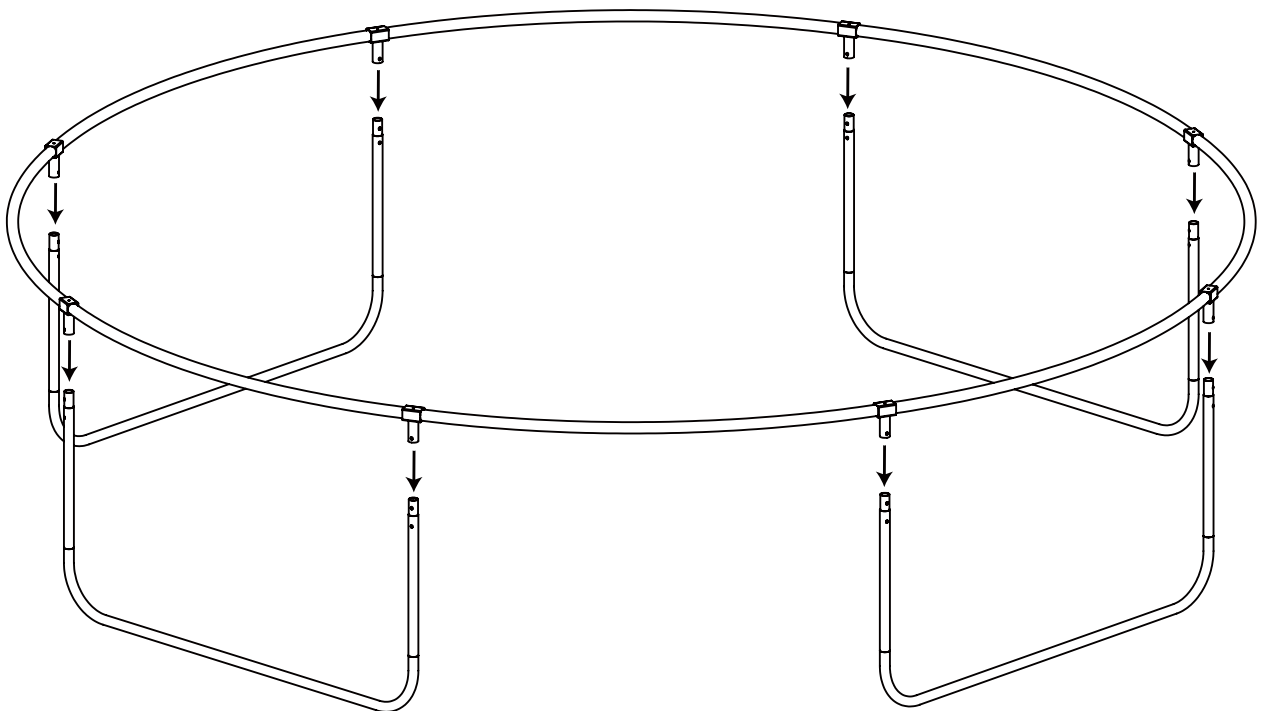
ID pezzo	Componente	Immagini	403518	403519	403520	403521	403522	Note
21	Guida barra	403518 403519 403520 403521 (86cm) 	2	2	2	2	2	
		403522 (96cm) 						
22	Guida barra trasversale		2	2	2	2	3	
23	Rondella piatta		4	4	4	4	6	
24	Dado		4	4	4	4	6	M6
25	Vite		4	4	4	4	6	M6X35
26	Vite per dadi		1	1	1	1	1	



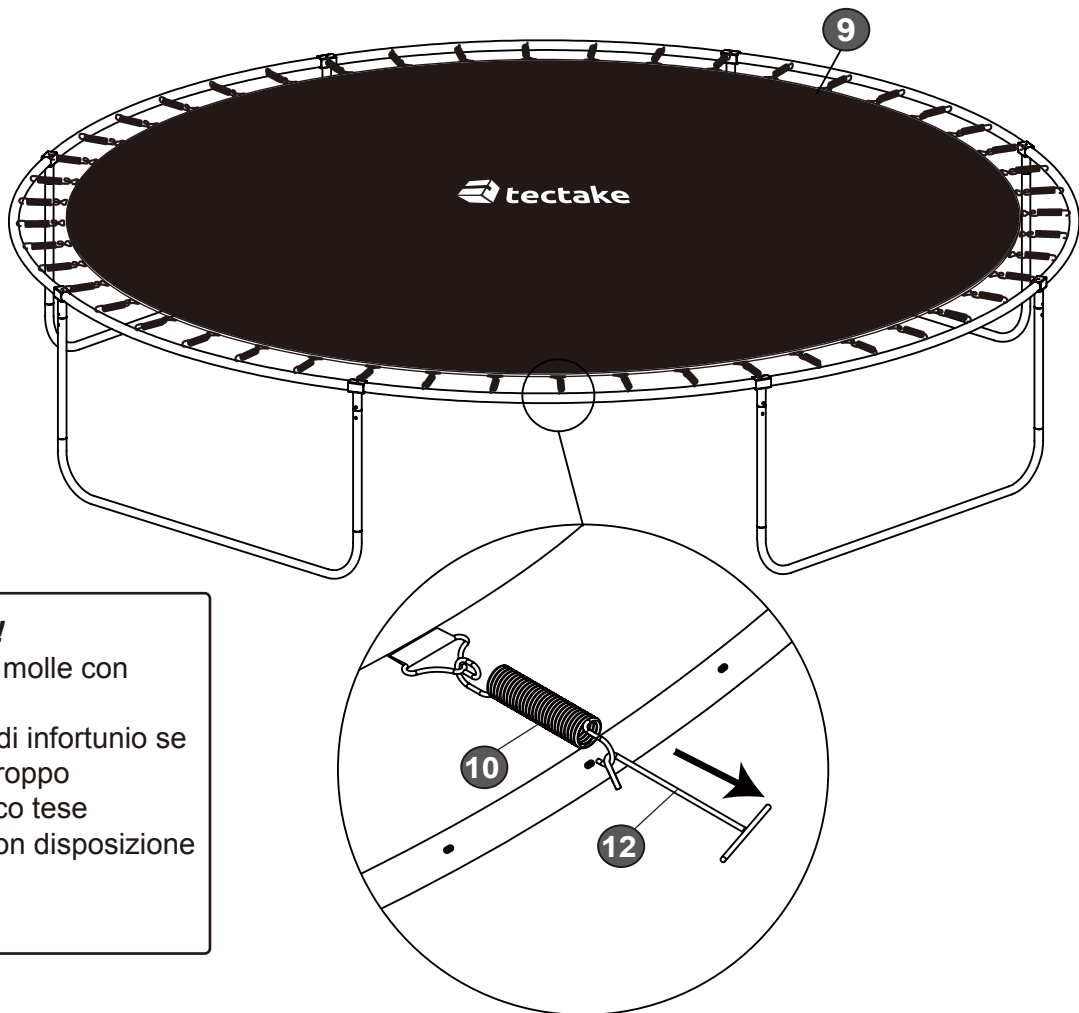
2



3



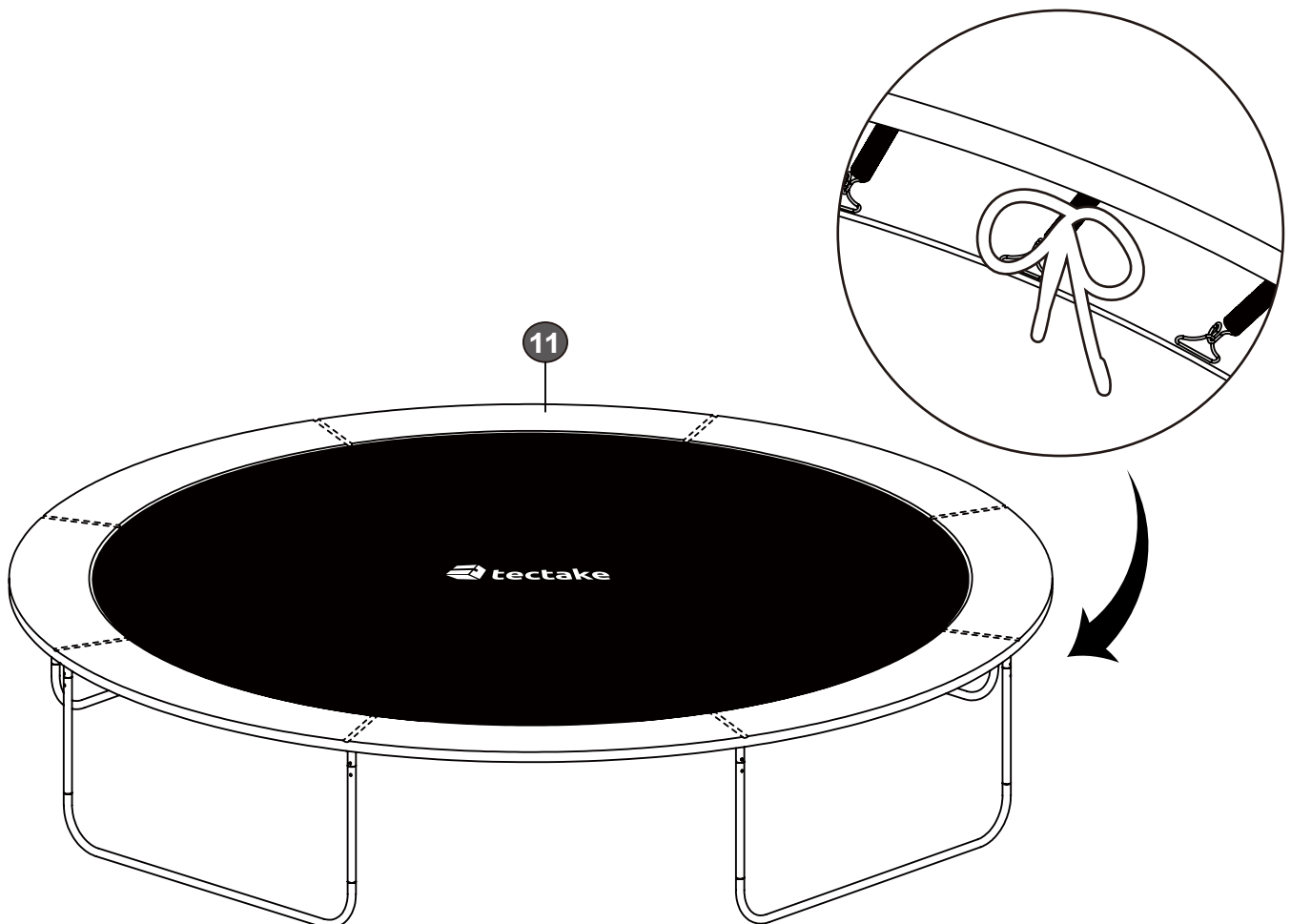
4

**Attenzione!**

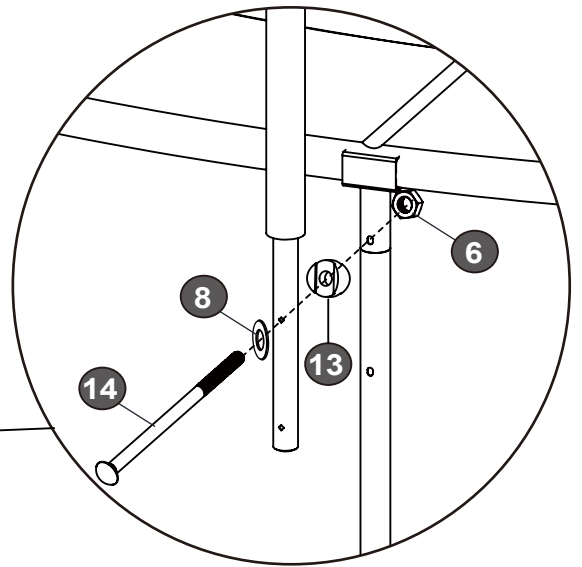
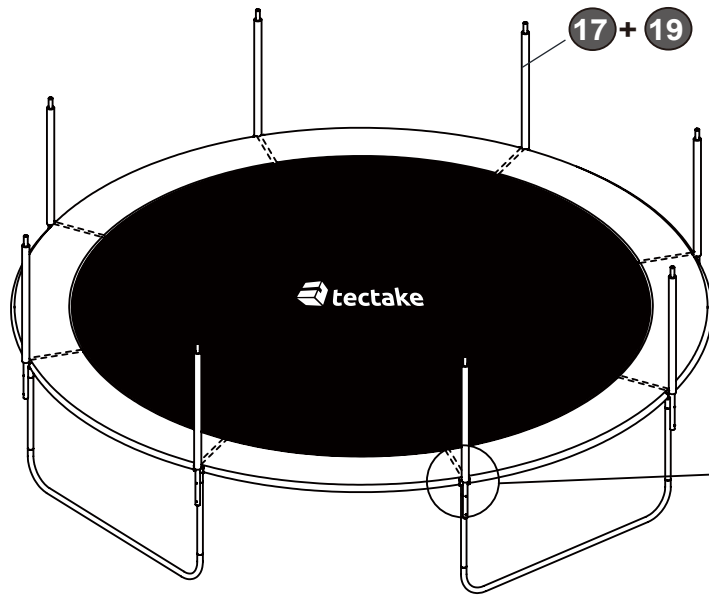
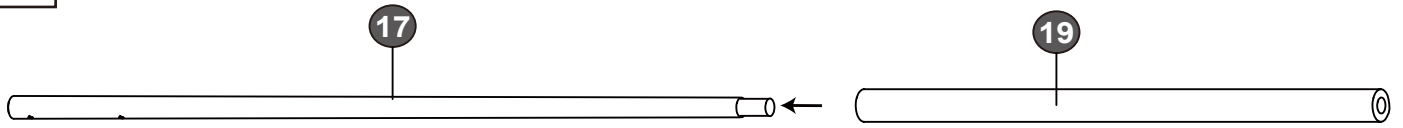
Installare le molle con
attenzione.

Vi è rischio di infortunio se
esse sono troppo
o troppo poco tese
Installarle con disposizione
simmetrica.

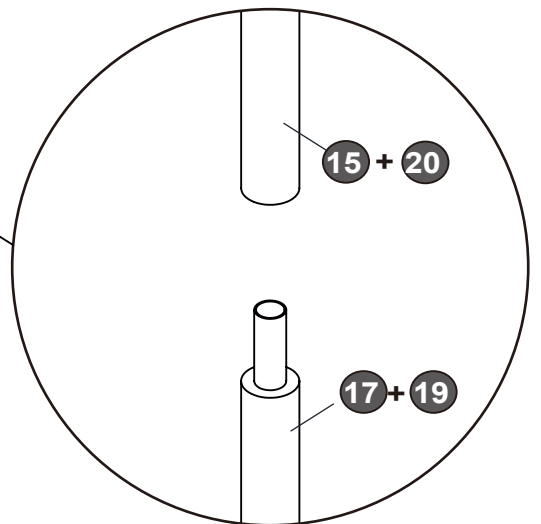
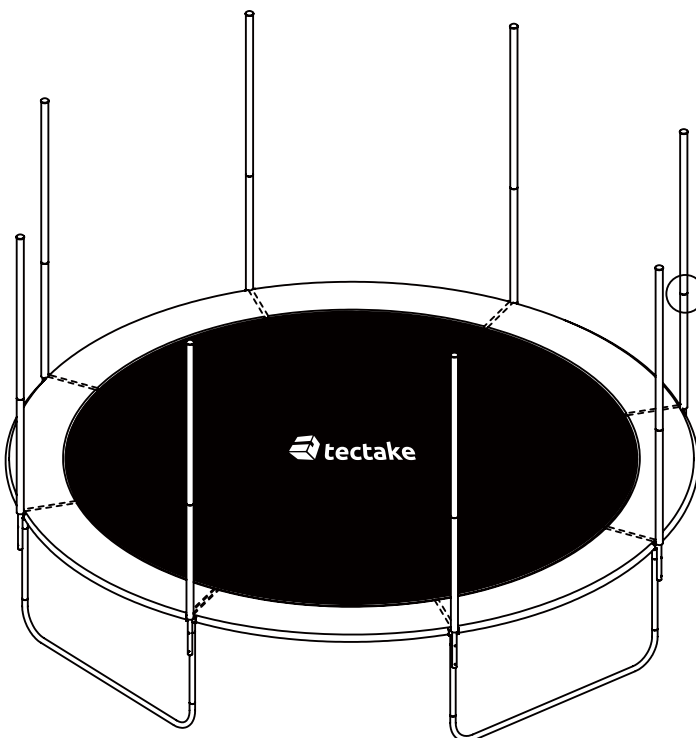
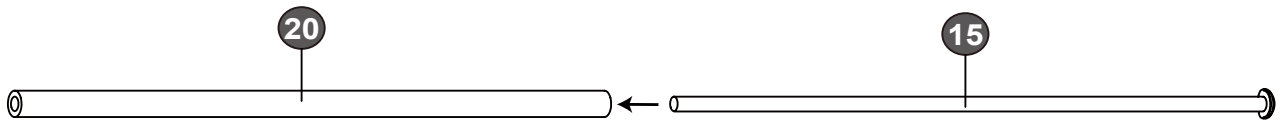
5



6

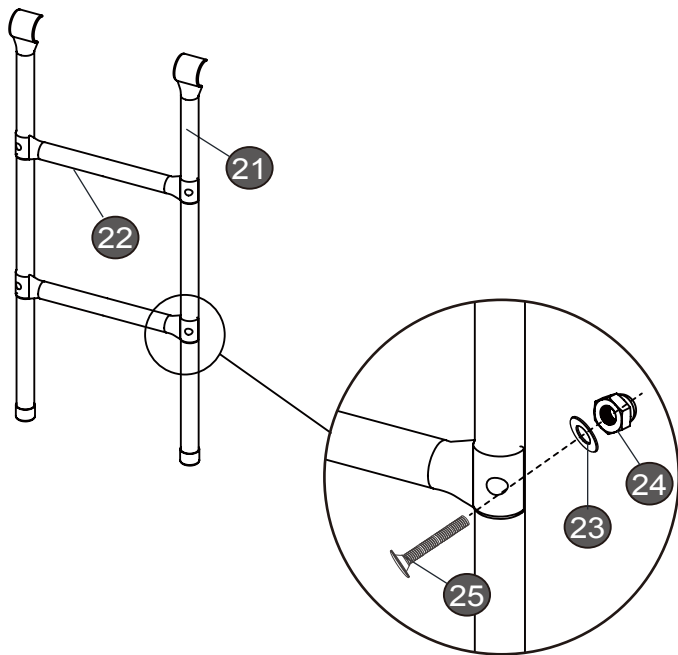


7

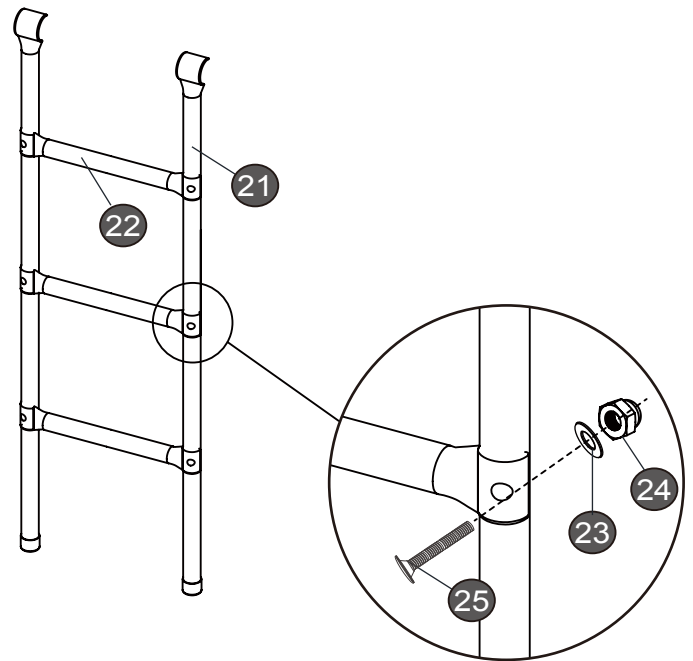


8

403518 403519 403520 403521



403522



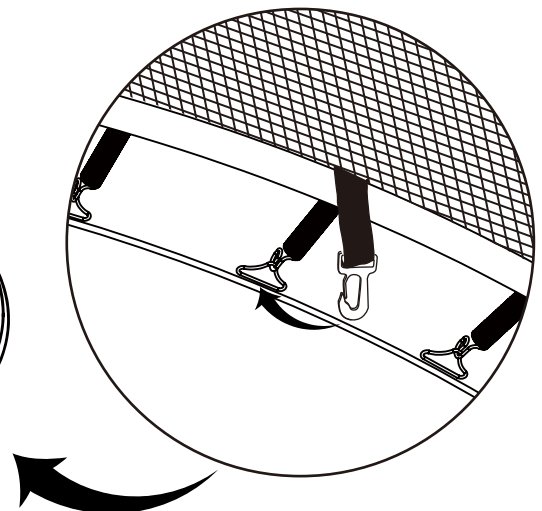
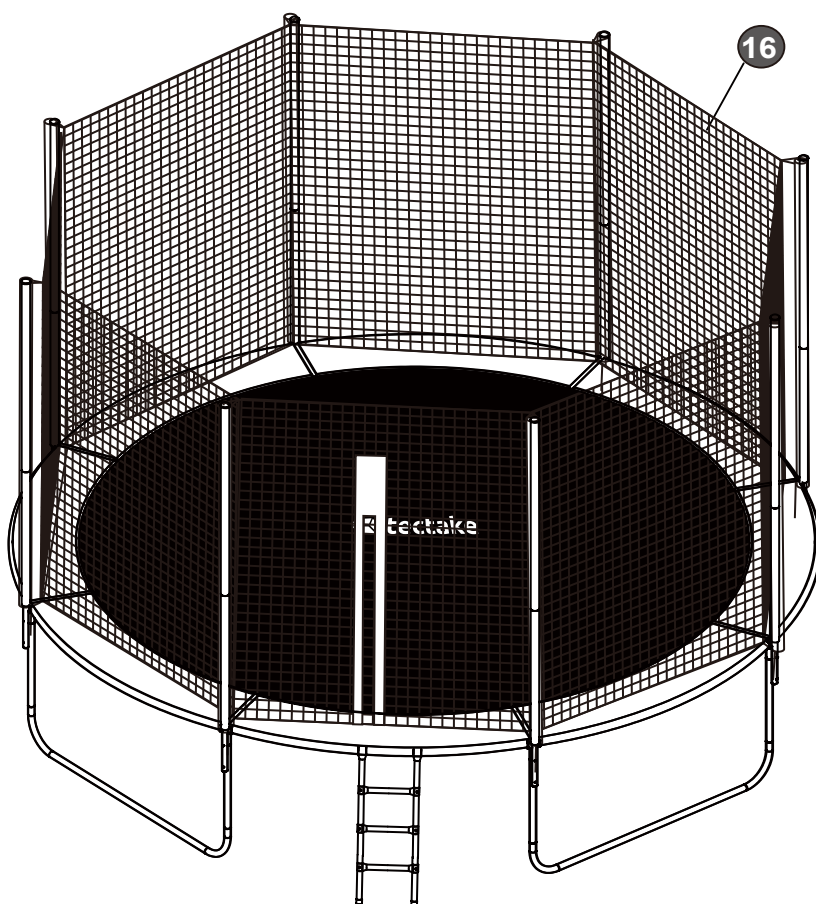
9

Attenzione!

Installare le molle con attenzione.

Vi è rischio di infortunio se le molle sono troppo o troppo poco tese.

Installarle con disposizione simmetrica.



Tirare la cerniera dell'apertura di entrata della rete di sicurezza e agganciare tutti i ganci dell'apertura di entrata. Il supervisore deve controllare la cerniera e i ganci prima che il trampolino possa essere utilizzato. Prima di testare il trampolino leggere la sezione „provare il trampolino “.

Per smontare il trampolino seguire le istruzioni per il montaggio in ordine inverso.

Provare il trampolino

Dopo il montaggio del trampolino è assolutamente necessario eseguire i seguenti controlli di sicurezza:

Controllo del trampolino:

- Assicurarsi con l'aiuto di un cacciavite che tutte le viti siano ben avvitate.
- Guardare sotto al trampolino e assicurarsi che tutte le molle siano agganciate in modo sicuro al telaio e negli occhielli triangolari del telo da salto.
- Scuotere il trampolino e controllare la stabilità del telaio e la resistenza. Il terreno deve essere piano.
- Assicurarsi che i tappetini di copertura, le molle e il telaio siano completamente coperti e attaccati in modo sicuro con i nastri.

Controllo della rete di sicurezza:

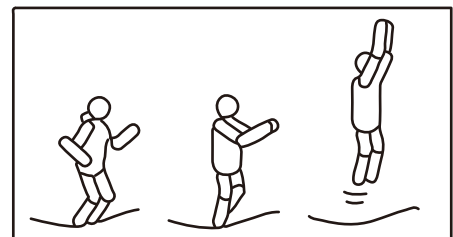
- Controllare il corrimano sia ben saldo.
- Controllare attentamente il materiale e la cucitura della rete e delle boccole di innesto. Lo stato deve essere perfetto.
- Controllare che la cerniera e i ganci dell'entrata funzionino correttamente.
- Controllare che tutti i ganci al di sotto del trampolino siano inseriti correttamente negli occhielli triangolari.

Tecniche di base di salto

Essendo il rischio di infortunio molto alto per i saltatori inesperti è importante apprendere le tecniche di base per saltare.

Il salto di base

- Iniziare in posizione eretta, i piedi leggermente divaricati guardando in basso verso il tappeto
- Fare oscillare le braccia in avanti in un movimento circolare.
- Portare i piedi in aria con la punta dei piedi piegata verso il basso.
- Atterrare sul tappeto con i piedi leggermente divaricati.



Manovra di interruzione

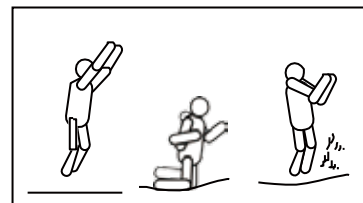
- A volte chi salta perde il controllo del proprio salto. Eseguendo la manovra di interruzione chi salta può riacquistare il controllo del salto e il proprio equilibrio.
- Iniziare con il salto di base.
- Mentre si atterra distendere le ginocchia. In tal modo si può interrompere il salto.

Il salto mani/ginocchia

- Iniziare con un salto di base basso e controllato.
- Atterrare sulle mani e ginocchia, con la schiena dritta.
- Fare in modo di atterrare bene sui 4 punti. L'altezza non è importante.

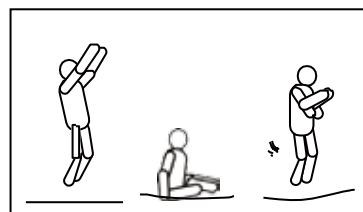
Salto con le ginocchia

- Iniziare con un salto di base basso e controllato.
- Atterrare sulle ginocchia mantenendo il corpo dritto come la schiena. Utilizzare le braccia per mantenere l'equilibrio.
- Saltare nella posizione di partenza facendo oscillare le braccia verso l'alto.



Salto da seduto

- Atterrare in posizione seduta piatta.
- Porre le mani accanto ai fianchi.
- Ritornare in posizione eretta facendo leva sulle mani.



Piano di allenamento

Seguire il piano di allenamento per apprendere i salti di base prima di osare salti più difficili. Leggere accuratamente le indicazioni di sicurezza ed essere consapevoli delle proprie necessità prima di iniziare l'allenamento. Il supervisore e l'utente devono discutere in dettaglio le regole del trampolino e anche le funzioni corporee.

1. Sessione di allenamento

- Salire e scendere – presentazione di una buona tecnica
- Salto di base – dimostrazione e pratica
- Manovra d'interruzione – dimostrazione e pratica
- Salto mani-/ginocchia – dimostrazione e pratica

2. Sessione di allenamento

- Ripetizione della sessione precedente
- Salto con le ginocchia – dimostrazione e pratica
- Salto da seduto – dimostrazione e pratica
- Per sviluppare una routine iniziare con un salto da seduto e concludere con un salto con le ginocchia.

3. Sessione di allenamento

- Ripetere quanto appreso nelle precedenti sessioni.

A compimento di queste sessioni di allenamento si disporrà di una conoscenza di base. Fare attenzione sempre anche successivamente al controllo e all'esecuzione dei propri salti.

Il seguente gioco può essere eseguito per far abituare l'utente progressivamente al trampolino: l'utente uno inizia con un salto, l'utente due lo ripete e ne aggiunge un altro a sua volta. Gli utenti si avvicinano e aggiungono ciascuno volta per volta un altro salto. L'utente che esegue tutti i salti alla fine «vince». Anche in questo caso è importante che tutti i salti vengano eseguiti in modo controllato. Non provare ad eseguire salti troppo difficili che non si padroneggiano. Se si vogliono migliorare le proprie capacità è consigliabile contattare un istruttore qualificato di trampolino.

Esercizi di stretching

Saltare quotidianamente dal trampolino può giovare alla salute. Prima in ogni caso bisogna fare esercizi di stretching. Gli esercizi di stretching rilassano e possono allentare le tensioni muscolari. Durante l'allenamento si prevengono seri infortuni muscolari. È pertanto importante che gli esercizi di stretching vengano inclusi nel programma di allenamento. Fare attenzione però ad iniziare lo stretching solo dopo essersi riscaldati.

I seguenti esercizi sono esempi che possono essere seguiti prima dell'allenamento. Eseguire ogni movimento in modo lento e morbido fino a quando non si avverte un leggero tirare dei muscoli. Eventualmente si potrebbe voler aumentare l'intensità dello stretching dopo un po', non però fino a che esso possa provocare dolore; in tal caso smettere immediatamente altrimenti le fibre muscolari potrebbero strapparsi. Eseguire ogni esercizio tra i 10 e i 20 secondi. Inspirare ed espirare lentamente.

Polpacci

- Posizionarsi a 90 cm da un muro, mettere una gamba 30 cm in avanti, piegare entrambe le gambe supportandosi con le mani. Mantenere i talloni per terra e girare i piedi leggermente verso l'interno (bassa intensità).
- Alternativamente lasciare stesa la gamba posteriore e portare l'altra gamba 60 cm in avanti. Supportarsi con le mani. Mantenere i talloni per terra e girare leggermente i piedi verso l'interno (intensità maggiore).
- Ripetere con l'altra gamba.

Esterno coscia

- Fare un passo indietro con la gamba che deve essere piegata, un passo indietro ripetto al piede dell'altra gamba. Muovere i fianchi verso il muro, ma non il busto. Non piegarsi in avanti. Ripetere il tutto con l'altra gamba.

Zona sacrale, fianchi, inguine, bicipite

- Porre le gambe leggermente divaricate. Inclinarsi dai fianchi in avanti. Mantenere le ginocchia leggermente angolate.

Fianchi

- Gambe parallele leggermente divaricate. Ginocchia sempre leggermente angolate. Porre la mano sinistra sul fianco, estendere il braccio destro e portarlo sulla testa. Flettere il busto leggermente verso sinistra (bassa intensità).

Alternativamente estendere entrambe le braccia sulla testa, la mano sinistra tira il
- braccio destro
Piegare il busto lentamente verso sinistra (intensità maggiore).
- Ripetere il tutto con l'altro fianco.

Esterno coscia

- Stendersi sulla pancia e tirare il tallone della gamba sinistra con la mano destra sulla natica. Mantenere una distanza comoda dalla gamba stesa.
- Lo stesso esercizio può essere eseguito in piedi. In tal caso non devono essere piegati in avanti nè la coscia nè il busto.
- Ripetere con l'altra gamba.

Interno coscia

- Sedersi per terra con la pianta dei piedi una di fronte all'altra. Premere il ginocchio leggermente con il gomito.
- Porre i piedi a 90 – 120 cm uno dall'altro e ruotare leggermente verso l'esterno. Tenere una gamba dritta e piegarsi verso l'altro ginocchio.
- Ripetere con l'altro fianco.

Retrocoscia

- Piegare un ginocchio. L'altra gamba è stesa. Cercare di prendere con entrambe le mani la punta dei piedi della gamba stesa.
- Ripetere l'esercizio con l'altra gamba.

Glutei

- Stendersi sulla schiena. Portare un ginocchio al petto mentre l'altra gamba rimane distesa sul pavimento. Lo stesso esercizio si può eseguire in piedi.
- Ripetere con l'altra gamba.

Stinco

- Porre il peso del proprio corpo su di una gamba. Tendere l'altra gamba in avanti e muovere la caviglia su e giù.
- Ripetere questo esercizio con l'altra gamba.