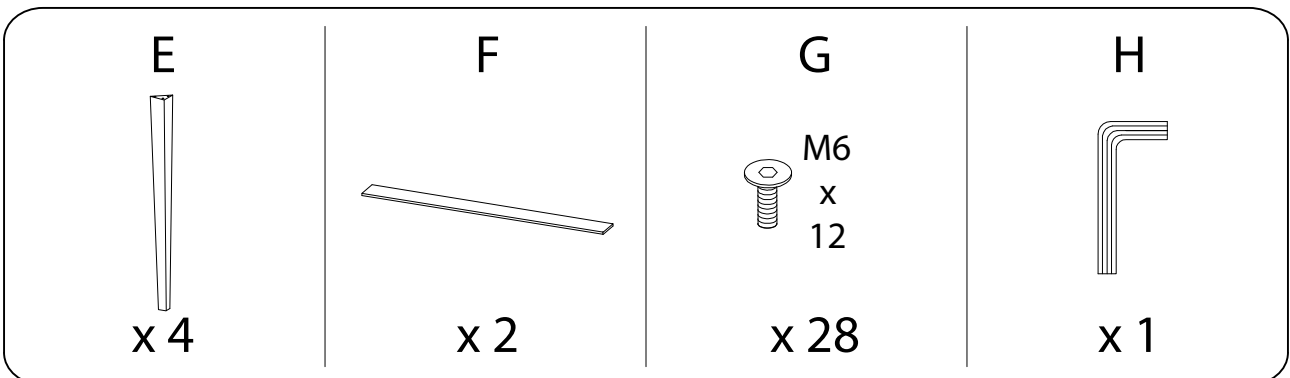
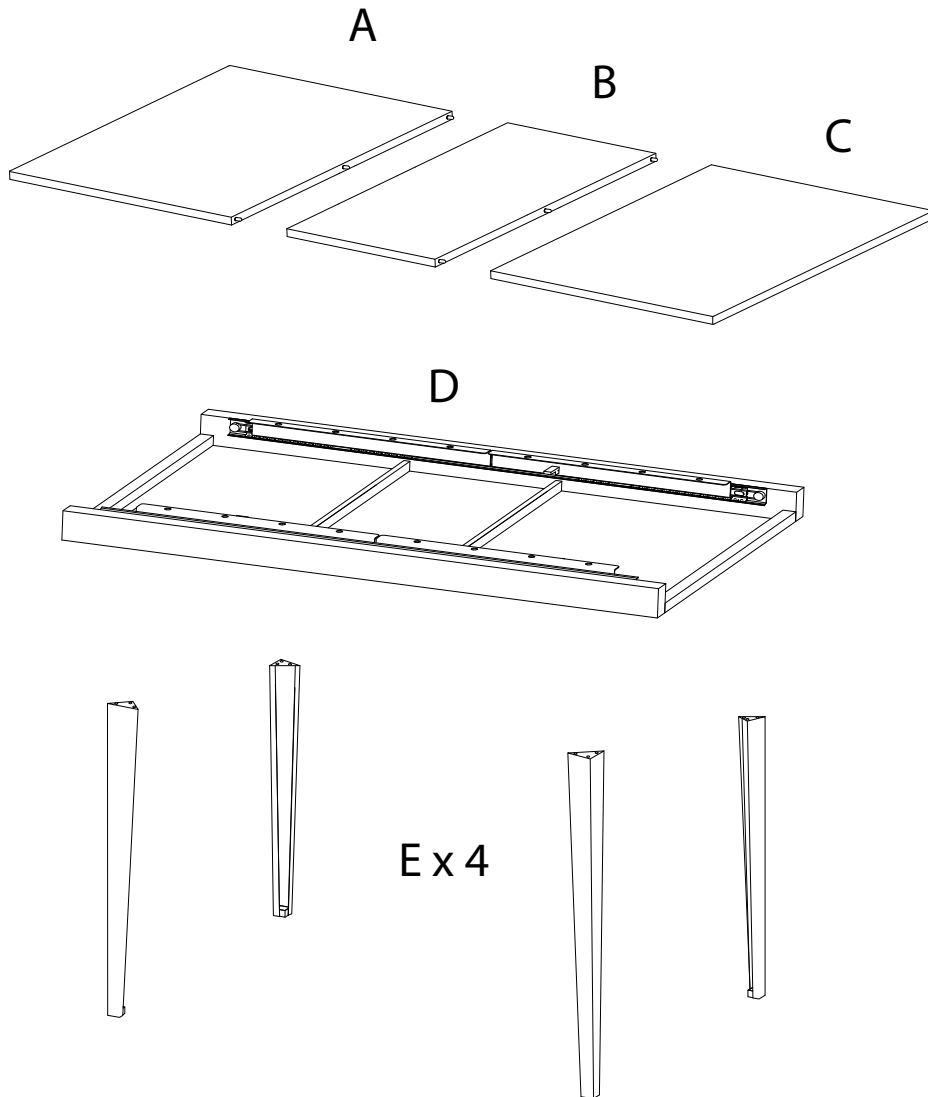
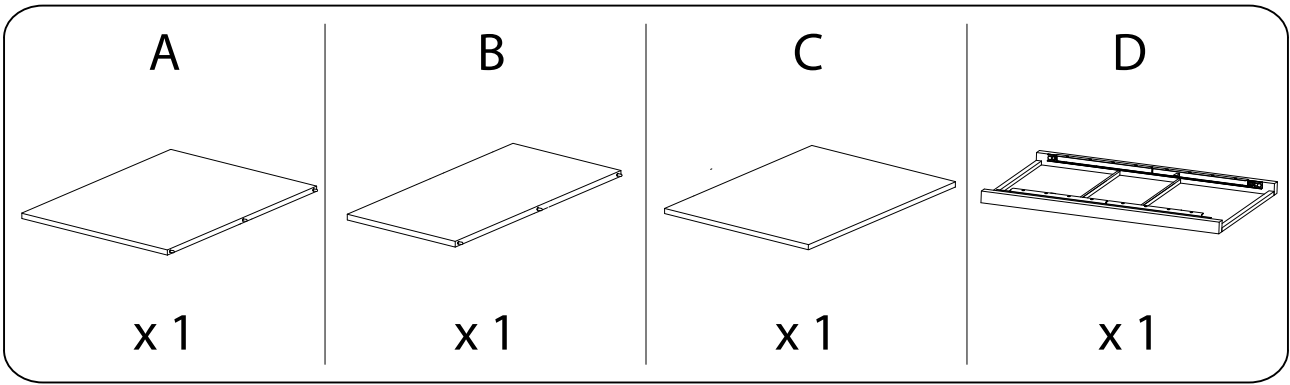
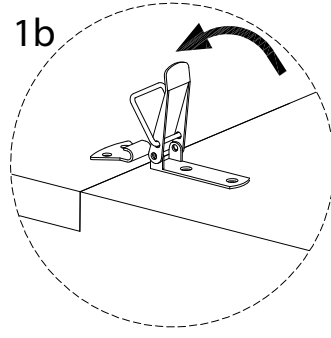
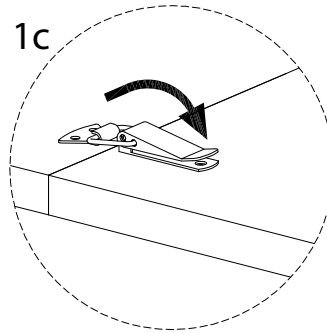
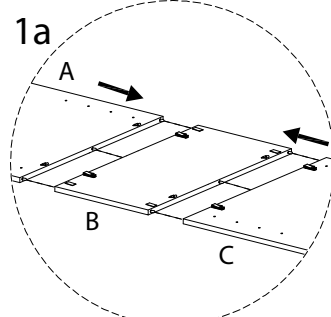
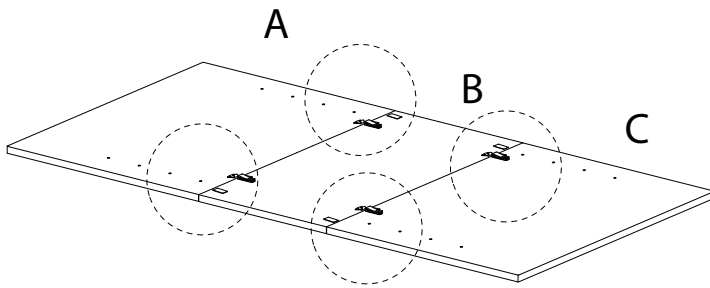
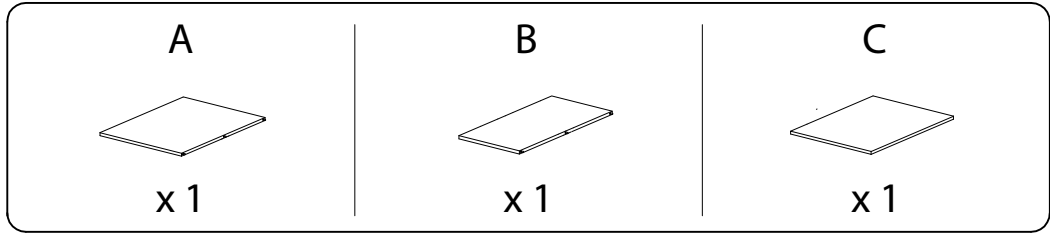


Diagram illustrating assembly instructions and safety warnings:

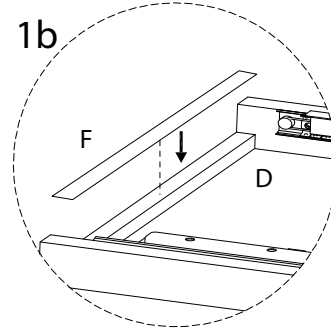
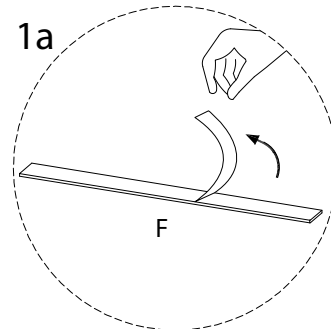
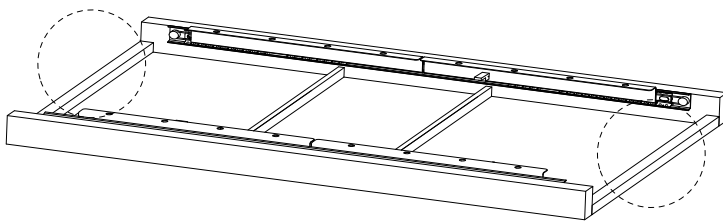
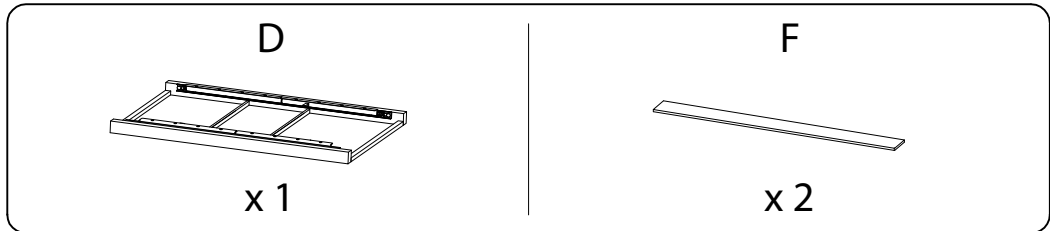
- Warning 1:** A warning triangle with an exclamation mark is positioned above a box containing:
 - An icon of an L-shaped metal bracket.
 - An icon of a power drill with a diagonal line through it, indicating that a power drill should not be used.
- Warning 2:** A second warning triangle with an exclamation mark is positioned above a box containing:
 - An icon of a rectangular block being placed on a surface with a diagonal line through it, indicating that the block should not be placed on the surface.
- Time:** A clock icon is shown next to the text "30'", indicating an estimated assembly time of 30 minutes.
- Person:** An icon of a person is shown next to the number "1", indicating that one person is required for assembly.



1



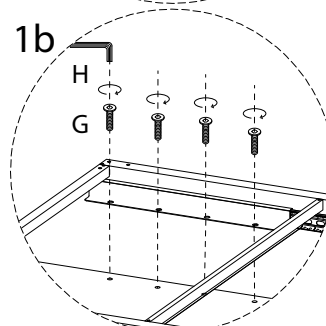
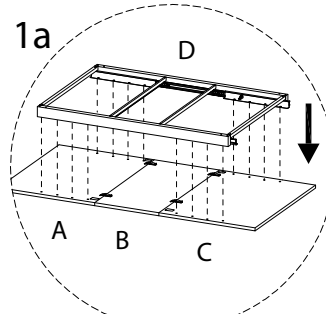
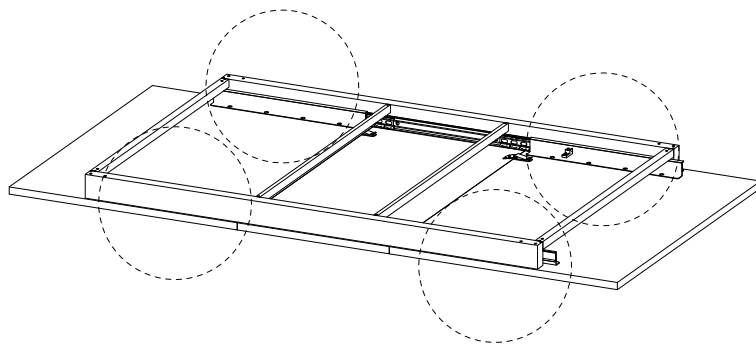
2



3

G
M6
x
12
x 16

H
x 1

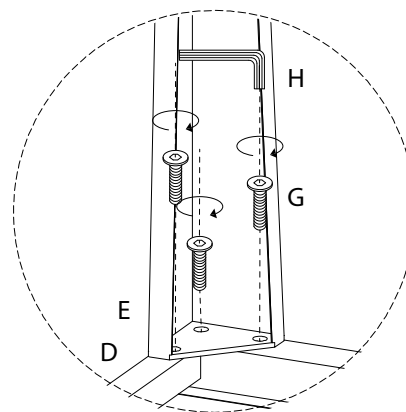
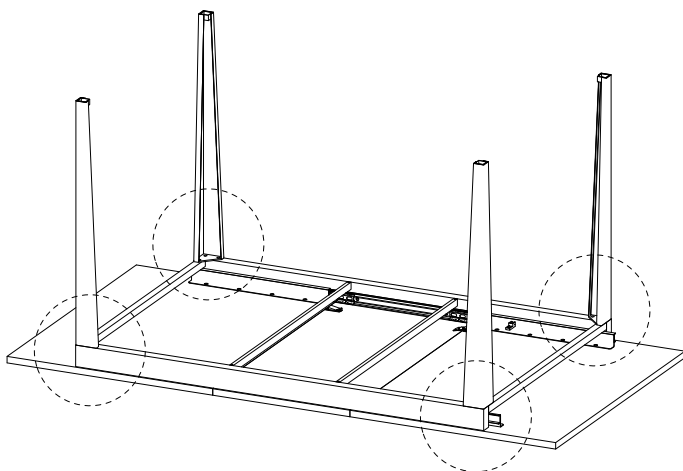


4

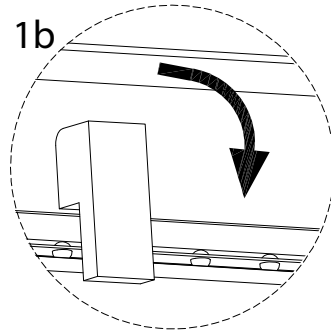
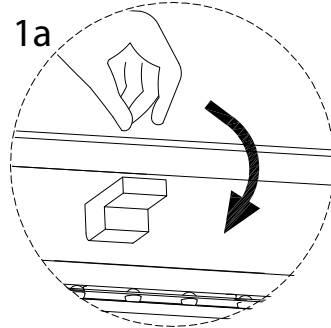
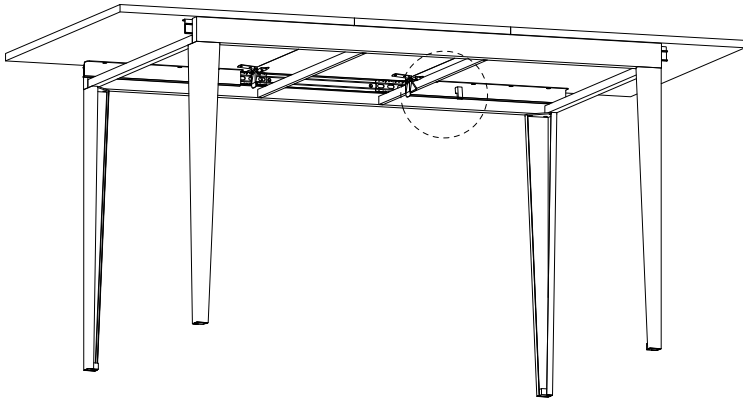
E
x 4

G
M6
x
12
x 12

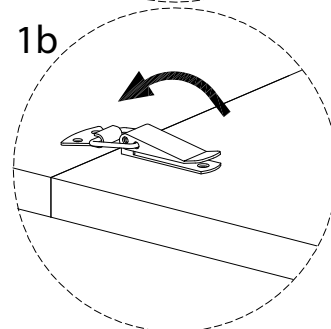
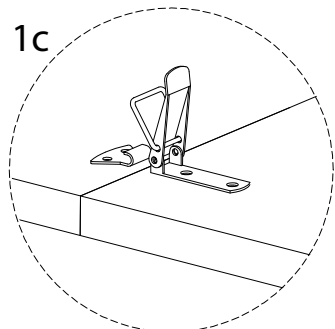
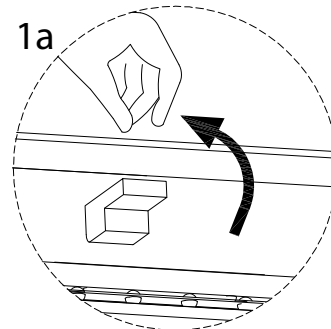
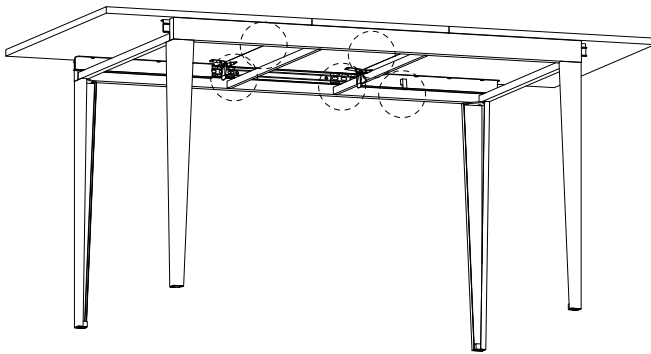
H
x 1



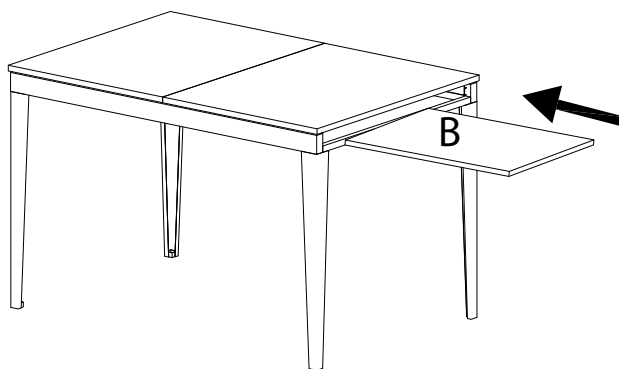
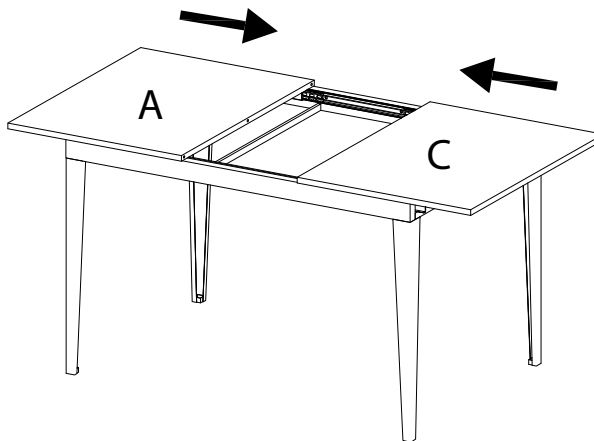
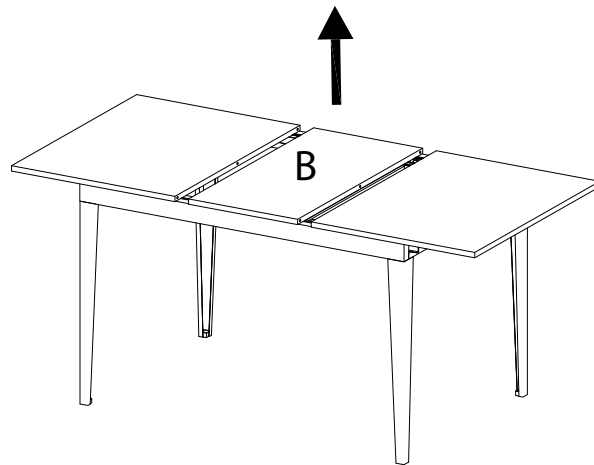
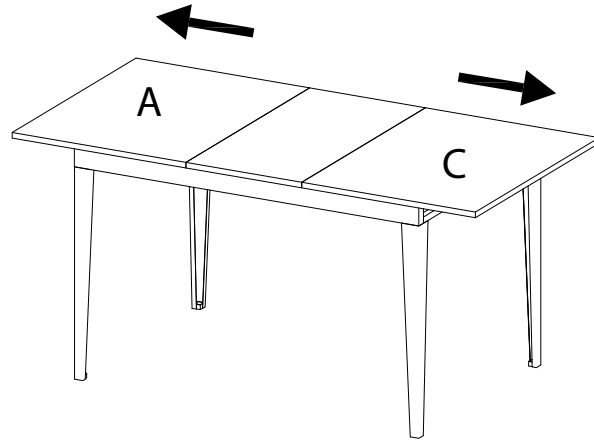
5



!



!



!

