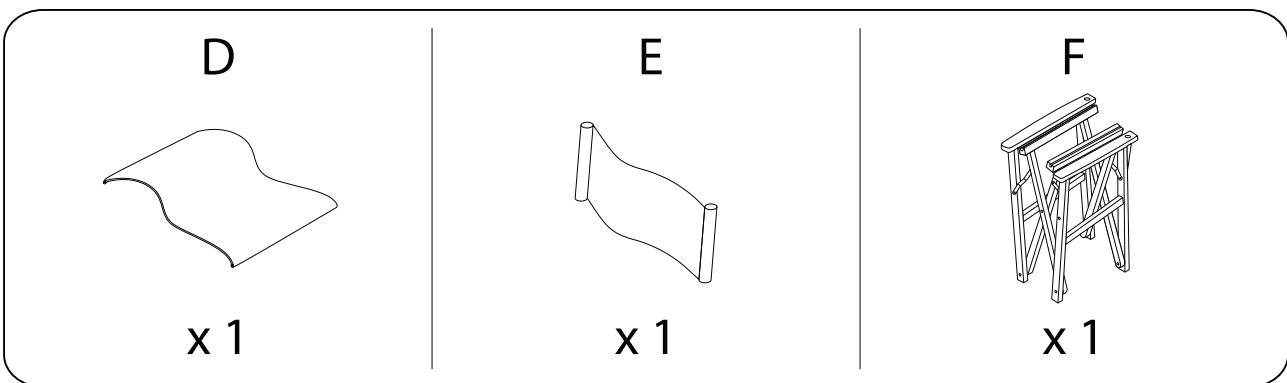
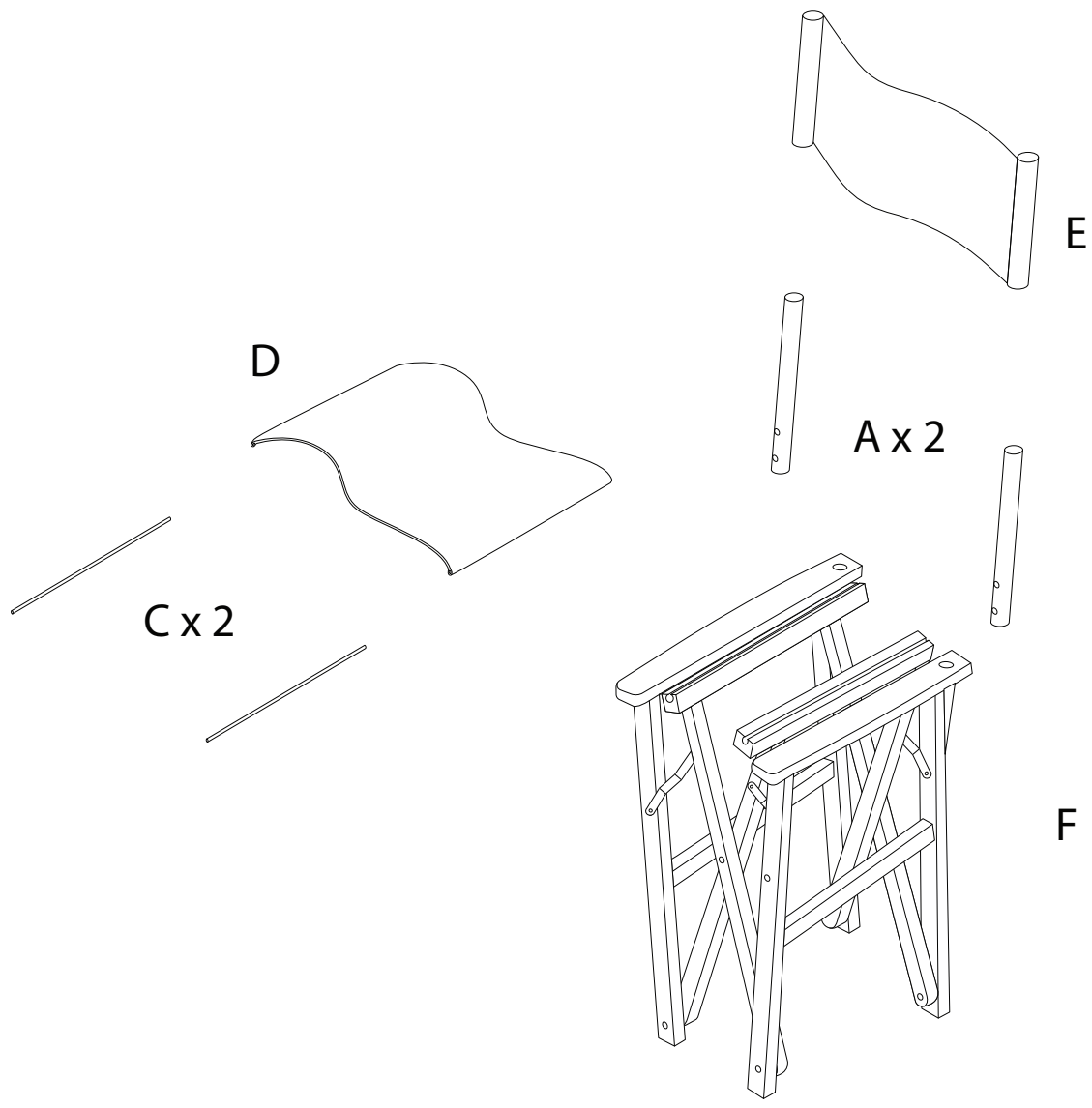
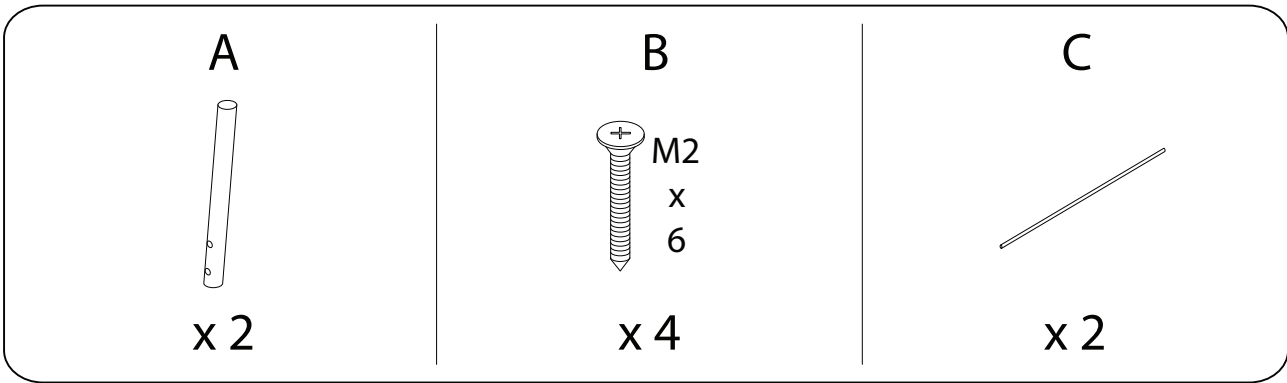


1/4

30'

1

The diagram consists of two rectangular boxes, one above the other. The top box contains a circular icon of a screwdriver on the left and a crossed-out power drill icon on the right. Above the top box is a warning triangle containing an exclamation mark. To the right of the top box is a clock icon with the text '30'' below it. The bottom box contains a circular icon of a block of wood on a surface on the left and a crossed-out block of wood on the right. Above the bottom box is another warning triangle containing an exclamation mark. To the right of the bottom box is a person icon with the text '1' below it. The text '1/4' is located at the bottom center of the diagram.

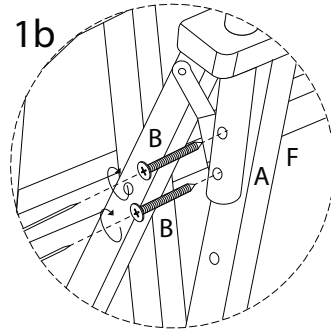
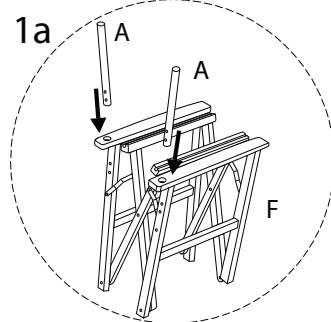
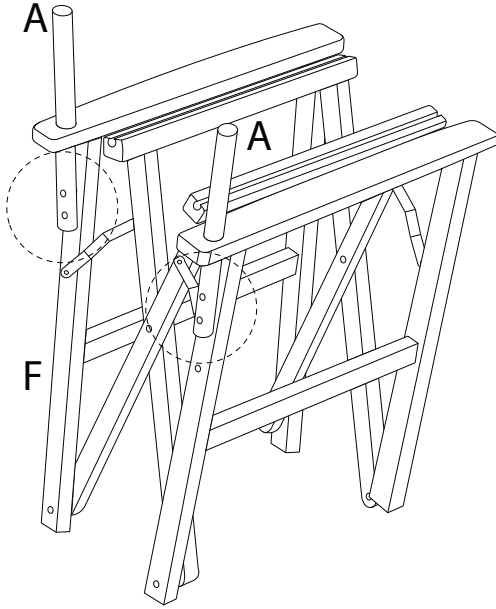


1

A
x2

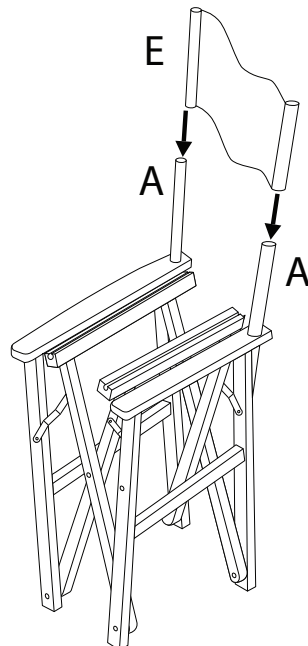
B
M2
x 6
x4

F
x1

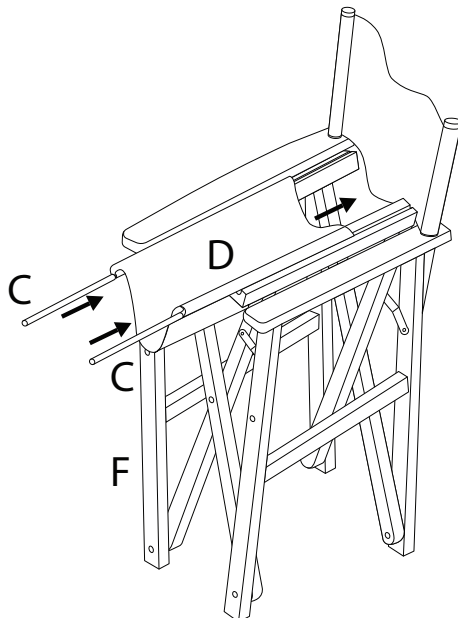
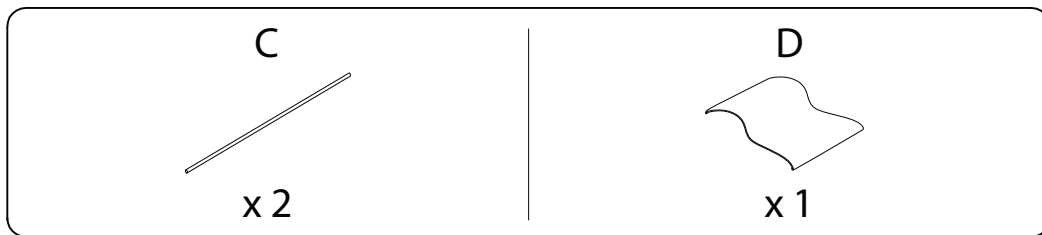


2

E
x1



3



4

