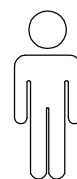
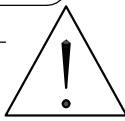
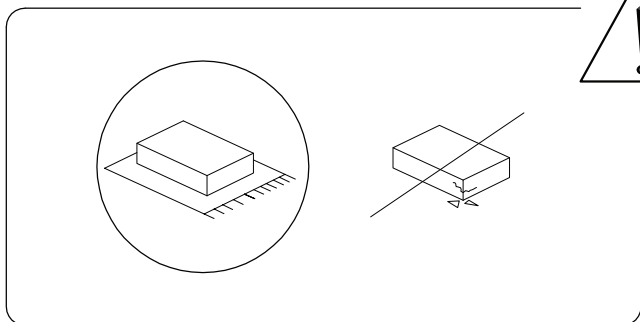
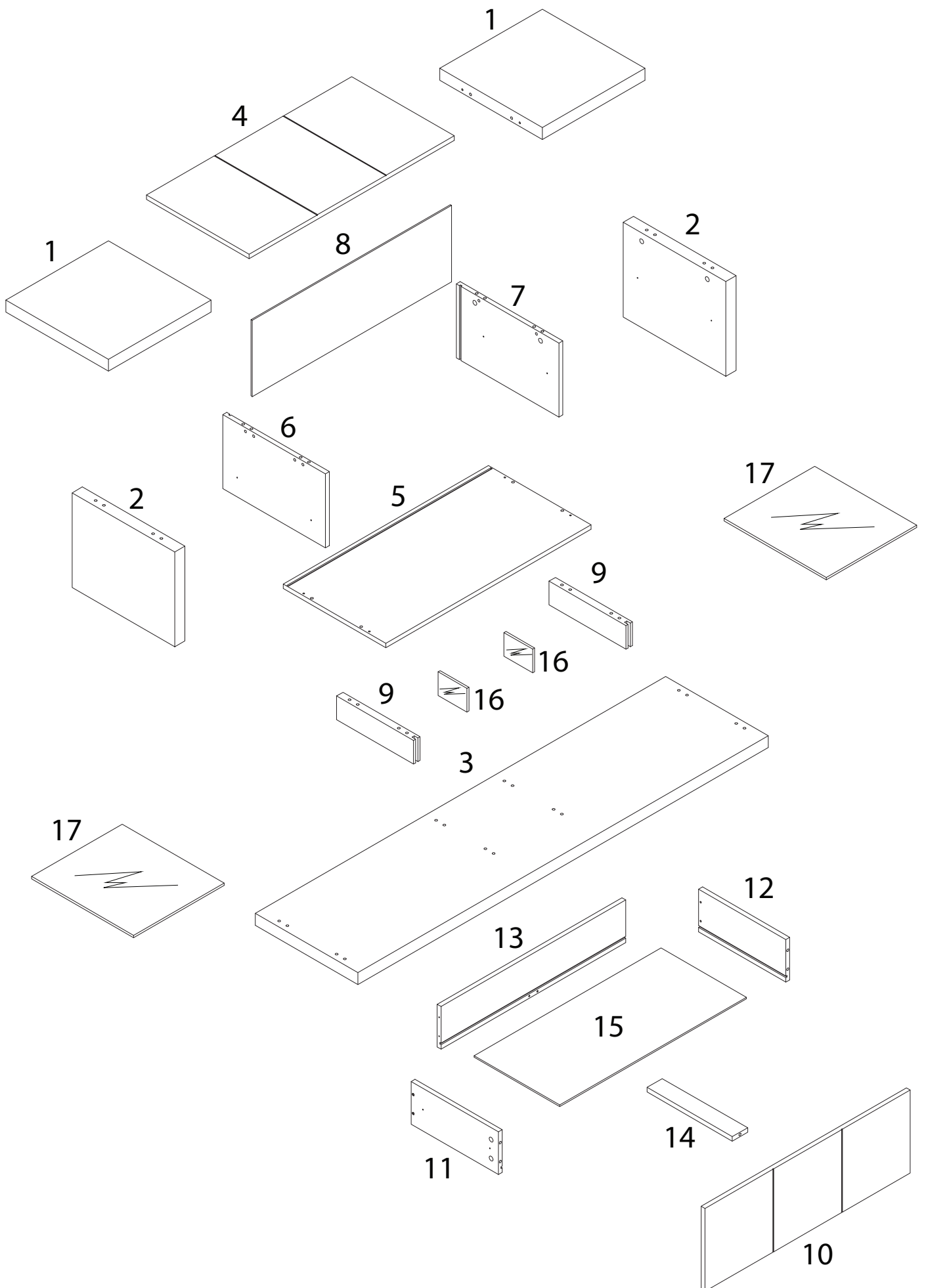
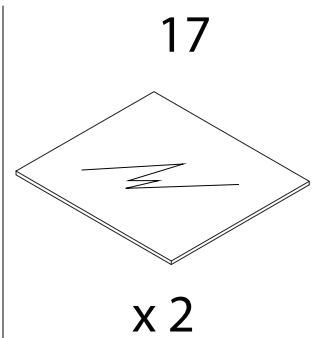
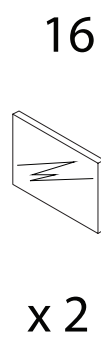
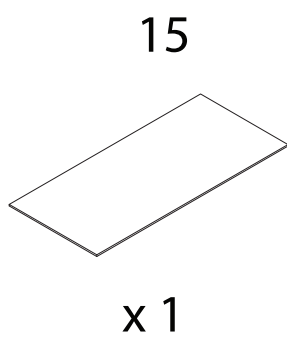
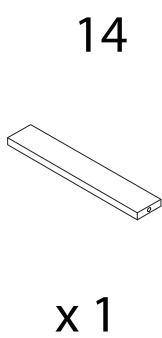
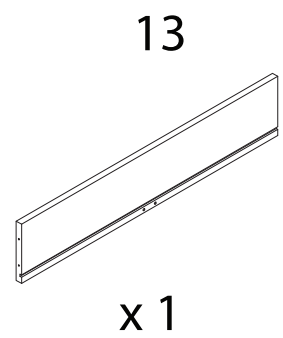
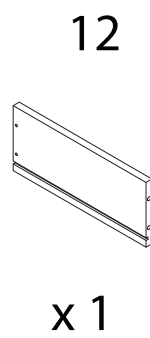
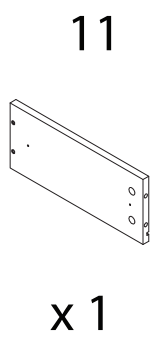
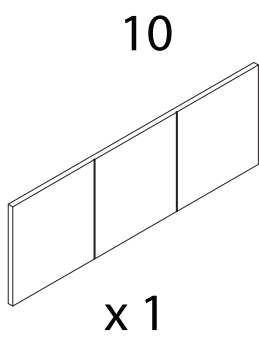
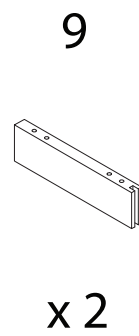
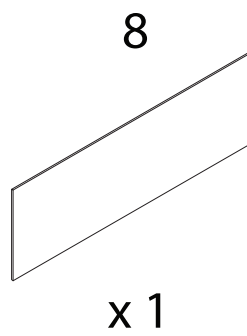
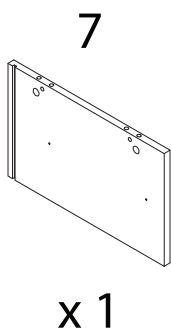
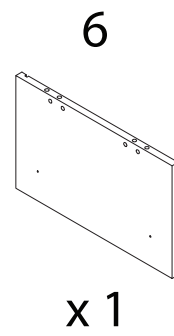
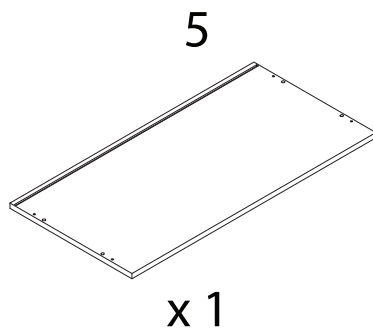
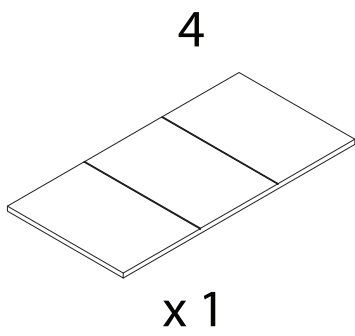
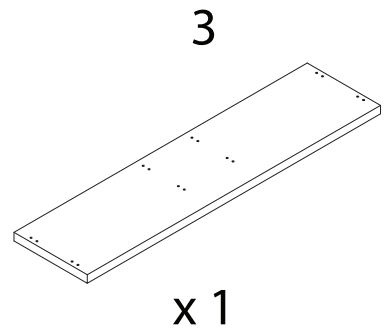
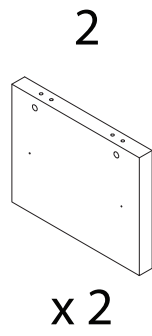
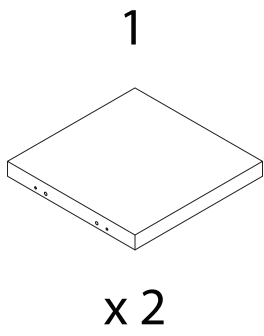


60'

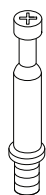


2



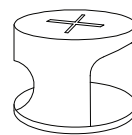


A



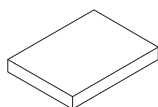
x 17

B



x 17

C



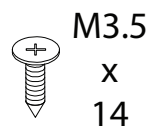
x 8

D



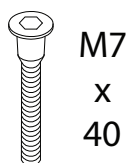
x 28

E



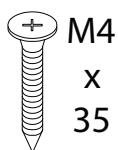
x 16

F



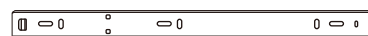
x 8

G



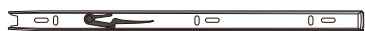
x 6

H



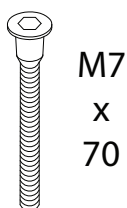
x 2

I



x 2

J



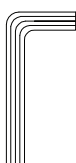
x 8

K



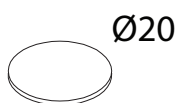
x 8

L



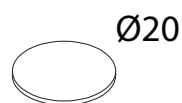
x 1

M



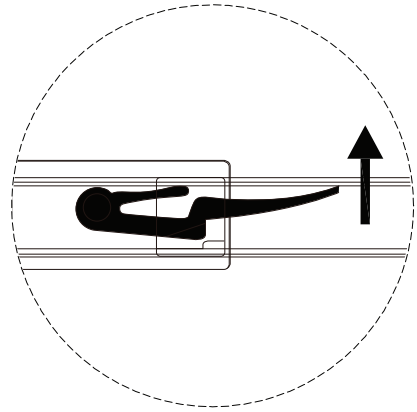
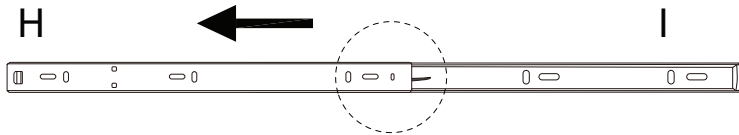
x 4

N

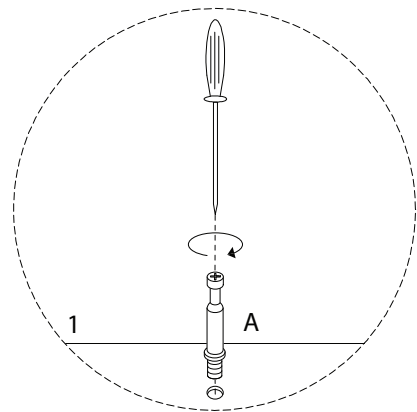
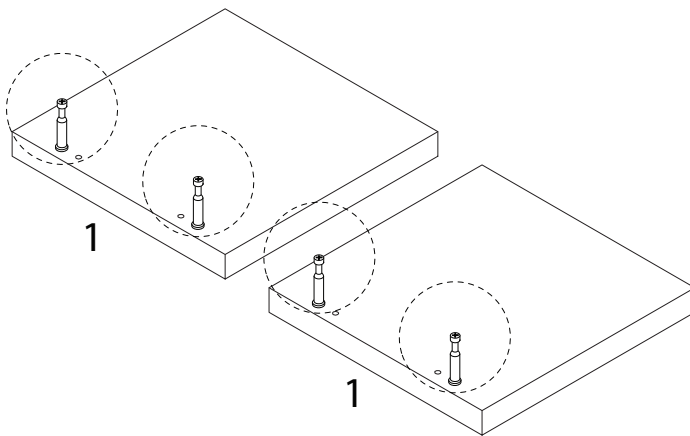
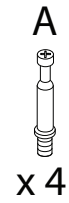
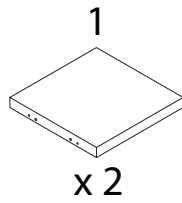


x 4

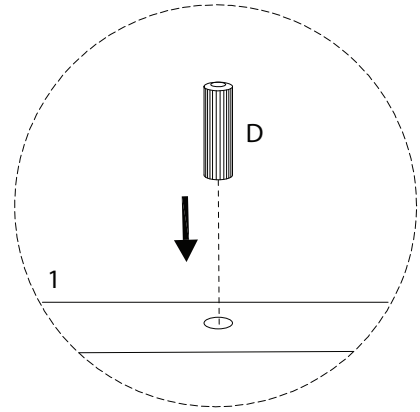
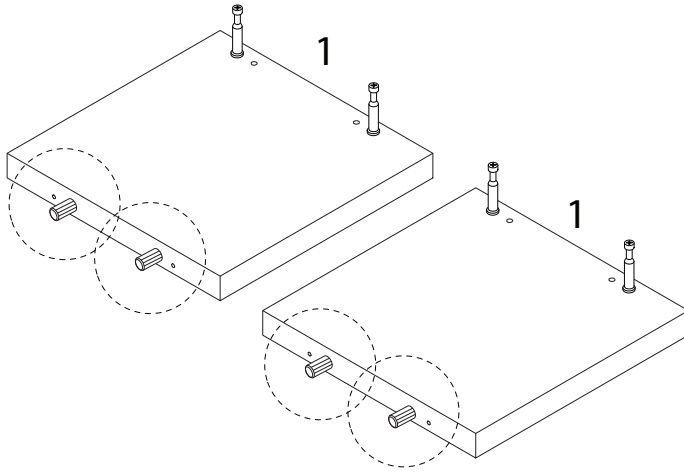
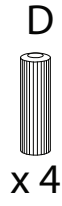
!



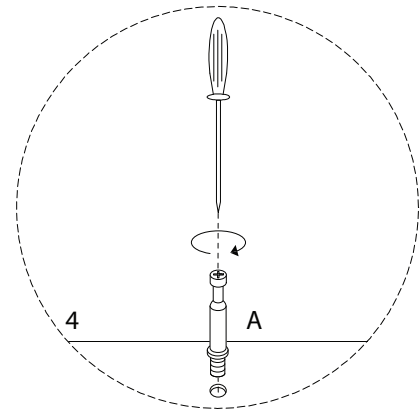
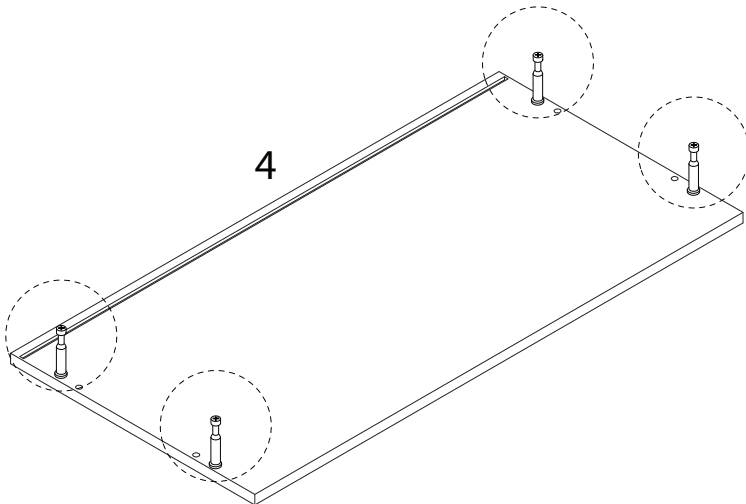
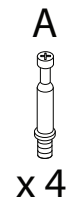
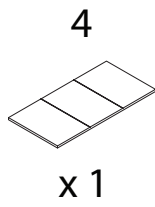
1



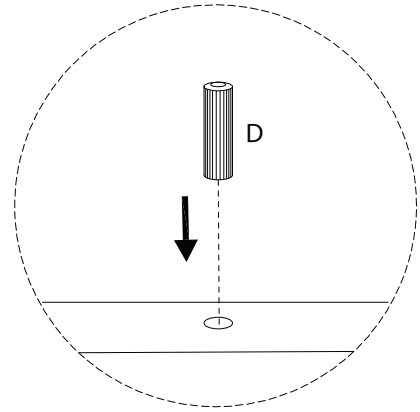
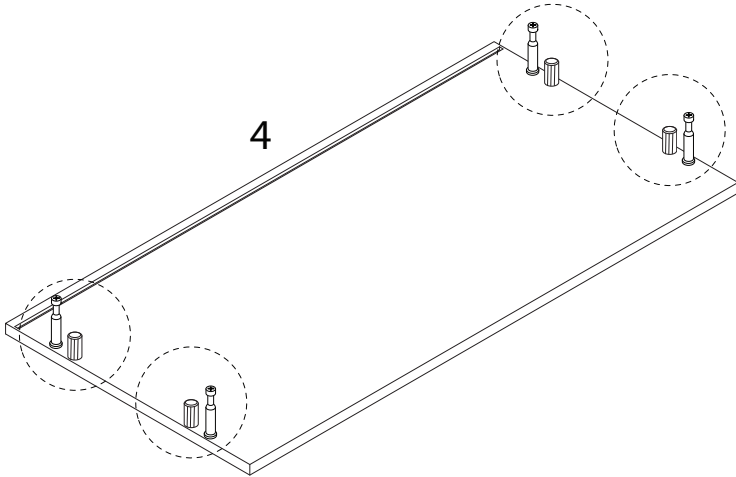
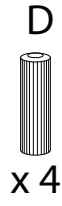
2



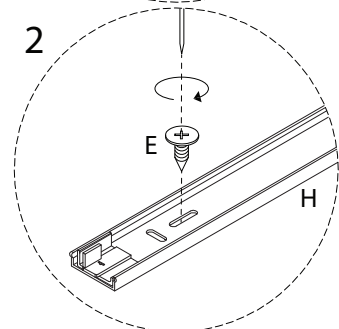
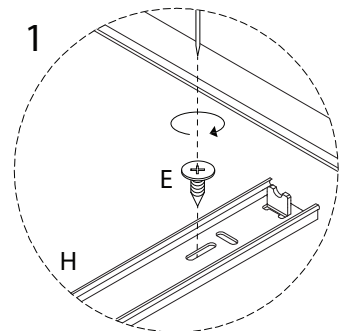
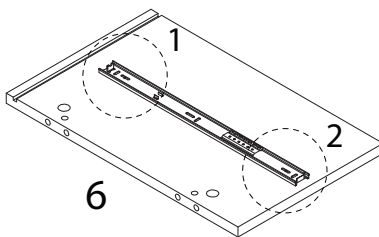
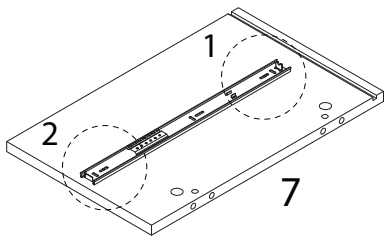
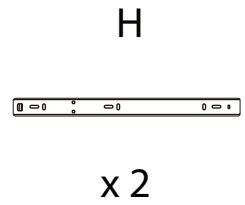
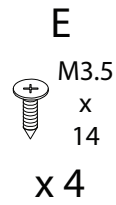
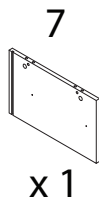
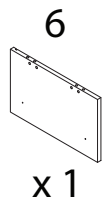
3



4

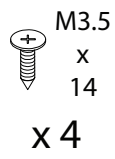


5

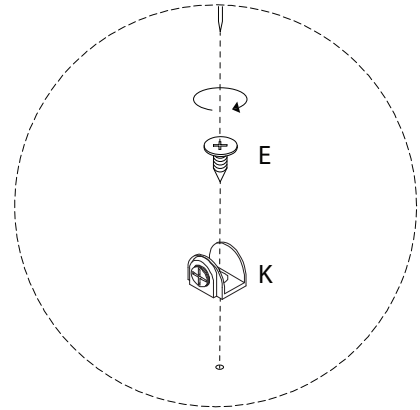
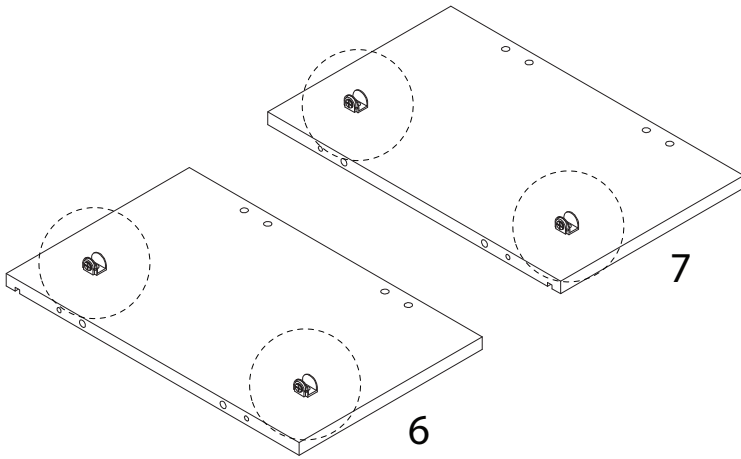


6

E

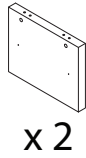


K

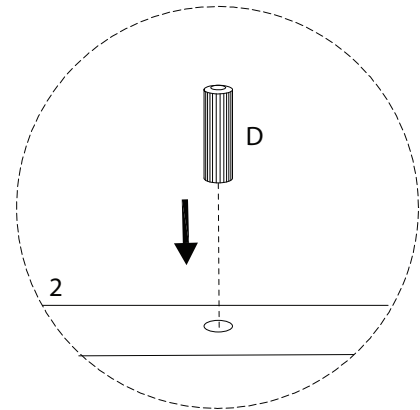
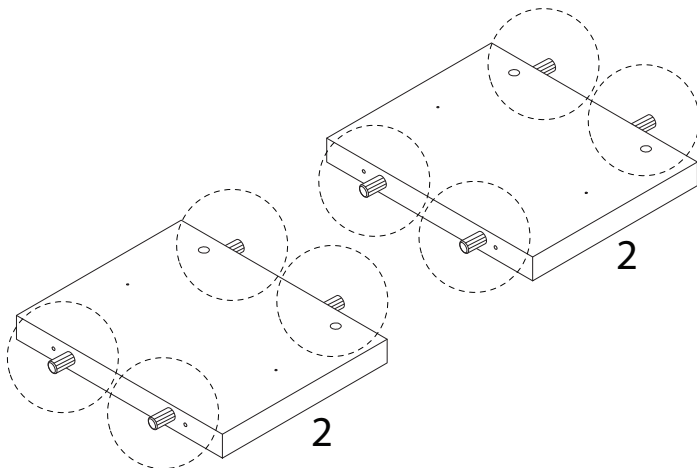
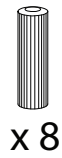


7

2



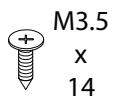
D





8

E

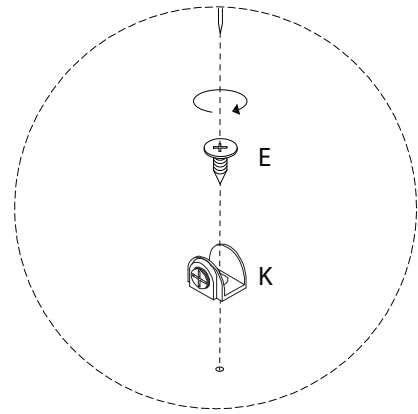
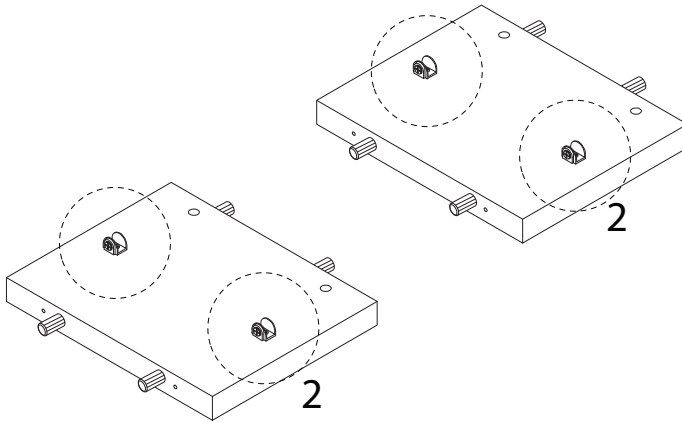


x 4

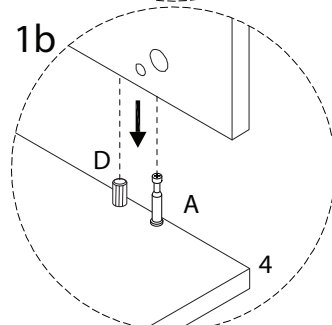
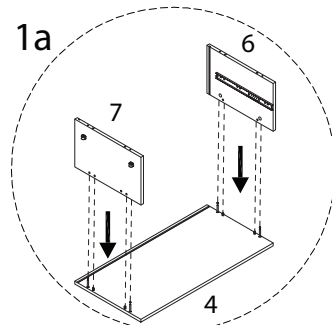
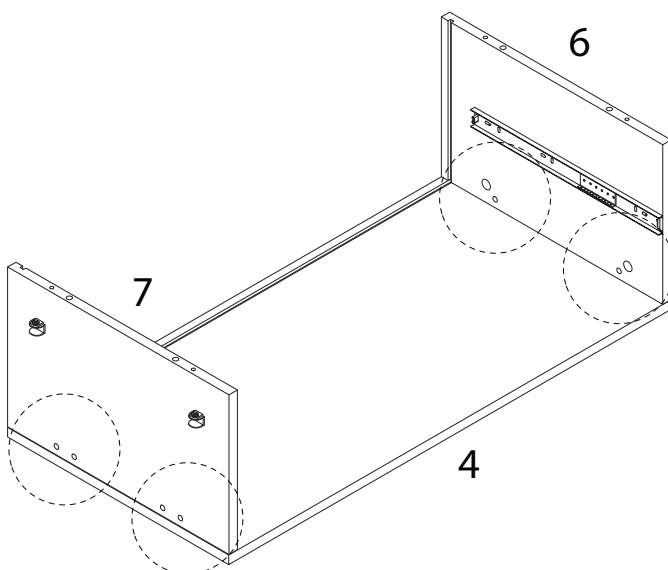
K



x 4



9

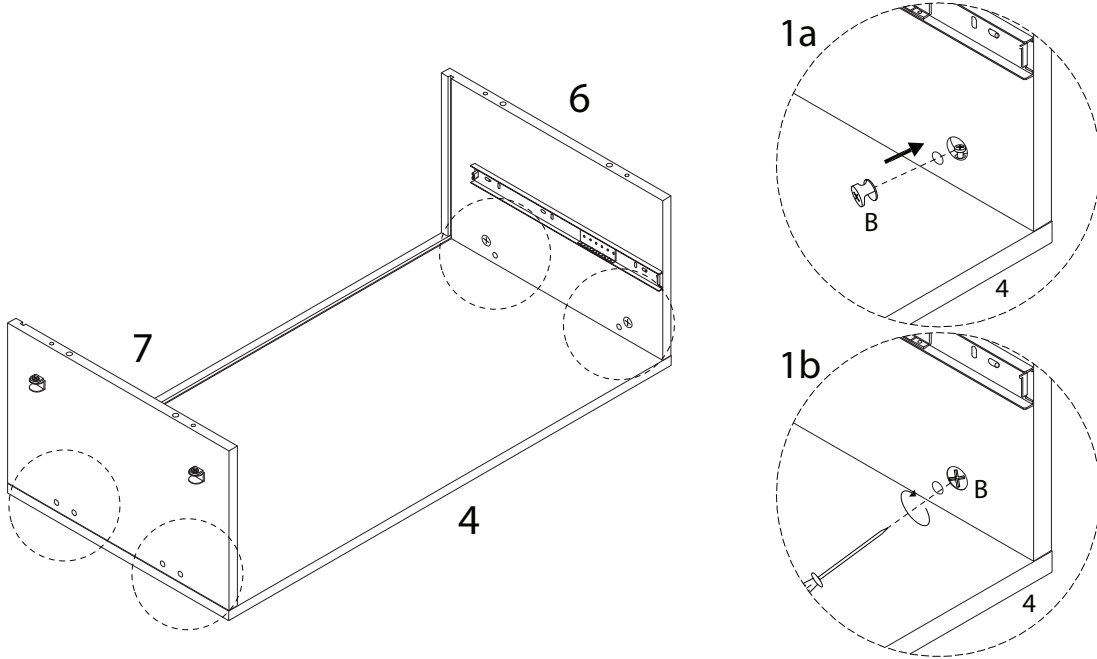


10

B

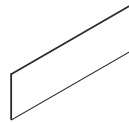


x 4

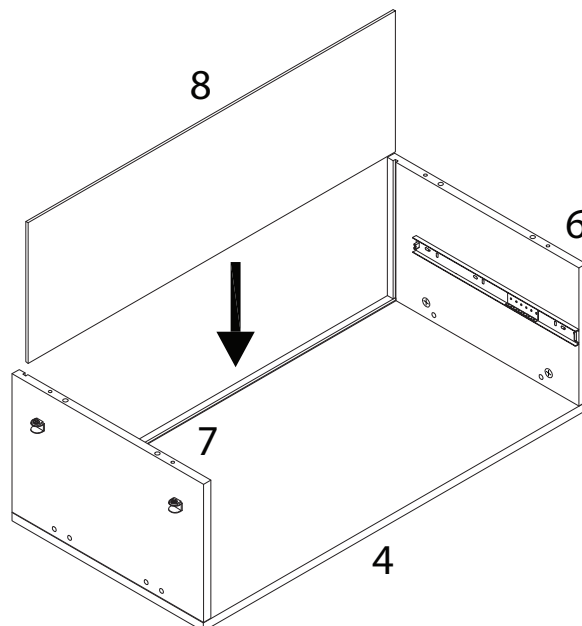


11

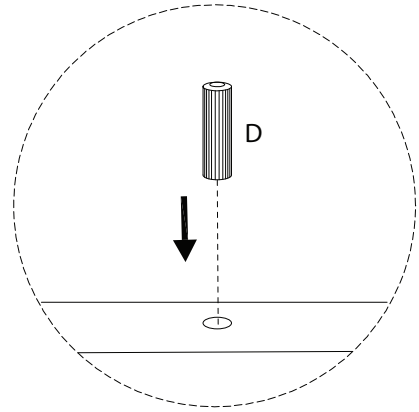
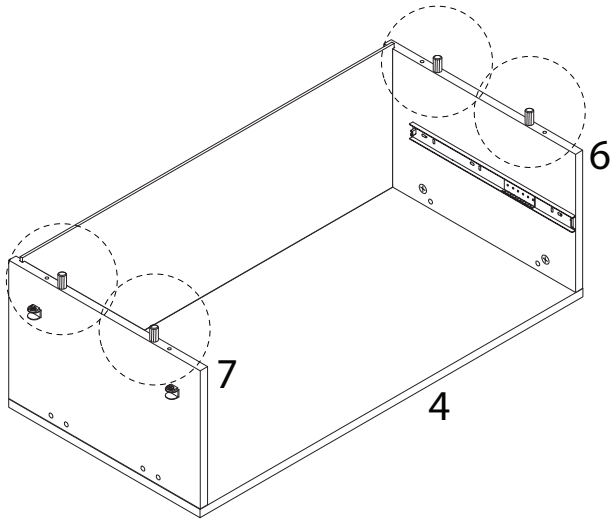
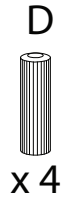
8



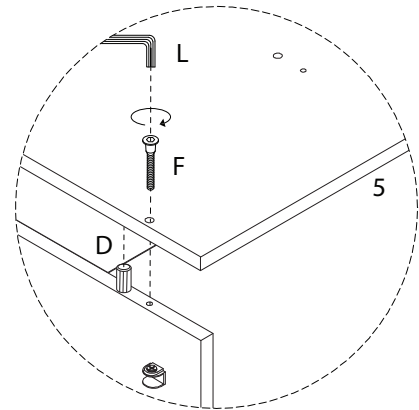
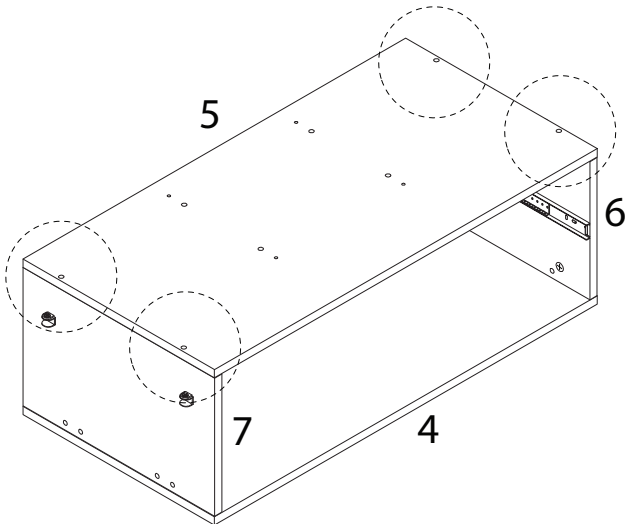
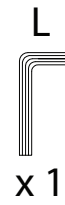
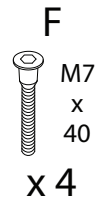
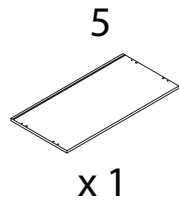
x 1



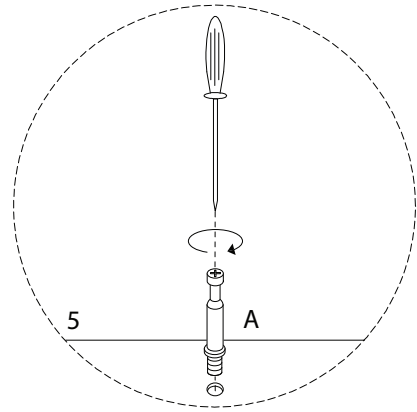
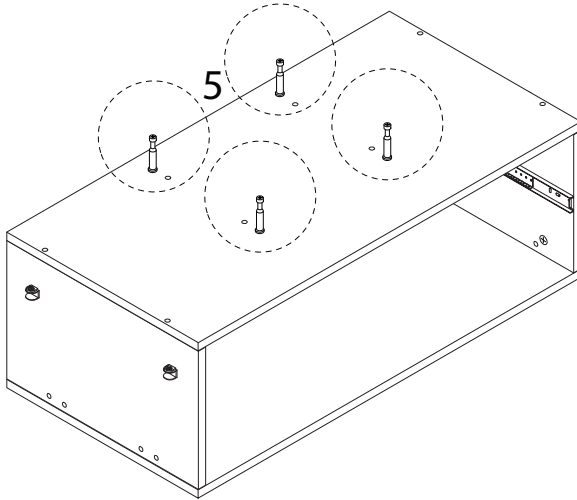
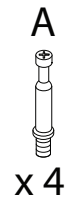
12



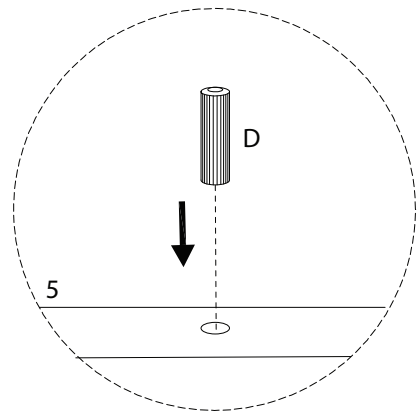
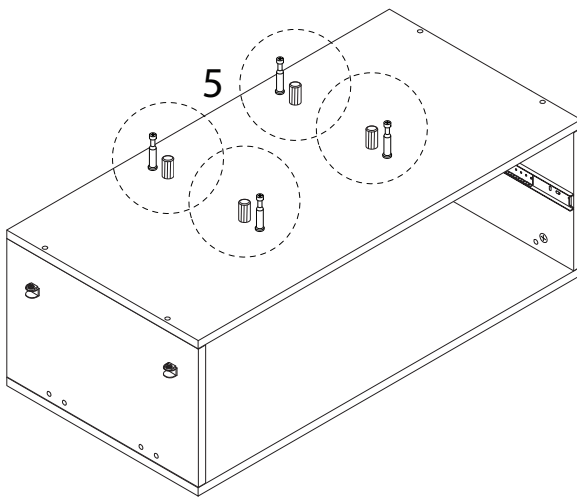
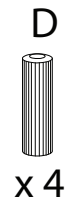
13



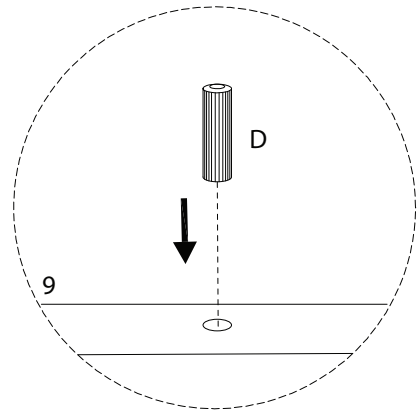
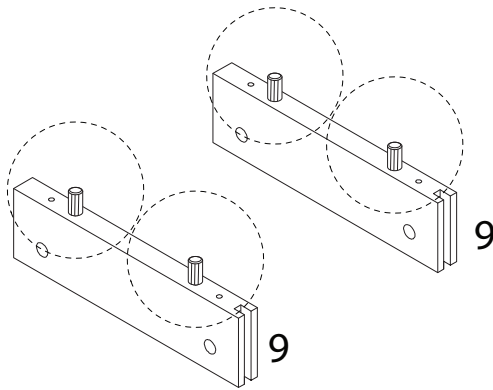
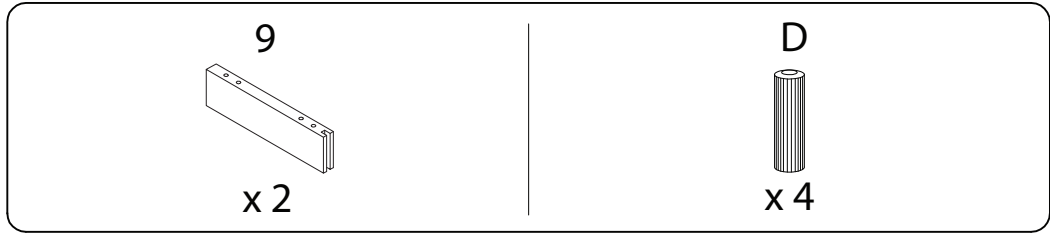
14



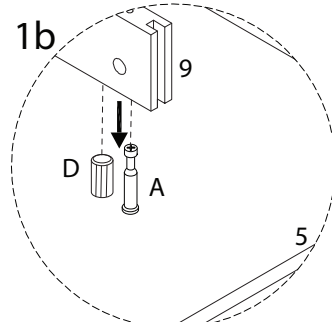
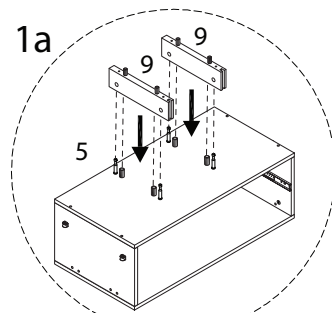
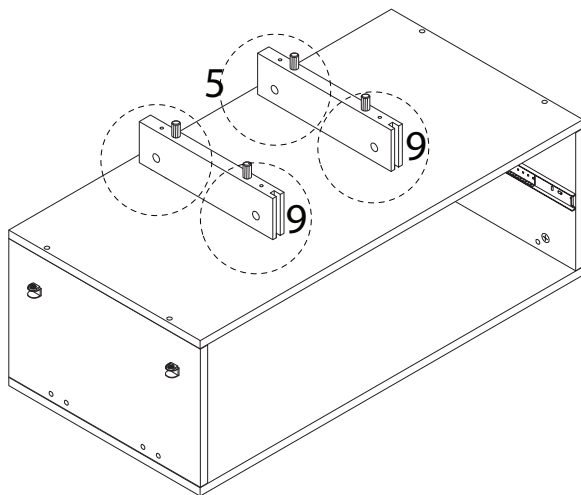
15



16



17

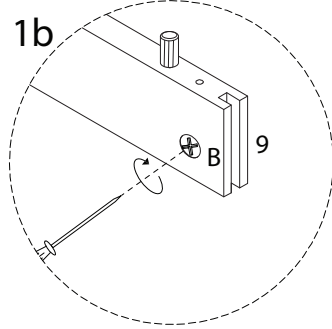
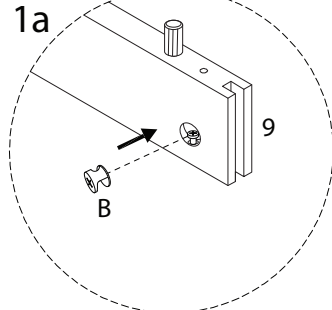
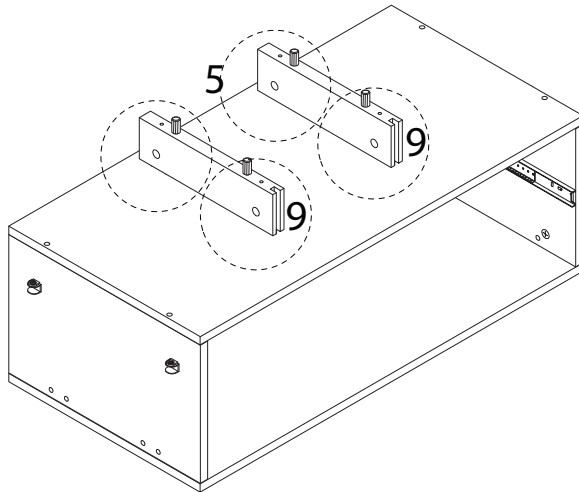


18

B

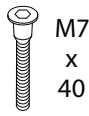


x 4



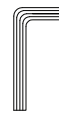
19

F

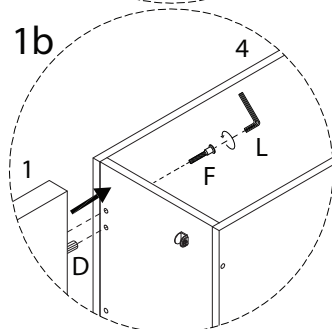
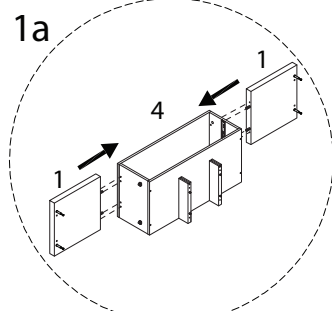
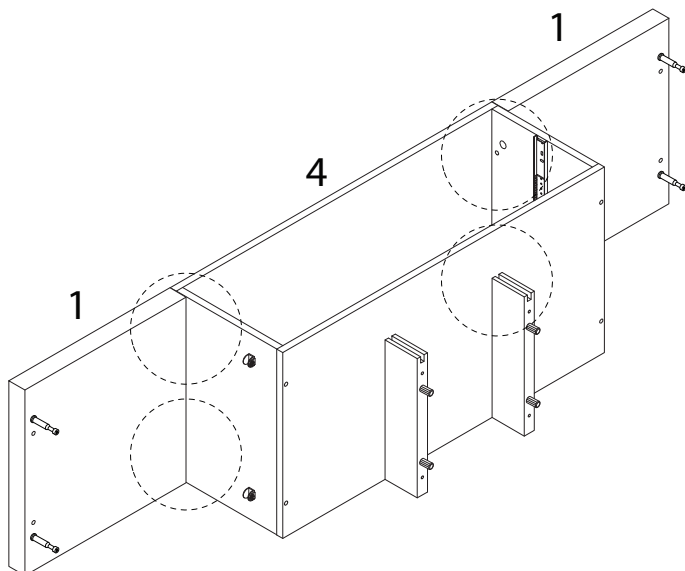


x 4

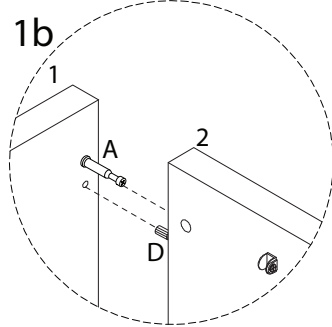
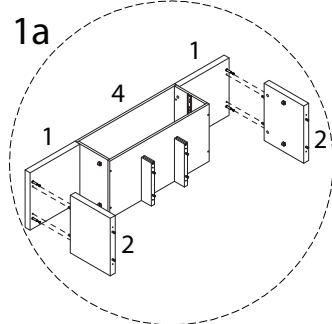
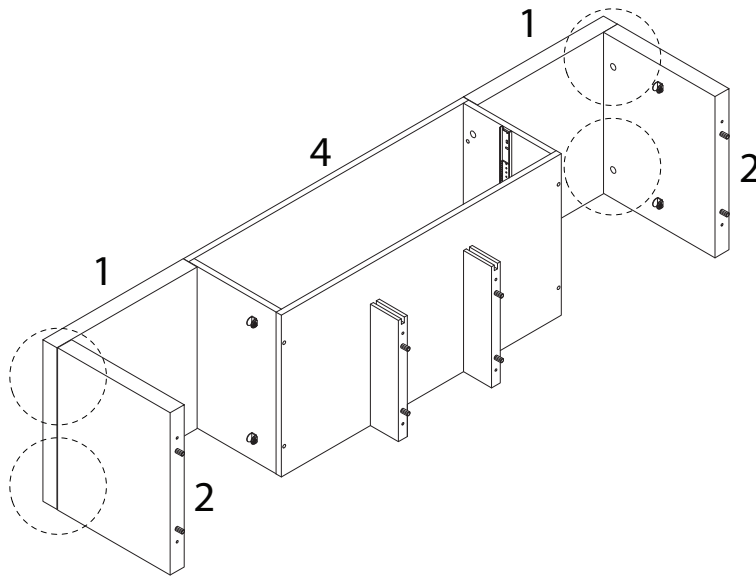
L



x 1



20

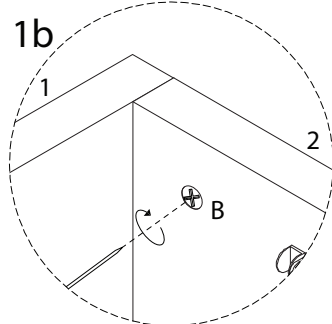
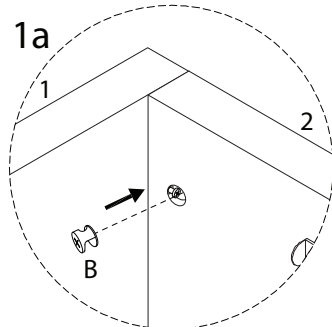
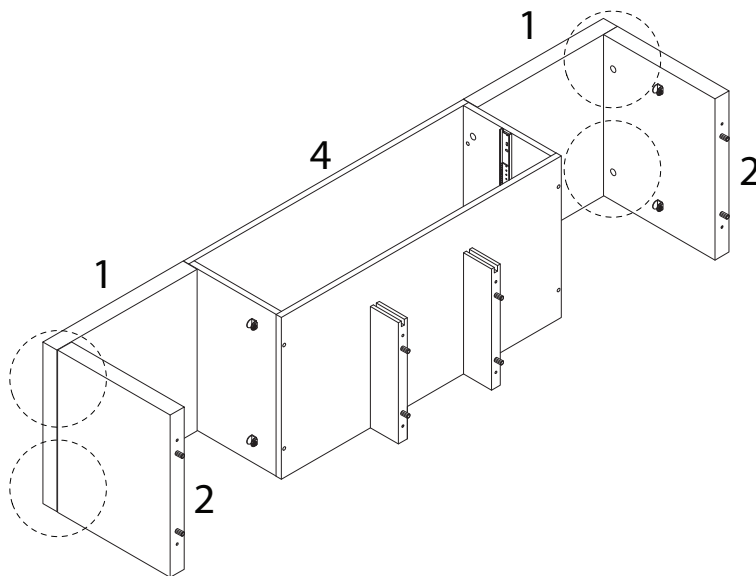


21

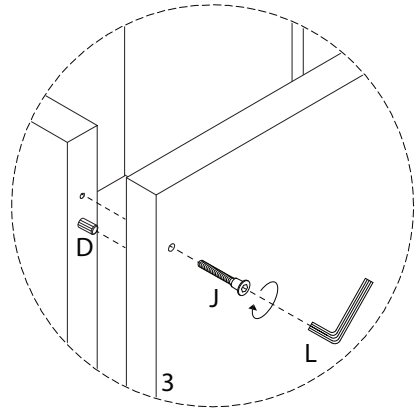
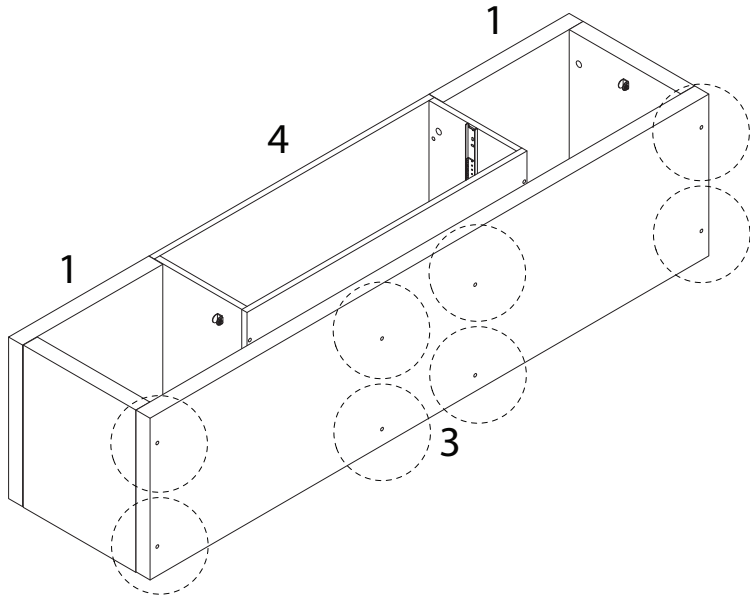
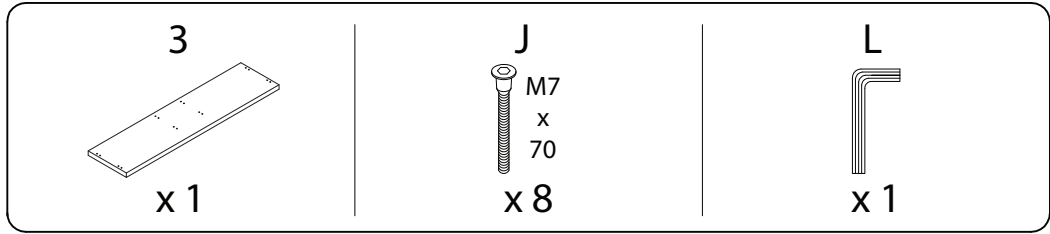
B



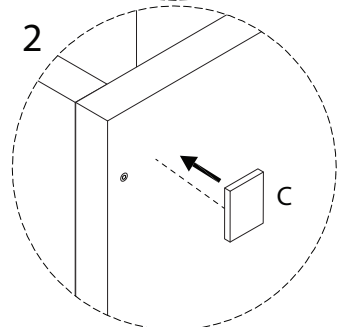
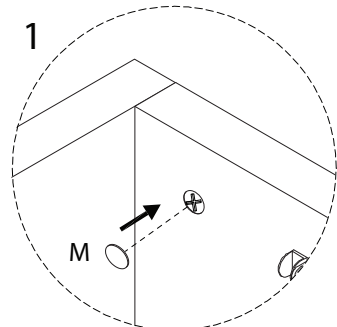
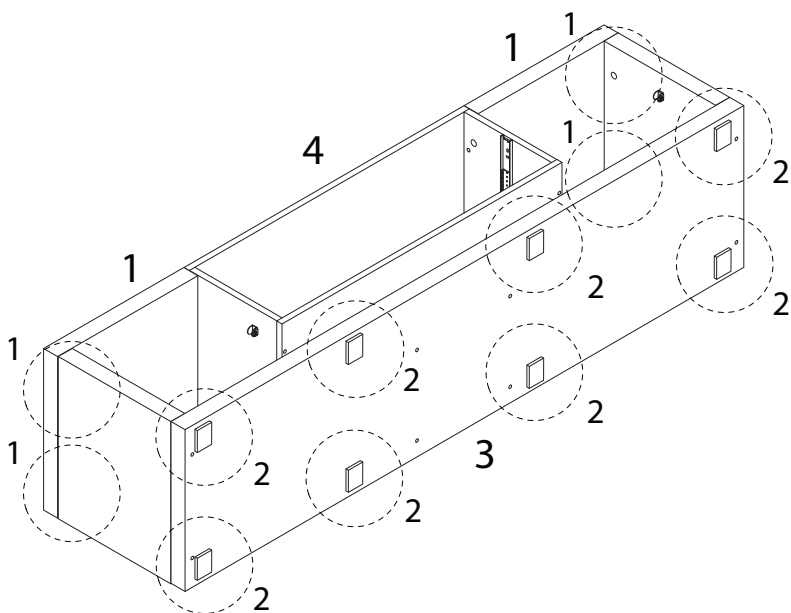
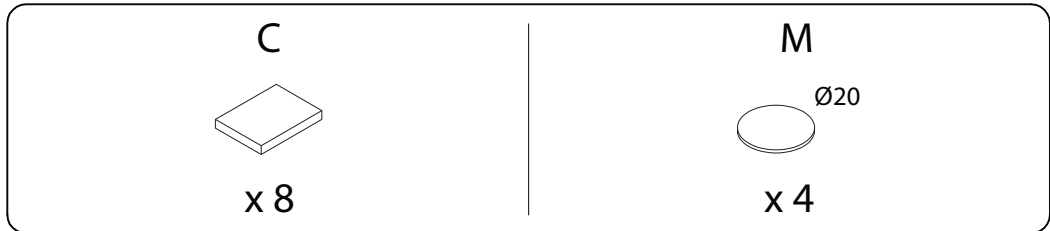
x 4



22

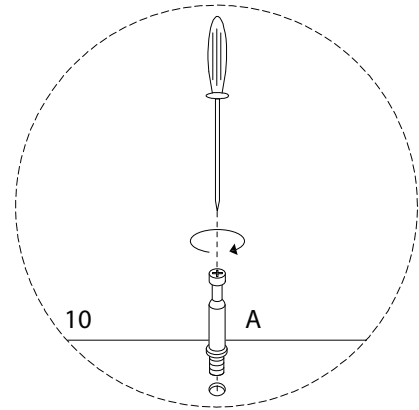
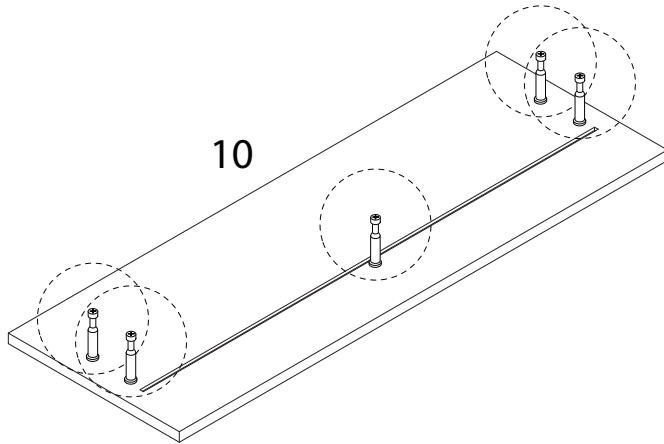
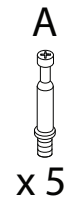
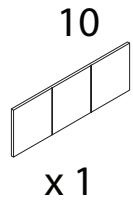


23

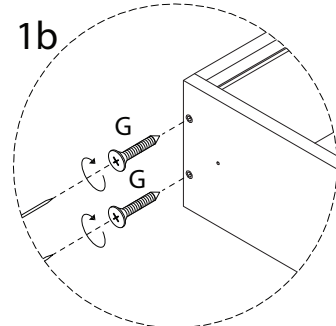
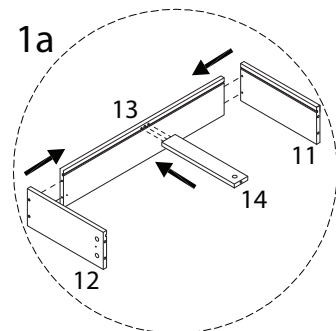
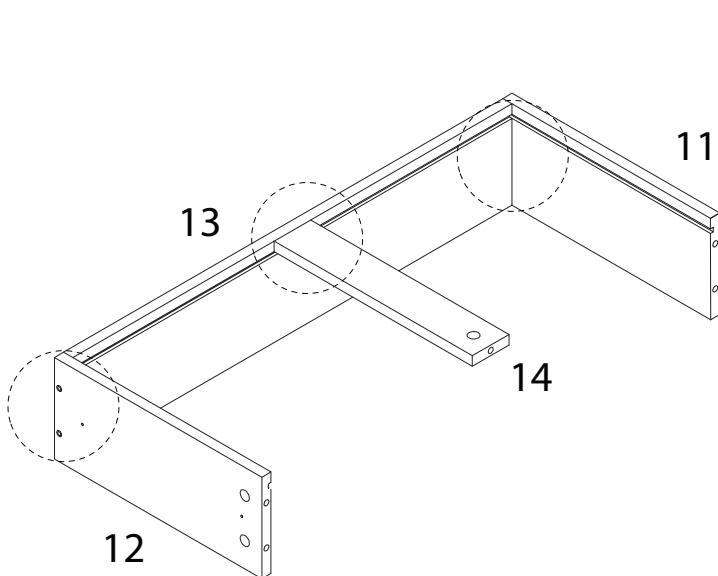
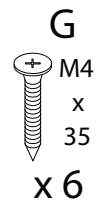
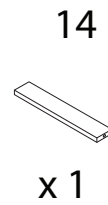
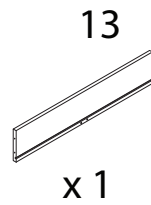
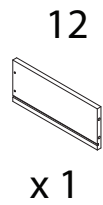
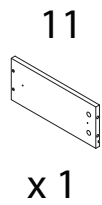




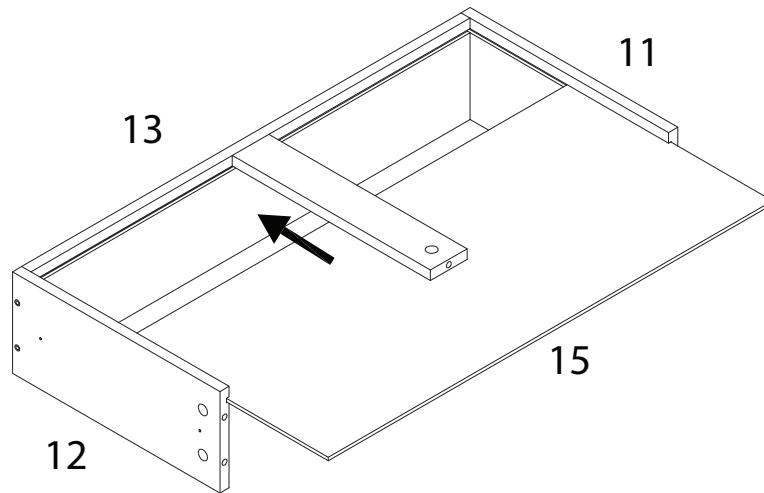
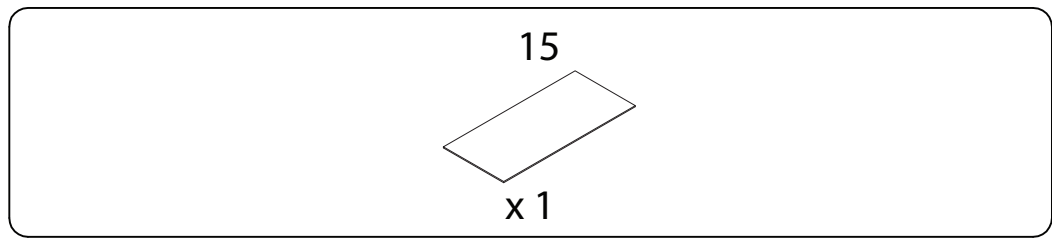
24



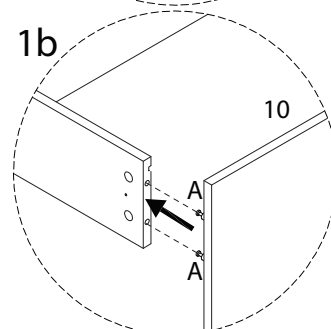
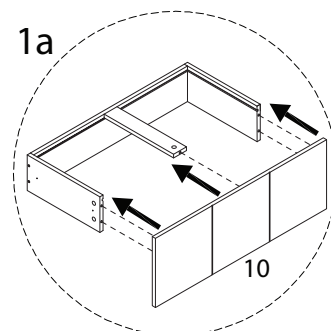
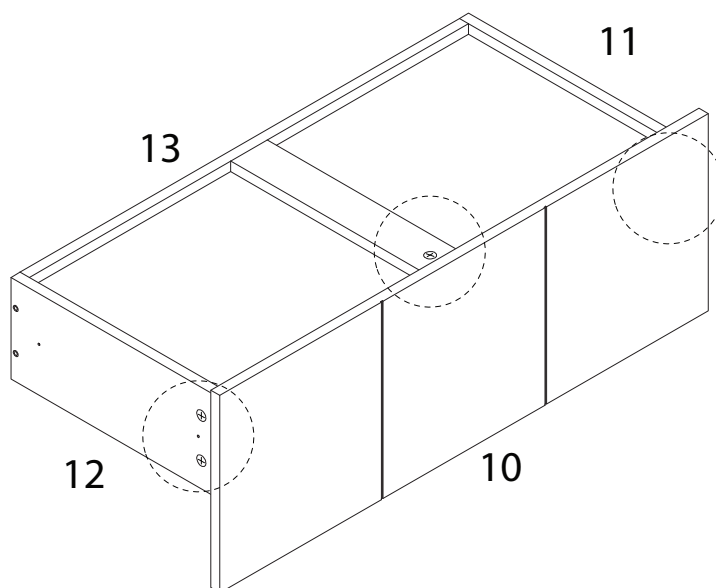
25



26



27

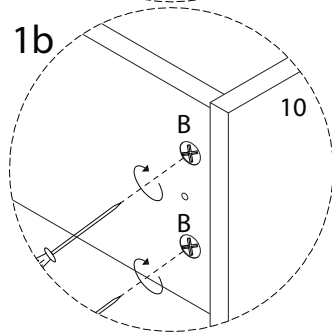
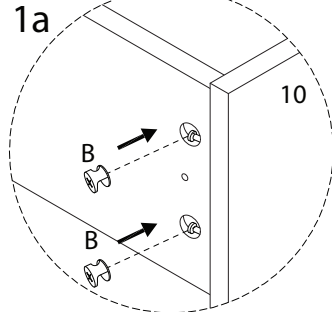
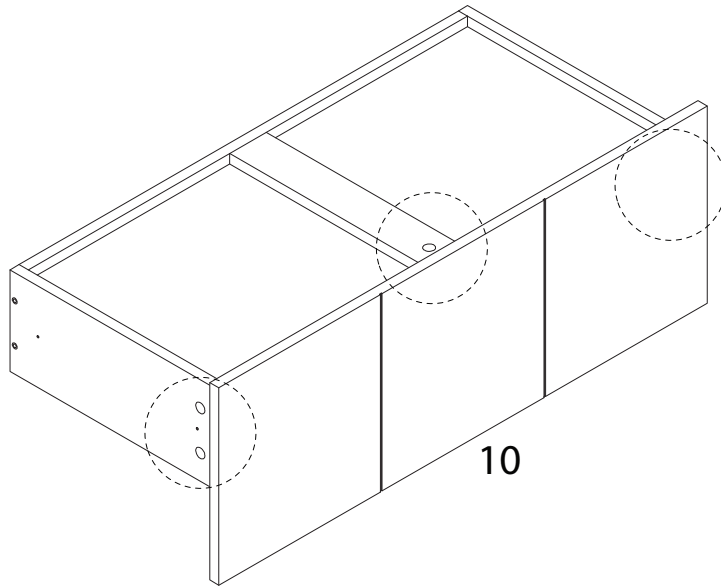


28

B

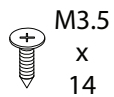


x 5



29

E

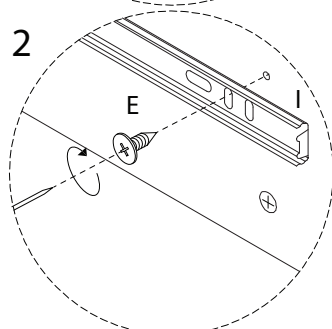
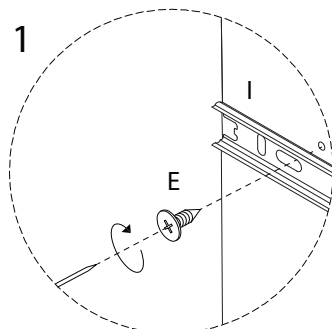
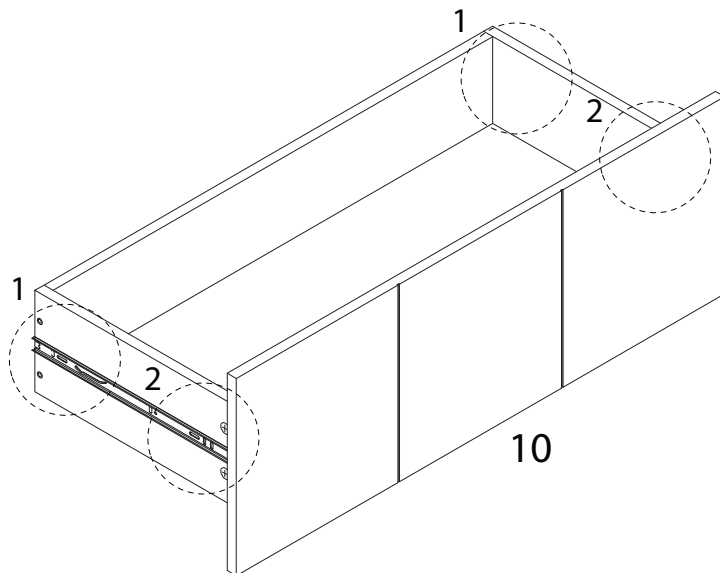


x 4

I

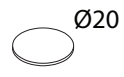


x 2

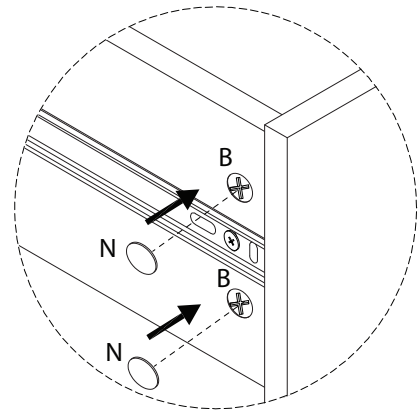
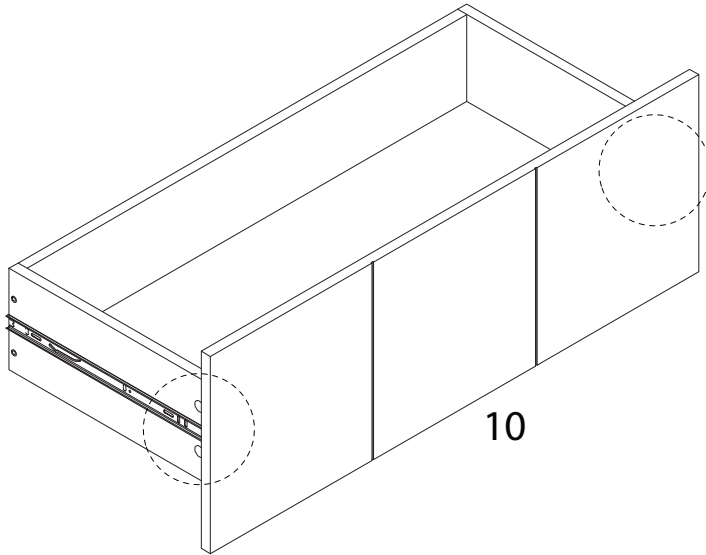


30

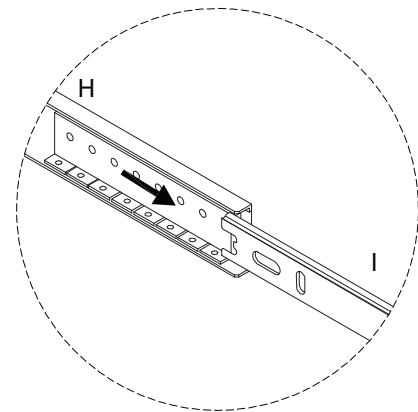
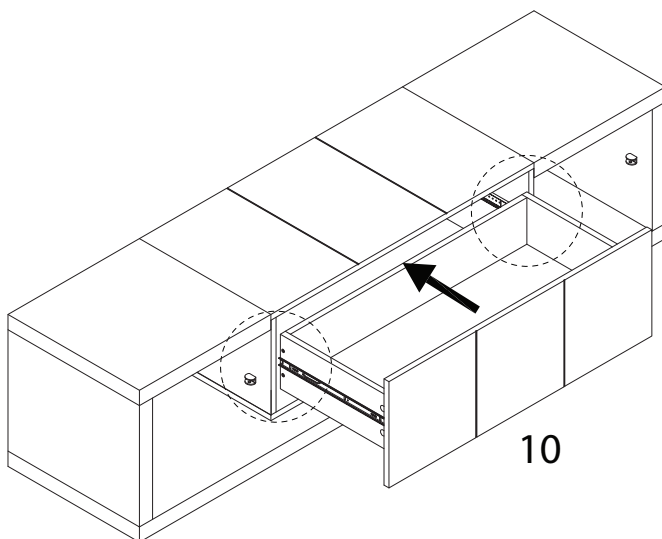
N



x 4

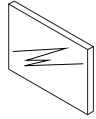


31



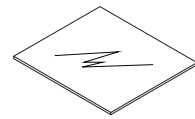
32

16

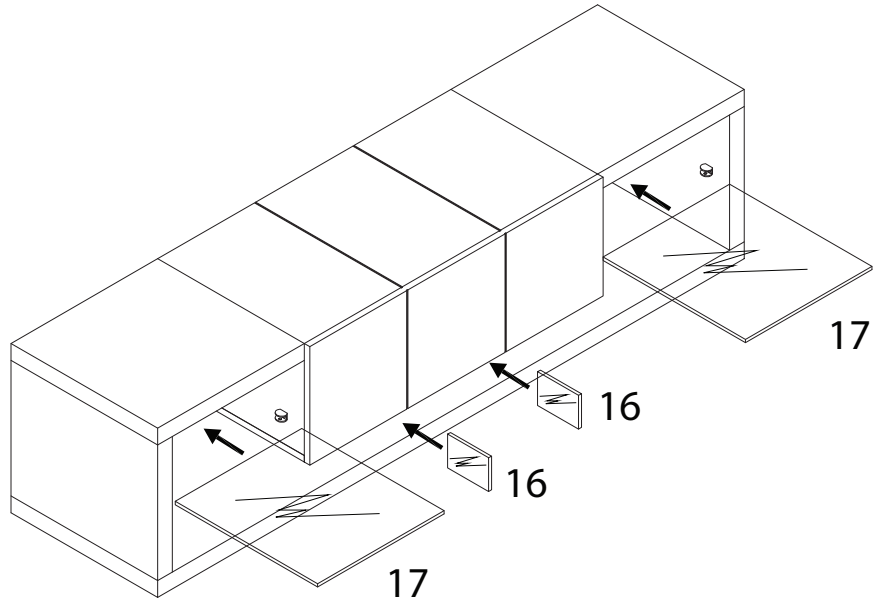


x 2

17



x 2



33

