

DS-2CD2143G2-I(S)

4 MP AcuSense Fixed Dome Network Camera

AcuSense



Empowered by deep learning algorithms, Hikvision AcuSense technology brings human and vehicle targets classification alarms to front- and back-end devices. The system focuses on human and vehicle targets, vastly improving alarm efficiency and effectiveness.

- High quality imaging with 4 MP resolution
- Clear imaging against strong backlight due to 120 dB WDR technology
- Efficient H.265+ compression technology
- Water and dust resistant (IP67) and vandal resistant (IK10)
- Focus on human and vehicle targets classification based on deep learning



▪ Specification

| Camera | |
|-----------------------------|---|
| Image Sensor | 1/3" Progressive Scan CMOS |
| Min. Illumination | Color: 0.005 Lux @ (F1.6, AGC ON), 0 Lux with IR on |
| Shutter Speed | 1/3 s to 1/100,000 s |
| Slow Shutter | Yes |
| P/N | P/N |
| Wide Dynamic Range | 120 dB |
| Day & Night | ICR Cut |
| Angle Adjustment | Pan: 0° to 355°, tilt: 0° to 75°, rotate: 0° to 355° |
| Lens | |
| Lens Type & FOV | 2.8 mm, horizontal FOV 103°, vertical FOV 55°, diagonal FOV 122° 4 mm, horizontal FOV 84°, vertical FOV 45°, diagonal FOV 100° |
| Aperture | F1.6 |
| Lens Mount | M12 |
| DORI | |
| DORI | 2.8 mm: D: 67 m, O: 26 m, R: 13 m, I: 6 m 4 mm: D: 80 m, O: 31 m, R: 16 m, I: 8 m |
| Illuminator | |
| IR Range | Up to 30 m |
| IR Wavelength | 850 nm |
| Video | |
| Max. Resolution | 2688 × 1520 |
| Main Stream | 50 Hz: 25 fps (2688 × 1520, 1920 × 1080, 1280 × 720) 60 Hz: 30 fps (2688 × 1520, 1920 × 1080, 1280 × 720) |
| Sub-Stream | 50 Hz: 25 fps (640 × 480, 640 × 360) 60 Hz: 30 fps (640 × 480, 640 × 360) |
| Third Stream | 50 Hz: 10 fps (1920 × 1080, 1280 × 720, 640 × 480, 640 × 360) 60 Hz: 10 fps (1920 × 1080, 1280 × 720, 640 × 480, 640 × 360) |
| Video Compression | Main stream: H.265/H.264/H.264+/H.265+ Sub-stream: H.265/H.264/MJPEG Third stream: H.265/H.264 |
| Video Bit Rate | 32 Kbps to 8 Mbps |
| H.264 Type | Baseline Profile/Main Profile/High Profile |
| H.265 Type | Main Profile |
| H.264+ | Main Stream supports |
| H.265+ | Main Stream supports |
| Bit Rate Control | CBR/VBR |
| Scalable Video Coding (SVC) | Yes |
| Region of Interest (ROI) | 1 fixed region for main stream and sub-stream |
| Audio | |
| Environment Noise Filtering | -S: Yes |
| Audio Sampling Rate | -S: 8 kHz/16 kHz/32 kHz/44.1 kHz/48 kHz |
| Audio Compression | -S: G.711ulaw/G.711alaw/G.722.1/G.726/MP2L2/PCM/MP3/AAC |

| | |
|-------------------------------|---|
| Audio Bit Rate | -S: 64Kbps(G.711ulaw/G.711alaw)/16Kbps(G.722.1)/16Kbps(G.726)/16Kbps-64Kbps(AAC) /32-192Kbps(MP2L2)/8-320Kbps(MP3) |
| Network | |
| Simultaneous Live View | Up to 6 channels |
| API | Open Network Video Interface (Profile S, Profile G), ISAPI, SDK |
| Protocols | TCP/IP, ICMP, HTTP, HTTPS, FTP, DHCP, DNS, DDNS, RTP, RTSP, NTP, UPnP, SMTP, IGMP, 802.1X, QoS, IPv6, UDP, Bonjour, SSL/TLS, PPPoE |
| User/Host | Up to 32 users. 3 user levels: administrator, operator and user |
| Security | Password protection, complicated password, HTTPS encryption, IP address filter, Security Audit Log, basic and digest authentication for HTTP/HTTPS, TLS 1.1/1.2, WSSE and digest authentication for Open Network Video Interface |
| Network Storage | MicroSD/SDHC/SDXC card (256 GB) local storage, and NAS(NFS, SMB/CIFS), auto network replenishment (ANR) |
| Client | iVMS-4200, Hik-Connect, Hik-Central |
| Web Browser | Plug-in required live view: IE 10, IE 11 Plug-in free live view : Chrome 57.0+, Firefox 52.0+ Local service: Chrome 57.0+, Firefox 52.0+ |
| Image | |
| Day/Night Switch | Day, Night, Auto, Schedule |
| Image Enhancement | BLC, HLC, 3D DNR |
| Image Parameters Switch | Yes |
| Image Settings | Rotate, mirror, privacy mask, saturation, brightness, contrast, sharpness, gain, white balance adjustable by client software or web browser |
| Interface | |
| Audio | -S: 1 input (line in), two-core terminal block , max. input amplitude: 3.3 vpp, input impedance: 4.7 K Ω , interface type: non-equilibrium; 1 output (line out), two-core terminal block , max.output amplitude: 3.3 vpp, output impedance: 100 Ω , interface type: non-equilibrium, mono sound |
| Alarm | -S: 1 input, 1 output (max. 12 VDC, 30 mA) |
| On-Board Storage | Built-in micro SD, up to 256 GB |
| Reset Key | Yes |
| Ethernet Interface | 1 RJ45 10M/100M self-adaptive Ethernet port |
| Event | |
| Basic Event | Motion detection (human and vehicle targets classification), video tampering alarm, exception |
| Face Detection | Yes |
| Deep Learning Function | |
| Perimeter Protection | Line crossing detection, intrusion detection Supports human and vehicle targets classification |
| General | |
| Linkage Method | Upload to FTP/memory card/NAS, notify surveillance center, trigger record, trigger capture, Email |

| | |
|----------------------------------|---|
| Language | 33 languages English, Russian, Estonian, Bulgarian, Hungarian, Greek, German, Italian, Czech, Slovak, French, Polish, Dutch, Portuguese, Spanish, Romanian, Danish, Swedish, Norwegian, Finnish, Croatian, Slovenian, Serbian, Turkish, Korean, Traditional Chinese, Thai, Vietnamese, Japanese, Latvian, Lithuanian, Portuguese (Brazil), Ukrainian |
| General Function | Anti-flicker, heartbeat, password reset via e-mail, pixel counter |
| Storage Conditions | -30 °C to 60 °C (-22 °F to 140 °F). Humidity 95% or less (non-condensing) |
| Startup and Operating Conditions | -30 °C to 60 °C (-22 °F to 140 °F). Humidity 95% or less (non-condensing) |
| Power Supply | 12 VDC ± 25%, reverse polarity protection PoE: 802.3af, Class 3 |
| Power Consumption and Current | 12 VDC, 0.4 A, max. 5 W PoE (802.3af, 36 V to 57 V), 0.2 A to 0.15 A, max. 6.5 W |
| Power Interface | Ø5.5 mm coaxial power plug |
| Material | Aluminum alloy body Bubble: plastic |
| Screw Material | SUS304 |
| Dimension | Ø110.8 × 84.7 mm (Ø4.4" × 3.3") |
| Package Dimension | 134 × 134 × 108 mm (5.3" × 5.3" × 4.3") |
| Weight | Approx. 530 g (1.2 lb.) |
| With Package Weight | Approx. 720 g (1.6 lb.) |
| Approval | |
| EMC | FCC (47 CFR Part 15, Subpart B); CE-EMC (EN 55032: 2015, EN 61000-3-2: 2014, EN 61000-3-3: 2013, EN 50130-4: 2011 +A1: 2014); RCM (AS/NZS CISPR 32: 2015); IC (ICES-003: Issue 6, 2016); KC (KN 32: 2015, KN 35: 2015) |
| Safety | UL (UL 60950-1); CB (IEC 60950-1:2005 + Am 1:2009 + Am 2:2013); CE-LVD (EN 60950-1:2005 + Am 1:2009 + Am 2:2013); BIS (IS 13252(Part 1):2010+A1:2013+A2:2015) |
| Environment | CE-RoHS (2011/65/EU); WEEE (2012/19/EU); Reach (Regulation (EC) No 1907/2006) |
| Protection | IP67 (IEC 60529-2013), IK10 (IEC 62262: 2002) |

▪ Available Model

DS-2CD2143G2-I (2.8/4 mm)

DS-2CD2143G2-IS(2.8/4 mm)

▪ Typical Application

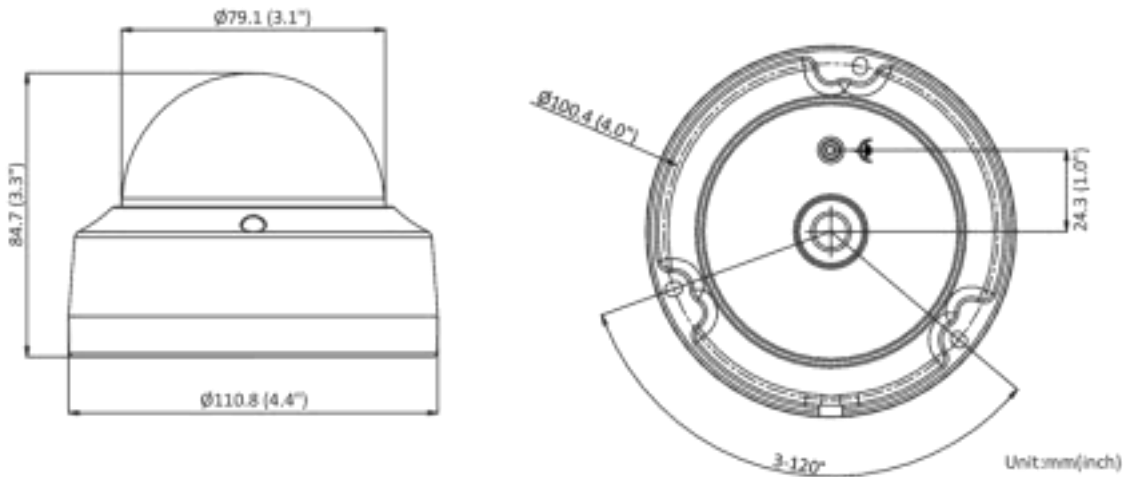
Hikvision products are classified into three levels according to their anti-corrosion performance. Refer to the following description to choose for your using environment.

This model has NO SPECIFIC PROTECTION.

| Level | Description |
|----------------------|--|
| Top-level protection | Hikvision products at this level are equipped for use in areas where professional anti-corrosion protection is a must. Typical application scenarios include coastlines, docks, chemical plants, and |

| | |
|------------------------|--|
| | more. |
| Moderate protection | Hikvision products at this level are equipped for use in areas with moderate anti-corrosion demands. Typical application scenarios include coastal areas about 2 kilometers (1.24 miles) away from coastlines, as well as areas affected by acid rain. |
| No specific protection | Hikvision products at this level are equipped for use in areas where no specific anti-corrosion protection is needed. |

▪ **Dimension**



▪ **Accessory**

▪ **Optional**

| DS-1280ZJ-DM18 Junction Box | DS-1250ZJ Rain Shade | DS-1259ZJ Inclined Ceiling Mount | DS-1272ZJ-110 Wall Mount | DS-1272ZJ-110B Wall Mount |
|---|---|---|---|---|
|  |  |  |  |  |
| DS-1276ZJ-SUS Corner Mount | DS-1258ZJ Wall Mount | DS-1275ZJ-SUS Vertical Pole Mount | DS-1271ZJ-110 Pendant Mount | |
|  |  |  |  | |

Distributed by



HIKVISION

Headquarters

No.556 Qianmo Road, Binjiang District,
Hangzhou 310051, China
T +86-571-8907-5998
www.seasubusiness@hikvision.com

Hikvision USA

T +1-800-885-0400
sales.usa@hikvision.com

Hikvision Australia

T +61-2-8699-0233
salesau@hikvision.com

Hikvision India

T +91-22-28409900
sales@prema@hikvision.com

Hikvision Canada

T +1-866-290-8890
sales.canada@hikvision.com

Hikvision Thailand

T +662-275-9940
sales.thailand@hikvision.com

Hikvision Europe

T +31-23-5642770
sales.eu@hikvision.com

Hikvision Italy

T +39-0438-6802
infout@hikvision.com

Hikvision Brazil

T +55 11 3318-8950
latam.support@hikvision.com

Hikvision Turkey

T +90 521825217070-7074
sales.tr@hikvision.com

Hikvision Malaysia

T +601-2652-2413
sales.my@hikvision.com

Hikvision UK & Ireland

T +01629-892140
sales.vk@hikvision.com

Hikvision South Africa

Tel: +27 1101 0351172
sale.africa@hikvision.com

Hikvision France

T +33011-95-330-450
info.fr@hikvision.com

Hikvision Kazakhstan

T +7-727-9730867
nokia.pantlov@hikvision.ru

Hikvision Vietnam

T +84-074270888
sales.vt@hikvision.com

Hikvision UAE

T +971-4-4432080
saleseme@hikvision.com

Hikvision Singapore

T +65-6584-4718
sg@hikvision.com

Hikvision Spain

T +34-91-737-16-55
info.es@hikvision.com

Hikvision Tashkent

T +99-67-1239-8438
uzb@hikvision.ru

Hikvision Hong Kong

T +852-2151-1761
info.hk@hikvision.com

Hikvision Russia

T +7-495-690-67-99
salesru@hikvision.com

Hikvision Korea

T +82-9031-731-8817
sales.korea@hikvision.com

Hikvision Poland

T +46-22-460-01-60
info.pl@hikvision.com

Hikvision Indonesia

T +62-21-2933759
Sales.Indonesia@hikvision.com

Hikvision Colombia

sales.colombia@hikvision.com