

WWW.LUXFORM.COM/FILES/GBBA01_
SAFETY INSTRUCTIONS_BATTERY LIGHTING.PDF



NL SCAN MIJ VOOR MEER INFORMATIE
GB SCAN ME FOR MORE INFORMATION
D SCANNEN SIE MICH FÜR WEITERE INFORMATIONEN
F FLASHEZ MOI POUR PLUS D'INFORMATIONS
E ESCANEAR ME PARA MÁS INFORMACIÓN
P DIGITALIZAR ME PARA MAIS INFORMAÇÕES
I SCANSIONE ME PER ULTERIORI INFORMAZIONI
S SKANNA MIG FÖR MER INFORMATION
FIN SKANNATA KERRON LISÄÄ
N SKANNE MEG FOR MER INFORMASION
DK SCANNE MIG FOR MERE INFORMATION
GR σάρωσέ με για περισσότερες πληροφορίες
CZ SKENOVÁNÍ MĚ PRO VÍCE INFORMACÍ
PL SKANOWAC MI WIECEJ INFORMACJI
SL SKENIRANJE ME ZA VEČ INFORMACIJ
RO SCANARE MĂ PENTRU MAI MULTE INFORMATII
LT NUSKAITYTI MANES DAUGIAU INFORMACIJOS
EST SKANEERIDA MINUGA ROHKEM TEAVET
LV SKENET AR MANI VAIRAK INFORM
H ATKUTAT ÉN TOVÁBBI INFORMÁCIÓKAT
RUS САННИ МЕНЯ ДЛЯ ПОЛУЧЕНИЯ
ДОПОЛНИТЕЛЬНОЙ ИНФОРМАЦИИ

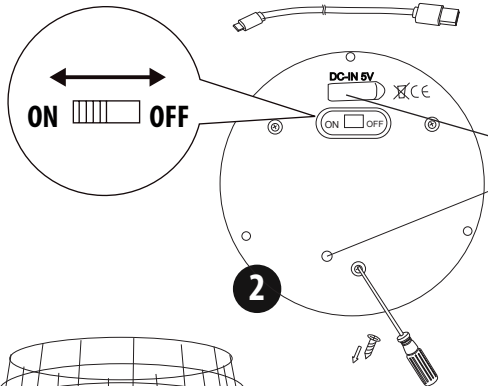
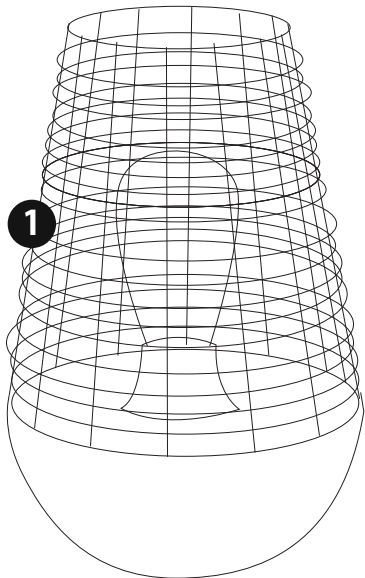
LUXFORM
LIGHTING

LUXFORM GLOBAL BV TRANSPORTSTRAAT 1, 8263BW KAMPEN, THE NETHERLANDS

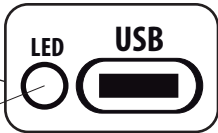
LUXFORM
LIGHTING

USB RECHARGEABLE
CHELSEA TABLE LANTERN





Lights up RED when loading
When fully loaded LED is off



1,5MTR included

Loading needs to be done indoors
10 hours charge for full battery



➔ 6H ON 18H OFF

Lamp lights for 16 days with fully loaded battery



USB-cable only to be used to load USB rechargeable light
Actual charging time is affected by your charger type

