

BATAVIA

# MAXXPACK 18 V

## Cordless hammer drill SDS+

Akku-Bohrhammer SDS+

perforateur sans fil SDS+

Accu boorhamer SDS+

Trapano a percussione a batteria SDS+

Martillo perforador inalámbrico SDS+

Berbequim-martelo SDS+ sem fios

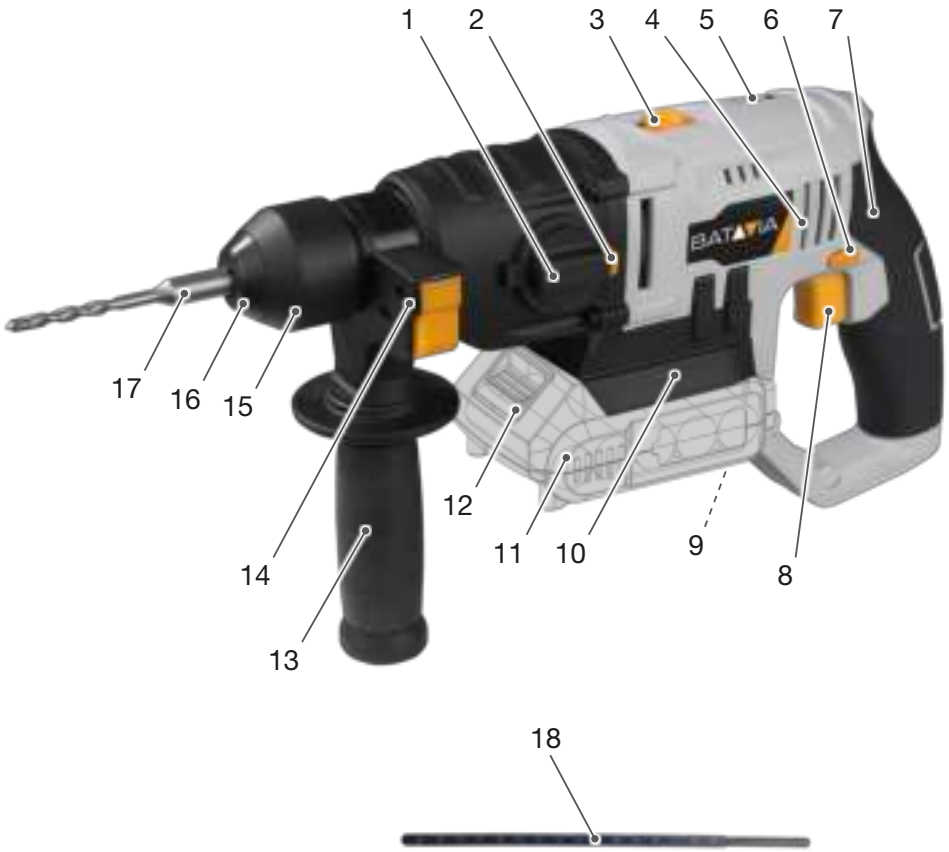
Bezprzewodowa wiertarka udarowa SDS+



Operating instructions  
Bedienungsanleitung (Original)  
Mode d'emploi  
Gebruiksaanwijzing  
Istruzioni di Funzionamento  
Manual de usuario  
Instruções de funcionamento  
Instrukcja

Model: BT-CRH001  
Item-No.: 7062511  
[www.batavia.eu](http://www.batavia.eu)





## OVERVIEW

---

1. Mode Selector
2. Mode Selector Release Button
3. Gear Switch
4. Motor Vents
5. Battery Charge Indicator
6. Forward / Revers Switch
7. Insulated Handle
8. Trigger Switch
9. Battery Charge Indicator (On the Back Side)
10. Battery Slot
11. Battery (not included)
12. Battery Release Button
13. Auxiliary Handle
14. Depth Stop Mount
15. Chuck Collar
16. Chuck
17. SDS Plus drill bit
18. Depth Stop

## ÜBERSICHT

---

1. Betriebswahlschalter
2. Betriebswahlschalterlösetaste
3. Gangwahlschalter
4. Lüftungsschlitze
5. Akku-Ladestandsanzeige
6. Rechts-/Linkslauf-Schalter
7. Isolierter Griff
8. Auslöseschalter
9. Akku-Ladestandsanzeige (auf der Rückseite)
10. Akkuaufnahme
11. Akku (nicht enthalten)
12. Akku-Lösetaste
13. Zusatzgriff
14. Halterung für Tiefenanschlag
15. Bohrfutterring
16. Bohrfutter
17. SDS-Plus-Bohrer
18. Tiefenanschlag

## APERÇU

---

1. Bouton de sélection de mode
2. Bouton de déverrouillage
3. Commutateur de vitesse
4. Orifices de ventilation
5. Témoin de charge de la batterie
6. Bouton d'inversion du sens
7. Préhension isolées
8. Interrupteur marche/arrêt
9. Témoin de charge de la batterie
10. Emplacement de la batterie
11. Batterie (non inclus)
12. Bouton de déverrouillage de batterie
13. Poignée auxiliaire
14. Support pour la butée de profondeur
15. Collier de serrage
16. Mandrin
17. Accessoire SDS Plus
18. Butée de profondeur

## OVERZICHT

---

1. Stand selectieknop
2. Stand selectieknop ontgrendelknop
3. Schakelaar
4. Ventilatiegaten
5. Accu laadindicator
6. Rotatierichting schakelaar
7. Geïsoleerde hangreep
8. Trekker schakelaar
9. Accu laadindicator (op achterkant)
10. Accu gleuf
11. Accu (niet meegeleverd)
12. Accu ontgrendelingsknop
13. Zijgreep
14. Houder voor dieptestop
15. Spankopkraag
16. Spankop
17. SDS Plus Boor Bit
18. Dieptestop

## PANORAMICA

1. Selettore di modalità
2. Pulsante di sblocco selettore di modalità
3. Selettore a ingranaggio
4. Prese di aerazione del motore
5. Indicatore di carica della batteria
6. Selettore avanti/indietro
7. Impugnatura isolata
8. Grilletto
9. Indicatore di carica della batteria (sul lato posteriore)
10. Slot per batteria
11. Batteria (non incluso)
12. Pulsante per la rimozione della batteria
13. Impugnatura supplementare
14. Supporto arresto di fine corsa
15. Collare del mandrino
16. Mandrino
17. Punta trapano SDS Plus
18. Arresto di fine corsa

## RESUMEN

1. Selector de modo
2. Botón de liberación del selector de modo
3. Selector de marchas
4. Rendijas de ventilación del motor
5. Indicador del nivel de carga de la batería
6. Interruptor de avance/retroceso
7. Empuñadura con aislamiento
8. Interruptor de gatillo
9. Piloto de carga de la batería (en la parte posterior)
10. Mecanismo de sujeción de la batería
11. Batería (no incluida)
12. Botón para soltar la batería
13. Empuñadura auxiliar
14. Soporte del tope de profundidad
15. Anillo del portabrocas
16. Portabrocas
17. Broca SDS Plus
18. Tope de profundidad

## VISÃO GERAL

1. Seletor de modo
2. Botão seletor de modo
3. Interruptor de engrenagem
4. Orifícios de ventilação
5. Indicador de carga da bateria
6. Interruptor de reversibilidade
7. Pega com isolamento
8. Gatilho
9. Indicador da carga da bateria (no lado traseiro)
10. Ranhura da bateria
11. Bateria (não incluída)
12. Botão de libertação da bateria
13. Pega auxiliar
14. Suporte de bloqueio de profundidade
15. Gola do mandril
16. Mandril
17. Broca SDS Plus
18. Bloqueio de profundidade

## PRZEGLĄD

1. Wybierak trybu pracy
2. Przycisk odblokowania wybieraka trybu
3. Przełącznik przełożenia
4. Otwory wentylacyjne silnika
5. Wskaźnik ładowania akumulatora
6. Przełącznik kierunku obrotów
7. Izolowana rękojeść
8. Przełącznik wyzwalający
9. Wskaźnik naładowania akumulatora (z tyłu)
10. Uchwyt akumulatora
11. Akumulator (nie wchodzi w skład zestawu)
12. Przycisk zwalniania akumulatora
13. Uchwyt pomocniczy
14. Uchwyt ogranicznika głębokości
15. Pierścień uchwytu
16. Uchwyt
17. Wiertło SDS Plus
18. Ogranicznik głębokości



## CONTENTS

Safety instructions . . . . .	5
During use . . . . .	7
Before first use . . . . .	7
Intended use . . . . .	7
Operation . . . . .	7
Operating Instructions . . . . .	8
Accessories . . . . .	8
Maintenance and Cleaning . . . . .	9
Technical data . . . . .	9
EC-Declaration of conformity . . . . .	9

## INHALTSVERZEICHNIS

Sicherheitshinweise . . . . .	10
Während der Anwendung . . . . .	12
Vor der ersten Benutzung . . . . .	13
Bestimmungsgemäße Verwendung . . . . .	13
Bedienung . . . . .	13
Betrieb . . . . .	14
Zubehör . . . . .	14
Wartung und Reinigung . . . . .	14
Technische Daten . . . . .	15
EG-Konformitätserklärung . . . . .	15

## TABLE DES MATIÈRES

Consignes de sécurité . . . . .	16
Pendant l'usage . . . . .	18
Avant la première utilisation . . . . .	18
Utilisation normale . . . . .	19
Utilisation . . . . .	19
Instructions d'utilisation . . . . .	19
Accessoires . . . . .	20
Nettoyage et maintenance . . . . .	20
Fiche technique . . . . .	21
CE-Déclaration de conformité . . . . .	21

## INHOUDSOPGAVE

Veiligheidsvoorschriften . . . . .	22
Tijdens gebruik . . . . .	24
Voor het eerste gebruik . . . . .	24
Beoogd gebruik . . . . .	24
Gebruik . . . . .	24
Gebruiksaanwijzingen . . . . .	25
Accessoires . . . . .	26
Reiniging en onderhoud . . . . .	26
Technische gegevens . . . . .	26
EG-Conformiteitsverklaring . . . . .	26

## CONTENUTO

Istruzioni di sicurezza . . . . .	27
Durante l'uso . . . . .	29
Operazioni preliminari al primo uso del prodotto . . . . .	29
Destinazione d'uso . . . . .	29
Uso . . . . .	30
Istruzioni di Funzionamento . . . . .	30
Accessori . . . . .	31
Manutenzione e pulizia . . . . .	31
Dati tecnici . . . . .	31
Dichiarazione di conformità CE . . . . .	32

## ÍNDICE

Instrucciones de seguridad . . . . .	33
Durante el uso . . . . .	35
Antes de usar por primera vez . . . . .	36
Uso previsto . . . . .	36
Utilización . . . . .	36
Manual de usuario . . . . .	36
Accesorios . . . . .	37
Mantenimiento y limpieza . . . . .	37
Datos técnicos . . . . .	38
Declaración CE de conformidad . . . . .	38

## ÍNDICE

Instruções de segurança . . . . .	39
Durante a utilização . . . . .	41
Antes da primeira utilização . . . . .	41
Utilização prevista . . . . .	41
Operação . . . . .	42
Instruções de funcionamento . . . . .	42
Acessórios . . . . .	43
Manutenção e limpeza . . . . .	43
Dados técnicos . . . . .	43
Declaração de conformidade CE . . . . .	44

## SPIS TREŚCI

Instrukcje dotyczące bezpieczeństwa . . . . .	45
Podczas użytkowania . . . . .	47
Przed pierwszym użyciem . . . . .	48
Przeznaczenie . . . . .	48
Obsługa . . . . .	48
Instrukcja . . . . .	48
Akcesoria . . . . .	49
Konserwacja i czyszczenie . . . . .	49
Dane techniczne . . . . .	50
Deklaracja zgodności z wymogami UE . . . . .	50



## DEAR CUSTOMERS

Instruction manuals provide valuable hints for using your new device. They enable you to use all functions, and they help you avoid misunderstandings and prevent damage. Please take the time to read this manual carefully and keep it for future reference.

## EXPLANATION OF THE SYMBOLS



*Warning! To reduce the risk of injury, the user must read the instruction manual.*



*Denotes risk of personal injury, loss of life or damage to the tool in case of non-observance of the instructions in this manual.*



*Always wear hearing protection. The effects of noise can cause hearing loss.*



*Wear safety glasses. When working with electric power tools, sparks, splinters, chips and dust particles may be generated and these can cause loss of sight.*



*Electric power tool, protection class II. This sign symbolises that this unit corresponds to Protection Class II. This means that the unit is equipped with either reinforced or double insulation between the mains circuit and output voltage or metal housing respectively.*



*CE stands for "Conformité Européenne", which means "In accordance with EU Regulations". With the CE marking, the manufacturer confirms that this Electric tool complies with the applicable European directives.*



*Do not dispose of electric power tools with domestic refuse.*

## SAFETY INSTRUCTIONS FOR CORDLESS DRILL/DRIVERS

### General

- The tool/charger is not intended for use by persons (including children) with reduced

physical, sensory or mental capabilities, or lack of experience and knowledge, unless they have been given supervision or instruction concerning use of the tool/charger by a person responsible for their safety.

- Ensure that children do not play with the tool/charger.
- Ensure that the Forward/Reverse switch **(6)** is in the middle (locking) position before making any adjustments or changing accessories as well as when carrying or storing the tool.
- Do not work materials containing asbestos (asbestos is considered carcinogenic)
- Dust from material such as paint containing lead, some wood species, minerals and metal may be harmful (contact with or inhalation of the dust may cause allergic reactions and/or respiratory diseases to the operator or bystanders); wear a dust mask and work with a dust extraction device when connectable.
- Certain kinds of dust are classified as carcinogenic (such as oak and beech dust) especially in conjunction with additives for wood conditioning; wear a dust mask and work with a dust extraction device when connectable.
- Follow the dust-related national requirements for the materials you want to work with.
- When using the drill, use safety equipment including safety glasses or shield, ear defenders, and protective clothing including safety gloves. Wear respiratory protection suitable for the work being undertaken. A minimum rating of FFP2 is recommended. If operating the tool causes discomfort in any way, stop immediately and review your method of use.
- Battery chargers are for indoors use only. Ensure that the power supply and charger are protected against moisture at all times.
- Ensure that the lighting is adequate.
- Ensure that the drill bit is securely fixed in the chuck. Insecure drill bits can be ejected from the machine causing a hazard.

- Ensure that the drill bit is not in contact with the workpiece prior to starting up the tool.
- Before drilling, check that there is sufficient clearance for the drill bit under the workpiece.
- Drill bits get hot during operation, allow to cool prior to handling them.
- NEVER use your hands to remove saw-dust, chips or waste close by the bit.
- Examine the chuck regularly for signs of wear or damage. Have damaged parts repaired by a qualified service centre.
- ALWAYS wait until the drill has come to a complete stop before putting it down.

### **ADDITIONAL SAFETY FOR SDS PLUS DRILLS**

**WARNING:** If you suspect or discover asbestos is present in any area you are working seek professional advice immediately. Removal of asbestos should be carried out by a licensed contractor. Contact the HSE in the UK ([www.hse.gov.uk](http://www.hse.gov.uk)) or your national health and safety authority in your country for further information about dealing with asbestos. European Directive 2009/148/EC provides additional information related to exposure to asbestos at work.

- It is imperative to follow all national safety regulations concerning the type of work being undertaken.
- Do not allow anyone under the age of 18 years to use this tool, and ensure that operators are qualified and familiar with the operating and safety instructions.
- Masonry drilling or chiselling can create sharp particles that will impact the operator. Wear impact-resistant safety glasses and protective clothing, including safety boots.
- Core drills should only be used with SDS drills featuring a safety clutch to prevent jamming, which could cause an injury to the operator.
- If the safety clutch operates during use, quickly release the trigger and remove the core drill or bit from the masonry surface being drilled. Do not continue work until

the cause of the safety clutch operating is understood.

- Do not operate SDS drills whilst up a ladder or in any location where there is a risk of falling. SDS drills are heavy and produce strong vibration and high torque in use.
- Wear suitable protective anti-vibration gloves that are non-fabric or coated fabric to prevent loose strands of material catching in the rotating drill bit. Discard gloves immediately if material is visibly frayed.
- Drilling can produce large volumes of dust and debris that may be toxic. Wear respiratory protection suitable for the work being undertaken. A minimum rating of FFP2 is recommended.
- SDS drills produce high volumes of noise and suitable ear protection must be worn at all times while operating the tool.
- SDS drills produce a very high level of vibration when operating in hammer or chisel mode. Frequent breaks are advised.
- Only use SDS Chisels or Points with SDS drills that can disengage rotary drilling mode.
- Use metal and voltage detectors to locate concealed electric, water or gas lines. Avoid touching live components or conductors.
- Extension cable reels used with this tool must be completely unwound. Minimum conductor cross section: 1.25mm<sup>2</sup>.
- Extension reels used outside should be designed for outdoor use and should feature water-protected sockets and correct cable insulation.
- When using an SDS drill outdoors, an RCD device must be used either by connecting to a socket which incorporates an RCD, or through use of an inline RCD.
- Ensure that the chisel or drill bit is securely fixed in the chuck before operating the tool. Insecure drill bits can be ejected from the machine, causing a hazard.
- Ensure lighting is adequate.
- Use both hands when operating this tool.



- Always use the auxiliary handle supplied with the tool.
- Do not place pressure on the tool – to do so could shorten its service life.
- Drill bits become hot during operation. Allow to cool prior to handling.
- If you are interrupted when operating the drill, complete the process and switch off before diverting your attention elsewhere.
- Always disconnect the SDS drill from the electric supply before changing a chisel or drill bit.
- Examine the chuck regularly for signs of wear or damage. Have damaged parts repaired by a qualified service centre.
- Always wait until the drill has come to a complete stop before placing it down.
- On completion of the work, disconnect the tool from the power source and remove the chisel/bit from the machine.
- Periodically check all nuts, bolts and other fixings and tighten where necessary.
- Visibly check the tool after use, especially the power cable, which can be damaged by sharp masonry.
- Always fit the dust guard to the bit in use to prevent damage from debris entering the SDS chuck.
- If operating the tool causes discomfort in any way, stop immediately and review your method of use.

### **DURING USE**

- Hold power tool by insulated gripping surfaces **(7)**, when performing an operation where the cutting accessory or fastener may contact hidden wiring (cutting accessory and fasteners contacting a "live" wire may make exposed metal parts of the power tool "live" and could give the operator an electric shock)
- In case of electrical or mechanical malfunction, immediately switch off the tool or unplug charger from power source.

### **BEFORE FIRST USE**

Remove the machine and the accessories from the packaging. Check the machine for trans-

port damage and do not use the machine in case of damages. Keep the packing materials away from children, risk of suffocation!

### **INTENDED USE**

The SDS Plus Hammer drill is designed for drilling masonry. Also capable of drilling wood and metal with the optional purchase of a standard chuck with SDS Plus connector. The equipment is to be used only for its prescribed purpose.

### **OPERATION**

#### **Auxiliary Handle**

- The auxiliary handle **(13)** should always be used when drilling.
- The auxiliary handle **(13)** can be rotated 360° around the drill head, enabling safe and comfortable operation for both left and right-handed users.

#### **To adjust the auxiliary handle:**

1. Rotate the grip anti-clockwise. This will loosen the handle assembly.
2. Move the side handle to the required position.
3. Secure in position by rotating the grip clockwise.

#### **Depth Stop**

1. Rotate the grip anti-clockwise. This will loosen the handle assembly.
2. Move the depth stop **(18)** to the required position.
3. Secure in position by rotating the grip clockwise.

#### **Operating the Chuck**

- This rotary hammer has a chuck designed for SDS Plus drill bits.
- The SDS Plus system allows bits to be inserted with a simple push-fit action.
- Always grease the tail end of SDS bits. Bits should be freshly greased and free from dirt and dust before use.

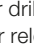

#### **Inserting a Drill Bit**

1. Pull back the chuck collar **(15)** and hold.
2. Insert SDS Plus drill bit **(17)** fully into the chuck **(16)**. Use a twisting motion to line up the grooves in the accessory.

3. Release the chuck collar.
  4. The bit should now be locked into the machine. Check by pulling the bit; if the bit can be removed, repeat the above procedure until secure.
- To remove a bit from the chuck, pull the chuck collar back, and pull firmly on the drill bit.

**WARNING:** Never fit any attachment with a maximum speed lower than the no load speed of the machine.

### Hammer Selection

- The rotary hammer can be used in either hammer drill mode (for masonry work), or conventional rotary drill mode (for wood, metal, plastics etc.) with the optional purchase of a standard chuck to SDS Plus adaptor.
- To select hammer drilling mode, depress the mode selector release button **(2)** on the mode selector **(1)** and align the mode selector with the „“ symbol.
- To select rotary drilling mode, depress the mode selector release button **(2)** on the mode selector **(1)** and align the mode selector with the „“ symbol.
- Do not attempt to move the mode selector whilst the rotary hammer is running.


## OPERATING INSTRUCTIONS


**IMPORTANT:** Put on all safety equipment required before you operate this drill.

### Trigger Switch

- Always hold the rotary hammer firmly using both hands.
- To start the rotary hammer, squeeze the trigger switch **(8)**.
- To stop the rotary hammer, release the trigger switch.

### Selecting forward or reverse rotation

- The direction of the drill can be changed using the forward/reverse switch **(6)**.
- To run the drill in a clockwise direction, position the forward/reverse switch on the left, adjacent to the „“ symbol.
- To run the drill in an anti-clockwise direction, position the forward/reverse

switch on the right, adjacent to the „“ symbol.

- Do not attempt to move the forward/reverse switch whilst the rotary hammer is running.
- Do not attempt to run the rotary hammer with the forward/reverse switch in mid position.

### Speed Control

- The speed of the rotary hammer is controlled by the pressure applied to the trigger switch **(8)**. The further the trigger is depressed the higher the speed.

### Gear Selection

- Select gear 1 on the gear switch **(3)** for the low speed, high torque gear. Suitable for low speed drilling and driving screws and fasteners.
- Select gear 2 on the gear switch for the high speed, low torque gear. Suitable only for high speed drilling.

**Note:** Always read the documentation provided with drill bits and accessories for the recommended or maximum speed setting and use the most appropriate gear. See 'Technical Data' for the maximum no load speed of each gear.

### Drilling Concrete

- Using hammer drill mode, apply pressure to the rear of the rotary hammer, in line with the drill bit.
- For efficient drilling, it is advisable to use TCT (tungsten carbide tipped) drill bits. Ensure that drill bit size is within the maximum capacity of the rotary hammer (see 'Technical Data').
- Do not apply too much pressure if debris blocks the drill hole. Run the rotary hammer slowly, and remove the bit from the hole. Repeat until hole is cleared.

## ACCESSORIES

Use only accessories with an allowable speed matching at least the highest no-load speed of the tool.

## MAINTENANCE AND CLEANING

**WARNING:** Always disconnect from the mains power supply, before carrying out any maintenance/ cleaning of the charger. Remove the battery before carrying out any maintenance/ cleaning of the tool.

### Maintenance

There are no inner parts of the tool which need maintenance.

### Cleaning

- Keep safety devices, ventilation openings and the motor housing as free as possible from dirt and dust. Rub the electric power tool with a clean cloth or blow over it with low pressure compressed air.
- We recommend that you clean your electric power tool immediately after each use.
- Clean the electric power tool regularly with a damp cloth and somewhat soft soap.

Do not use any cleaning or solvent materials; these can attack the device's plastic components. Make sure that no water can get inside the electric power tool.

## TECHNICAL DATA

Speed	0 – 300 min <sup>-1</sup>
	0 – 1000 min <sup>-1</sup>
Impacts per Minute	0 – 5000 min <sup>-1</sup>
Chuck	SDS Plus
Impact Energy	0.8 J
Dimensions	33 × 10 × 19 cm
Weight	1.75 kg
Sound Pressure Level $L_{pA}$	84.28 dB(A)
Uncertainty $K_{pA}$	3 dB
Sound Power Level $L_{WA}$	95.28 dB(A)
Uncertainty $K_{WA}$	3 dB
Hand Arm Vibration	
Main Handle	7.518 m/s <sup>2</sup>
Auxiliary Handle	6.035 m/s <sup>2</sup>
Uncertainty K	1.5m/s <sup>2</sup>
Drilling Cap. Masonry	∅ 20 mm
Drilling Cap. Wood	∅ 20 mm
Drilling Cap. Steel	∅ 10 mm

## DISPOSAL



*Do not dispose of electric power tools with domestic refuse.*

The electric power tool is shipped in packaging to reduce transport damage. This packaging is a raw material and as such can either be reused or can be fed back into the raw material cycle. The electric power tool and its accessories are made from various materials such as metals and plastics. Take defective components to a special refuse collection point. Ask about these at your specialist shop or local council. The product and the user manual may be subject to changes. Technical data may be changed without prior notice.

### Batteries

Think of the environment when disposing of batteries. Contact your local authorities to find out where your nearest disposal area is.

Do not dispose of batteries with domestic refuse.

Do not dispose of by burning, risk of explosion.

## EC-DECLARATION OF CONFORMITY

We, the **Batavia B.V., Weth. Wassebaliestraat 6d, NL-7951 SN Staphorst**, declare by our own responsibility that the product **Cordless hammer drill SDS+, Model BT-CRH001, Item-No 7062511** is according to the basic requirements, which are defined in the European Directives Electromagnetic Compatibility **2014/30/EU (EMC)**, **2006/42/EC (Machinery)**, **2011/65/EU (RoHS)** and their amendments. For the evaluation of conformity, the following harmonized standards were consulted:  
**EN 60745-1:2009+A11,**  
**EN 60745-2-6:2010,**  
**AfPS GS:2019:01 PAK,**  
**EN 55014-1:2017,**  
**EN 55014-2:2015**

Staphorst, 7 June 2021

Meino Seinen, QA Representative  
 Batavia B.V., Weth. Wassebaliestraat 6d,  
 7951 SN Staphorst, Netherlands

## SEHR GEEHRTE DAMEN UND HERREN

Bedienungsanleitungen enthalten wichtige Hinweise für den Umgang mit Ihrem neuen Produkt. Sie ermöglichen Ihnen, alle Funktionen zu nutzen, und sie helfen Ihnen, Missverständnisse zu vermeiden und Schäden vorzubeugen.

Bitte nehmen Sie sich die Zeit, diese Bedienungsanleitung in Ruhe durchzulesen und bewahren Sie diese für späteres Nachlesen gut auf.

## ERLÄUTERUNG DER SYMBOLE



**WARNUNG** - Zur Verringerung des Verletzungsrisikos Bedienungsanleitung lesen.



**Lebens- und Verletzungsgefahr und Gefahr von Beschädigungen am Gerät bei Nichteinhaltung der Sicherheitsvorschriften in dieser Anleitung.**



**Tragen Sie immer einen Gehörschutz. Die Einwirkung von Lärm kann Gehörverlust bewirken.**



**Tragen Sie eine Schutzbrille. Während der Arbeit entstehende Funken oder aus dem Elektrowerkzeug heraustretende Splitter, Späne und Stäube können Sichtverlust bewirken.**



**Elektrowerkzeug der Schutzklasse II. Dieses Zeichen symbolisiert, dass dieses Gerät der Schutzklasse II entspricht. Dies bedeutet, dass das Gerät mit einer verstärkten oder doppelten Isolierung zwischen Netzstromkreis und Ausgangsspannung beziehungsweise Metallgehäuse ausgestattet ist.**



**CE steht für „Conformité Européenne“, dies bedeutet, Übereinstimmung mit EU Richtlinien“. Mit der CE Kennzeichnung bestätigt der Hersteller, dass dieses Elektrowerkzeug den geltenden europäischen Richtlinien entspricht.**



**Nicht in den Hausmüll entsorgen!**

## SICHERHEITSHINWEISE FÜR AKKUBOHRSCHRAUBER

### Allgemeines

- Das Werkzeug/Ladegerät ist nicht dafür bestimmt durch Personen (einschließlich Kinder) mit eingeschränkten physischen, sensorischen oder geistigen Fähigkeiten, oder mangelnder Erfahrung und Wissen, benutzt zu werden; es sei denn, sie werden durch eine für ihre Sicherheit zuständige Person beaufsichtigt oder erhalten von ihr Anweisungen, wie das Werkzeug/Ladegerät zu benutzen ist.
- Stellen Sie sicher, dass Kinder nicht mit dem Werkzeug/ Ladegerät spielen.
- Stellen Sie sicher dass Rechts-/Links-lauf-Umschalter **(6)** sich in der mittel-(Schluss-) Position befindet, bevor Sie Werkzeugeinstellungen vornehmen oder Zubehör wechseln, sowie beim Tragen oder Weglegen des Werkzeuges.
- Bearbeiten Sie kein asbesthaltiges Material (Asbest gilt als krebserregend)
- Staub von Materialien wie Farbe, die Blei enthält, einigen Holzarten, Mineralien und Metall kann schädlich sein (Kontakt mit oder Einatmen des Staubs kann zu allergischen Reaktionen und/oder Atemwegserkrankheiten beim Bediener oder Umstehenden führen); tragen Sie eine Staubmaske und arbeiten Sie mit einem Staubabsaugungssystem, wenn ein solches angeschlossen werden kann.
- Bestimmte Arten von Staub sind als karzinogen klassifiziert (beispielsweise Eichen- und Buchenholzstaub), insbesondere in Verbindung mit Zusätzen für die Holzvorbehandlung; tragen Sie eine Staubmaske und arbeiten Sie mit einem Staubabsaugungssystem, wenn ein solches angeschlossen werden kann.
- Beachten Sie die für Ihr verwendetes Verbrauchsmaterial gültigen nationalen Staubschutzvorgaben.
- Verwenden Sie beim Betrieb des Gerätes Schutzausrüstung einschließlich Schutzbrille oder Gesichtsschutz, Gehörschutz und Schutzkleidung einschließlich Schutzhandschuhen. Tragen Sie je nach auszuführender Aufgabe einen Atemschutz.

Dieser muss mindestens der Klasse FFP-2 entsprechen. Falls der Betrieb des Gerätes Beschwerden oder Unbehagen auslöst, unterbrechen Sie die Arbeit umgehend und gehen Sie der Ursache auf den Grund.

- Sorgen Sie für ausreichende Beleuchtung des Arbeitsbereiches.
- Vergewissern Sie sich, dass der Bohrer sicher im Bohrfutter befestigt ist. Locker sitzende Einsatzwerkzeuge können aus dem Gerät geschleudert werden und eine Sicherheitsgefahr darstellen.
- Setzen Sie das Einsatzwerkzeug, der Bohrer, niemals vor dem Einschalten des Gerätes auf das Werkstück.
- Prüfen Sie vor Beginn der Arbeit, dass unter dem Werkstück ausreichend Freiraum für das Einsatzwerkzeug besteht.
- Einsatzwerkzeuge werden während des Betriebs heiß. Lassen Sie sie vor dem Berühren abkühlen.
- Entfernen Sie Sägemehl, Sägespäne oder Ausschussmaterial nahe dem Einsatzwerkzeug niemals mit den Händen.
- Verwenden Sie nach Möglichkeit Spannvorrichtungen oder einen Schraubstock zur sicheren Befestigung des Werkstücks.
- Untersuchen Sie das Bohrfutter regelmäßig auf Verschleißerscheinungen und Schäden. Lassen Sie defekte Teile von einer zugelassenen Vertragswerkstatt reparieren bzw. ersetzen.
- Warten Sie stets, bis das Einsatzwerkzeug zum völligen Stillstand gekommen ist, bevor Sie das Gerät ablegen.

### **ZUSÄTZLICHE SICHERHEITSHINWEISE FÜR SDS-PLUS-BOHRHÄMMER**

**WARNUNG!** Falls Grund zur Annahme besteht, dass Asbest in Ihrem Arbeitsumfeld vorhanden ist, holen Sie umgehend fachmännischen Rat ein. Mit dem Abbau von Asbest sollte ein entsprechend lizenziertes Unternehmen beauftragt werden. Wenden Sie sich an die zuständigen Behörden, wenn Sie weitere Informationen zum Umgang mit Asbest benötigen. Die Richtlinie 2009/148/EG des Europäischen Parlaments und des Rates vom 30. November 2009 gibt zusätzlich Auskunft zum

Schutz von Arbeitnehmern gegen Gefährdung durch Asbest am Arbeitsplatz.

- Es ist unbedingt notwendig, alle national geltenden Sicherheitsbestimmungen hinsichtlich der auszuführenden Arbeit zu befolgen.
- Dieses Gerät darf nicht von Personen unter 18 Jahren verwendet werden. Bediener müssen im Gebrauch des Gerätes geschult und mit den Sicherheitsvorschriften vertraut sein.
- Beim Bohren in und Meißeln von Mauerwerk können scharfkantige Partikel entstehen, die den Bediener treffen. Tragen Sie daher eine schlagfeste Schutzbrille und Schutzkleidung einschließlich Sicherheitsschuhen.
- Kernbohrer dürfen nur mit SDS-Bohrhämmer mit Sicherheitskupplung verwendet werden, um ein Verklemmen des Bohrers und ein daraus resultierendes Verletzungsrisiko für den Bediener zu verhindern.
- Falls die Sicherheitskupplung während des Betriebs auslöst, geben Sie sofort den Auslöser frei und entfernen Sie den Kernbohrer bzw. das Einsatzwerkzeug aus dem Mauerwerk. Stellen Sie die Arbeit ein, bis der Grund für das Auslösen der Sicherheitskupplung gefunden ist.
- Betreiben Sie SDS-Bohrhämmer nicht von einer Leiter aus oder aus einer anderen Position, in der ein Sturzrisiko besteht. SDS-Bohrhämmer sind schwer und erzeugen während des Betriebs starke Vibrationen und ein hohes Drehmoment.
- Tragen Sie geeignete Antivibrationshandschuhe aus Kunstfaser oder beschichtetem Stoff, um zu verhindern, dass sich lose Stofffasern im sich drehenden Bohrer verfangen können. Entsorgen Sie die Schutzhandschuhe umgehend, wenn sie ausgefranst sind.
- Beim Bohren können großen Mengen möglicherweise giftigen Staubs und Schmutzes entstehen. Tragen Sie eine für die durchzuführende Aufgabe geeignete Atemschutzmaske. Als Mindestanforderung an die Schutzwirkung wird Klasse FFP 2 empfohlen.

- Da SDS-Bohrhämmer ein hohes Geräuschvolumen erzeugen, ist während des gesamten Arbeitseinsatzes ein geeigneter Gehörschutz zu tragen.
- Da SDS-Bohrhämmer im Meißel- und Hammerbohrbetrieb sehr starke Schwingungen erzeugen, müssen regelmäßige Arbeitspausen eingelegt werden.
- Setzen Sie ausschließlich SDS-Meißel bzw. SDS-Spitzmeißel bei SDS-Bohrmaschinen ein, bei denen sich die Drehbohrfunktion ausschalten lässt.
- Verwenden Sie Metall- und Spannungssuchgeräte, um verdeckt geführte Strom-, Wasser- und Gasleitungen zu orten. Berühren Sie keine spannungsführenden Bauteile oder Leiter.
- Kabeltrommeln für mit diesem Gerät verwendete Verlängerungskabel müssen vollständig abgewickelt werden. Mindestleiterquerschnitt: 1,25 mm<sup>2</sup>.
- Im Freien verwendete Kabeltrommeln müssen ausdrücklich für einen derartigen Gebrauch vorgesehen sein und wassergeschützte Stecker sowie die korrekte Kabelisolierung aufweisen.
- Schließen Sie das Gerät bei Verwendung im Freien an eine Stromquelle mit Fehlerstromschutzschalter an bzw. verwenden Sie einen festeingebauten FI-Schalter.
- Vergewissern Sie sich, dass der Bohrer bzw. Meißel sicher im Bohrfutter befestigt ist. Locker sitzende Einsatzwerkzeuge können aus dem Gerät geschleudert werden und eine Sicherheitsgefahr darstellen.
- Sorgen Sie für ausreichende Beleuchtung des Arbeitsbereiches.
- Halten Sie das Gerät während des Betriebs stets mit beiden Händen.
- Benutzen Sie mit dem Gerät gelieferte Zusatzhandgriffe.
- Üben Sie keinen Druck auf das Gerät aus, weil dadurch seine Lebensdauer verkürzt würde.
- Einsatzwerkzeuge werden während des Betriebs heiß. Lassen Sie sie vor dem Berühren abkühlen.
- Falls Sie beim Betrieb der Bohrmaschine unterbrochen werden, führen Sie den begonnenen Arbeitsschritt zu Ende und schalten Sie das Gerät aus, bevor Sie aufschauen.
- Trennen Sie das Gerät stets von der Stromversorgung, bevor Sie ein Einsatzwerkzeug wie z.B. Meißel oder Bohrer auswechseln.
- Untersuchen Sie das Bohrfutter regelmäßig auf Verschleißerscheinungen und Schäden. Lassen Sie defekte Teile von einer zugelassenen Vertragswerkstatt reparieren bzw. ersetzen.
- Warten Sie stets, bis das Einsatzwerkzeug zum völligen Stillstand gekommen ist, bevor Sie das Gerät ablegen.
- Trennen Sie das Gerät nach Beendigung der Arbeit vom Stromnetz und entfernen Sie das Einsatzwerkzeug aus dem Gerät.
- Überprüfen Sie in regelmäßigen Abständen sämtliche Schrauben, Muttern und anderen Befestigungselemente auf festen Sitz und ziehen Sie sie bei Bedarf an.
- Unterziehen Sie das Gerät nach dem Gebrauch einer Sichtprüfung und richten Sie dabei besonderes Augenmerk auf das Netzkabel, welches durch scharfe Mauerwerkspartikel beschädigt worden sein kann.
- Bringen Sie stets eine Staubschutzkappe am zu verwendenden Einsatzwerkzeug an, um das SDS-Bohrfutter vor eindringendem Schmutz zu schützen.
- Falls es durch den Gebrauch des Gerätes zu Unwohlsein jeglicher Art kommt, stellen Sie den Betrieb umgehend ein und überprüfen Sie Ihre Arbeitsweise.

#### **WÄHREND DER ANWENDUNG**

- Halten Sie das Elektrowerkzeug an den isolierten Griffflächen **(7)**, wenn Sie Arbeiten ausführen, bei denen das Einsatzwerkzeug oder die Schraube verborgene Stromleitungen treffen kann (der Kontakt mit einer spannungsführenden Leitung kann auch Metallteile des Elektrowerkzeuges unter Spannung setzen und zu einem elektrischen Schlag führen)

- Im Falle von atypischem Verhalten oder Fremdgeräuschen schalten Sie das Werkzeug sofort aus oder ziehen Sie den Netzstecker des Ladegeräts aus der Steckdose.

### **VOR DER ERSTEN BENUTZUNG**

Nehmen Sie die Maschine und das Zubehör aus der Verpackung. Überprüfen Sie die Maschine auf Transportschäden und verwenden Sie diese nicht, wenn sie beschädigt ist. Halten Sie Verpackungsmaterialien von Kindern fern. Es besteht Erstickungsgefahr!

### **BESTIMMUNGSGEMÄSSE VERWENDUNG**

Der Akku Bohrhämmer ist geeignet für das Bohren von Mauerwerk. Das Gerät ist bei Anschaffung eines separat erhältlichen Standardbohrfutters mit SDS-Plus-Aufnahme auch zum Bohren von Holz und Metall einsetzbar. Die Maschine darf nur nach ihrer Bestimmung verwendet werden.

### **BEDIENUNG**

#### **Seitengriff**

- Der Zusatzgriff **(13)** muss stets verwendet werden.
- Der Zusatzgriff lässt sich um 360° um den Bohrkopf herum drehen und ermöglicht so einen komfortablen Betrieb für Links- und Rechtshänder.

#### **Verstellen des Zusatzgriffs:**

1. Drehen Sie den Griff entgegen dem Uhrzeigersinn. Auf diese Weise wird der Griff gelöst.
2. Bringen Sie den Zusatzgriff in die gewünschte Position.
3. Arretieren Sie ihn, indem Sie den Griff im Uhrzeigersinn drehen.

#### **Tiefenanschlag**

1. Drehen Sie den Griff entgegen dem Uhrzeigersinn. Auf diese Weise wird der Griff gelöst.
2. Bringen Sie den Tiefenanschlag **(18)** in die gewünschte Position.
3. Arretieren Sie ihn, indem Sie den Griff im Uhrzeigersinn drehen.

### **Bedienen des Bohrfutters**

- Dieser Bohrhämmer besitzt ein Bohrfutter, das für SDS-Plus-Bohreinsätze bestimmt ist.
- Mithilfe des SDS-Plus-Systems lassen sich Bohrer einfach aufstecken.
- Die Endstücke von SDS-Bohreinsätzen müssen stets geschmiert werden. Bohrer müssen vor dem Gebrauch von Schmutz und Staub befreit und frisch geschmiert werden.

### **Bohrer einsetzen**

1. Ziehen Sie den Bohrfutterring zurück **(15)** und halten Sie ihn fest.
  2. Stecken Sie den SDS-Plus-Bohrer bis zum Anschlag ins Bohrfutter **(16)** ein. Drehen Sie, bis die Rillen im Einsatzwerkzeug aneinander ausgerichtet sind.
  3. Lassen Sie den Bohrfutterring los.
  4. Der Bohreinsatz sollte jetzt in der Maschine arretiert sein. Überprüfen Sie dies, indem Sie am Bohrer ziehen. Wenn sich der Bohrer herausnehmen lässt, wiederholen Sie die oben aufgeführten Schritte, bis der Bohrer fest sitzt.
- Um einen Bohrer aus dem Bohrfutter zu entfernen, ziehen Sie den Bohrfutterring zurück und ziehen fest am Bohrer.

**WARNUNG!** Bringen Sie niemals Zubehörteile an, deren maximale Geschwindigkeit niedriger als die Leerlaufdrehzahl der Maschine ist.

### **Hammermodus**

- Der Bohrhämmer kann entweder in der Bohrhämmer-Betriebsart (für Maurerarbeiten) oder bei Erwerb eines separat erhältlichen Adapters zur Verwendung eines Standardbohrfutters mit SDS-Plus-System in der herkömmlichen Drehbohrer-Betriebsart (für Holz, Metall, Kunststoffe usw.) eingesetzt werden.
- Zur Wahl der Bohrhämmer-Betriebsart betätigen Sie die Lösetaste **(2)** am Betriebswahlschalter **(1)** und richten den Betriebswahlschalter auf das Symbol „**T**“ aus.
- Zur Wahl der Drehbohrer-Betriebsart betätigen Sie die Lösetaste am Betriebswahlschalter und richten den Betriebswahlschalter auf das Symbol „**I**“ aus.



- Verstellen Sie den Betriebswahlschalter niemals, während der Bohrhämmer läuft.

## BETRIEB

**Wichtiger Hinweis:** Legen Sie vor Inbetriebnahme die bei der Arbeit mit diesem Gerät erforderliche Schutzausrüstung an.

### Auslöseschalter

- Halten Sie den Bohrhämmer stets mit beiden Händen fest.
- Um den Bohrhämmer zu starten, drücken Sie den Auslöseschalter **(8)**.
- Um den Bohrhämmer anzuhalten, geben Sie den Auslöseschalter wieder frei.

### Rechts-/Linkslauf

- Die Drehrichtung des Bohrhammers kann mit Hilfe des Rechts-/Linkslauf-Schalters **(6)** gewechselt werden.
- Um den Bohrhämmer im Uhrzeigersinn laufen zu lassen, stellen Sie den Rechts-/Linkslauf-Schalter nach links auf das Symbol „▶“.
- Um den Bohrhämmer entgegen dem Uhrzeigersinn laufen zu lassen, stellen Sie den Rechts-/Linkslauf-Schalter nach rechts auf das Symbol „◀“.
- Verstellen Sie den Rechts-/Linkslauf-Schalter niemals, während die Bohrhämmer läuft.
- Betreiben Sie den Bohrhämmer nicht, wenn sich der Rechts-/Linkslauf-Schalter in einer Zwischenposition befindet.

### Drehzahlregler

- Die Geschwindigkeit des Bohrhammers wird durch den auf den Auslöseschalter **(8)** ausgeübten Druck gesteuert. Je weiter der Auslöseschalter heruntergedrückt ist, desto höher ist die Geschwindigkeit.

### Gangwahl

- Wählen Sie am Gangwahlschalter **(3)** den ersten Gang für niedrige Geschwindigkeit bei hohem Drehmoment. Für langsames Bohren und das Eindrehen von Schrauben und anderen Befestigungsmitteln geeignet.
- Wählen Sie am Gangwahlschalter den zweiten Gang für höhere Geschwindigkeit bei niedrigem Drehmoment. Nur für das

Bohren mit hoher Geschwindigkeit geeignet!

**Hinweis:** Beachten Sie stets die mit den Bohreinsätzen und dem Zubehör gelieferten Anweisungen und Informationen, um Angaben zur empfohlenen oder maximalen Geschwindigkeitseinstellung zu erhalten. Verwenden Sie stets den am besten geeigneten Gang. In den „Technischen Daten“ finden Sie Angaben zur maximalen Leerlaufdrehzahl des jeweiligen Gangs.

### Bohren von Beton

- Üben Sie in der Bohrhämmer-Betriebsart in einer Linie mit dem Bohrer Druck auf den hinteren Teil des Bohrhammers aus.
- Für effizientes Bohren ist es ratsam, hartmetallbestückte Bohrer zu verwenden. Stellen Sie sicher, dass die Größe der Bohrer die maximale Aufnahmefähigkeit des Bohrhammers nicht über- oder unterschreitet (siehe „Technische Daten“).
- Üben Sie keinen zu starken Druck aus, wenn Rückstände das Bohrloch blockieren. Lassen Sie den Bohrhämmer langsam laufen und ziehen Sie den Bohrer aus dem Bohrloch. Wiederholen Sie diesen Schritt, bis das Loch sauber ist.

## ZUBEHÖR

Nur Zubehör verwenden, dessen zulässige Drehzahl mindestens so hoch ist wie die höchste Leerlaufdrehzahl des Werkzeuges.

## WARTUNG UND REINIGUNG

**WARNUNG:** Trennen Sie das Ladegerät stets vom Stromnetz, bevor Sie Wartungs- oder Reinigungsarbeiten daran vornehmen. Entnehmen Sie den Akku, bevor Sie Wartungs- oder Reinigungsarbeiten an dem Gerät durchführen.

### Wartung

Im Geräteinneren befinden sich keine weiteren zu wartenden Teile.

### Reinigung

- Halten Sie Schutzvorrichtungen, Lüftungsöffnungen und Motoregehäuse so staub- und schmutzfrei wie möglich. Reiben Sie das Elektrowerkzeug mit einem sauberen Tuch ab oder blasen Sie es mit Druckluft bei niedrigem Druck aus.



- Wir empfehlen, dass Sie das Elektrowerkzeug direkt nach jeder Benutzung reinigen.
- Reinigen Sie das Elektrowerkzeug regelmäßig mit einem feuchten Tuch und etwas Schmierseife.

Verwenden Sie keine Reinigungs- oder Lösungsmittel; diese könnten die Kunststoffteile des Elektrowerkzeuges angreifen. Achten Sie darauf, dass kein Wasser in das Innere des Elektrowerkzeuges gelangen kann.

### TECHNISCHE DATEN

Drehzahl . . . . .	0 – 300 min <sup>-1</sup>
. . . . .	0 – 1000 min <sup>-1</sup>
Schläge pro Minute . . . . .	0 – 5000 min <sup>-1</sup>
Bohrfutter . . . . .	SDS Plus
Schlagenergie . . . . .	0,8 J
Abmessungen . . . . .	33 × 10 × 19 cm
Gewicht . . . . .	1,75 kg
Schalldruckpegel L <sub>PA</sub> . . . . .	84,28 dB(A)
Unsicherheit K <sub>PA</sub> . . . . .	3 dB
Schalleistungspegel L <sub>WA</sub> . . . . .	95,28 dB(A)
Unsicherheit K <sub>WA</sub> . . . . .	3 dB
Hand-Arm-Vibration	
Handgriff . . . . .	7,518 m/s <sup>2</sup>
Zusatzhandgriff . . . . .	6,035 m/s <sup>2</sup>
Unsicherheit K . . . . .	1,5m/s <sup>2</sup>
Bohrleistung Mauerwerk . . . . .	∅ 20 mm
Bohrleistung Holz . . . . .	∅ 20 mm
Bohrleistung Metall . . . . .	∅ 10 mm

### ENTSORGUNG



*Entsorgen Sie Elektrowerkzeuge nicht über den Hausmüll.*

Das Elektrowerkzeug befindet sich in einer Verpackung, um Transportschäden zu verhindern. Diese Verpackung ist Rohstoff und ist somit wieder verwendbar oder kann dem Rohstoffkreislauf zurückgeführt werden. Das Elektrowerkzeug und dessen Zubehör bestehen aus verschiedenen Materialien, wie z.B. Metall und Kunststoffe. Führen Sie defekte Bauteile der Sondermüllentsorgung zu. Fragen Sie im Fachgeschäft oder in der Gemeindeverwaltung nach!

Das Produkt und das Benutzerhandbuch können geändert werden. Die technischen Daten können ohne Vorankündigung geändert werden.

### Batterien

Denken Sie bei der Entsorgung von Batterien an den Umweltschutz. Wenden Sie sich zwecks einer umweltfreundlichen Entsorgung an die lokalen Behörden.

### EG-KONFORMITÄTSERKLÄRUNG

Wir, die **Batavia B.V., Weth. Wassebaliestraat 6d, NL-7951 SN Staphorst**, erklären in alleiniger Verantwortung, dass das Produkt **Akku-Bohrhammer SDS+, Typ BT-CRH001, Artikel Nr. 7062511** den wesentlichen Schutzanforderungen genügt, die in den Europäischen Richtlinien **2014/30/EU** Elektromagnetische Verträglichkeit (EMV), **2006/42/EG** (Maschinen), **2011/65/EU** (RoHS) und deren Änderungen festgelegt sind. Für die Konformitätsbewertung wurden folgende harmonisierte Normen herangezogen:

**EN 60745-1:2009+A11,**  
**EN 60745-2-6:2010,**  
**AfPS GS:2019:01 PAK,**  
**EN 55014-1:2017,**  
**EN 55014-2:2015**

Staphorst, den 7. Juni 2021

Meino Seinen, Qualitätsbeauftragter  
 Batavia B.V., Weth. Wassebaliestraat 6d,  
 NL-7951 SN Staphorst, Niederlande

## CHER CLIENT

Les manuels d'utilisation contiennent des consignes importantes pour la manipulation de votre nouveau produit. Ils vous permettent d'utiliser toutes les fonctions, d'éviter des erreurs de compréhension et de prévenir les dommages.

Veillez prendre le temps de lire tranquillement ce manuel d'utilisation et conservez-le jalousement pour une consultation ultérieure.

## EXPLICATION DES SYMBOLES



**AVERTISSEMENT** : pour réduire les risques de blessures, veuillez lire le mode d'emploi.



Indique un risque de blessure, un danger mortel ou un risque d'endommagement de l'outil en cas de non-respect des consignes de ce mode d'emploi.



Portez en permanence une protection auditive. L'exposition au bruit peut provoquer des pertes d'audition.



Portez des lunettes de protection. Les étincelles provoquées par le travail ou les éclats, les copeaux et les poussières provenant de l'appareil électrique peuvent entraîner la perte de la vue.



Appareil électrique de la classe de protection II. Ce symbole signifie que cet appareil est conforme à la classe de protection II. Ceci signifie que l'appareil est équipé d'une isolation renforcée ou doublée entre le circuit de courant de réseau et la sortie électrique, c'est-à-dire le boîtier en métal.



CE est l'abréviation de "Conformité Européenne", ce qui signifie "conforme aux directives de l'Union Européenne". Le fabricant confirme par le marquage CE que cet appareil électrique correspond aux directives européennes en vigueur.



Ne jetez pas les équipements électriques avec les ordures ménagères.

## INSTRUCTIONS DE SÉCURITÉ POUR PERCEUSE/ VISSEUSES SANS FIL

### Généralités

- L'outil/chargeur n'a pas été conçu pour être utilisé par des personnes (y compris des enfants) dont les capacités physiques, sensorielles ou mentales sont réduites, ou manquant d'expérience ou de connaissances, excepté si elles ont fait l'objet d'une surveillance ou ont reçu des instructions concernant l'utilisation de l'outil/chargeur par une personne responsable de leur sécurité.
- Veillez à ce que les enfants ne jouent pas avec l'outil/le chargeur.
- Vérifiez que le bouton d'inversion du sens (6) est en position moyen (de blocage) avant d'effectuer des réglages sur l'outil ou de changer des accessoires, ainsi qu'en transportant ou rangant l'outil.
- Ne travaillez pas de matériaux contenant de l'amiante (l'amiante est considérée comme étant cancérigène)
- La poussière de matériaux, tels que la peinture contenant du plomb, certaines espèces de bois, certains minéraux et différents métaux, peut être nocive (le contact avec la poussière ou son inhalation peut provoquer des réactions allergiques et/ou des maladies respiratoires chez l'opérateur ou des personnes se trouvant à proximité); portez un masque anti poussières et travaillez avec un appareil de dépoussiérage lorsqu'il est possible d'en connecter un.
- Certains types de poussières sont classifiés comme étant cancérigènes (tels que la poussière de chêne ou de hêtre), en particulier en combinaison avec des additifs de traitement du bois; portez un masque anti poussières et travaillez avec un appareil de dépoussiérage lorsqu'il est possible d'en connecter un.
- Suivez les directives nationales relatives au dépoussiérage pour les matériaux à travailler.

- Les chargeurs de batterie sont pour un usage intérieur seulement. Assurez-vous que la source d'alimentation et le chargeur soient protégés de l'humidité en permanence.
- L'utilisation d'une perceuse demande le port d'équipements de sécurité tels que lunettes ou visière de sécurité, casque anti-bruit et habillement protecteur tel que gants de sécurité. Portez un masque protecteur adapté à la tâche. Un indice minimal FFP2 est recommandé. Si l'utilisation de cet outil vous cause une gêne quelconque, arrêtez immédiatement et revoyez votre méthode d'utilisation.
- Assurez-vous de disposer d'un éclairage suffisant.
- Assurez-vous que les forets soient bien fixés dans le mandrin. Les forets mal insérés peuvent être éjectés de la machine et représentent un danger.
- Assurez-vous que le foret ne soit pas en contact avec la pièce de travail avant de mettre la perceuse en marche.
- Avant de commencer le perçage, assurez-vous de disposer de suffisamment d'espace libre sous la pièce à percer.
- Les accessoires (mèches, etc.) pourront avoir atteint des températures élevées lors du perçage, laissez-les refroidir avant de les manipuler.
- Ne retirez jamais la sciure ou la poussière avec les mains à proximité de la mèche.
- Examinez le mandrin régulièrement à la recherche de tout signe d'usure ou de dommage. Faites réparer les pièces endommagées par un centre de réparation homologué.
- Attendez toujours que la machine soit parvenue à un arrêt complet avant de la déposer.

### **CONSIGNES DE SÉCURITÉ SUPPLÉMENTAIRES POUR LES OUTILS DE PERÇAGE SDS PLUS**

**Attention** : Si vous suspectez la présence d'amiante, ou si vous en découvrez dans n'importe quel endroit de votre zone de travail, contactez immédiatement un professionnel pour obtenir son avis. L'enlèvement de

l'amiante doit être effectué par un entrepreneur certifié. Contactez le centre HSE en Grande-Bretagne ([www.hse.gov.uk](http://www.hse.gov.uk)), ou votre centre d'hygiène et de sécurité national de votre pays pour plus d'informations relatives sur l'amiante. La directive européenne 2009/148/CE procure des informations relatives à l'exposition à l'amiante au travail.

- Il est impératif de suivre toutes les réglementations nationales de sécurité concernant le type de travail à effectuer.
- Il est interdit à toute personne de moins de 18 ans d'employer cet appareil. Tout utilisateur de l'appareil doit être formé à l'utilisation d'une perceuse/marteau perforateur.
- Le perçage ou le burinage des matériaux de maçonnerie peut créer des particules tranchantes pour l'utilisateur. Portez les équipements personnels de sécurité nécessaires tels que lunettes ou visière de sécurité, et chaussures de sécurité.
- Les perceuses SDS doivent être utilisées avec des forets SDS avec un embrayage de sécurité pour éviter les blocages qui peuvent être dangereux pour l'utilisateur.
- Si l'embrayage de sécurité s'active pendant l'utilisation, relâcher rapidement la gâchette et retirer la carotte ou la pointe de la surface de la maçonnerie à percer. Ne pas poursuivre le travail jusqu'à ce que la cause de la mise en service d'embrayage n'a pas été comprise.
- N'utilisez pas une perceuse SDS sur une échelle ou tout endroit où il y a un risque de chute. Les perceuses SDS sont lourdes et produisent de fortes vibrations et un couple important.
- Portez des gants adéquates pour réduire les effets vibratoires : ils ne doivent pas être en tissu ou en tissu à revêtement pour éviter que des fils se prennent sur le foret. Jetez immédiatement des gants effilochés.
- Percer peut produire une quantité importante de poussière et de débris qui peuvent être toxiques. Portez des protections respiratoires adéquates à la tâche à effectuer. Il est recommandé d'utiliser au moins une protection FFP2.

- Les perceuses SDS produisent un volume sonore important, et des protections auditives adéquates doivent être portées pendant tout le temps d'utilisation.
- Les perceuses SDS produisent une intensité vibratoire élevée en mode de perforation/ burinage. Il est recommandé de prendre régulièrement des pauses.
- Utilisez uniquement des burins SDS Plus ou des burins SDS qui peuvent désenclencher le mode de perçage rotatif.
- Détectez la présence de câbles électriques et de conduites d'eau ou de gaz à l'aide d'un détecteur de métal et de tension. Ne touchez pas les composants ou conducteurs électriques sous tension.
- Toute rallonge électrique sur dévidoir éventuellement utilisée avec cet appareil doit être totalement dévidée. La rallonge doit présenter un câble de section transversale d'au moins 1,25 mm<sup>2</sup>.
- Toute rallonge pour un usage en extérieur doit comporter des prises étanches et une isolation du câble appropriée.
- Lors de l'utilisation de cet outil en extérieur, utilisez un disjoncteur différentiel (RCD) soit en ligne ou branché sur la prise.
- Assurez-vous que les forets soient bien fixés dans le mandrin. Les forets mal insérés peuvent être éjectés de la machine et représentent un danger.
- Assurez-vous de disposer d'un éclairage suffisant.
- Utilisez les deux mains lorsque vous utilisez cet outil.
- Utilisez la poignée auxiliaire fourni avec l'outil.
- Ne pas appliquer une pression sur l'outil - cela pourrait réduire la durée de vie.
- Les accessoires (forets, etc.) pourront avoir atteint des températures élevées lors du perçage, laissez-les refroidir avant de les manipuler.
- Si l'on vous interrompt pendant le perçage, terminez l'opération et éteignez l'appareil avant de vous concentrer sur autre chose.
- Débranchez toujours l'appareil avant de changer tout accessoire.
- Examinez le mandrin régulièrement à la recherche de tout signe d'usure ou de dommage. Faites réparer les pièces endommagées par un centre de réparation homologué.
- Attendez toujours que la machine soit parvenue à un arrêt complet avant de la déposer.
- Une fois le travail terminé, débranchez l'appareil et retirez toujours l'accessoire (burin, foret) de l'appareil.
- Vérifiez régulièrement que les écrous, boulons et autres dispositifs de fixation soient bien serrés.
- Inspectez l'état de l'appareil après chaque utilisation, surtout le câble d'alimentation qui peut être facilement endommagé par le tranchant des matériaux.
- Installez la protection anti-poussière sur l'embout pour éviter que la poussière ne rentre dans le mandrin SDS.
- Si l'utilisation de l'appareil devient inconfortable, arrêtez immédiatement et révisez votre la manière dont vous l'utilisez.

#### **PENDANT L'USAGE**

- Tenez l'outil par les surfaces de préhension isolées **(7)**, lors de la réalisation d'une opération au cours de laquelle l'accessoire de coupe ou la vis peut entrer en contact avec un câblage non apparent (le contact avec un fil sous tension peut également mettre sous tension les parties métalliques de l'outil électrique et provoquer un choc électrique sur l'opérateur)
- En cas d'anomalie électrique ou mécanique, coupez immédiatement l'outil ou débranchez le chargeur du secteur.

#### **AVANT LA PREMIÈRE UTILISATION**

Retirez la marteau perforateur sans fil let les accessoires de l'emballage. Vérifiez si la marteau perforateur sans fil a subi des dommages durant le transport et ne l'utilisez pas dans ce cas. Conservez les matériaux d'emballage hors de la portée des enfants, risque d'étouffement !

## UTILISATION NORMALE

La marteau perforateur sans fil convient conçu pour le perçage optimal des matériaux de construction. Avec l'achat d'un adaptateur pour mandrin SDS Plus, cette perceuse est capable de percer le bois et le métal. La machine doit exclusivement être employée conformément à son affectation.

## UTILISATION

### Poignée auxiliaire

- La poignée auxiliaire **(13)** devrait toujours être utilisée.
- La poignée auxiliaire **(13)** peut être orientée à 360° autour de la tête de perforation, permettant ainsi une utilisation sûre et confortable aussi bien pour les droitiers que pour les gauchers.

### Pour régler la poignée auxiliaire :

1. Faites tourner la partie préhensible dans le sens antihoraire afin de relâcher l'ensemble de la poignée.
2. Placez la poignée dans la position voulue.
3. Verrouillez la poignée en position en tournant la partie préhensible dans le sens horaire.

L'angle de la poignée auxiliaire peut être réglé pour s'adapter à la situation.

### Butée de profondeur

1. Faites tourner la partie préhensible dans le sens antihoraire afin de relâcher l'ensemble de la poignée.
2. Placez la butée de profondeur **(18)** dans la position voulue.
3. Verrouillez la poignée en position en tournant la partie préhensible dans le sens horaire.

### Utilisation du mandrin

- Ce marteau perforateur possède un mandrin conçu pour les forets SDS Plus.
- Le système SDS permet d'installer les forets en les poussant simplement.
- Graissez toujours l'emmanchement des forets SDS. Les forets doivent avoir été fraîchement graissés et être exempts de toute poussière avant utilisation.

### Pour insérer un accessoire :

1. Retroussiez le collier de serrage **(15)**,
  2. Insérez l'accessoire SDS Plus **(17)** à fond dans le mandrin **(16)**. Tournez-le quelque peu dans le mandrin afin que les encoches de l'accessoire s'alignent,
  3. Relâchez le collier de serrage du mandrin,
  4. L'accessoire devrait être bien emmanché dans la machine. Vérifiez-le en tirant sur l'accessoire. Si vous parvenez à le retirer de la machine, réinsérez-le en suivant la procédure ci-dessus.
- Pour démonter le foret, tirer vers l'arrière la bague de blocage du porte-outil et enlever le foret.

**AVERTISSEMENT :** La vitesse admissible des accessoires utilisées doit être au moins aussi élevée que la vitesse à vide maximale de l'outil.

### Mode percussion

- La perceuse peut être utilisée en mode perceuse à percussion (pour la maçonnerie) ou en mode perceuse conventionnelle (pour le métal, le bois et les plastiques, etc.) grâce à l'achat d'un adaptateur mandrin standard à SDS Plus.
- Pour sélectionner le mode perceuse à percussion, appuyez sur le dégagement du sélecteur de mode **(2)** sur le sélecteur de mode et alignez le sélecteur de mode avec symbole «**T**».
- Pour sélectionner le mode perceuse, appuyez sur le dégagement du sélecteur de mode **(2)** sur le sélecteur de mode et alignez le sélecteur de mode avec symbole «**2**».
- N'essayez pas de changer le sélecteur de mode de position lorsque la perceuse est en marche.

## INSTRUCTIONS D'UTILISATION

**IMPORTANT :** munissez-vous de tous les équipements de protection et de sécurité avant d'utiliser ce marteau perforateur.

### Gâchette

- Tenez toujours l'appareil fermement et à deux mains.

- Pour démarrer l'appareil, appuyez sur la gâchette **(8)**.
- Pour arrêter l'appareil, relâchez la gâchette.

### Sélection du sens de rotation

- Il est possible de changer la direction du sens de rotation de l'appareil au moyen du bouton d'inversion du sens de rotation **(6)**.
- Pour faire tourner l'appareil dans le sens des aiguilles d'une montre, placez le bouton d'inversion du sens de rotation vers la gauche, sur le symbole «▶».
- Pour faire tourner l'appareil dans le sens contraire des aiguilles d'une montre, placez le bouton d'inversion du sens de rotation vers la droite, sur le symbole «◀».
- N'actionnez pas le bouton d'inversion du sens de rotation pendant que l'appareil tourne.
- N'essayez pas de faire tourner l'appareil tant que le bouton d'inversion du sens de rotation est dans la position intermédiaire.

### Commande de la vitesse

- Modifiez la vitesse de l'appareil en appuyant plus ou moins sur la gâchette **(8)**. Plus la gâchette est appuyée, plus la vitesse est grande.

### Sélection du régime

- Choisissez le régime 1 sur le changement de régime **(3)** pour un couple élevé, les vitesses basses sont généralement utilisées pour des opérations de vissage et de perçage à faible vitesse.
- Choisissez le régime 2 sur le changement de régime pour un couple faible, les vitesses élevées sont utilisées uniquement pour les opérations de perçage à grande vitesse.

**Remarque :** Lisez toujours les documents fournis avec les forets et les accessoires pour connaître leur vitesse recommandée ou maximale et servez-vous du régime le plus approprié. Voir 'Caractéristiques techniques' pour la vitesse à vide maximale pour chaque régime.

### Perçage du béton

- Le mode percussion doit être utilisé. Exercez une pression modérée sur l'arrière de la perceuse, dans l'axe du foret.

- Pour un perçage efficace, il est conseillé d'utiliser des forets TCT (pointe au carbure de tungstène). Assurez-vous que la taille du foret correspond aux caractéristiques maximales de la perceuse (voir, caractéristiques techniques).
- N'exercez pas trop de pression. Si les débris bloquent le trou de perçage, faites marcher la perceuse lentement et enlevez-la du trou. Répétez jusqu'à ce que le trou soit débouché.

### ACCESSOIRES

La vitesse admissible des accessoires utilisées doit être au moins aussi élevée que la vitesse à vide maximale de l'outil.

### NETTOYAGE ET MAINTENANCE

#### Maintenance

Il n'y a aucune autre pièce nécessitant un entretien à l'intérieur de l'appareil.

#### Nettoyage

- Les équipements de protection, les fentes de ventilation et le carter du moteur doivent rester aussi propres que possible, sans poussière ni salissures. Nettoyez l'appareil électrique avec un chiffon propre ou en soufflant de l'air comprimé à faible pression.
- Nous conseillons de nettoyer l'appareil électrique immédiatement après chaque utilisation.
- Nettoyez régulièrement l'appareil électrique avec un chiffon humide et un peu de savon noir.

N'utilisez ni détergents ni solvants ; ceux-ci pourraient attaquer les parties en plastique de l'appareil. Veillez à empêcher la pénétration d'eau à l'intérieur de l'appareil électrique.

**FICHE TECHNIQUE**

Vitesse de rotation . . . . .	0 – 300 min <sup>-1</sup>
. . . . .	0 – 1000 min <sup>-1</sup>
Impacts par minute . . . . .	0 – 5000 min <sup>-1</sup>
Mandrin . . . . .	SDS Plus
Énergie d'impact . . . . .	0,8 J
Dimensions . . . . .	33 × 10 × 19 cm
Poids . . . . .	1,75 kg
Niveau de pression acoustique L <sub>pA</sub> . . . . .	84,28 dB(A)
Incertitude K <sub>pA</sub> . . . . .	3 dB
Niveau de puissance acoustique L <sub>WA</sub> . . . . .	95,28 dB(A)
Incertitude K <sub>WA</sub> . . . . .	3 dB
Niveau des vibrations Poignée principale . . . . .	7,518 m/s <sup>2</sup>
Poignée supplémentaire . . . . .	6,035 m/s <sup>2</sup>
Incertitude K . . . . .	1,5m/s <sup>2</sup>
(Cap. de perçage en maçonnerie) . . . . .	∅ 20 mm
(Cap. de perçage en bois) . . . . .	∅ 20 mm
(Cap. de perçage de métal) . . . . .	∅ 10 mm

**ÉLIMINATION ET RECYCLAGE**

*N'éliminez pas les appareils  
électriques via les ordures  
ménagères.*

L'appareil électrique se trouve dans un emballage afin d'éviter tout dommage pendant le transport. Cet emballage est une matière première et peut donc être réutilisé ultérieurement ou être réintroduit dans le circuit des matières premières.

L'appareil électrique et ses accessoires sont composés de plusieurs matériaux, par exemple des métaux et des matières plastiques. Éliminez les composants défectueux via les systèmes d'élimination des déchets spéciaux. Renseignez-vous dans un magasin spécialisé ou auprès de l'administration de votre commune!

Le produit et le manuel utilisateur peuvent être modifiés. Les caractéristiques techniques peuvent être modifiées sans préavis.

**Batteries**

Lors de l'élimination des batteries, pensez à la protection de l'environnement. Pour une élimination écologique, adressez-vous aux autorités locales.

**CE-DÉCLARATION DE CONFORMITÉ**

Nous, **Batavia B.V., Weth. Wassebaliestraat 6d, NL-7951 SN Staphorst**, déclarons sous notre seule responsabilité que le produit **Perforeur sans fil SDS+, Modèle BT-CRH001, N° d'article 7062511** satisfait les principales exigences de protection définies dans les directives européennes **compatibilité électromagnétique (CEM) 2014/30/EU, 2006/42/CE (machines), 2011/65/EU** ainsi que les modifications y apportées. Pour évaluer la conformité nous avons eu recours aux normes harmonisées ci-dessous :

**EN 60745-1:2009+A11,**  
**EN 60745-2-6:2010,**  
**AfPS GS:2019:01 PAK,**  
**EN 55014-1:2017,**  
**EN 55014-2:2015**

Staphorst, le 7 juin 2021

Meino Seinen, Responsable de qualité  
Batavia B.V., Weth. Wassebaliestraat 6d,  
7951 SN Staphorst, Pays-Bas



## GEACHTE KLANT

Gebruikshandleidingen verstrekken nuttige tips m.b.t. gebruik van uw nieuwe apparaat.

Ze helpen u alle functies te gebruiken, misverstanden te voorkomen en beschadiging te vermijden.

Neem de tijd deze handleiding zorgvuldig te lezen en bewaar het als naslagwerk.

## UITLEG VAN DE SYMBOLEN

De volgende symbolen worden gebruikt in de gebruikershandleiding of op het product:



**WAARSCHUWING** – Lees de gebruiksaanwijzing om het risico op letsel te verminderen.



**Algemene waarschuwing** – Wees alert en let op algemene gevaren.



**Draag altijd gehoorbescherming.** Blootstelling aan lawaai kan leiden tot gehoorbeschadiging.



**Draag een stofmasker.** Bij het bewerken van hout en andere materialen kunnen schadelijk stoffen vrijkomen. Er mogen geen asbesthoudende materialen worden verwerkt!



**Elektrisch gereedschap in beschermingsklasse II.** Dit teken geeft aan dat de machine voldoet aan beveiligingsklasse II. Dit betekent dat de machine is voorzien van verzwaarde of dubbele isolatie tussen het netstroomcircuit en de uitgangsspanning of de metalen behuizing.



**CE staat voor: „Conformité Européenne”.** Dit betekent: „Voldoet aan EU-richtlijnen”. Met de CE-markering bevestigt de fabrikant dat deze machine voldoet aan de geldende Europese richtlijnen.



**De machine mag niet worden afgevoerd met het huishoudelijk afval.**

## VEILIGHEIDSVOORSCHRIFTEN VOOR OPLAADBARE BOOR-/SCHROEFMACHINES

### Algemeen

- De machine/oplader is niet bedoeld voor gebruik door personen (waaronder kinderen) met fysieke, zintuiglijke of mentale beperkingen, of een gebrek aan ervaring en kennis, tenzij zij onder toezicht staan of instructies hebben ontvangen ten aanzien van het gebruik van de machine/oplader door een persoon, die verantwoordelijk is voor hun veiligheid.
- Zorg ervoor dat kinderen de machine/oplader niet als speelgoed gebruiken.
- Zorg ervoor, dat de rotatierichting schakelaar **(6)** in de midden- (blokkeer-) positie staat, vóórdát u de machine instelt of accessoires verwisselt, en ook wanneer u de machine draagt of opbergt.
- Bewerk geen asbesthoudend materiaal (asbest geldt als kankerwerkkend)
- Stof van materiaal zoals loodhoudende verf, sommige houtsoorten, mineralen en metaal kunnen schadelijk zijn (contact met of inademing van de stof kan allergische reacties en/of ademhalingsziekten bij gebruiker of omstanders veroorzaken); draag een stofmasker en werk met een stofopvang-voorziening als die kan worden aangesloten.
- Bepaalde soorten stof zijn geclassificeerd als kankerverwekkend (zoals stof van eiken en beuken), met name in combinatie met toevoegingsmiddelen voor houtverzorging; draag een stofmasker en werk met een stofopvang-voorziening als die kan worden aangesloten.
- Neem voor de door u te bewerken materialen de nationale voorschriften aangaande stofopvang in acht.
- Bij het gebruik van de machine is de volgende veiligheidsuitrusting verplicht: veiligheidsbril, gehoorbescherming en handschoenen. Wanneer het boren stof produceert draagt u een stofmasker. Een minimale waardering van FFP2 is aanbevolen. Wanneer het gebruik van de machine op enige wijze voor ongemak zorgt, stopt u het werk onmiddellijk.



- Opladers zijn enkel geschikt voor binnen gebruik. Zorg ervoor dat de stroombron en oplader te allen tijde beschermd zijn tegen vocht.
- Zorg voor een goede verlichting.
- Zorg ervoor dat boren of bits stevig in de boorhouder vast zitten. Losse bits kunnen losschieten en ongelukken veroorzaken.
- Breng het bit niet in contact met het werkstuk voordat u de machine start.
- Controleer voordat u begint met boren of er genoeg vrije ruimte is onder het werkstuk.
- Boor bits worden tijdens gebruik erg heet. Laat ze na gebruik afkoelen.
- Verwijder zaagsel of vuil dicht bij het boor bit niet met uw handen.
- Controleer de boorhouder regelmatig op tekenen van slijtage en/of schade. Beschadigde onderdelen horen door een gekwalificeerd persoon vervangen te worden.
- Wacht met het neerleggen van de boor totdat deze volledig tot stilstand is gekomen.
- Kernboren horen enkel op boormachines met een veiligheidskoppeling gebruikt te worden. Zo wordt vastlopen, wat persoonlijk letsel kan veroorzaken, voorkomen.
- Wanneer de veiligheidskoppeling tijdens gebruik ingrijpt, laat u de trekker schakelaar los en haalt u de boor uit het werkopervlak. Vindt de oorzaak van ingrijpen.
- Gebruik de machine niet op een trap/ladder of op een locatie met valgevaar. SDS-Plus boormachines zijn erg zwaar en produceren sterke trillingen.
- Draag geschikte beschermende handschoenen zonder loshangende vezels die door het roteren bit gegrepen kunnen worden. Gooi handschoenen met rafelig materiaal onmiddellijk weg.
- Boren brengt mogelijk een grote hoeveelheid stof met zich mee. Draag een geschikt stofmasker met een minimale waarde van FFP2.
- Boormachines produceren hoge geluidsniveaus. Het dragen van geschikte gehoorbescherming is vereist.
- Boormachines produceren hoge trillingsniveaus. Neem regelmatig pauze.
- Gebruik SDS-Plus beitels enkel met boormachines waarop de rotatie boorfunctie uitgeschakeld kan worden.
- Gebruik metaal- en spanningszoekers voor het vinden van verborgen water-, gas- en/of elektrische leidingen. Vermijd het contact met componenten die onder spanning staan.
- Verlengkabels die in combinatie met de boorhamer gebruikt worden horen volledig afgerold te worden. Minimale aderdikte: 1,25 mm<sup>2</sup>.
- Wanneer de boorhamer buiten gebruikt wordt, maakt u gebruik van verlengkabels, ontworpen voor buiten gebruik met waterdichte stekkers en de juiste kabelisolatie.
- Wanneer de boorhamer buiten gebruikt wordt, sluit u deze aan op een stroombron met een aardlekschakelaar.
- Zorg ervoor dat beitel of boor bits stevig in de span kop vast zitten. Losse bits kunnen losschieten en ongelukken veroorzaken.
- Zorg voor een goede verlichting.

## VEILIGHEID VOOR SDS-PLUS BOORMACHINES

**WAARSCHUWING:** Bij de aanwezigheid van asbest, tracht u onmiddellijk professionele hulp. Het verwijderen van asbest dient uitgevoerd te worden door een geautoriseerd persoon. Neem contact op met uw lokale autoriteit voor meer informatie betreft de verwijdering van asbest. De Europese richtlijn 2009/148/EG voorziet informatie betreft de blootstelling aan asbest op de werkplek.

- Het is noodzakelijk alle nationale veiligheidsregels met betrekking tot het uit te voeren werk na te leven.
- Laat personen jonger dan 18 jaar de boorhamer niet gebruiken. Tevens horen alle gebruikers met de gebruik- en veiligheidsinstructies bekend te zijn.
- Het boren in beton en beitelen creëert mogelijk scherpe afvaldeeltjes. Draag de benodigde beschermende uitrusting waaronder een veiligheidsbril en beschermende schoenen.

- Houdt de machine stevig, met beide handen vast.
- Het hulphandvat dient te allen tijd gebruikt te worden.
- Oefen geen druk op de machine uit – dit kan de levensduur van de machine aanzienlijk verkorten.
- Boor bits worden erg heet tijdens gebruik. Laat ze na gebruik afkoelen.
- Wanneer u tijdens het gebruik van de boorhamer gestoord wordt, maakt u het werk af en schakelt u de machine uit voordat u opkijkt.
- Ontkoppel de stekker van het stopcontact voordat bits gewisseld worden.
- Controleer de spankop regelmatig op tekenen van slijtage en/of schade. Beschadigde onderdelen horen door een gekwalificeerd persoon vervangen te worden.
- Wacht met het neerleggen van de boor totdat deze volledig tot stilstand is gekomen.
- Wanneer het werk voltooid is, ontkoppelt u de stekker van het stopcontact en verwijderd u de beitel/bit uit de span kop.
- Controleer bouten, moeren en andere bevestigingsmiddelen regelmatig en draai deze wanneer nodig aan.
- Controleer de machine na gebruik. Het stroomsnoer kan door scherpe betonstukken beschadigen.
- Bevestig de stofkap op het te gebruiken bit om de ingang van stof in de spankop te voorkomen.
- Wanneer het gebruik van de machine oncomfortabel is herziet u de gebruikswijze.

### **TIJDENS GEBRUIK**

- Houd het elektrische gereedschap aan de geïsoleerde greepvlakken **(7)** vast als u werkzaamheden uitvoert waarbij het inzetgereedschap of de schroef verborgen stroomleidingen kan raken (contact met een onder spanning staande leiding kan ook metalen delen van het elektrische gereedschap onder spanning zetten en tot een elektrische schok leiden).

- In geval van elektrische of mechanische storing, de machine onmiddellijk uitschakelen of de oplader uit het stopcontact halen.

### **VOOR HET EERSTE GEBRUIK**

Haal de machine en de accessoires uit de verpakking. Controleer de machine op transportschade en gebruik de machine niet in geval van schade. Houd het verpakkingsmateriaal uit de buurt van kinderen, risico op verstikking!

### **BEOOGD GEBRUIK**

De SDS boorhamer is geschikt voor het boren in beton. Tevens geschikt voor het boren in hout en metaal, met de aankoop van een geschikte spankop met SDS-Plus aansluiting.

De machine mag slechts voor werkzaamheden worden gebruikt waarvoor deze bedoeld is.

### **GEBRUIK**

#### **Zijgreep**

- De zijgreep **(13)** dient te allen tijde gebruikt te worden.
  - De zijgreep **(13)** kan 360° rond de boorkop worden gedraaid voor een veilige en comfortabele bediening door zowel links- als rechtshandige gebruikers.
1. Draai de greep los door deze linksom te draaien.
  2. Draai de handgreep in de gewenste stand.
  3. Draai de handgreep weer vast in de nieuwe stand door deze rechtsom te draaien.

De hoek van het hulphandvat kan versteld worden, passend bij het uit te voeren werk.

#### **Dieptestop**

1. Draai de handgreep los door deze linksom te draaien.
2. Plaats de dieptestop **(18)** in de gewenste positie.
3. Draai de handgreep rechtsom om het handvat en zo de dieptestop te vergrendelen.

#### **De spankop**

De boor is voorzien van een spankop, geschikt voor SDS-Plus boor bits.

Dankzij het SDS-Plus system zijn bits gemakkelijk in de spankop te plaatsen.

Smeer de schacht van het bit licht voor u het bit in de machine plaatst. Bits dienen schoon te zijn wanneer deze met de machine gebruikt worden.

#### Voor het plaatsen van een boor bit:

1. Trek de spankopkraag **(15)** naar achteren.
2. Plaats het bit **(17)** volledig in de spankop **(16)**. Lijn de groeven in het accessoire uit met de spankop.
3. Laat de kraag los.
4. Het bit dient nu in de spankop vergrendelt te zijn. Controleer door het bit uit de spankop te proberen te trekken. Wanneer het bit niet goed vast zit herhaalt u bovenstaande stappen.

Om het bit te verwijderen trekt u de kraag naar achter en neemt u het bit uit de spankop.

**WAARSCHUWING:** Gebruik geen accessoires met een lagere maximale snelheid dan de onbelaste snelheid van de machine.

#### Hamerstand

- De machine kan zowel in de hamerboorstand (voegwerk), als in de gebruikelijke rotatieboorstand (hout, metaal etc.) gebruikt worden, met de aankoop van een standaard SDS-Plus adapter.
- Voor het gebruik van de hamerboorstand drukt u de stand selectieknop ontgrendelknop **(2)** in en lijnt u de stand selectieknop **(1)** met het „T” symbool uit.
- Voor het gebruik van de rotatieboorstand drukt u de stand selectieknop ontgrendelknop **(2)** in en lijnt u de stand selectieknop **(1)** met het „I” symbool uit.
- Probeer de selectieknop tijdens het gebruik van de machine niet te verzetten.

#### GEBRUIKSINSTRUCTIES

**BELANGRIJK:** Tijdens het gebruik van de machine is het dragen van de geschikte beschermende uitrusting aanbevolen.

#### Trekker schakelaar

- Houd de machine te allen tijde stevig met beide handen vast.
- Om de machine te starten knijpt u de trekker schakelaar **(8)** in.

- Om de machine te stoppen laat u de trekker schakelaar los.

#### Rotatierichting selectie

- De rotatierichting van de boor kan versteld worden met de rotatierichting schakelaar **(6)**.
- Om de boor rechtsom te laten draaien plaatst u de schakelaar naar links, in lijn met het bijpassende „▶” symbool.
- Om de boor linksom te laten draaien plaatst u de schakelaar naar rechts, in lijn met het bijpassende „◀” symbool.
- Probeer de schakelaar tijdens het gebruik van de machine niet te verzetten.
- Probeer de machine niet in te schakelen wanneer de schakelaar tussen de twee standen in staat.

#### Snelheidscontrole

De snelheid van de machine wordt bepaald met de trekker schakelaar **(8)**. Knijp de schakelaar verder in om de snelheid te verhogen.

#### Versnellingsselectie

- Selecteer versnelling 1 voor lage snelheden met hoge koppel, geschikt voor langzaam boren en het in- en uitdraaien van schroeven.
- Selecteer versnelling 2 voor hoge snelheden met lage koppel, enkel geschikt voor boren op hoge snelheid.

**Let op:** Lees de documentatie van gebruikte accessoires door voor het verkrijgen van de aanbevolen of maximale snelheidsinstellingen en de meest geschikte versnelling. Verwijs naar de specificaties voor de maximale onbelaste snelheid voor elke versnelling.

#### Het boren in beton

- Gebruik de machine in de hamerstand en oefen druk op de achterzijde van de machine uit, in lijn met de boor.
- Voor efficiënt boren maakt u gebruik van TCT boor bits. Zorg ervoor dat de boor bit maat binnen de maximale capaciteit van de machine valt (Zie: 'Technische gegevens')
- Oefen niet te veel druk op de machine uit wanneer het zaagsel het boorgat blokkeert. Schakel de machine in en beweeg de boor in en uit het gat tot de blokkering verholpen is.

## ACCESSOIRES

Gebruik alleen accessoires met een toerental, dat minstens even hoog is als het hoogste onbelaste toerental van de machine.

## REINIGING EN ONDERHOUD

### Reiniging

- Houd veiligheidsvoorzieningen, ventilatieopeningen en de behuizing van de motor zo goed mogelijk vrij van stof en vuil. Veeg de machine af met een schone doek of blaas hem uit met perslucht onder lage druk.
- Wij bevelen aan om de machine direct na ieder gebruik te reinigen.
- Reinig de machine regelmatig met een vochtige doek en een beetje zachte zeep. Gebruik geen reinigings- of oplosmiddelen; die kunnen de kunststof delen van de machine aantasten. Let erop dat er geen water in het binnenste van de machine kan komen.

### Onderhoud

In het binnenwerk van de machine bevinden zich geen te onderhouden onderdelen.

## TECHNISCHE GEGEVENS:

Onbelast toerental . . . . .	0 – 300 / 0 – 1000 min <sup>-1</sup>
Slagen per minuut . . . . .	0 – 5000 min <sup>-1</sup>
Boorkop . . . . .	SDS Plus
Slag energie . . . . .	0,8 J
Afmetingen . . . . .	33 × 10 × 19 cm
Gewicht . . . . .	1,75 kg
Geluidsdrukniveau L <sub>PA</sub> . . . . .	84,28 dB(A)
Onzekerheid K <sub>PA</sub> . . . . .	3 dB
Geluidsvermogeniveau L <sub>WA</sub> . . . . .	95,28 dB(A)
Onzekerheid K <sub>WA</sub> . . . . .	3 dB
Hand Arm Vibratie	
Hoofdhandgreep . . . . .	7,518 m/s <sup>2</sup>
Extra handgreep . . . . .	6,035 m/s <sup>2</sup>
Onzekerheid K . . . . .	1,5m/s <sup>2</sup>
Boor cap. Metselwerk . . . . .	Ø 20 mm
Boor cap. Hout . . . . .	Ø 20 mm
Boor cap. Metaal . . . . .	Ø 10 mm

## AFVALVERWERKING EN HERGEBRUIK



*De machine mag niet worden afgevoerd met het huishoudelijk afval.*

De machine bevindt zich in een verpakking om transportschade te vermijden. Deze verpakking is grondstof en is dus herbruikbaar of kan weer in de grondstoffenkringloop teruggevoerd worden. De machine en zijn accessoires bestaan uit verschillende materialen, zoals bijv. metaal en kunststoffen. Voer defecte onderdelen af als gevaarlijke stoffen. Vraag bij de vakhandel of op het gemeentehuis om meer informatie!

Het product en de gebruiksaanwijzing kunnen wijzigen. De technische gegevens kunnen zonder voorafgaande aankondiging worden gewijzigd.

### Batterijen

Denk bij het afvoeren van batterijen aan de bescherming van het milieu. Neem voor milieuvriendelijke afvoer contact op met de lokale overheid.

## EG-CONFORMITEITSVERKLARING

Hiermee verklaren wij, **Batavia B.V., Weth. Wassebaliestraat 6d, NL-7951 SN Staphorst**, dat het apparaat **Accu boorhamer SDS+, Model BT-CRH001, Artikel Nr. 7062511** op grond van zijn ontwerp en bouwwijze en in de door ons in omloop gebrachte uitvoering voldoet aan de desbetreffend van toepassing zijnde fundamentele veiligheids- en gezondheidsvereisten van de EG-richtlijnen: **2014/30/EU (Elektromagnetische compatibiliteit), 2006/42/EG (Machines), 2011/65/EU**. Voor de evaluatie van de conformiteit zijn de volgende geharmoniseerde normen toegepast: **EN 60745-1:2009+A11, EN 60745-2-6:2010, AfPS GS:2019:01 PAK, EN 55014-1:2017, EN 55014-2:2015**

Staphorst, 7 juni 2021

Technische documentatie bewaard door:

Meino Seinen, Batavia B.V.,  
Weth. Wassebaliestraat 6d,  
7951 SN Staphorst, Nederland

## GENTILE CLIENTE

I manuali d'uso offrono validi suggerimenti per l'utilizzo del vostro nuovo dispositivo. Vi consentono di utilizzare tutte le funzioni, e vi aiutano a evitare malintesi e a prevenire i danni. La invitiamo a dedicare del tempo alla lettura attenta di questo manuale e a conservarlo per futura consultazione.

## SPIEGAZIONE DEI SIMBOLI



*Avviso! Per ridurre il rischio di lesioni, l'utente deve leggere le istruzioni del presente manuale.*



*Indica rischio di lesioni personali, morte o danni all'apparecchio in caso di mancato rispetto delle istruzioni contenute nel presente manuale.*



*Indossare sempre un dispositivo di protezione acustica. Gli effetti del rumore possono causare la perdita dell'udito.*



*Indossare occhiali di sicurezza. Quando si lavora con utensili elettrici, possono essere generati scintille, schegge, trucioli e particelle di polvere che possono causare la perdita della vista.*



*Utensile elettrico, classe di protezione II. Questo simbolo indica che la presente unità appartiene alla categoria di Classe di protezione II. Questo vuol dire che l'unità è dotata di un sistema di isolamento rinforzato o doppio tra il circuito elettrico e la tensione di uscita o l'alloggiamento metallico rispettivamente.*



*CE è l'abbreviazione di Conformità Europea e ha il significato di "Ai sensi dei regolamenti dell'Unione Europea". Attraverso la marcatura CE, il produttore attesta che il presente utensile elettrico è conforme alle direttive europee vigenti.*



*Non smaltire gli utensili elettrici con i normali rifiuti domestici.*

## ISTRUZIONI DI SICUREZZA PER L'USO DI TRAPANI/AVVITATORI SENZA FILI

### Informazioni generali

- L'utensile/Il caricabatterie non può essere utilizzato da persone (o bambini) con ridotte capacità fisiche, mentali o sensoriali, o che non abbiano adeguata esperienza o conoscenza, a meno che non siano supervisionati o istruiti in merito all'utilizzo dell'utensile/caricabatterie da un responsabile della loro sicurezza.
- Assicurarsi che i bambini non giochino con l'utensile/caricabatterie.
- Assicurarsi che il selettore Avanti/Indietro **(6)** sia in posizione centrale (blocco) prima di fare regolazioni o modifiche agli accessori, o anche prima di trasportare o conservare l'utensile.
- Non lavorare con materiali contenenti amianto (l'amianto è un materiale cancerogeno)
- La polvere di alcuni materiali, quali vernici contenenti piombo, alcuni tipi di legname, minerali e metalli possono essere dannosi (il contatto con la polvere o la sua inalazione può causare reazioni allergiche e/o disturbi respiratori agli operatori o agli astanti); indossare una maschera antipolvere e lavorare con un dispositivo di estrazione della polvere se collegabile.
- Alcuni tipi di polveri sono considerati cancerogeni (ad esempio la polvere di quercia e faggio), soprattutto in combinazione con alcuni additivi utilizzati nella lavorazione del legname; indossare una maschera antipolvere e lavorare con un dispositivo di estrazione della polvere se collegabile.
- Rispettare i requisiti delle norme nazionali relativi alle polveri per la lavorazione di tali materiali.
- Durante l'uso del trapano, indossare dispositivi di sicurezza adeguati, quali occhiali e maschere di sicurezza, protezioni acustiche, indumenti e guanti di protezione. Indossare protezioni delle vie respiratorie adatte alle attività intraprese. Si consiglia l'uso di dispositivi con un livello di protezione minimo FFP2. Se l'utilizzo degli utensili causa disagi di qualunque tipo, fermarsi

immediatamente e rivedere il proprio metodo di utilizzo.

- I caricabatterie sono destinati solo all'uso per interni. Verificare che il caricabatterie e l'alimentatore siano sempre protetti dall'umidità.
- Garantire una luminosità adeguata.
- Verificare che la punta del trapano sia accuratamente fissata. Le punte del trapano non adeguatamente fissate possono essere espulse dal dispositivo causando il rischio di lesioni.
- Assicurarsi che la punta del trapano non sia a contatto con l'oggetto lavorato prima di avviare l'utensile.
- Prima di avviare il trapano, assicurarsi che ci sia spazio sufficiente per la punta nella parte inferiore dell'oggetto lavorato.
- Poiché le punte del trapano tendono a riscaldarsi durante l'utilizzo, lasciarle raffreddare prima di maneggiarle.
- NON rimuovere MAI con le mani segatura, trucioli o altri materiali di scarto in prossimità della punta del trapano.
- Esaminare regolarmente il mandrino del trapano per controllare la presenza di segni di usura o danni. Far riparare i pezzi danneggiati solo da centri di assistenza qualificati.
- Attendere SEMPRE che il trapano sia completamente fermo prima di abbassarlo.

### ULTERIORI ISTRUZIONI PER LA SICUREZZA DEI TRAPANI SDS PLUS

**AVVERTENZA:** Se si sospetta o si scopre la presenza di amianto in qualsiasi area in cui si sta lavorando, consultare immediatamente un esperto. La rimozione dell'amianto deve essere eseguita da un appaltatore autorizzato. Per ulteriori informazioni su come trattare l'amianto, contattare l'HSE nel Regno Unito ([www.hse.gov.uk](http://www.hse.gov.uk)) o l'autorità nazionale competente per la salute e la sicurezza nel proprio paese. La Direttiva europea 2009/148/CE fornisce ulteriori informazioni relative all'esposizione all'amianto sul lavoro.

- È fondamentale seguire tutte le norme di sicurezza nazionali applicabili al tipo di lavoro che si sta svolgendo.

- Non lasciare che persone di età inferiore ai 18 anni utilizzino l'utensile e assicurarsi che gli operatori siano qualificati e abbiano preso visione delle istruzioni per l'uso e la sicurezza.
- La perforazione o la scalpellatura della muratura possono generare particelle taglienti che possono colpire l'operatore. Indossare occhiali di sicurezza resistenti agli urti e indumenti protettivi, compresi stivali di sicurezza.
- Le punte di carotaggio devono essere usate solo con trapani SDS dotati di frizione di sicurezza, in modo da evitare l'inzeppamento che potrebbe causare lesioni all'operatore.
- Se la frizione di sicurezza si attiva durante l'uso, rilasciare rapidamente il grilletto e rimuovere dalla superficie in muratura la punta di carotaggio, o ogni altro accessorio di perforazione. Non continuare il lavoro finché non si è compresa la causa dell'azionamento della frizione di sicurezza.
- Non utilizzare i trapani SDS quando ci si trova su una scala o in qualsiasi luogo che presenti il rischio di caduta. I trapani SDS sono pesanti e producono forti vibrazioni e coppie elevate durante l'uso.
- Indossare guanti protettivi antivibrazione adatti in tessuto non tessuto o in tessuto rivestito, per evitare che fili di materiale si impiglino nella punta del trapano in rotazione. Gettare immediatamente i guanti se il materiale è visibilmente sfilacciato.
- La perforazione può produrre grandi volumi di polvere e detriti che possono essere tossici. Indossare protezioni delle vie respiratorie adatte alle attività intraprese. Si consiglia l'uso di dispositivi con un livello di protezione minimo FFP2.
- I trapani SDS producono un rumore elevato e devono essere sempre indossate protezioni acustiche adeguate durante l'uso dell'utensile.
- I trapani SDS producono vibrazioni molto alte quando vengono utilizzati in modalità martello o scalpello. Si consiglia di fare pause frequenti.

- Usare solo scalpelli o punte SDS con trapani SDS nei quali è possibile disattivare la modalità di perforazione a rotazione.
- Usare metal detector e rilevatori di tensione per localizzare le linee elettriche, dell'acqua o del gas nascoste. Evitare di toccare componenti o conduttori sotto tensione.
- Le bobine di prolunga usate con questo utensile devono essere completamente srotolate. Sezione minima del conduttore: 1,25 mm<sup>2</sup>.
- Le bobine di prolunga usate all'esterno devono essere progettate appositamente per l'uso all'aperto e devono essere dotate di prese protette dall'acqua e di un corretto isolamento dei cavi.
- Quando si utilizza un trapano SDS all'aperto, è necessario usare un dispositivo RCD; per fare ciò, collegare l'utensile a una presa con RCD integrato o utilizzare un RCD in linea.
- Verificare che la punta del trapano o dello scalpello sia fissata saldamente nel mandrino. Le punte del trapano non adeguatamente fissate possono essere espulse dal dispositivo causando il rischio di lesioni.
- Assicurarvi che vi sia un'illuminazione adeguata.
- Utilizzare l'utensile con entrambe le mani.
- Utilizzare sempre l'impugnatura supplementare fornita in dotazione con l'utensile.
- Non esercitare pressione sull'utensile, in quanto ciò potrebbe ridurne la vita utile.
- Le punte del trapano diventano calde durante l'uso. Lasciarle raffreddare prima di maneggiarle.
- In caso di interruzione per qualunque motivo durante l'uso del trapano, completare il processo e spegnere l'apparecchio prima di distogliere l'attenzione.
- Scollegare sempre il trapano SDS dall'alimentazione prima di sostituire la punta dello scalpello o del trapano.
- Esaminare regolarmente il mandrino del trapano per controllare la presenza di segni di usura o danni. Far riparare i pezzi

danneggiati solo da centri di assistenza qualificati.

- Lasciare sempre che il trapano si arresti completamente prima di riparlo.
- Una volta completato il lavoro, scollegare l'utensile dall'alimentazione e rimuovere la punta dello scalpello/del trapano dall'apparecchio.
- Ispezionare periodicamente tutti i dadi, i bulloni e gli altri elementi di fissaggio e stringerli, se necessario.
- Controllare visivamente l'utensile dopo l'uso, specialmente il cavo di alimentazione, per verificare che non si sia danneggiato a causa del contatto con muratura tagliente.
- Montare sempre la protezione antipolvere sulla punta in uso, per evitare che i detriti penetrino nel mandrino dell' SDS.
- Se l'utilizzo degli utensili causa disagi di qualunque tipo, fermarsi immediatamente e rivedere il proprio metodo di utilizzo.

#### **DURANTE L'USO**

- Tenere l'utensile elettrico solo facendo presa su una superficie isolata **(7)** nei casi in cui l'accessorio di taglio o il dispositivo di fissaggio possono venire a contatto con cavi nascosti (gli accessori di taglio e i dispositivi di fissaggio a contatto con cavi in cui passa corrente potrebbero caricare le parti di metallo esposte dell'utensile elettrico, trasmettendo scosse all'operatore)
- In caso di malfunzionamenti elettrici o meccanici, spegnere immediatamente l'utensile o scollegarlo dall'alimentazione elettrica.

#### **OPERAZIONI PRELIMINARI AL PRIMO USO DEL PRODOTTO**

Rimuovere il dispositivo e gli accessori dalla confezione. Controllare la presenza di eventuali danni al dispositivo durante il trasporto e non usarlo se è danneggiato. Tenere i materiali di imballaggio del prodotto lontano dalla portata dei bambini, perché possono essere causa di soffocamento.

#### **DESTINAZIONE D'USO**

Il trapano SDS Plus è pensato per eseguire lavori di perforazione su muratura. Può inoltre



essere utilizzato per perforare legno e metallo acquistando come accessorio opzionale un mandrino standard con connettore SDS Plus. L'apparecchio deve essere usato solo per gli scopi indicati.

## USO

### Impugnatura supplementare

- Utilizzare sempre l'impugnatura supplementare **(13)** durante i lavori di perforazione.
- L'impugnatura ausiliaria **(13)** può essere ruotata di 360° intorno alla testa del trapano, consentendo un funzionamento sicuro e pratico sia per i mancini sia per i destrorsi.

### Regolazione dell'impugnatura supplementare:

1. Ruotare l'impugnatura in senso antiorario. In questo modo è possibile allentare il gruppo dell'impugnatura.
2. Portare l'impugnatura laterale nella posizione desiderata.
3. Fissarla in posizione ruotandola in senso orario.

### Arresto di fine corsa

1. Ruotare l'impugnatura in senso antiorario. In questo modo è possibile allentare il gruppo dell'impugnatura.
2. Portare l'arresto di fine corsa **(18)** nella posizione desiderata.
3. Fissarla in posizione ruotandola in senso orario.

### Uso del mandrino

- Questo martello perforatore è dotato di un mandrino progettato appositamente per le punte SDS Plus.
- Il sistema SDS Plus permette di inserire le punte con una semplice azione di spinta.
- Ingrassare sempre la parte posteriore delle punte SDS. Le punte devono essere ingrassate e prive di sporco e polvere prima dell'uso.

### Inserimento di una punta per trapano

1. Tirare indietro il collare del mandrino **(15)** e tenerlo tirato.

2. Inserire completamente la punta per trapano SDS Plus **(17)** nel mandrino **(16)**. Compiere un movimento circolare per allineare le scanalature dell'accessorio.
  3. Rilasciare il collare del mandrino.
  4. A questo punto, la punta deve essere bloccata in posizione nell'apparecchio. Verificare tirando la punta; se la punta non è fissata ed è possibile rimuoverla, ripetere la procedura fino a quando sarà ben stabile in posizione.
- Per rimuovere la punta dal mandrino, tirare indietro il collare del mandrino ed estrarre con decisione la punta del trapano.

**AVVERTENZA:** Non montare nessun accessorio la cui velocità massima sia inferiore alla velocità a vuoto dell'avvitatore.

### Sceita della modalità di funzionamento del martello

- Il martello perforatore può essere utilizzato in modalità trapano (per lavori su muratura) o in modalità martello perforatore convenzionale (per lavori su legno, metallo, plastica, ecc.) acquistando come accessorio opzionale un adattatore per mandrino da standard a SDS Plus.
- Per selezionare la modalità trapano, premere il pulsante di sblocco **(2)** del selettore di modalità **(1)** e allineare il selettore di modalità con il simbolo "T".
- Per selezionare la modalità martello perforatore, premere il pulsante di sblocco del selettore di modalità e allineare il selettore di modalità con il simbolo "M".
- Non spostare il selettore di modalità mentre il martello perforatore è in funzione.

## ISTRUZIONI DI FUNZIONAMENTO

**IMPORTANTE:** indossare sempre dispositivi di protezione adeguati prima di utilizzare il martello.

### Grilletto

- Afferrare sempre saldamente il martello perforatore con entrambe le mani.
- Azionare il martello perforatore premendo il grilletto **(8)**.
- Arrestare il martello perforatore rilasciando il grilletto.



### Selezionare la direzione di rotazione avanti o indietro.

- La direzione di perforazione può essere regolata utilizzando il selettore avanti/indietro **(6)**.
- Per eseguire una perforazione in senso orario, spingere il selettore avanti/indietro verso sinistra, in corrispondenza del simbolo "▶".
- Per eseguire una perforazione in senso antiorario, spingere il selettore avanti/indietro verso destra, in corrispondenza del simbolo "◀".
- Non spostare il selettore avanti/indietro mentre il martello perforatore è in funzione.
- Non provare a mettere in funzione il martello perforatore con il selettore avanti/indietro in posizione centrale.

### Controllo della velocità

- La velocità del martello perforatore può essere controllata regolando la pressione sul grilletto **(8)**. Quanto più viene premuto il grilletto, tanto più elevata sarà la velocità del trapano.

### Selezione delle marce

- Selezionare la marcia 1 sul selettore delle marce **(3)** per impostare il funzionamento a bassa velocità e coppia alta. Adatto per la perforazione a bassa velocità e l'avvitamento di viti e dispositivi di fissaggio.
- Selezionare la marcia 2 sul selettore delle marce per impostare il funzionamento ad velocità e coppia bassa. Adatto solo per la perforazione ad alta velocità.

**Nota:** Leggere sempre la documentazione fornita con le punte e gli accessori per l'impostazione della velocità raccomandata o della velocità massima e usare la marcia più appropriata. Vedere i "Dati tecnici" per la velocità massima a vuoto corrispondente a ciascuna marcia.

### Perforazione del cemento

- Se si utilizza la modalità trapano, applicare pressione sulla parte posteriore del martello perforatore, in linea con la punta.
- Per una perforazione efficiente, si consiglia di utilizzare punte TCT (in carburo di tungsteno). Assicurarsi che la dimensione della punta sia compatibile con la capacità

massima del martello perforatore (vedere i "Dati tecnici").

- Non esercitare una pressione eccessiva se sono presenti dei detriti che bloccano il foro di perforazione. Azionare il martello perforatore a bassa velocità ed estrarre la punta dal foro. Ripetere questa procedura fino a liberare completamente il foro.

### ACCESSORI

Utilizzare solo accessori con velocità compatibile, pari almeno alla velocità massima dell'utensile in assenza di carico.

### MANUTENZIONE E PULIZIA

**AVVERTENZA:** scollegare sempre il dispositivo dall'alimentazione elettrica prima di procedere a operazioni di pulizia/manutenzione del carica-batterie. Rimuovere la batteria prima di procedere a operazioni di pulizia/manutenzione dell'utensile.

#### Manutenzione

Non sono presenti parti interne dell'utensile che richiedono manutenzione.

#### Pulizia

- Tenere i dispositivi di sicurezza, aperture di ventilazione e la carcassa del motore il più possibile liberi da sporco e polvere. Strofinare l'utensile elettrico con un panno pulito o soffiare su di esso con aria compressa a bassa pressione.
- Si consiglia di pulire l'utensile elettrico immediatamente dopo l'uso.
- Pulire l'utensile elettrico regolarmente con un panno umido e un sapone delicato.

Non utilizzare materiali di pulizia o solventi, questi possono attaccare i componenti in plastica del dispositivo. Assicurarsi che l'acqua non possa entrare all'interno dell'utensile elettrico.

### DATI TECNICI

Velocità . . . . .	0 - 300 min <sup>-1</sup>
. . . . .	0 - 1000 min <sup>-1</sup>
Percussioni al minuto . . . . .	0 - 5000 min <sup>-1</sup>
Mandrino . . . . .	SDS Plus
Energia d'impatto . . . . .	0,8 J
Dimensioni . . . . .	33 x 10 x 19 cm
Peso . . . . .	1,75 kg

Livello di pressione sonora $L_{pA}$ . . .	84,28 dB(A)
Incertezza $K_{pA}$ . . . . .	3 dB
Livello di potenza sonora $L_{WA}$ . . . . .	95,28 dB(A)
Incertezza $K_{WA}$ . . . . .	3 dB
Vibrazione mano - braccio	
Impugnatura principale . . . . .	7,518 m/s <sup>2</sup>
Impugnatura supplementare . . . . .	6,035 m/s <sup>2</sup>
Incertezza $K$ . . . . .	1,5 m/s <sup>2</sup>
Capacità di perforazione. Muratura . . .	Ø 20 mm
Capacità di perforazione. Legno . . . . .	Ø 20 mm
Capacità di perforazione. Acciaio . . . . .	Ø 10 mm

## SMALTIMENTO



*Non smaltire gli utensili elettrici con i normali rifiuti domestici.*

L'utensile elettrico viene spedito in una confezione per ridurre i danni dovuti al trasporto. Questo imballaggio è una materia prima e come tale può o essere riutilizzata o può essere reimmessa nel ciclo delle materie prime. L'utensile elettrico e i relativi accessori sono realizzati in vari materiali come metalli e plastiche. Portare i componenti difettosi a un punto di raccolta dei rifiuti. Chiedete informazioni su questi punti di raccolta al vostro negozio specializzato o Comune. Il prodotto e il manuale utente possono essere soggetti a modifiche. I dati tecnici possono essere modificati senza preavviso.

### Batterie

Smaltire le batterie rispettando le norme di protezione ambientale. Contattare le autorità locali per sapere dove si trova il centro di smaltimento batterie più vicino.

Non smaltire le batterie con i rifiuti domestici. Non smaltire le batterie bruciandole, altrimenti potrebbero esplodere.

## DICHIARAZIONE DI CONFORMITÀ CE

Noi sottoscritti **Batavia B.V., Weth. Wassebaliestraat 6d, NL-7951 SN Staphorst** dichiara, sotto la sua piena responsabilità, che il **Trapano a percussione a batteria SDS+, modello BT-CRH001, numero articolo 7062511** soddisfa i requisiti essenziali definiti nella Direttiva europea sulla Compatibilità Elettromagnetica **2014/30/UE** (CEM), la Direttiva **2006/42/CE** (Direttiva Macchine), la Direttiva **2011/65/UE** (RoHS) e relativi emendamenti. Per la valutazione di conformità, sono stati consultati i seguenti standard armonizzati europei:

**EN 60745-1:2009+A11,**  
**EN 60745-2-6:2010,**  
**AfPS GS:2019:01 PAK,**  
**EN 55014-1:2017,**  
**EN 55014-2:2015**

Staphorst, 7 giugno 2021

Meino Seinen, Rappresentante QA  
 Batavia B.V., Weth. Wassebaliestraat 6d,  
 7951 SN Staphorst, Paesi Bassi

**ESTIMADO CLIENTE:**

Los manuales de instrucciones proporcionan valiosos consejos para usar su nuevo dispositivo. Le permiten usar todas las funciones y le ayudan a evitar malentendidos y daños. Por razones de seguridad, lea detenidamente este manual y consérvelo para consultas posteriores.

**EXPLICACIÓN DE LOS SÍMBOLOS**

*¡Advertencia! Lea el manual de instrucciones para reducir el riesgo de lesiones personales.*



*Indica el riesgo de lesiones personales, muerte o daño de la herramienta en caso de no observar las instrucciones recogidas en este manual.*



*Siempre utilice protectores auditivos. La exposición al ruido puede causar pérdida de la audición.*



*Utilice gafas de seguridad. Al trabajar con herramientas eléctricas, se pueden generar chispas, astillas y partículas de polvo que pueden causar la pérdida de la visión.*



*Herramienta eléctrica con protección de Clase II. Este símbolo indica que la unidad cuenta con un grado de protección de Clase II. Esto significa que la unidad está equipada con un aislamiento reforzado, con un aislamiento doble entre el circuito de la red eléctrica y la tensión de salida o con una carcasa de metal respectivamente.*



*El marcado CE (siglas de Conformidad Europea) es indicativo de que se cumple con las normativas de la UE. Con el marcado CE, el fabricante confirma que esta herramienta eléctrica cumple con las directivas europeas aplicables.*



*No deseche las herramientas eléctricas junto a los residuos domésticos.*

**INSTRUCCIONES DE SEGURIDAD RELATIVAS A LOS DESTORNILLADORES ELÉCTRICOS/TALADROS INALÁMBRICOS****Aspectos generales**

- La herramienta y el cargador no han sido diseñados para su uso por parte de personas (incluyendo niños) con capacidades físicas, sensoriales o mentales reducidas o que carezcan de la experiencia y/o conocimientos necesarios, a menos que cuenten con la debida supervisión o hayan recibido las instrucciones sobre cómo usar la herramienta de la persona responsable de su seguridad.
- Asegúrese de que los niños no jueguen con la herramienta ni el cargador.
- Asegúrese de que el interruptor de avance/retroceso (6) esté en la posición media (de bloqueo) antes de realizar cualquier ajuste o cambiar los accesorios, así como durante el transporte o el almacenamiento de la herramienta.
- No utilice la herramienta sobre materiales que contengan asbesto (material considerado cancerígeno)
- El polvo proveniente de ciertos materiales, por ejemplo, pinturas con plomo, algunos tipos de madera y los metales, puede ser dañino (al entrar en contacto o al inhalarse puede causar reacciones alérgicas y/o enfermedades respiratorias tanto al operador como a los transeúntes). Así pues, use una mascarilla antipolvo y trabaje con un dispositivo de aspiración de polvo que se pueda conectar.
- Ciertos tipos de polvo se consideran cancerígenos (como el polvo proveniente del roble y de la haya), especialmente en combinación con aditivos para el acondicionamiento de la madera. Así pues, utilice una mascarilla antipolvo y trabaje con un dispositivo de aspiración de polvo que se pueda conectar.
- Cumpla con los requisitos nacionales relativos al polvo en suspensión de los materiales con los que va a trabajar.
- Al usar el taladro, utilice un equipo de protección individual que incluya gafas o protector facial; protectores auditivos, y ropa de protección, incluidos unos guantes de

seguridad. Utilice protección respiratoria adecuada en función de cada trabajo. Como mínimo, se recomienda un nivel de protección FFP2. Si al usar la herramienta siente cualquier molestia, deje de usarla de inmediato y evalúe el método de utilización.

- Los cargadores de baterías solo deben usarse en interiores. Asegúrese de que la fuente de alimentación y el cargador estén protegidos contra la humedad en todo momento.
- Asegúrese de trabajar con una iluminación adecuada.
- Asegúrese de que la broca esté bien asegurada en el portabrocas. Una broca mal asegurada puede salir eyectada de la herramienta, lo que supone un peligro.
- Asegúrese de que la broca no está en contacto con la pieza de trabajo antes de poner en marcha la herramienta.
- Antes de perforar, compruebe que haya espacio libre suficiente para la broca debajo de la pieza de trabajo.
- Las brocas se calientan durante la operación, así pues, permita que se enfríen antes de tocarlas.
- NUNCA utilice sus manos para quitar el serrín, virutas ni cualquier otro residuo cerca de la broca.
- Examine el portabrocas con regularidad para detectar cualquier desgaste o daño. Encargue la reparación de las piezas dañadas a un centro de reparación autorizado.
- SIEMPRE espere hasta que el destornillador eléctrico se haya detenido por completo antes de dejarlo sobre cualquier superficie.

### SEGURIDAD ADICIONAL CONCERNIENTE A LOS TALADROS SDS PLUS

**ADVERTENCIA:** Si sospecha o descubre la presencia de asbesto en el área de trabajo, consulte inmediatamente con un profesional. La eliminación del asbesto debe llevarla a cabo un contratista autorizado. Póngase en contacto con la Junta de Salud y Seguridad —HSE— del Reino Unido ([www.hse.gov.uk](http://www.hse.gov.uk)) o con la autoridad en materia de salud y seguridad de su país para obtener información adicional sobre cómo se debe proceder en caso de presencia de asbesto.

La Directiva 2009/148/CE proporciona información adicional sobre la protección de los trabajadores contra los riesgos relacionados con la exposición al amianto durante el trabajo.

- Es imprescindible seguir todas las reglamentaciones nacionales en materia de seguridad relativas al tipo de trabajo que se realiza.
- No permita que ninguna persona menor de 18 años use esta herramienta y asegúrese de que los usuarios cuenten con la debida cualificación y estén familiarizados con las instrucciones relacionadas con el uso y la seguridad.
- Durante la perforación o el cincelado de mampostería, se generan partículas afiliadas que pueden impactar contra el usuario. Utilice gafas de seguridad resistentes a los impactos y ropa de protección, incluyendo zapatos de seguridad.
- Las brocas huecas solo deben usarse con taladros SDS con embrague de seguridad, de manera de evitar atascamientos que puedan ocasionar lesiones al usuario.
- Si el embrague de seguridad se acciona durante el uso, suelte rápidamente el interruptor de gatillo y retire la broca hueca o broca de la superficie de mampostería. Cese el trabajo hasta determinar la causa del accionamiento del embrague de seguridad.
- En el caso de existir un riesgo de caída, no utilice los taladros SDS mientras esté subido en una escalera o en cualquier otro lugar. Los taladros SDS son pesados y producen una fuerte vibración y un gran par de torsión durante su uso.
- Utilice guantes protectores antivibración adecuados que no sean de tela ni estén recubiertos de tela para evitar hebras sueltas de dicho material que se puedan enganchar en la broca mientras gira. Descarte inmediatamente los guantes si observa material deshilachado.
- Durante la perforación, se puede generar una gran cantidad de polvo y residuos que pueden ser tóxicos. Utilice protección respiratoria adecuada en función de cada

trabajo. Como mínimo, se recomienda un nivel de protección FFP2.

- Los taladros SDS generan ruido intenso, por lo que se debe usar una protección auditiva en todo momento mientras se usa la herramienta.
- Los taladros SDS producen una fuerte vibración cuando funcionan en modo de martillo o de cincel. Se recomienda hacer descansos frecuentes.
- Los cinceles y puntas SDS solo pueden usarse con taladros giratorios en los que se pueda desactivar el modo de perforación giratoria.
- Utilice detectores de metal y voltaje para localizar posibles líneas eléctricas, de agua o de gas ocultas. Evite tocar los componentes o conductores con carga eléctrica.
- Los carretes alargadores usados con esta herramienta deben estar completamente desenrollados. Sección transversal mínima del conductor: 1,25 mm<sup>2</sup>.
- Los carretes alargadores usados al aire libre deben haber sido diseñados para su uso en exteriores y deben contar con enchufes a prueba de agua y un cable con el aislamiento adecuado.
- Al usar un taladro SDS al aire libre, debe usarse un interruptor diferencial (DDR) ya sea conectando la herramienta a una toma con DDR integrado o usando un DDR desmontable (cable de conexión con diferencial para usarlo entre la toma y el dispositivo).
- Asegúrese de fijar bien el cincel o la broca en el portabrocas antes de poner en funcionamiento la herramienta. Una broca mal asegurada puede salir eyectada de la herramienta, lo que supone un peligro.
- Garantice una iluminación adecuada en el área de trabajo.
- Utilice ambas manos al usar la herramienta.
- Siempre utilice la agarradera auxiliar suministrada con la herramienta.
- No ejerza presión sobre la herramienta; de lo contrario, su vida útil se verá reducida.
- Las brocas pueden calentarse durante el uso de la herramienta. Permita que se enfríen antes de manipularlas.
- En el caso de interrumpir el uso del taladro para atender cualquier otro asunto, complete el proceso y apague la herramienta.
- Siempre desconecte la alimentación del taladro antes de cambiar una broca o un cincel.
- Examine el portabrocas con regularidad para detectar cualquier desgaste o daño. Encargue la reparación de las piezas dañadas a un centro de reparación autorizado.
- Siempre espere hasta que el taladro se haya detenido por completo antes de posarlo sobre cualquier superficie.
- Una vez finalizado el trabajo, desconecte la herramienta de la fuente de alimentación y retire el cincel o la broca.
- Revise periódicamente todas las tuercas, pernos y otras sujeciones, apretando cuando sea necesario.
- Tras usarla, realice una inspección de la herramienta, especialmente el cable de alimentación, para descartar posibles daños debidos a una mampostería afilada.
- Siempre coloque el protector contra el polvo a la altura de la broca en uso para evitar cualquier daño debido a la introducción de residuos en el portabrocas SDS.
- Si al usar la herramienta siente cualquier molestia, deje de usarla de inmediato y evalúe el método de utilización.

## DURANTE EL USO

- Sujete la herramienta eléctrica por las superficies de agarre aisladas **(7)** al realizar una operación en la que el accesorio de corte o mecanismo de sujeción pueda entrar en contacto con algún cableado oculto (si el accesorio de corte o los mecanismos de sujeción entran en contacto con un hilo conductor, las partes de metal expuestas de la herramienta eléctrica conducirán electricidad, por lo que el operador podría recibir una descarga eléctrica).

- En caso de mal funcionamiento eléctrico o mecánico, apague la herramienta o desenchufe el cargador de la fuente de alimentación de inmediato.

### ANTES DE USAR POR PRIMERA VEZ

Saque la herramienta y los accesorios del paquete. Compruebe que la herramienta no haya sufrido ningún daño durante el transporte. En caso de notar algún daño, no la utilice. Mantenga el material de embalaje fuera del alcance de los niños, de manera de evitar cualquier riesgo de asfixia.

### USO PREVISTO

El martillo perforador SDS Plus ha sido diseñado para taladrar mampostería. También se puede utilizar para taladrar madera y metal con un portabrocas normalizado con conector SDS Plus (se vende por separado). Utilice el equipo solo para los fines prescritos.

### UTILIZACIÓN

#### Empuñadura auxiliar

- La empuñadura auxiliar **(13)** debe usarse en todo momento al taladrar.
- La empuñadura auxiliar **(13)** puede girarse 360° alrededor de la broca, lo que posibilita un uso seguro y cómodo tanto para los diestros como para los zurdos.

#### Para ajustar la empuñadura auxiliar:

1. Gire la empuñadura en sentido antihorario. Esto permite aflojar el conjunto de agarre.
2. Mueva la empuñadura lateral hasta la posición deseada.
3. Asegure la posición girando la empuñadura en sentido horario.

#### Tope de profundidad

1. Gire la empuñadura en sentido antihorario. Esto permite aflojar el conjunto de agarre.
2. Mueva el tope de profundidad **(18)** hasta la posición deseada.
3. Asegure la posición girando la empuñadura en sentido horario.

#### Manipulación del portabrocas

- Este martillo perforador tiene un portabrocas diseñado para brocas SDS Plus.

- El sistema SDS Plus posibilita la inserción de las brocas con una sencilla acción de ajuste a presión.
- Siempre engrase el extremo posterior de las brocas SDS. Las brocas deben haber sido engrasadas recientemente y estar libres de suciedad y polvo antes de usarlas.

#### Inserción de una broca

1. Tire del anillo del portabrocas **(15)** y sujételo en esa posición.
  2. Inserte completamente una broca SDS Plus **(17)** en el portabrocas **(16)**. Utilice un movimiento de torsión para alinear las ranuras en el accesorio.
  3. Suelte el anillo del portabrocas.
  4. Ahora, a broca debería estar asegurada a la herramienta. Compruebe la sujeción tirando de la broca; si extrae la broca al tirar de ella, repita el procedimiento anterior hasta asegurarla debidamente.
- Para extraer una broca del portabrocas, retraiga el anillo del portabrocas y tire firmemente de la broca.

**ADVERTENCIA:** Nunca coloque ningún accesorio cuya velocidad máxima sea inferior a la velocidad sin carga de la herramienta.

#### Selección del martillo

- El martillo perforador puede usarse tanto en modo de martillo perforador (para trabajos de mampostería) o en modo de taladro convencional (para madera, metal, plástico, etc.) con un portabrocas normalizado para adaptador SDS Plus (se vende por separado).
- Para seleccionar el modo de martillo perforador, pulse el botón de liberación del selector de modo **(2)** en el selector de modo **(1)** y alinee el selector de modo con el símbolo «**T**».
- Para seleccionar el modo de perforación giratoria, pulse el botón de liberación del selector de modo **(2)** en el selector de modo **(1)** y alinee el selector de modo con el símbolo «**G**».
- No intente mover el selector de modo con el martillo perforador en funcionamiento.

## MANUAL DE USUARIO

**IMPORTANTE:** Utilice todo el equipo de protección necesario antes de usar este taladro.

### Interruptor de gatillo

- Siempre sujete firmemente el martillo perforador con ambas manos.
- Para encender el martillo perforador, presione el interruptor de gatillo **(8)**.
- Para detener el martillo perforador, suelte el interruptor de gatillo.

### Selección del sentido del giro

- El sentido del giro del taladro se ajusta mediante el interruptor de avance/retroceso **(6)**.
- Para poner en marcha el taladro en sentido horario, coloque el interruptor de avance/retroceso a la izquierda, junto al símbolo «▶».
- Para poner en marcha el taladro en sentido antihorario, coloque el interruptor de avance/retroceso a la derecha, junto al símbolo «◀».
- No intente mover el interruptor de avance/retroceso con el martillo perforador en funcionamiento.
- No intente poner en marcha el martillo perforador con el interruptor de avance/retroceso en posición media.

### Control de la velocidad

- La velocidad del martillo perforador se controla mediante la presión aplicada al interruptor de gatillo **(8)**. Cuanto más se presione el gatillo, mayor será la velocidad.

### Selección de la velocidad

- Seleccione la velocidad 1 en el interruptor de velocidad **(3)** para establecer la velocidad más baja y el mayor momento de torsión. Este ajuste es apropiado para taladrar a baja velocidad y atornillar tornillos y tornillos pasadores.
- Seleccione la velocidad 2 en el interruptor de velocidad para establecer la velocidad más alta y el menor momento de torsión. Este ajuste es apropiado para taladrar a alta velocidad.

**Nota:** Siempre lea la documentación provista con las brocas y los accesorios en lo que respecta a los ajustes recomendados y

máximos, de manera de usar la velocidad más apropiada. Consulte los datos técnicos para conocer la velocidad máxima sin carga de cada ajuste de velocidad.

### Perforación de hormigón

- Utilizando el modo de martillo perforador, ejerza presión en la parte posterior del martillo perforador, en línea con la broca.
- Para una perforación eficaz, es aconsejable usar brocas TCT (con punta de carburo de wolframio). Asegúrese de que el tamaño de la broca no exceda la capacidad máxima del martillo perforador (consulte los datos técnicos).
- No aplique demasiada presión si hay residuos bloqueando el agujero de perforación. Lentamente, ponga en marcha el martillo perforador y retire la broca del agujero. Repita hasta despejar el agujero.

## ACCESORIOS

Utilice solo accesorios con una velocidad permitida que coincida al menos con la velocidad máxima sin carga de la herramienta.

## MANTENIMIENTO Y LIMPIEZA

**ADVERTENCIA:** Antes de proceder a cualquier tarea de mantenimiento o limpieza del cargador, desconéctelo de la red eléctrica. Retire la batería antes de realizar cualquier tarea de mantenimiento o limpieza de la herramienta.

### Mantenimiento

Ninguna parte interna de la herramienta requiere mantenimiento.

### Limpieza

- Mantenga los dispositivos de seguridad, las aberturas de ventilación y la carcasa del motor en el mejor estado de limpieza posible, esto es, deben estar libres de sucio y polvo. Para ello, utilice aire comprimido a baja presión y un paño limpio.
- Le recomendamos limpiar su herramienta eléctrica inmediatamente después de cada uso.
- Limpie la herramienta eléctrica regularmente con un paño humedecido con agua jabonosa (utilice únicamente detergentes suaves).

No utilice disolventes ni productos de limpieza, ya que pueden atacar las partes de plástico del aparato. Asegúrese de que el agua no penetre en el interior de la herramienta.

## DATOS TÉCNICOS

Velocidad . . . . .	0-300 min <sup>-1</sup>
. . . . .	0-1000 min <sup>-1</sup>
Impactos por minuto . . . . .	0-5000 min <sup>-1</sup>
Portabrocas. . . . .	SDS Plus
Energía de impacto . . . . .	0,8 J
Dimensiones . . . . .	33 × 10 × 19 cm
Peso . . . . .	1,75 kg
Nivel de presión sonora (L <sub>PA</sub> ) . . . . .	84,28 dB(A)
Incertidumbre (K <sub>PA</sub> ) . . . . .	3 dB
Nivel de potencia acústica (L <sub>WA</sub> ) . . . . .	95,28 dB(A)
Incertidumbre (K <sub>WA</sub> ) . . . . .	3 dB
Vibración transmitida al sistema mano-brazo	
Empuñadura principal . . . . .	7,518 m/s <sup>2</sup>
Empuñadura auxiliar . . . . .	6,035 m/s <sup>2</sup>
Incertidumbre K. . . . .	1,5 m/s <sup>2</sup>
Capacidad de perforación	
en mampostería . . . . .	20 mm (Ø)
Capacidad de perforación	
en madera . . . . .	20 mm (Ø)
Capacidad de perforación	
en acero . . . . .	10 mm (Ø)

## ELIMINACIÓN



*No deseche las herramientas eléctricas junto a los residuos domésticos.*

El embalaje en el que se envía esta herramienta reduce los daños debidos al transporte. El material de embalaje en cuestión es una materia prima que se puede reutilizar o reciclar. La herramienta eléctrica y sus accesorios están fabricados con diferentes materiales como metales y plástico. Lleve los componentes defectuosos a un punto de recogida de residuos especiales. Puede consultar con el vendedor o su ayuntamiento al respecto. Tanto el producto como el manual de usuario están sujetos a cambios. Los datos técnicos pueden cambiar sin previo aviso.

## Baterías

Piense en el medioambiente al desechar las baterías. Póngase en contacto con las autoridades locales para saber dónde se encuentra el punto de recogida mas cercano para este tipo de residuos.

No deseche las baterías junto a los residuos domésticos.

No elimine las baterías quemándolas, ya que esto entraña un riesgo de explosión.

## DECLARACIÓN CE DE CONFORMIDAD

Nosotros, **Batavia B.V., con domicilio social en Weth. Wassebaliestraat 6d, NL-7951 SN Staphorst**, declaramos bajo nuestra propia responsabilidad que el **martillo perforador inalámbrico SDS+, modelo BT-CRH001, n.º de artículo 7062511**, cumple con los requisitos básicos recogidos en la Directiva **2014/30/EU** del Parlamento Europeo y del Consejo en materia de compatibilidad electromagnética (EMC), la Directiva **2006/42/CE** relativa a las máquinas y la Directiva **2011/65/EU** sobre restricciones a la utilización de determinadas sustancias peligrosas en aparatos eléctricos y electrónicos (también conocida como RoHS) y sus enmiendas. Para la evaluación del cumplimiento normativo se consultaron las siguientes normas armonizadas:

**EN 60745-1:2009+A11**  
**EN 60745-2-6:2010**  
**AfPS GS:2019:01 PAK**  
**EN 55014-1:2017**  
**EN 55014-2:2015**

Staphorst, 7 de junio de 2021

Meino Seinen, representante de Aseguramiento de la Calidad de Batavia B.V., Weth. Wassebaliestraat 6d, 7951 SN Staphorst, Países Bajos



## ESTIMADOS CLIENTES

Os manuais de instruções oferecem sugestões úteis sobre a utilização do seu novo dispositivo. Estes permitem-lhe utilizar todas as funções, e ajudam-no a evitar mal-entendidos e a prevenir danos. Disponha de algum tempo para ler este manual atentamente e guarde-o para consulta futura.

## EXPLICAÇÃO DOS SÍMBOLOS



**Aviso!** Para reduzir o risco de lesões, o utilizador deve ler o manual de instruções.



Indica risco de lesões corporais, morte ou danos no equipamento no caso de não observância das instruções neste manual.



Utilizar sempre proteção auditiva. Os efeitos do ruído podem causar perda de audição.



Utilize óculos de proteção. Sempre que se trabalha com ferramentas elétricas, é possível a ocorrência de faíscas, lascas, farpas e partículas de pó, que podem causar perda de visão.



Ferramenta elétrica, proteção classe II. Este símbolo indica que esta unidade corresponde à Classe de Proteção II. Isto significa que o aparelho está equipado respetivamente com um isolamento duplo ou reforçado entre os circuitos elétricos e a saída de tensão ou o revestimento metálico.



"CE" significa "Conformidade Europeia", o que indica "em conformidade com a regulamentação da UE". Com a marcação CE, o fabricante confirma que esta ferramenta elétrica cumpre com as diretivas europeias aplicáveis.



Não elimine as ferramentas elétricas juntamente com os resíduos domésticos.

## INSTRUÇÕES DE SEGURANÇA PARA BERBEQUINS SEM FIOS

### Geral

- A ferramenta/carregador não se destina a ser utilizada por pessoas (incluindo crianças) com capacidades físicas, sensoriais ou mentais reduzidas, ou sem experiência e conhecimento, exceto se sob supervisão ou se tiverem recebido instruções relativas à utilização da ferramenta/carregador por parte de uma pessoa responsável pela sua segurança.
- Certifique-se de que as crianças não brincam com a ferramenta/carregador.
- Certifique-se de que o interruptor de reversibilidade (6) se encontra na posição média (bloqueio) antes de fazer quaisquer ajustes ou carregar os acessórios, ou sempre que transportar ou armazenar a ferramenta.
- Não trabalhe com materiais que contêm amianto (o amianto é considerado carcinogénico)
- O pó de materiais como tinta com chumbo, algumas espécies de madeira, minerais e metais podem ser nocivos (o contacto com ou a inalação de pó pode provocar reações alérgicas e/ou doenças respiratórias ao utilizador e pessoas nas imediações); utilize uma máscara antipó e trabalhe com um dispositivo de extração de pó, se possível.
- Alguns tipos de pó são considerados carcinogénicos (como é o caso do pó de carvalho e de faia), especialmente em conjugação com alguns aditivos para tratamento da madeira; utilize uma máscara antipó e trabalhe com um dispositivo de extração de pó, se possível.
- Siga os requisitos nacionais em matéria de pó relativos aos materiais com os quais pretende trabalhar.
- Sempre que utilizar o berbequim, use equipamento de segurança, incluindo óculos de proteção ou viseira, protetores auditivos e vestuário de proteção incluindo luvas de segurança. Utilize proteção respiratória adequada para o trabalho a desempenhar. Recomenda-se uma classificação mínima de FFP2. Se a utilização da ferramenta provoca algum tipo de desconforto, pare

- imediatamente e reveja o método de utilização.
- Os carregadores de bateria destinam-se apenas a espaços interiores. Certifique-se de que a alimentação elétrica e o carregador estão sempre protegidos contra humidade.
- Certifique-se de que a iluminação é adequada.
- Certifique-se de que a ponta do berbequim se encontra firmemente fixada no mandril. As pontas não fixadas podem ser ejetadas da máquina, constituindo um perigo.
- Certifique-se de que a ponta do berbequim não entra em contacto com a peça de trabalho antes de ligar a ferramenta.
- Antes de perfurar, verifique se existe uma folga suficiente para a ponta do berbequim por baixo da peça de trabalho.
- As pontas do berbequim ficam quentes durante a operação; permita que arrefeçam antes de as manusear.
- NUNCA utilize as suas mãos para remover serradura, lascas ou resíduos junto da ponta.
- Examine o mandril regularmente e veja se tem sinais de desgaste ou danos. As peças danificadas devem ser reparadas por um centro de assistência qualificado.
- Espere SEMPRE até o berbequim parar completamente antes de o pousar.

### MEDIDAS DE SEGURANÇA ADICIONAIS PARA BERBEQUINS SDS PLUS

**AVISO:** Se suspeita ou detetar a presença de amianto em qualquer área de trabalho procure aconselhamento imediatamente. A remoção de amianto deve ser realizada por um empreiteiro devidamente licenciado. Contacte os serviços de Saúde, Segurança e Ambiente (HSE no Reino Unido) ([www.hse.gov.uk](http://www.hse.gov.uk)) ou a autoridade de saúde e segurança do seu país para obter mais informações sobre o manuseamento de amianto. A Diretiva Europeia 2009/148/CE oferece informações adicionais sobre a exposição ao amianto durante o trabalho.

- É imperativo seguir todos os regulamentos de segurança nacionais relativos ao tipo de trabalho a realizar.

- Não permita que pessoas com menos de 18 anos de idade utilizem esta ferramenta, e certifique-se de que os operadores são qualificados e estão familiarizados com a operação e instruções de segurança.
- A perfuração ou utilização de formões em alvenaria pode criar partículas afiadas que podem embater no operador. Utilize óculos e vestuário de proteção à prova de impactos, incluindo botas de proteção.
- Os berbequins apenas devem ser utilizados com brocas SDS que contenham um engate de segurança para prevenir bloqueios que possam provocar lesões ao operador.
- Se o engate de segurança funcionar durante a utilização, solte rapidamente o gatilho e remova o berbequim ou a broca da superfície de alvenaria a perfurar. Não continue a trabalhar até compreender a causa do acionamento do engate de segurança.
- Não utilize brocas SDS se estiver pendurado numa escada ou num local em que haja o risco de queda. As brocas SDS são pesadas e produzem uma forte vibração e um elevado aperto durante a utilização.
- Utilize luvas de proteção antivibração adequadas, não fabricadas em tecido ou revestidas a tecido para prevenir o enredamento de fios soltos de material na broca em rotação. Elimine imediatamente as luvas se o material estiver visivelmente desgastado.
- A perfuração pode produzir grandes volumes de pó e resíduos que podem ser tóxicos. Utilize proteção respiratória adequada para o trabalho a desempenhar. Recomenda-se uma classificação mínima de FFP2.
- Os berbequins SDS produzem um volume elevado de ruído, pelo que deve sempre usar proteção auricular adequada enquanto utiliza a ferramenta.
- Os berbequins SDS produzem um nível de vibração muito elevado quando funcionam no modo de martelo ou formão. Recomendamos a realização de pausas frequentes.

- Utilize apenas formões ou pontas SDS com berbequins SDS nos quais o modo de perfuração rotativo possa ser desligado.
- Utilize detetores de metal e tensão para localizar linhas de eletricidade, água ou gás ocultas. Evite tocar em componentes sob tensão ou condutores.
- Os cabos de extensão em rolo usados com esta ferramenta têm de ser totalmente desenrolados. Secção transversal condutora mínima: 1,25 mm<sup>2</sup>.
- Os cabos de extensão utilizados no exterior devem ser concebidos para uma utilização no exterior, devendo incluir fichas à prova de água e um isolamento correto.
- Quando utilizar um berbequim SDS no exterior, tem de utilizar um dispositivo diferencial residual (DDR) ligando a uma tomada que incorpora um DDR, ou utilizando um DDR na linha.
- Certifique-se de que o formão ou a ponta do berbequim se encontra firmemente fixada no mandril antes de utilizar a ferramenta. As pontas não fixadas podem ser ejetadas da máquina, constituindo um perigo.
- Garanta uma iluminação adequada.
- Utilize ambas as mãos quando utilizar esta ferramenta.
- Utilize sempre a pega auxiliar fornecida com a ferramenta.
- Não exerça pressão sobre a ferramenta - ao fazê-lo, estará a encurtar a vida útil da mesma.
- As brocas ficam quentes durante a operação. Permita que arrefeçam antes de as manusear.
- Se, durante a utilização do berbequim, for interrompido, termine o processo e desligue a ferramenta antes de desviar a sua atenção.
- Desligue sempre o berbequim SDS da rede elétrica antes de substituir um formão ou uma broca.
- Examine o mandril regularmente e veja se tem sinais de desgaste ou danos. As peças danificadas devem ser reparadas por um centro de assistência qualificado.
- Espere sempre até o berbequim parar completamente antes de o pousar.
- Após a conclusão do trabalho, desligue a ferramenta da alimentação e retire o formão/broca da máquina.
- Verifique periodicamente todas as porcas, parafusos e outros acessórios e aperte-os sempre que necessário.
- Verifique a ferramenta após a utilização, especialmente o cabo de alimentação, que pode ser danificado por peças de alvenaria afiadas.
- Instale sempre a guarda antipó no berbequim para prevenir danos provocados por resíduos que penetrem no mandril do SDS.
- Se a utilização da ferramenta provoca algum tipo de desconforto, pare imediatamente e reveja o método de utilização.

### **DURANTE A UTILIZAÇÃO**

- Segure a ferramenta pelas superfícies isoladas para esse fim **(7)**, quando realizar uma operação na qual o acessório de corte ou aperto possa ficar em contacto com cablagem oculta (acessórios de corte e aperto em contacto com um fio sob tensão podem eletrificar peças metálicas expostas da ferramenta e podem provocar um choque elétrico ao utilizador).
- No caso de avaria elétrica ou mecânica, desligue imediatamente a ferramenta ou desligue o carregador da tomada elétrica.

### **ANTES DA PRIMEIRA UTILIZAÇÃO**

Retire a máquina e os acessórios da embalagem. Verifique se a máquina apresenta danos causados pelo transporte e, se assim for, não a utilize. Mantenha os materiais de embalagem longe do alcance das crianças - risco de asfixia!

### **UTILIZAÇÃO PREVISTA**

O Berbequim-martelo SDS Plus foi concebido para perfurar alvenaria. Também tem a capacidade de perfurar madeira e metal com a aquisição opcional de um mandril padrão com o conector SDS Plus. O equipamento destina-se a ser utilizado apenas para o seu fim previsto.

## OPERAÇÃO

### Pega auxiliar

- A pega auxiliar **(13)** deve ser sempre usada durante a perfuração.
- A pega auxiliar **(13)** pode ser girada a 360° em torno da cabeça de perfuração, permitindo uma operação segura e confortável por parte de utilizadores destros e esquerdinos.

### Para ajustar a pega auxiliar:

1. Gire a pega no sentido contrário ao dos ponteiros do relógio. Irá desapertar o conjunto da pega.
2. Mova a pega lateral para a posição pretendida.
3. Fixe na posição girando a pega no sentido dos ponteiros do relógio.

### Bloqueio de profundidade

1. Gire a pega no sentido contrário ao dos ponteiros do relógio. Irá desapertar o conjunto da pega.
2. Mova o bloqueio de profundidade **(18)** para a posição necessária.
3. Fixe na posição girando a pega no sentido dos ponteiros do relógio.

### Operar o mandril

- Este martelo rotativo possui um mandril concebido para brocas SDS Plus.
- O sistema SDS Plus permite a inserção de brocas com uma simples ação de encaixe.
- Lubrifique sempre a extremidade das brocas SDS. As brocas devem ser lubrificadas de fresco e limpas (de sujidade e pó) antes da utilização.

### Inserir uma broca

1. Puxe a gola do mandril **(15)** e mantenha-a presa.
2. Insira a broca SDS Plus **(17)** totalmente no mandril **(16)**. Execute um movimento de torção para alinhar as ranhuras no acessório.
3. Solte a gola do mandril.
4. A broca deve estar agora bloqueada na máquina. Verifique, puxando a broca; se a broca estiver solta, repita o procedimento acima até ficar presa.

- Para remover a broca do mandril, puxe a gola do mandril para trás e empurre firmemente a broca.

**AVISO:** Nunca coloque qualquer peça com uma velocidade máxima inferior à velocidade sem carga da máquina.

### Seleção de martelo

- O martelo rotativo pode ser usado no modo de perfuração-martelo (para trabalhos em alvenaria), ou no modo de perfuração rotativa convencional (para madeira, metal, plásticos, etc.) com a aquisição (opcional) de um mandril padrão para o adaptador SDS Plus.
- Para selecionar o modo de perfuração-martelo, prima o botão de libertação do seletor de modo **(2)** no seletor de modo **(1)** e alinhe o seletor de modo com o símbolo “**T**”.
- Para selecionar o modo de perfuração rotativa, prima o botão de libertação do seletor de modo **(2)** no seletor de modo **(1)** e alinhe o seletor de modo com o símbolo “**R**”.
- Não tente mover o seletor de modo enquanto o martelo rotativo estiver a trabalhar.

## INSTRUÇÕES DE FUNCIONAMENTO

**IMPORTANTE:** Utilize todo o equipamento de segurança necessário antes de utilizar este berbequim.

### Gatilho

- Segure sempre o martelo rotativo firmemente com ambas as mãos.
- Para iniciar o martelo rotativo, aperte o interruptor de gatilho **(8)**.
- Para parar o martelo rotativo, solte o interruptor de gatilho.

### Selecionar a rotação de avanço/inversa

- A direção do berbequim pode ser alterada utilizando o interruptor de reversibilidade **(6)**.
- Para operar o berbequim na direção dos ponteiros do relógio, posicione o interruptor de reversibilidade no lado esquerdo, adjacente ao símbolo “**▶**”.
- Para operar o berbequim na direção contrária à dos ponteiros do relógio,

posicione o interruptor de reversibilidade no lado direito, adjacente ao símbolo "◀".

- Não tente mover o interruptor de reversibilidade enquanto o martelo rotativo estiver a trabalhar.
- Não tente operar o martelo rotativo com o interruptor de reversibilidade na posição central.

### Controlo de velocidade

- A velocidade do martelo rotativo é controlada pela pressão aplicada no interruptor de gatilho (8). Quanto mais pressionar o gatilho, maior será a velocidade.

### Seleção de engrenagens

- Selecione a posição 1 no interruptor de engrenagens (3) para uma marcha a baixa velocidade e elevado aperto. É adequada para perfuração a baixa velocidade e aperto de parafusos e fixadores.
- Selecione a posição 2 no interruptor de engrenagens para uma marcha a alta velocidade e baixo aperto. Adequada apenas para perfuração a alta velocidade.

**Nota:** Leia sempre a documentação fornecida com as brocas e acessórios para saber qual a definição recomendada ou a velocidade máxima, e utilize a posição mais adequada. Consulte os "Dados técnicos" para saber qual a velocidade máxima sem carga de cada engrenagem.

### Perfurar cimento

- Utilizando o modo de perfuração-martelo, aplique pressão na parte traseira do martelo rotativo, em linha com a broca.
- Para uma perfuração eficiente, é aconselhável usar brocas de TCT (cabeça em carboneto de tungsténio). Certifique-se de que o tamanho da broca está dentro da capacidade máxima do martelo rotativo (ver "Dados técnicos").
- Não aplique demasiada pressão se os resíduos bloquearem o orifício da broca. Coloque o martelo rotativo a trabalhar lentamente, e remova a broca do orifício. Repita até o orifício estar desimpedido.

### ACESSÓRIOS

Utilize apenas acessórios com uma velocidade permitida que coincida com a velocidade máxima sem carga da ferramenta.

### MANUTENÇÃO E LIMPEZA

**AVISO:** desligue sempre da rede elétrica antes de realizar qualquer manutenção/limpeza do carregador. Retire a bateria antes de realizar qualquer manutenção/limpeza da ferramenta.

#### Manutenção

Não existem quaisquer peças internas que necessitem de manutenção.

#### Limpeza

- Mantenha os dispositivos de segurança, os orifícios de ventilação e a caixa do motor o mais limpos possível (de sujidade e pó). Limpe a ferramenta elétrica com um pano limpo ou sobre-a com um equipamento de ar comprimido de baixa pressão.
- Recomendamos a limpeza da sua ferramenta elétrica imediatamente após cada utilização.
- Limpe a ferramenta elétrica regularmente com um pano húmido e algum sabão suave.

Não utilize quaisquer materiais de limpeza ou solventes, já que podem danificar os componentes plásticos do dispositivo. Certifique-se de que a água não penetra no interior da ferramenta elétrica.

### DADOS TÉCNICOS

Velocidade	0 – 300 min <sup>-1</sup>
	0 – 1000 min <sup>-1</sup>
Impactos por minuto	0 – 5000 min <sup>-1</sup>
Mandril	SDS Plus
Energia de impacto	0,8 J
Dimensões	33 × 10 × 19 cm
Peso	1,75 kg
Nível de pressão sonora L <sub>PA</sub>	84,28 dB(A)
Incerteza K <sub>PA</sub>	3 dB
Nível de potência sonora L <sub>WA</sub>	95,28 dB(A)
Incerteza K <sub>WA</sub>	3 dB
Vibrações transm. mão-braço	
Pega principal	7,518 m/s <sup>2</sup>
Pega auxiliar	6,035 m/s <sup>2</sup>

Incerteza K . . . . . 1,5m/s<sup>2</sup>  
Cap. perfuração Alvenaria . . . . . Ø 20 mm  
Cap. perfuração Madeira . . . . . Ø 20 mm  
Cap. perfuração Aço . . . . . Ø 10 mm

## ELIMINAÇÃO



**Não elimine as ferramentas elétricas juntamente com os resíduos domésticos.**

Esta ferramenta elétrica é expedida numa embalagem para minimizar os danos de transporte. Esta embalagem é uma matéria-prima e, como tal, pode ser reutilizada ou reintroduzida no respetivo ciclo. Esta ferramenta elétrica e os seus acessórios são feitos de vários materiais, tais como metais e plásticos. Leve as peças defeituosas para um ponto de recolha especial. Coloque as suas questões a este respeito numa loja da especialidade ou autoridade local. O produto e o manual do utilizador podem ser sujeitos a alterações. Os dados técnicos podem ser alterados sem aviso prévio.

### Bateria

Pense no ambiente sempre que eliminar baterias. Contacte as autoridades locais para saber a localização da área de eliminação de resíduos mais próxima.

Não elimine as baterias juntamente com os resíduos domésticos.

Não elimine a bateria queimando-a - risco de explosão.

## DECLARAÇÃO DE CONFORMIDADE CE

Nós, **Batavia B.V., Weth. Wassebaliestraat 6d, NL-7951 SN Staphorst**, declaramos sob a nossa responsabilidade que o produto **Berbequim-martelo SDS+ sem fios, Modelo BT-CRH001, Item n.º 7062511** está de acordo com os requisitos básicos definidos nas Diretivas Europeias **2014/30/UE** relativa à compatibilidade eletromagnética(CEM), **2006/42/CE** (relativa às máquinas), **2011/65/UE** (relativa à restrição do uso de determinadas substâncias perigosas em equipamentos elétricos e eletrónicos) e respetivas alterações. Para a avaliação de conformidade, foram consultadas as seguintes normas harmonizadas:  
**EN 60745-1:2009+A11,**  
**EN 60745-2-6:2010,**  
**AfPS GS:2019:01 PAK,**  
**EN 55014-1:2017,**  
**EN 55014-2:2015**  
Staphorst, 7 de junho de 2021

Meino Seinen, QA Representative  
Batavia B.V., Weth. Wassebaliestraat 6d,  
7951 SN Staphorst, Países Baixos

## SZANOWNI KLIENTY

Instrukcja obsługi zawiera cenne wskazówki dotyczące użytkowania Państwa nowego urządzenia. Pozwolą one na wykorzystanie wszystkich funkcji, pomogą uniknąć nieporozumień oraz zapobiegają uszkodzeniom. Prosimy o poświęcenie czasu na dokładne przeczytanie instrukcji oraz o zachowanie jej na przyszłość.

## OBJAŚNIENIE SYMBOLI



*Ostrzeżenie! W celu zredukowania ryzyka obrażeń użytkownik musi przeczytać instrukcję obsługi.*



*Oznacza ryzyko obrażeń ciała, śmierci lub uszkodzenia narzędzia w przypadku nieprzestrzegania zaleceń zawartych w niniejszej instrukcji.*



*Zawsze stosować ochronę słuchu. Narażenie na hałas może spowodować utratę słuchu.*



*Nosić okulary ochronne. Podczas pracy z elektronarzędziami może dochodzić do powstawania isker, odprysków, wiórów oraz cząstek pyłu, które mogą spowodować utratę wzroku.*



*Elektronarzędzie, klasa ochrony II. Znak ten oznacza, że urządzenie odpowiada klasie ochrony II. Oznacza to, że urządzenie jest wyposażone odpowiednio albo we wzmocnioną, albo w podwójną izolację między obwodami zasilania a napięciem wyjściowym lub obudową metalową.*



*CE jest skrótem od „Conformité Européenne”, co oznacza „Zgodne z przepisami UE”. Za pomocą znaku CE producent potwierdza, że niniejsze elektronarzędzie spełnia wymagania obowiązujących dyrektyw UE.*



*Nie należy utylizować elektronarzędzi z odpadami domowymi.*

## ZALECENIA BEZPIECZEŃSTWA DLA BEZPRZEWODOWYCH WIERTARKO-WKRĘTAREK

### Ogólne

- Narzędzie/ładowarka nie jest przeznaczone do stosowania przez osoby (w tym dzieci) o ograniczonych zdolnościach fizycznych, sensorycznych lub psychicznych lub nieposiadające doświadczenia albo wiedzy, chyba że pozostają one pod nadzorem lub zostaną przeszkolone przez osobę odpowiedzialną za ich bezpieczeństwo w zakresie użytkowania narzędzia/ładowarki.
- Nie pozwalać dzieciom bawić się narzędziem/ładowarką.
- Przed wykonaniem jakiegokolwiek regulacji lub wymiany osprzętu oraz przed przeniesieniem lub schowaniem narzędzia upewnić się, że przełącznik kierunku obrotów **(6)** znajduje się w położeniu środkowym (blokada).
- Nie wolno obrabiać materiałów zawierających azbest (azbest traktowany jest jako materiał rakotwórczy)
- Pył z materiału takiego jak farba zawierająca ołów, niektóre gatunki drewna, minerały lub metale może być szkodliwy (kontakt z pyłem lub wdychanie go może spowodować reakcje alergiczne i/lub choroby układu oddechowego u operatora lub osób postronnych); nosić maskę przeciwpyłową lub pracować z urządzeniem do odsysania pyłu, jeśli można je podłączyć.
- Pewne rodzaje pyłu są klasyfikowane jako rakotwórcze (np. pył dębowy lub bukowy) szczególnie w połączeniu ze środkami do impregnacji drewna; nosić maskę przeciwpyłową lub pracować z urządzeniem do odsysania pyłu, jeśli można je podłączyć.
- Przestrzegać krajowych przepisów dotyczących zapylenia dla materiałów, które będą obrabiane.
- W przypadku korzystania z wiertarki stosować środki ochrony, takie jak okulary ochronne lub przyłbicę, ochronę słuchu oraz odzież ochronną w tym rękawice ochronne. Stosować ochronę dróg oddechowych odpowiednią do wykonywanej pracy. Zalecana jest minimalna klasyfikacja FFP2. Jeśli obsługa narzędzia powoduje



jakikolwiek dyskomfort, należy natychmiast zaprzestać użytkowania i poddać weryfikacji sposób użycia.

- Ładowarki do akumulatorów przeznaczone są tylko do użytku w pomieszczeniach. Należy zapewnić, że zasilanie i ładowarka są przez cały czas chronione przed wilgocią.
- Zapewnić odpowiednie oświetlenie.
- Upewnić się, że wiertło jest pewnie zamocowane w uchwycie. Niezabezpieczone wiertło może zostać wyrzucone z urządzenia, powodując zagrożenia.
- Przed uruchomieniem narzędzia upewnić się, że wiertło nie styka się z obrabianym materiałem.
- Przed wierceniem sprawdzić, czy pod obrabianym elementem jest wystarczająca ilość miejsca dla wiertła.
- Wiertła ulegają nagrzeniu podczas pracy, przed manipulowaniem nimi należy poczekać, aż się ochłodzą.
- NIGDY nie usuwać rękoma wiórów, opiłków lub zanieczyszczeń w pobliżu wiertła.
- Należy regularnie sprawdzać uchwyt pod kątem oznak zużycia lub uszkodzenia. Uszkodzone części powinny być naprawiane przez wykwalifikowane centrum serwisowe.
- Przed odłożeniem narzędzia należy ZAWSZE poczekać na całkowite zatrzymanie końcówki.

### **DODATKOWE ŚRODKI OSTROŻNOŚCI PRZY PRACY Z WIERTARKAMI SDS PLUS**

**OSTRZEŻENIE:** W razie podejrzeń lub wykrycia, że w obszarze roboczym znajduje się azbest, należy bezzwłocznie zasięgnąć profesjonalnej porady. Usuwanie azbestu powinno zostać wykonane przez licencjonowanego wykonawcę. Osoby znajdujące się w Wielkiej Brytanii powinny skontaktować się z HSE ([www.hse.gov.uk](http://www.hse.gov.uk)). Natomiast osoby znajdujące się w innym kraju powinny powiadomić właściwą organizację BHP, aby uzyskać więcej informacji na temat sposobu postępowania z azbestem. Dyrektywa Parlamentu Europejskiego i Rady 2009/148/UE zawiera dodatkowe informacje związane z

narażeniem na działanie azbestu w miejscu pracy.

- Konieczne jest przestrzeganie wszystkich krajowych przepisów bezpieczeństwa dotyczących rodzaju wykonywanej pracy.
- Osoby w wieku poniżej 18 lat nie powinny używać niniejszego urządzenia. Należy upewnić się, że operator urządzenia posiada odpowiednie kwalifikacje i zaznajomił się z instrukcjami obsługi oraz bezpieczeństwa.
- Wiercenie lub dłutowanie w ścianie może powodować powstawanie ostrych odłamków, które stanowią zagrożenie dla operatora. Należy nosić odporne na uderzenia okulary ochronne oraz odzież ochronną, w tym obuwie.
- Wiertła koronowe powinny być używane wyłącznie z wiertarkami SDS wyposażonymi w sprzęgło bezpieczeństwa, aby zapobiec zakleszczeniu, które może spowodować obrażenia operatora.
- Jeśli sprzęgło bezpieczeństwa uruchomi się podczas użytkowania, szybko zwolnić przełącznik wyzwalający i wyjąć wiertło lub wiertło koronowe z obrabianego materiału. Nie wznowiać pracy, dopóki nie zostanie wyjaśniona przyczyna zadziałania sprzęgła bezpieczeństwa.
- Nie używać wiertarki SDS, gdy operator znajduje się na drabinie lub w dowolnym miejscu, z którym wiąże się ryzyko upadku. Wiertarki SDS są ciężkie oraz wytwarzają silne wibracje, co wiąże się z wysokim momentem obrotowym podczas użytkowania.
- Nosić odpowiednie rękawice antywibracyjne, które nie są wykonane ze zwykłej włókniny lub tkaniny powlekanej, aby zapobiec zaczepieniu luźnych pasm materiału o obracające się wiertło. Nie używać rękawic, jeśli ich materiał jest wyraźnie postrzępiony.
- Wiercenie może powodować powstawanie dużych ilości pyłu i odłamków, które mogą być toksyczne. Stosować ochronę dróg oddechowych odpowiednią do wykonywanej pracy. Zalecana jest minimalna klasyfikacja FFP2.



- Wiertarki SDS generują wysoki poziom hałasu, dlatego podczas pracy z urządzeniem zawsze należy nosić odpowiednią ochronę słuchu.
- Wiertarki SDS wytwarzają bardzo wysoki poziom wibracji podczas pracy w trybie młota lub dłuta. Zalecane są częste przerwy.
- Dłuta lub szpicaków SDS używać wyłącznie z wiertarkami SDS, w których możliwe jest wyłączenie trybu obrotowego.
- Aby w miejscu wiercenia zlokalizować przewody elektryczne, wodne lub gazowe, należy użyć odpowiednich wykrywaczy metalu i prądu. Nie dotykać elementów lub przewodów znajdujących się pod napięciem elektrycznym.
- Przedłużacze na szpulach stosowane z urządzeniem muszą zostać całkowicie rozwinięte. Minimalny przekrój przewodu: 1,25 mm<sup>2</sup>.
- Przedłużacze na szpulach użytkowane na wolnym powietrzu powinny być przeznaczone do użytku zewnętrznego i posiadać gniazda wodoszczelne oraz odpowiednią izolację przewodu.
- Podczas korzystania z wiertarki SDS poza pomieszczeniami należy zastosować obwód elektryczny z wyłącznikiem różnicowoprądowym – urządzenie musi zostać podłączone bezpośrednio pod taki obwód lub być podłączone do gniazda, które zawiera wyłącznik różnicowoprądowy.
- Przed użyciem wiertarki upewnić się, że dłuto lub wiertło jest prawidłowo zamocowane w uchwycie. Niezabezpieczone wiertło może zostać wyrzucone z urządzenia, powodując zagrożenia.
- Należy zadbać o odpowiednie oświetlenie.
- Do obsługi elektronarzędzia używać obu dłoni.
- Używać uchwytu pomocniczego dołączonego do wiertarki.
- Nie wywierać nacisku na elektronarzędzie – może to skrócić jego żywotność.
- Wiertła nagrzewają się podczas wiercenia. Nie dotykać, zanim nie ostygną.
- W przypadku zakłócenia pracy przez inną osobę lub wydarzenie operator powinien dokończyć bieżące zadanie i wyłączyć wiertarkę przed podjęciem innych czynności.
- Przed wymianą dłuta lub wiertła zawsze odłączyć wiertarkę SDS od zasilania.
- Należy regularnie sprawdzać uchwyt pod kątem oznak zużycia lub uszkodzenia. Uszkodzone części powinny być naprawiane przez wykwalifikowane centrum serwisowe.
- Przed odłożeniem urządzenia zawsze należy poczekać do momentu całkowitego zatrzymania się wiertła.
- Po zakończeniu pracy odłączyć elektronarzędzie od źródła zasilania i wyjąć dłuto/wiertło z urządzenia.
- Okresowo sprawdzać wszystkie nakrętki, śruby oraz pozostałe elementy złączne i dokręcić je, kiedy to konieczne.
- Po użyciu należy obejrzeć narzędzie, zwłaszcza przewód zasilający, który może zostać uszkodzony przez ostre fragmenty gruzu.
- Zawsze zakładać osłonę przeciwpyłową do wiertła/dłuta, aby zapobiec uszkodzeniom spowodowanym przedostaniem się zanieczyszczeń do uchwytu SDS.
- Jeśli obsługa narzędzia powoduje jakikolwiek dyskomfort, należy natychmiast zaprzestać użytkowania i poddać weryfikacji sposób użycia.

### **PODCZAS UŻYTKOWANIA**

- Podczas wykonywania prac, w trakcie których narzędzie tnące lub element mocujący mogą zetknąć się z niewidocznymi przewodami elektrycznymi lub z własnym przewodem zasilającym, elektronarzędzie należy trzymać za izolowane powierzchnie rękojeści (7) (osprzęt tnący i elementy mocujące stykające się z przewodem pod napięciem mogą spowodować, że odslonięte metalowe części elektronarzędzia będą przewodzić prąd elektryczny, co grozi porażeniem operatora prądem elektrycznym).
- W przypadku usterki elektrycznej lub mechanicznej należy natychmiast wyłączyć

narzędzie i wyciągnąć wtyczkę ładowarki z gniazda zasilania.

## PRZED PIERWSZYM UŻYCIEM

Wyjąć urządzenie oraz akcesoria z opakowania. Sprawdzić urządzenie pod kątem uszkodzeń w czasie transportu i w razie uszkodzeń nie używać urządzenia. Opakowania chronić przed dziećmi, ryzyko uduszenia!

## PRZEZNACZENIE

Wiertarka udarowa SDS Plus jest przeznaczona do prac w ścianach murowanych. Po zakupieniu dodatkowego standardowego uchwytu ze złączem SDS Plus możliwe będzie wiercenie w drewnie i metalu. Urządzenie może być wykorzystywane tylko zgodnie z przeznaczeniem.

## OBSŁUGA

### Uchwyt pomocniczy

- Do wiercenia zawsze używać uchwytu pomocniczego **(13)**.
- Uchwyt pomocniczy **(13)** można obracać o 360° wokół głowicy wiertarki, co umożliwia bezpieczną i wygodną obsługę zarówno dla użytkowników lewo-, jak i praworęcznych.

### Regulacja uchwytu pomocniczego:

1. Obrócić uchwyt w kierunku przeciwnym do ruchu wskazówek zegara. Spowoduje to poluzowanie uchwytu.
2. Przesunąć uchwyt do wymaganej pozycji.
3. Zabezpieczyć, obracając uchwyt zgodnie z ruchem wskazówek zegara.

### Ogranicznik głębokości

1. Obrócić uchwyt w kierunku przeciwnym do ruchu wskazówek zegara. Spowoduje to poluzowanie uchwytu.
2. Przesunąć ogranicznik głębokości **(18)** do żądanej głębokości wiercenia.
3. Zabezpieczyć, obracając uchwyt zgodnie z ruchem wskazówek zegara.

### Obsługa uchwytu na narzędzie robocze

- Młotowiertarka została wyposażona w uchwyt przeznaczony do wiertła SDS Plus.
- System SDS Plus umożliwia mocowanie narzędzi roboczych za pomocą zwykłego wciśnięcia narzędzia.

- Końcówkę narzędzia roboczego SDS należy każdorazowo smarować. Przed użyciem narzędzie robocze powinno być świeżo nasmarowane i oczyszczone z brudu i kurzu.

### Mocowanie wiertła

1. Odciągnąć i przytrzymać kołnierz uchwytu **(15)**.
  2. Do końca wcisnąć narzędzie SDS Plus **(17)** do uchwytu **(16)**. Ruchem obrotowym wyrównać rowki w akcesorium.
  3. Zwolnić kołnierz uchwytu.
  4. Narzędzie robocze powinno zostać zablokowane w uchwycie. Skontrolować procedurę, ciągnąc za narzędzie robocze; jeśli można je wyjąć, powtórzyc powyższą procedurę aż do prawidłowego zamocowania.
- Aby wyjąć narzędzie robocze z uchwytu, odciągnąć kołnierz uchwytu do tyłu i mocno pociągnąć wiertło.

**OSTRZEŻENIE:** Nigdy nie zakładać żadnego osprzętu o maksymalnej prędkości obrotowej niższej od prędkości obrotowej urządzenia bez obciążenia.

### Funkcja młota

- Młot udarowo-obrotowy może być używany w trybie wiertarki udarowej (do prac w ścianach murowanych) lub zwykłym trybie wiertarki obrotowej (do drewna, metalu, tworzyw sztucznych itp.) po zakupie i zamontowaniu opcjonalnego uchwytu standardowego adaptera SDS Plus.
- Aby wybrać tryb wiercenia udarowego, nacisnąć przycisk odblokowania wybieraka trybu **(2)** na wybieraku trybów **(1)** i ustawić wybierak trybu na symbol „**T**”.
- Aby wybrać tryb wiercenia obrotowego, nacisnąć przycisk odblokowania wybieraka trybu na wybieraku trybów i ustawić wybierak trybów na symbol „**I**”.
- Nie przesuwaj wybieraka trybów podczas pracy młota udarowo-obrotowego.

## INSTRUKCJA

**WAŻNE!** Przed rozpoczęciem pracy z urządzeniem należy zastosować środki ochrony osobistej.

### Przełącznik wyzwalający

- Wiertarkę udarową zawsze trzymać pewnie obiema dłońmi.
- Aby uruchomić wiertarkę udarową, nacisnąć przełącznik wyzwalający **(8)**.
- Aby zatrzymać wiertarkę udarową, zwolnić przełącznik wyzwalający.

### Ustawienie obrotów urządzenia: do przodu lub do tyłu

- Kierunek obrotów silnika wiertarki można ustawić za pomocą przełącznika kierunku obrotów **(6)**.
- Aby uruchomić obroty narzędzia roboczego wiertarki w kierunku zgodnym z ruchem wskazówek zegara, przestawić przełącznik kierunku obrotów w lewą stronę, w linii z symbolem „▶”.
- Aby uruchomić obroty narzędzia roboczego wiertarki w kierunku przeciwnym do ruchu wskazówek zegara, przestawić przełącznik kierunku obrotów w prawą stronę, w linii z symbolem „◀”.
- Nie przełączać przełącznika kierunku obrotów podczas pracy wiertarki udarowej.
- Nie uruchamiać wiertarki udarowej, gdy przełącznik kierunku obrotów znajduje się w położeniu środkowym.

### Ustawianie prędkości obrotowej

- Prędkość obrotowa narzędzia jest kontrolowana przez nacisk wywierany na przełącznik wyzwalający **(8)**. Mocniejsze wciśnięcie przełącznika wyzwalającego wiąże się z wyższą prędkością obrotową.

### Wybór biegu

- Wybór biegu 1 na przełączniku przełożenia **(3)** włącza bieg o niskiej prędkości obrotowej i wysokim momencie obrotowym. Odpowiedni do wiercenia i wkręcania wkrętów oraz elementów złącznych z małą prędkością.
- Wybór biegu 2 na przełączniku przełożenia włącza bieg o wysokiej prędkości obrotowej i niskim momencie obrotowym. Odpowiedni wyłącznie do wiercenia z dużą prędkością.

**Uwaga:** Należy zawsze czytać dokumentację dostarczoną z wiertłami i akcesoriami, aby zapoznać się z zalecanymi lub maksymalnymi

ustawieniami prędkości i dzięki temu używać ustawień odpowiedniego biegu. Patrz „Dane techniczne”, aby poznać maksymalną prędkość bez obciążenia na każdym z biegów.

### Wiercenie w betonie

- W trybie wiertarki udarowej dociskać tylną część wiertarki udarowej, zgodnie z linią osadzenia wiertła.
- Aby zwiększyć wydajność wiercenia, zaleca się stosowanie wiertel TCT (z końcówkami z węglika wolframu). Upewnić się, że rozmiar narzędzia roboczego nie przekracza maksymalnych parametrów wiertarki udarowej (patrz „Dane techniczne”).
- Nie wywierać zbyt dużego nacisku, gdy zanieczyszczenia blokują wiercony otwór. Uruchomić wolne obroty wiertarki i wyjąć wiertło z otworu. Powtarzać, do momentu aż otwór zostanie oczyszczony.

### AKCESORIA

Stosować tylko akcesoria o dopuszczalnej prędkości obrotowej odpowiadającej co najmniej najwyższej prędkości obrotowej narzędzia bez obciążenia.

### KONSERWACJA I CZYSZCZENIE

**OSTRZEŻENIE:** Przed wykonaniem jakiegokolwiek konserwacji/czyszczenia ładowarki należy ją najpierw odłączyć od zasilania elektrycznego. Przed wykonaniem jakiegokolwiek konserwacji/czyszczenia narzędzia zdemontować akumulator.

#### Konserwacja

W urządzeniu nie ma elementów wewnętrznych wymagających konserwacji.

#### Czyszczenie

- W miarę możliwości należy chronić wszystkie rozwiązania zabezpieczające, otwory wentylacyjne i obudowę silnika przed zanieczyszczeniami i pyłem. Wytrzeć elektronarzędzie czystą ściereczką lub przedmuchać sprężonym powietrzem o niskim ciśnieniu.
- Zalecamy czyszczenie narzędzia z napędem elektrycznym natychmiast po każdym użyciu.

- Regularnie czyścić elektronarzędzie wilgotną szmatką i niewielką ilością delikatnego mydła.

Nie stosować środków czyszczących lub rozpuszczalników; mogą one spowodować uszkodzenie plastikowych części urządzenia. Nie dopuścić, by do wnętrza elektronarzędzia przedostała się woda.

## DANE TECHNICZNE

Prędkość obrotowa: . . . . .	0–300 min <sup>-1</sup>
. . . . .	0–1000 min <sup>-1</sup>
Udarów na minutę: . . . . .	0–5000 min <sup>-1</sup>
Uchwyt . . . . .	SDS Plus
Energia udaru: . . . . .	0,8 J
Wymiary . . . . .	33 × 10 × 19 cm
Masa . . . . .	1,75 kg
Poziom ciśnienia akustycznego L <sub>PA</sub> . . . . .	84,28 dB(A)
Niepewność K <sub>PA</sub> . . . . .	3 dB
Poziom mocy akustycznej L <sub>WA</sub> . . . . .	95,28 dB(A)
Niepewność K <sub>WA</sub> . . . . .	3 dB
Wibracje dłoni i ramion	
Uchwyt główny: . . . . .	7,518 m/s <sup>2</sup>
Uchwyt pomocniczy: . . . . .	6,035 m/s <sup>2</sup>
Niepewność K . . . . .	1,5 m/s <sup>2</sup>
Maks. śred. wiercenia Beton: . . . . .	∅ 20 mm
Maks. śred. wiercenia Drewno: . . . . .	∅ 20 mm
Maks. śred. wiercenia Stal: . . . . .	∅ 10 mm

## UTYLIZACJA



*Nie należy utylizować elektronarzędzi z odpadami domowymi.*

Narzędzie z napędem elektrycznym jest dostarczane w opakowaniu celem zredukowania uszkodzeń w czasie transportu. Opakowanie jest surowcem i jako takie może zostać ponownie użyte lub ponownie przetworzone. Narzędzie z napędem elektrycznym i jego akcesoria wykonane są z różnych materiałów, takich jak metale i tworzywa sztuczne. Uszkodzone elementy należy przekazać do specjalnych punktów gromadzenia odpadów. Informacje o nich można uzyskać w sklepie lub u władz lokalnych. Produkt i instrukcja obsługi mogą ulec zmianie. Dane techniczne mogą zostać zmienione bez wcześniejszego powiadomienia.

## Akumulatory

Podczas utylizacji akumulatorów brać pod uwagę środowisko naturalne. Aby uzyskać informacje na temat najbliższego punktu zbiórki odpadów, należy skontaktować się z jednostką władz samorządowych.

Nie należy utylizować akumulatorów z odpadami domowymi.

Nie należy utylizować akumulatorów przez spalanie, może to prowadzić do wybuchu.

## DEKLARACJA ZGODNOŚCI Z WYMOGAMI UE

Firma **Batavia B.V., Weth. Wassebaliestraat 6d, NL-7951 SN Staphorst**, oświadcza na własną odpowiedzialność, że produkt **Bezprzewodowa wiertarka udarowa SDS+, model BT-CRH001, pozycja nr 7062511**, jest zgodny z podstawowymi wymaganiami, które zostały określone w Dyrektywach Parlamentu Europejskiego i Rady dotyczących kompatybilności elektromagnetycznej **2014/30/UE (EMC)**, **2006/42/WE (maszynowej)**, **2011/65/UE (RoHS)** oraz poprawkach do nich. W celu oceny zgodności zastosowane zostały następujące normy zharmonizowane:  
**EN 60745-1:2009+A11,**  
**EN 60745-2-6:2010,**  
**AfPS GS:2019:01 PAK,**  
**EN 55014-1:2017,**  
**EN 55014-2:2015**

Staphorst, 7 czerwca 2021 r.

Meino Seinen, Przedstawiciel ds. QA  
 Batavia B.V., Weth. Wassebaliestraat 6d,  
 7951 SN Staphorst, Holandia

# ONE BATTERY FOR 30+ TOOLS

## MAXPACK 18V

Cordless collection

# 30+ TOOLS



# BATAVIA

## 2 YEAR WARRANTY

### This product has got a 2 year warranty

Dear Client, if for any reason this product is not working, please ensure you contact our **Client Service Centre**. Ensure you have your original receipt of purchase. This warranty covers all defects in workmanship or materials in this Batavia product for a two year period from the date of purchase. The warranty does not cover any malfunction, or defect resulting from misuse, neglect, alteration, or repair.

### Dieses Produkt hat 2 Jahre Garantie

Sehr geehrter Kunde, unsere Produkte unterliegen einer strengen Qualitätskontrolle. Sollte dieses Gerät nicht einwandfrei sein, so wenden Sie sich bitte immer zuerst an unseren **Kunden-Service**. Bitte bewahren Sie unbedingt den Kaufbeleg auf. Die Garantieleistung gilt nur für Material- oder Fabrikationsfehler. Ausgeschlossen sind Mängel die durch häufigen Gebrauch, missbräuchlicher und unsachgemäßer Behandlung oder Gewaltwirkung verursacht worden sind.

### Ce produit a 2 ans de garantie

Cher client, Si pour une raison quelconque, ce produit ne fonctionne pas, veuillez contacter notre **Centre de service après-vente**. Conservez le bon d'achat original. Cette garantie couvre tous les défauts de matériau et de main d'œuvre constatés sur ce produit Batavia pendant une période de deux ans à compter de la date d'achat. Les défauts de fonctionnement et autres résultant d'abus ou de mauvais emploi, de négligence, de modifications ou réparations non autorisées sont exclus de la garantie.

### Dit product heeft 2 jaar garantie

Geeachte klant, onze producten ondergaan een streng kwaliteitscontrole proces. Wanneer dit product niet correct functioneert, wend u zich alstublieft altijd eerst tot onze **klantenservice**. Bewaar altijd uw aankoopbewijs. De garantieverblijft is alleen van toepassing op materiaal- of productiefouten. Uitgesloten zijn gebreken veroorzaakt door intensief gebruik, misbruik en incorrecte behandeling of extern geweld.

### Questo prodotto è garantito per 2 anni

Gentile Cliente, se per una qualche ragione il prodotto non funziona, La invitiamo a mettersi in contatto con il nostro **Centro Assistenza Clienti**. Si accerti di avere la ricevuta originale dell'acquisto. La garanzia copre tutti i difetti di fabbricazione o di materiale in questo prodotto Batavia per un periodo di 2 anni dalla data di acquisto. La garanzia non copre malfunzionamenti o difetti derivanti da uso inappropriato, improprio, da modifiche o riparazioni.

### Este producto tiene dos años de garantía

Estimado cliente: si por cualquier razón este producto no funciona, póngase en contacto con nuestro **Centro de Atención al Cliente**. Asegúrese de tener a mano la factura de compra original. Esta garantía cubre todos los defectos de mano de obra o materiales de este producto de Batavia por un periodo de dos años a partir de la fecha de compra. La garantía no cubre ningún mal funcionamiento o defectos resultantes del mal uso, negligencia, alteración o reparación.


### Este produto tem uma garantia de 2 anos

Estimado Cliente, se, por qualquer motivo, este produto não estiver a funcionar devidamente, contacte o nosso **Centro de Apoio ao Cliente**. Certifique-se de que possui a prova de compra original. Esta garantia cobre todos os defeitos de fabrico ou materiais do produto Batavia durante um período de dois anos, a contar da data de compra. A garantia não cobre quaisquer avarias ou defeitos resultantes de um uso indevido, negligência, modificações ou reparações.

### Produkt posiada 2-letnią gwarancję.

Szanowny Kliencie! Jeśli z jakiegokolwiek powodu niniejszy produkt nie działa, prosimy skontaktować się z naszym **Centrum obsługi serwisowej**. Upewnij się, że posiadasz oryginalny dowód zakupu. Niniejsza gwarancja obejmuje wszystkie wady produkcyjne i materiałowe w produktach Batavia przez okres dwóch lat od daty zakupu. Gwarancja nie obejmuje żadnych usterek lub uszkodzeń wynikających z nieprawidłowego użycia, zaniedbania, modyfikacji lub naprawy.

**Deutschland – Kundenservice – Montag bis Freitag von 9 bis 17 Uhr**

 **01805 937 832\***

**Other European countries – Customer Services /**

**Autres pays d'Europe – Service clientèle /**

**Overige landen Europa – Klantenservice**

Monday till Friday from 8 am until 4 pm / Lundi jusqu'à Vendredi de 9 – 17 heure / Maandag t/m vrijdag van 9 tot 17 uur

 **00800 664 774 00**



\*Nur €0,14 /Minute aus dem dt. Festnetz,  
max. €0,42/Minute aus den Mobilfunknetzen

**Model: BT-CRH001**  
**Item-No.: 7062511**  
**www.batavia.eu | info@batavia.eu**

7062511/3

**BATAVIA B.V. | Weth. Wassebaliestraat 6d | 7951SN Staphorst | Netherlands**