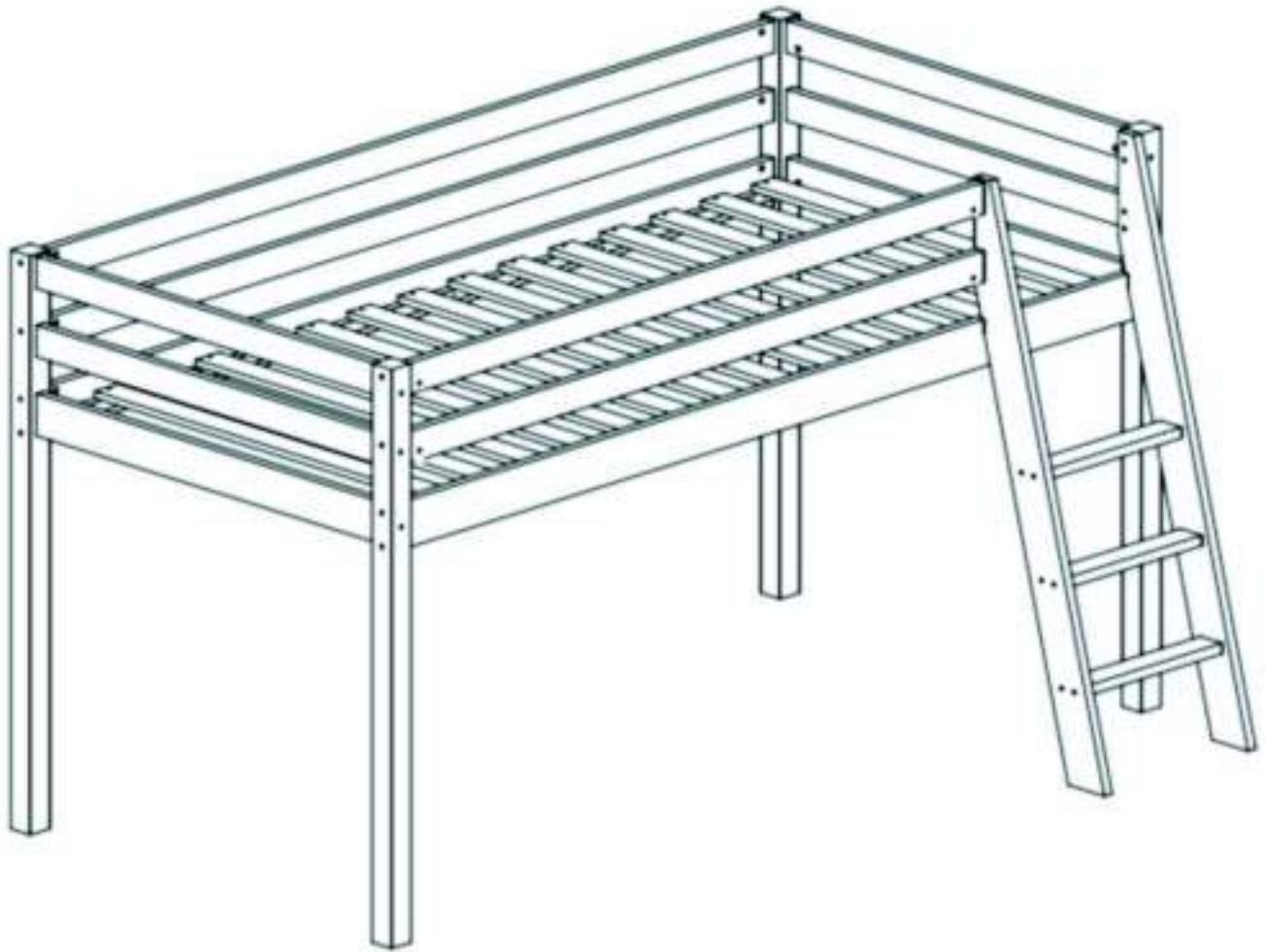






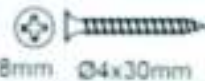




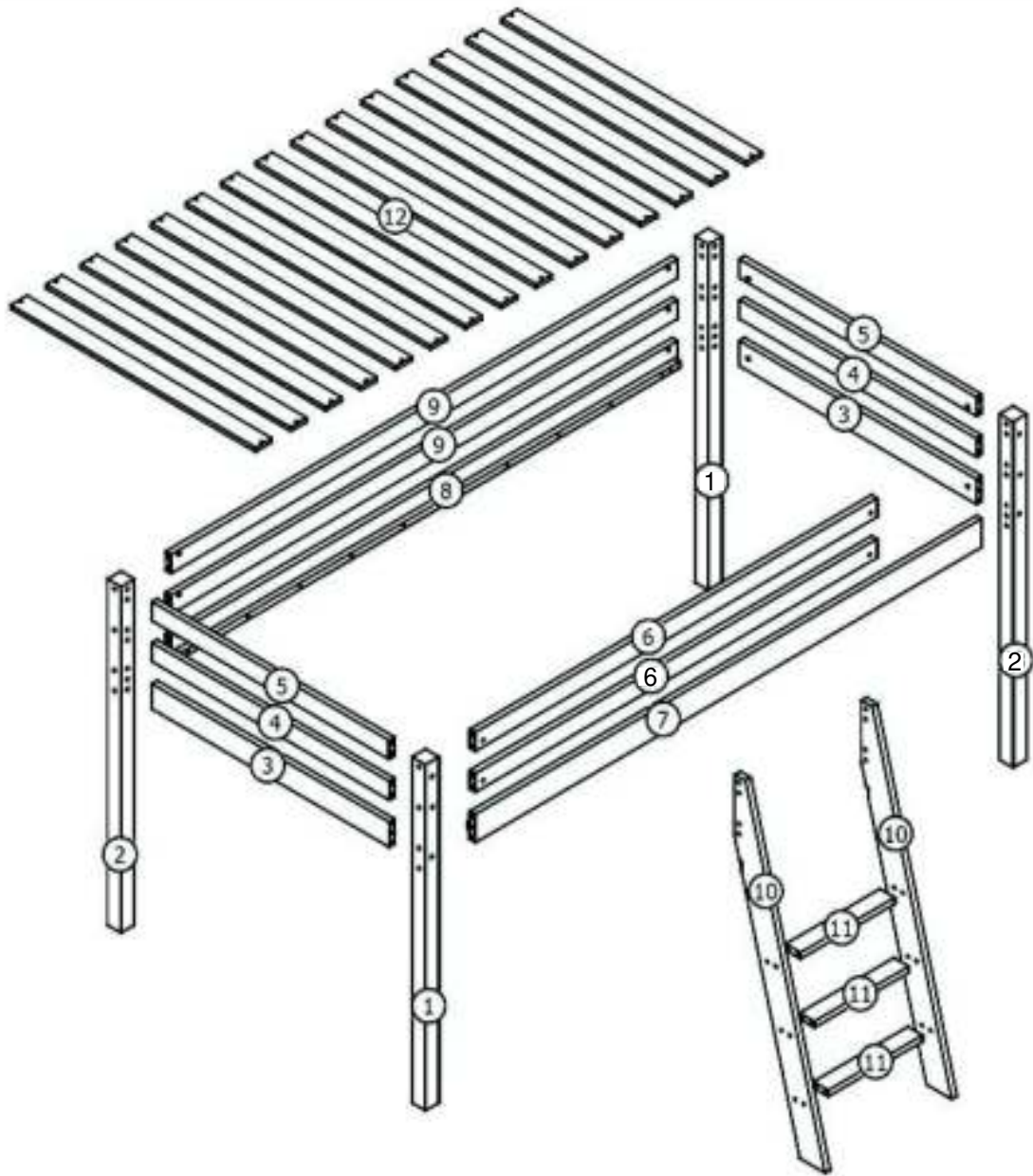
200*90CM



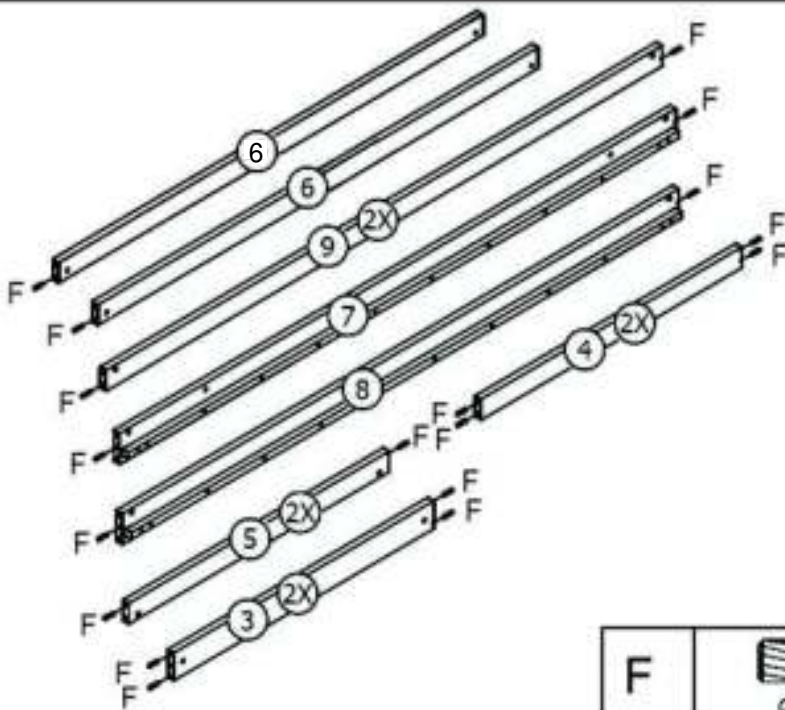
HARDWARE

A	 15mm M6x90mm	22
B		24
D	 15mm M6x60mm	04
E	 15mm M8x20mm	02

F	 Ø8x30mm	34
G		02
H	 8mm Ø4x30mm	26
I	 15mm ø6x60mm	12
J	 Φ7x50mm	01

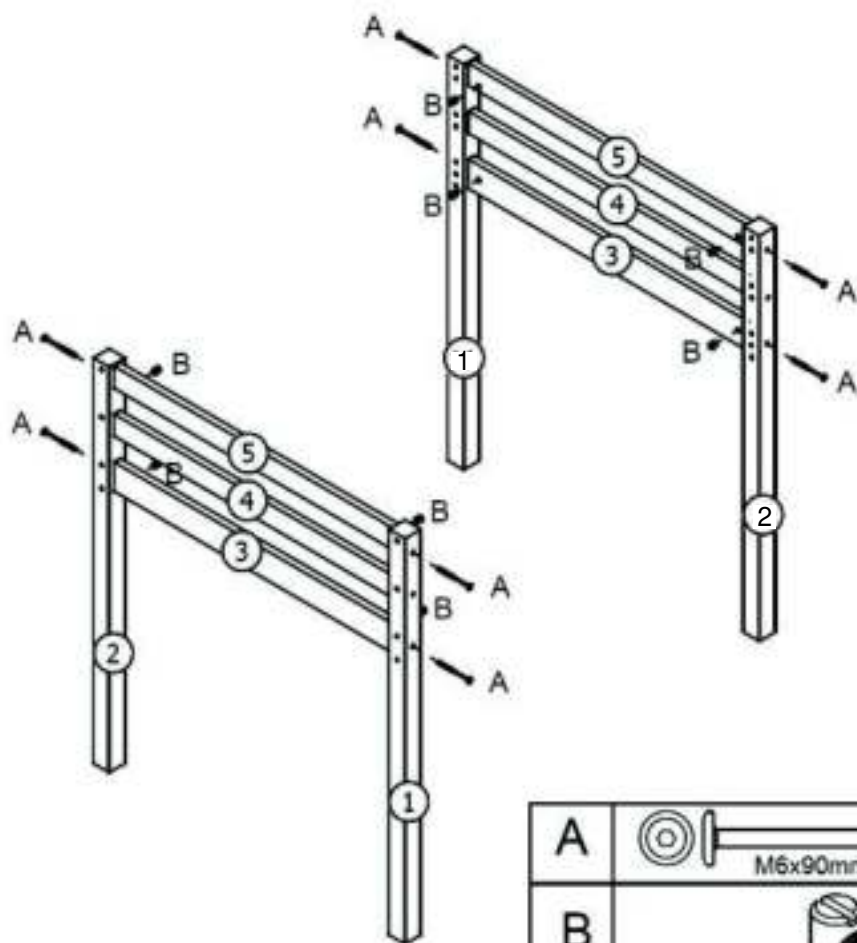




01



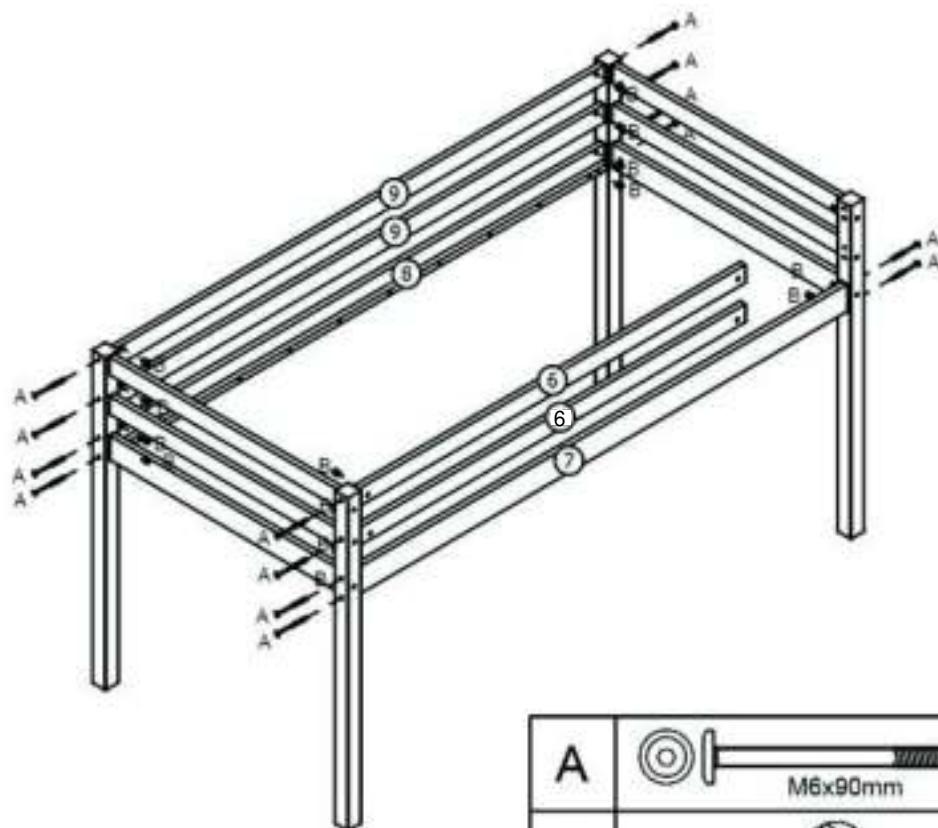
F	 Ø8x30mm	30
---	--	----



02



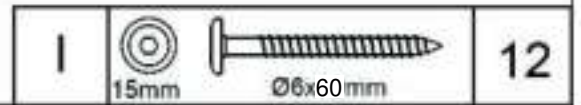
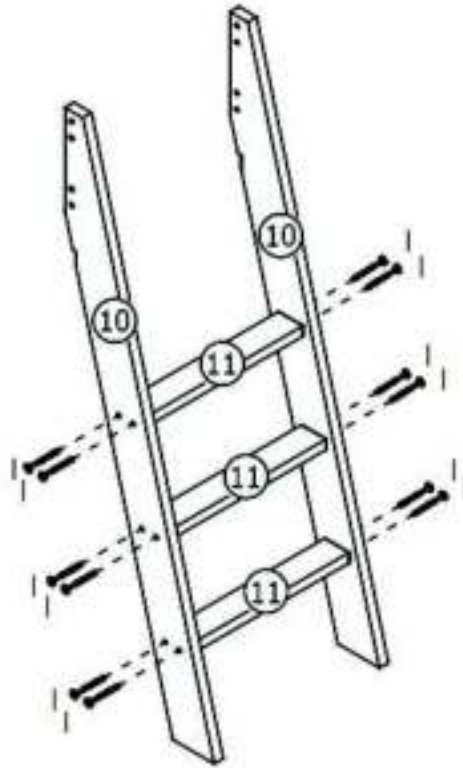
A	 M6x90mm	08
B		08

03

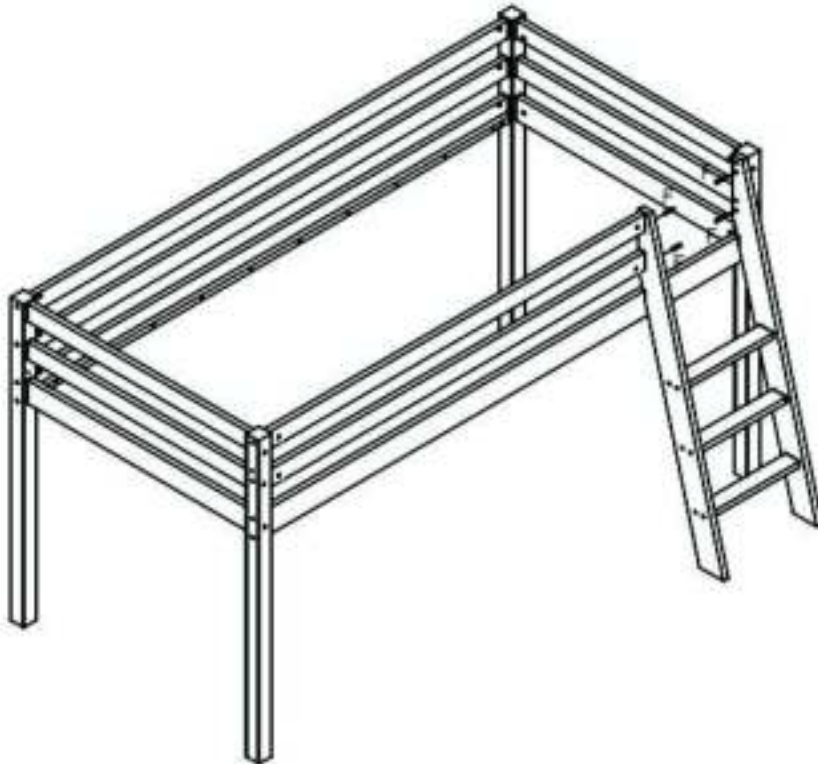


A	 M6x90mm	14
B		14

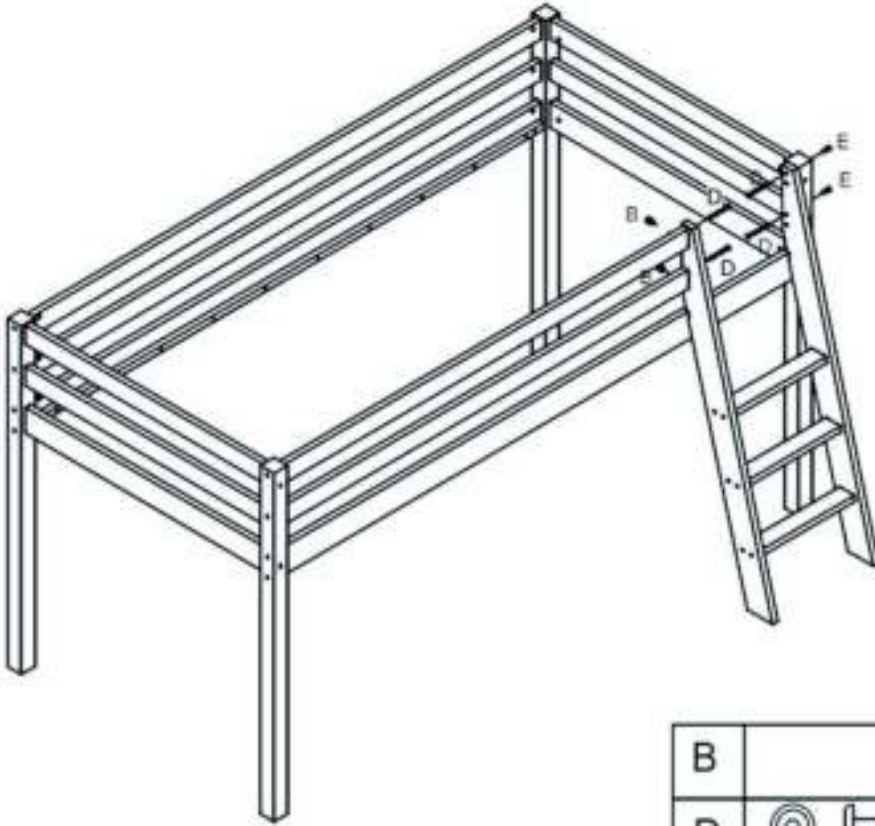
04





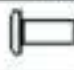


05




06



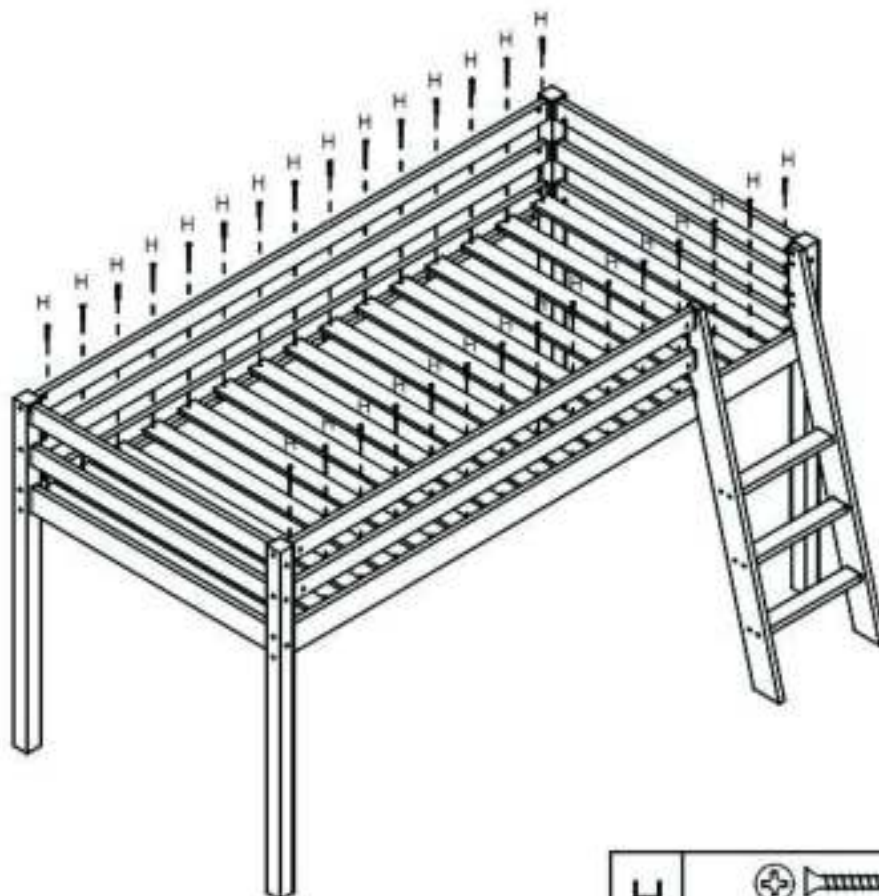
B		02
D	 	04
E	 	02

07

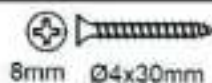


J		01
---	---	----

08



H



26

Attaching the Curtains

When attaching the Velcro strips to the side of the bed please ensure the area is completely free from any dust or dirt.

If necessary clean the surface before sticking the adhesive backing to the frame of the bed.

When attaching the adhesive backing to the frame put pressure on the strip to ensure it sticks to the frame.

If the backing is stubborn to stick to the frame you can use superglue, staple or nail the adhesive backing to the frame to ensure it sticks firmly on the bed frame.