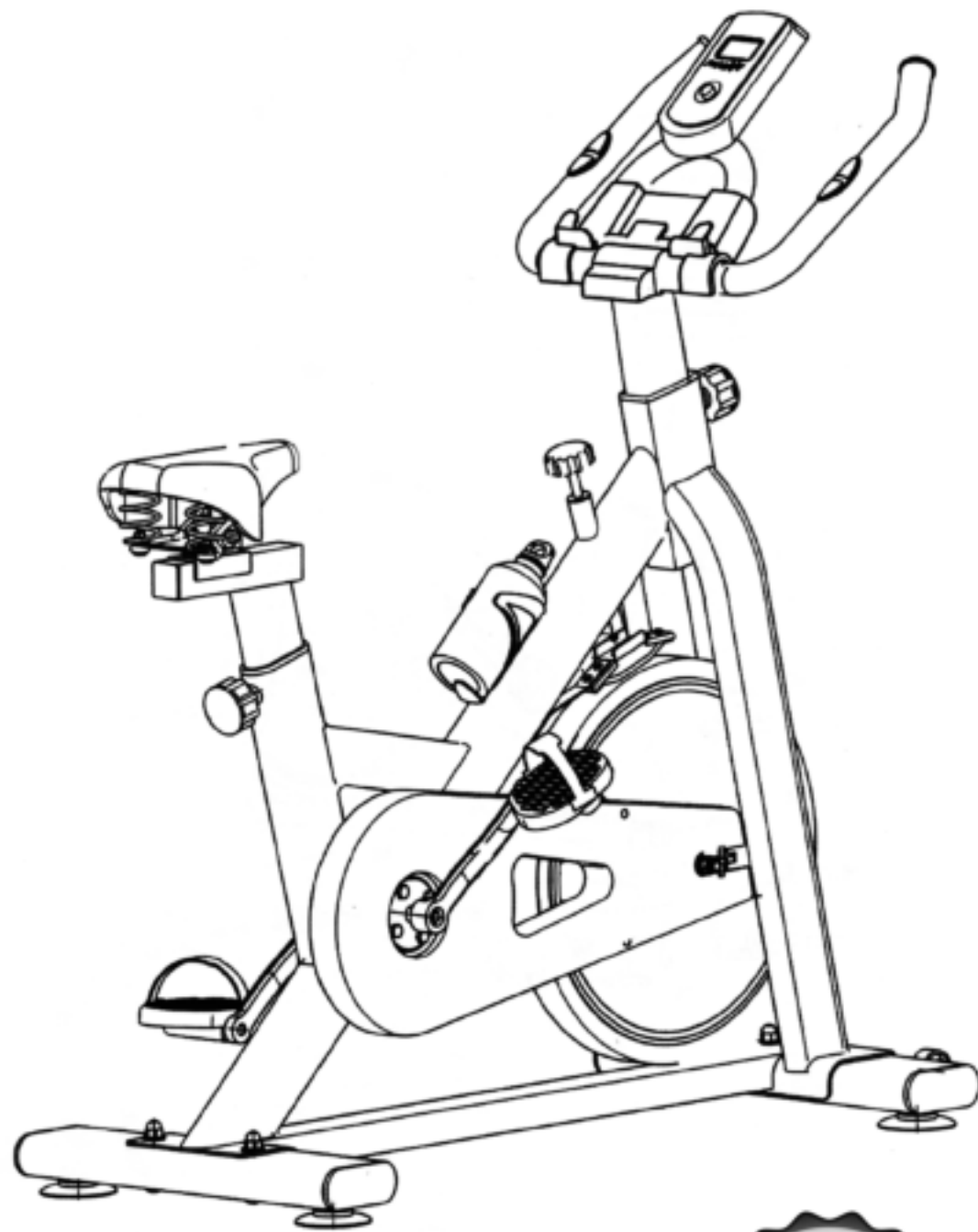


MBB
MAGIC BODY BUILDER
Best fit for exercise

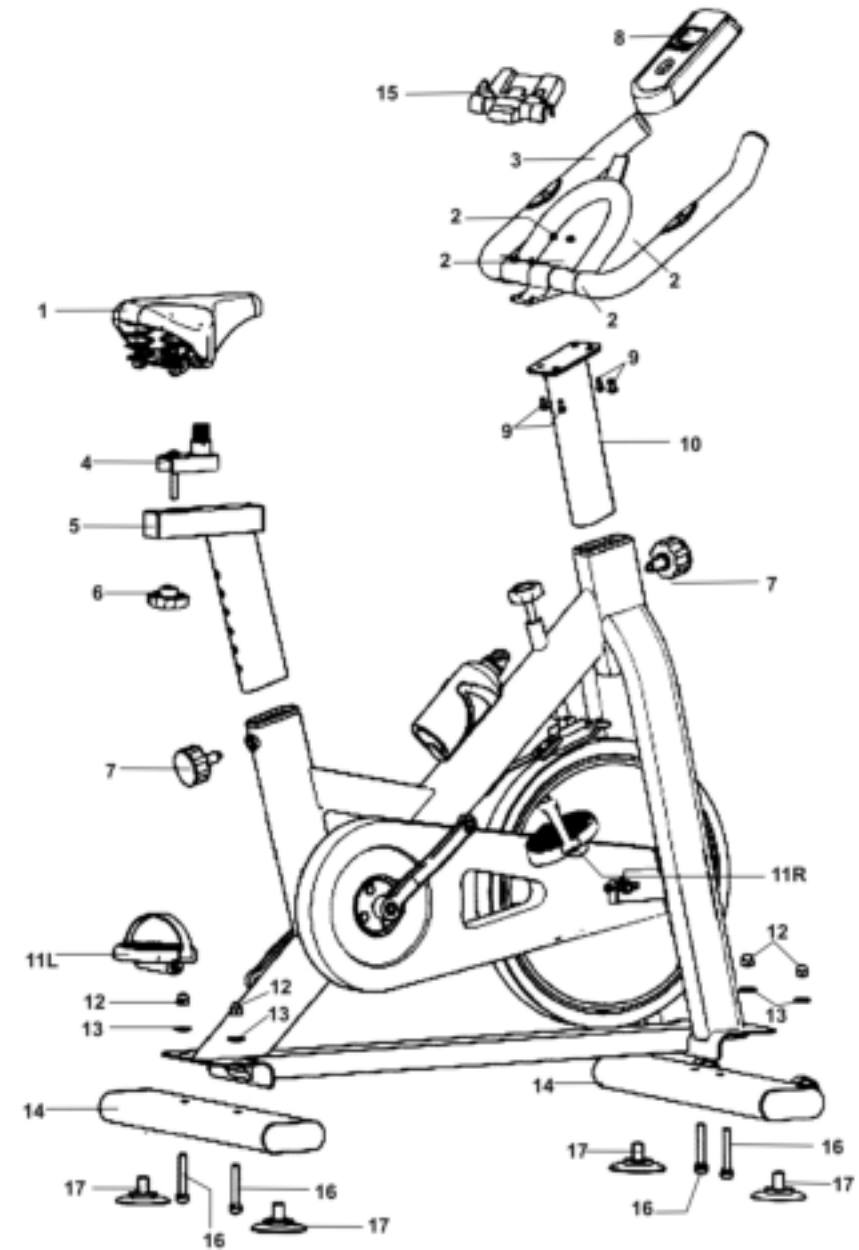


SPIN BIKE

LS-601E



Patented In 122 Countries
Global Customs Co-Fighting Against Infringement



PART LIST

NO.	DESCRIPTION	SIZE	QTY
16	Carrage bolt	M8x50	4
13	washer	08	4
12	Cap nut	M8	4
14	Rear foot tube		1
17	Adjustable foot screw		4
11L	Left pedal		1
11R	Right pedal		1
14	Front foot tube		1
7	Knob		1
7	Knob	Torx	1
6	Cushionknob		1
5	Cushion lifting pipe		1
4	Cushion soleplate		1
1	Cushion		1
10	Lifting pipe		1
3	handlebar		1
15	Mobilephonebracket		1
8	Digital watch		1
9	Hand bolt	M6	4
2	Nut	M6	4

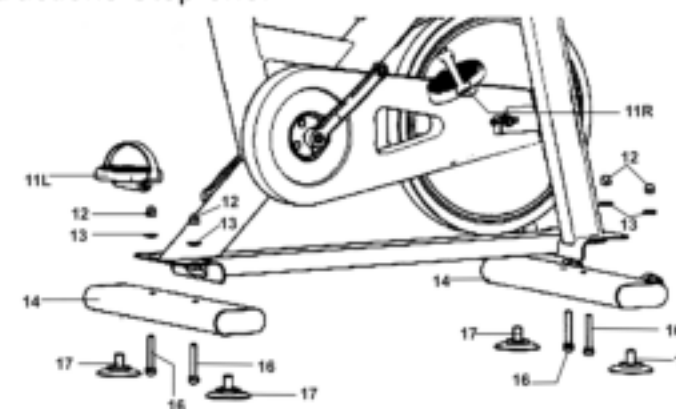
ATTENTIONS

Before you do any exercise program, it is recommended that you consult your doctor first. Check that all bolts on the equipment are locked. Do not expose the equipment to damp places, which will cause trouble. (Any failures and injuries are caused by the above reasons, we do not bear any responsibility) before starting the exercise, please wear sports clothes and sports shoes. Any strenuous exercise can only be started after 40 minutes after a meal. In order to prevent injury, please warm-up before exercising. People with high blood pressure should consult a doctor before exercising. Do not insert any other items in any part of the equipment that will damage the equipment.

MAINTENANCE INSTRUCTIONS

the scope of warranty coverage: the product in the correct maintenance of the case, the normal use of occasional non man-made damage. The warranty card is limited to the original purchaser and cannot be transferred. Second, the warranty period Household- Steel frame 3 Year warranty . Other parts warranty 12 months Third, the following conditions are not covered by the warranty. As a result of abuse, negligence, accidents or unauthorized modification caused by damage. Damage caused by abnormal maintenance, other irregularities and the resulting damage.

Assemble Instructions Step one:

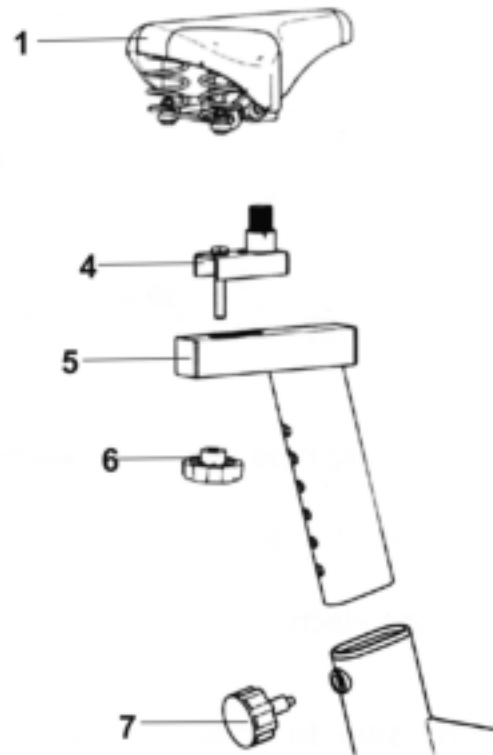


Open the box, remove the above material from the case, and place the main frame flat on the ground. Using an open wrench, the semicircle

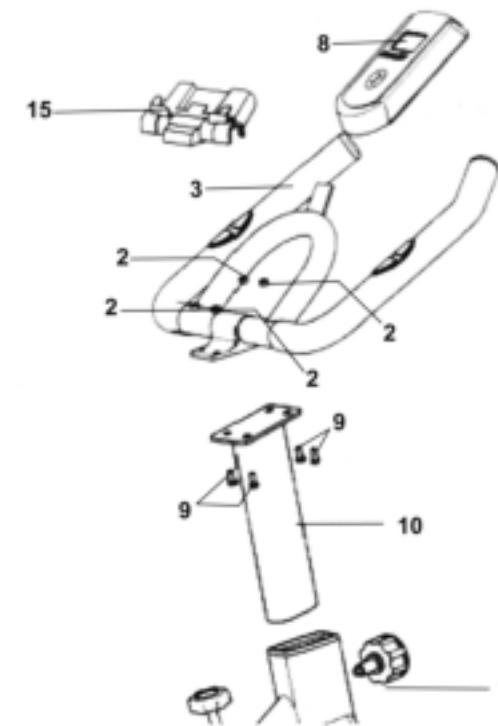
head square neck bolts (16) are put on the washer (13), the cover nut (12) respectively the forefoot tube 14) and the hind leg tube are locked in the

main frame (14)

Step two:



1. Insert (5) cushion lifting pipe into main frame. Unscrew the (7) Pull knob. Cushion (1) is locked in the cushion mounting seat (4), pad on the large flat pad (3), with (6) Nut lock on (5) Cushion lifting tube. The left L, right R pedal respectively locked in the main frame . (Note that the left and right, and then the thread to tighten)



Third step:

1) Insert (10) The lifting pipe into the main frame. Lock (7) Draw knob. The (3) hand tube (9) bolt, (2) nut is installed in (2) hand to install the electronic meter of the lifting pipe (8) handle. Please note: Be sure to confirm all according to the above requirements of the part and after installation and then unified locking all the Bolts In accordance with the instructions or the contents of the notice, in the normal use of the company's products failure, the company will have (from the date of purchase) 7 days of replacement, steel three years, accessories one year free maintenance, life-long maintenance! The company will charge the cost of accessories

for the failure of the products exceeding the warranty period. In case of failure, please contact the seller promptly, do not arbitrarily demolition.

During the warranty period, the actual cost should be charged in case of failure caused by the malfunction caused by the failure of the user, such as the faulty fire, flood, etc.