
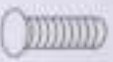
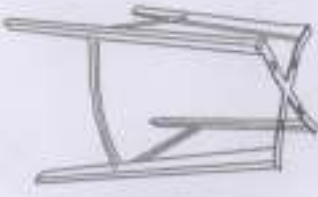


ASSEMBLING INSTRUCTION

1) x1 	(3) x4 
2) x1 	(4) x1 