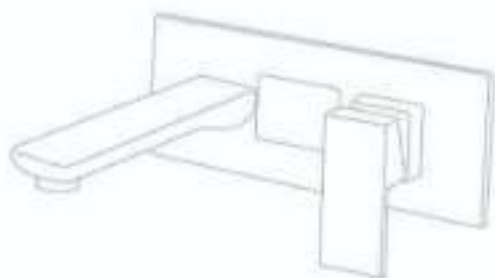


# Product Installation Instructions

Suitable for LED concealed basin faucet



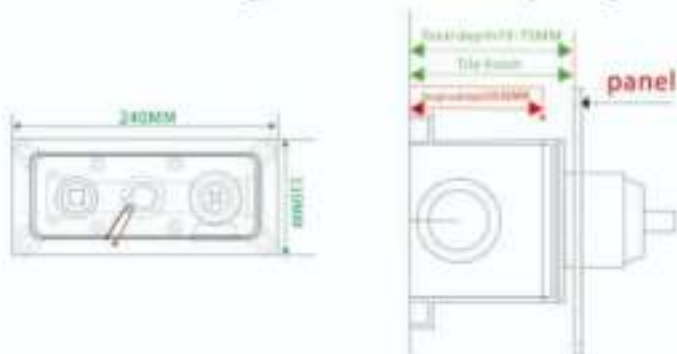
## Installation Manual

### 1. Before starting, cut out the embedded box and water pipe groove on the rough wall.

(The depth of the embedded box and the blank wall is 50-60MM, please decide the installation according to the actual thickness of the ceramic tile)



#### Dimension drawing of embedded box opening



2

### • Installation matters

- (1) Check that the product is in good condition and the accessories are complete.
- (2) Prepare appropriate installation tools.
- (3) Before installation, clean the sundries in the water pipe. Avoid clogging the shower body or even damaging the ceramic spool.
- (4) The direction of the cold and hot water pipes of the basin must be properly connected. Connect cold water on the right and hot water on the bottom.

### • Technical Parameters

- (1) Working water pressure: 0-15kg
- (2) Safe working water pressure: 0-8kg
- (3) Hot water temperature: 0ct<90C°

### • Quality assurance

- (1) Warranty range: 10 years warranty for the copper body of the basin, 5 years warranty for the valve core, and 2 years warranty for other accessories.
- (2) Warranty way: During the warranty period, leak or drip during normal use. The company is responsible for replacement parts and maintenance. If the damage is caused by improper use, the user shall handle it by himself.

### • Product maintenance knowledge

- (1) First clean the surface dirt with clean water and cotton cloth.
  - (2) Spray the cleaning agent (non-hard granular, acid-free) on the rag and wipe the surface with the rag.
  - (3) After cleaning, rinse the surface of the product with clean water, the surface residues, and wipe with a cotton cloth.
- Note: Do not wipe the product with steel balls or other hard objects that may damage the surface of the product.

### • Prepare appropriate installation tools



Box steel ball Hexagon screw Wrench Plumbing pliers Phillips screwdriver Tape measure

1

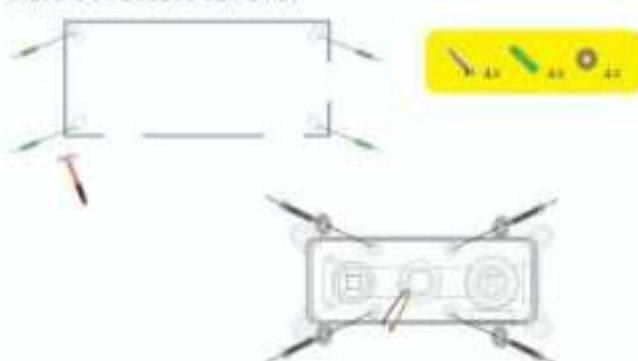
### 2. Connect the water pipe to the embedded box, connect cold water on the right and hot water below

Before connecting, it is necessary to clean the dirt and impurities inside the water pipe and accessories (enclose enough raw material tape at the joint).



### 3. Fix the embedded box on the wall

Use professional horizontal tools to adjust the angle to ensure that the embedded box is flat



3

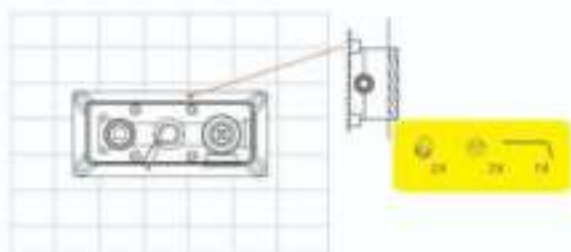
#### 4. Connect water pipes and joints in the wall

- (1) According to the size of the product, open the wall and dig well the main embedded hole and the inlet of the cold and hot water pipes.
- (2) Connect the cold and hot water inlet pipes to the embedded box respectively and tighten with a wrench.



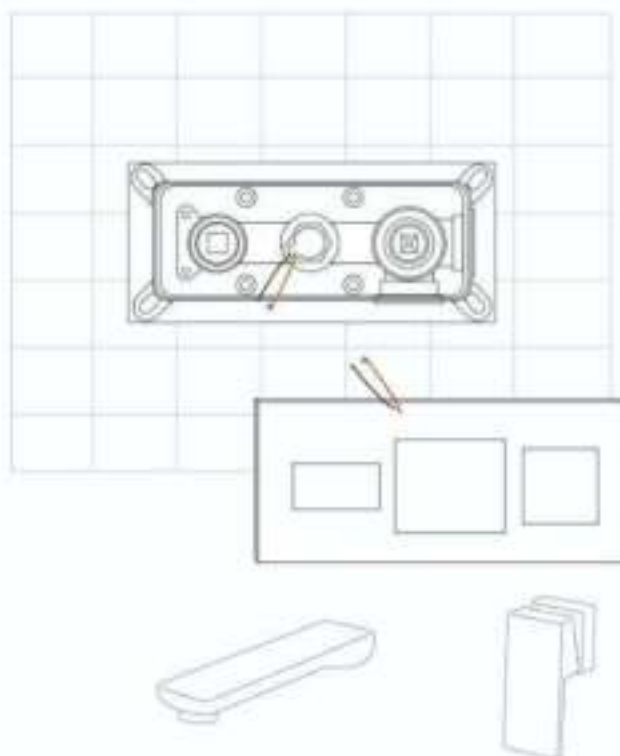
#### 5. Connection of Motor Valve Circuit

When installing the panel, first connect the power cord output from the motor to the power cord of the display on the panel (3 Root), connect the temperature control line on the motor to the temperature lead of the display (2 Root), and make sure the connector is firmly connected.



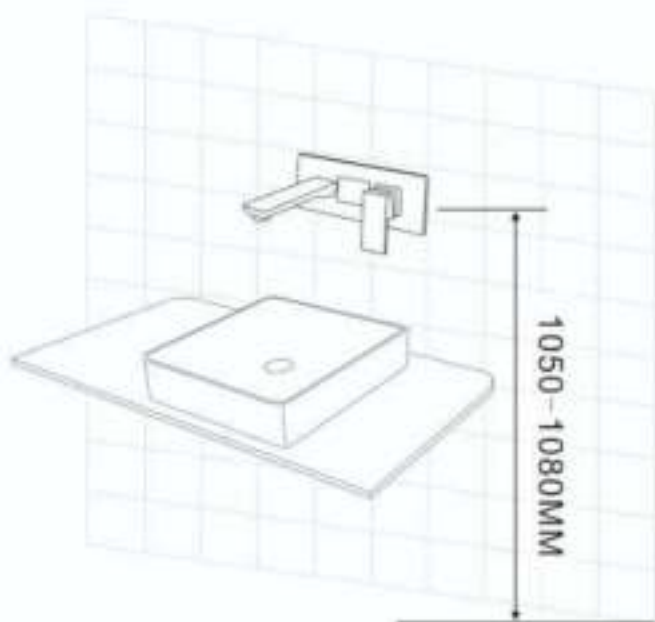
4

#### 6. Install the panel, handle and spout sequentially



5

#### 7. Installation dimensions



6

#### Description of the display

1. The power supply of the temperature display is generated by the hydraulic power generated by turning on the faucet, and the display screen is black when not in use.
2. The effect is more stable when the water temperature is 21°C and the water pressure is above 0.5kg

Real-time water temperature display

Single use time display



7