

Dell™ E-View Laptop Stand User's Guide

Notes, Notices, and Cautions



NOTE: A NOTE indicates important information that helps you make better use of your computer.



NOTICE: A NOTICE indicates either potential damage to hardware or loss of data and tells you how to avoid the problem.



CAUTION: A CAUTION indicates a potential for property damage, personal injury, or death.

Information in this document is subject to change without notice.

© 2008 Dell Inc. All rights reserved.

Reproduction in any manner whatsoever without the written permission of Dell Inc. is strictly forbidden.

Trademarks used in this text: *Dell*, the *DELL* logo.

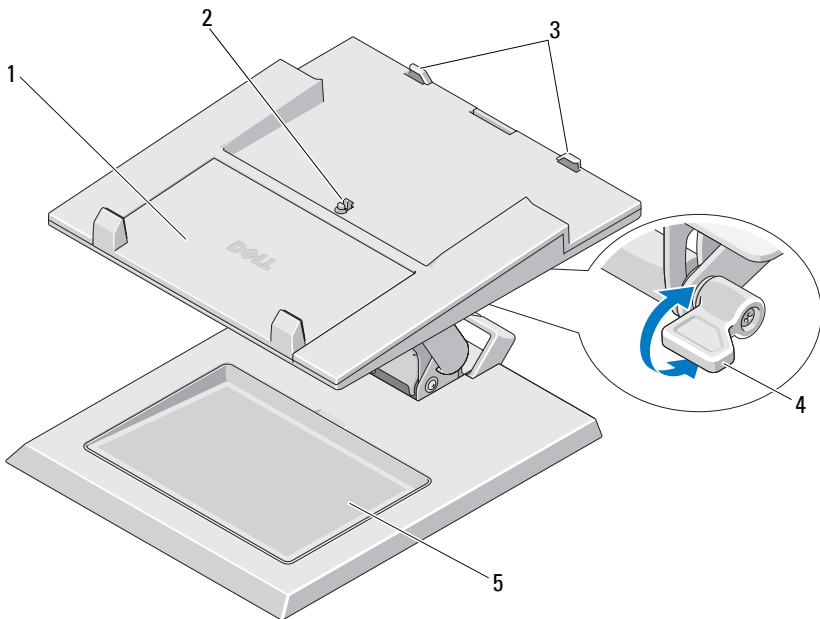
Other trademarks and trade names may be used in this document to refer to either the entities claiming the marks and names or their products. Dell Inc. disclaims any proprietary interest in trademarks and trade names other than its own.

Contents

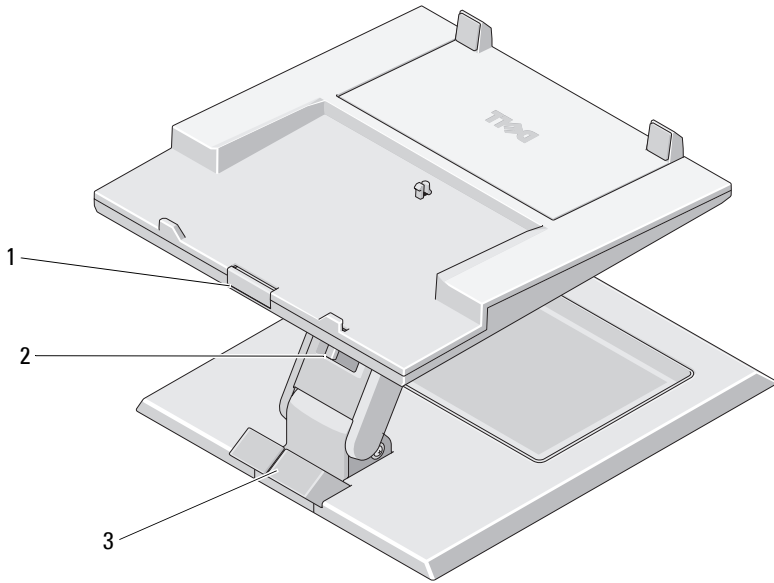
1	About Your Dell™ E-View Laptop Stand . . .	5
2	Using the E-View Laptop Stand	7
	Unlocking the Laptop Stand	7
	Adjusting the Height of the Laptop Stand	8
	Adjusting the Tilt of the Laptop Stand	9
	Moving the Laptop Stand From Side-to-Side	10
	Connecting the Laptop Stand to a Port Replicator	11
	Connecting a Laptop to a Port Replicator in the Laptop Stand	13
	Disconnecting a Laptop From a Port Replicator on a Laptop Stand	14
	Removing the Port Replicator From the Laptop Stand	15
3	Specifications	17
4	Finding Information	19

About Your Dell™ E-View Laptop Stand

The Dell™ E-View Laptop Stand supports E-Family laptop computers ranging in size from 12.1 inches to 17 inches.



- | | | | |
|---|---------------------------------|---|---------------------------------|
| 1 | size adjustment tray for laptop | 2 | release tab for port replicator |
| 3 | guide stops for port replicator | 4 | tilt lock |
| 5 | removable tray | | |



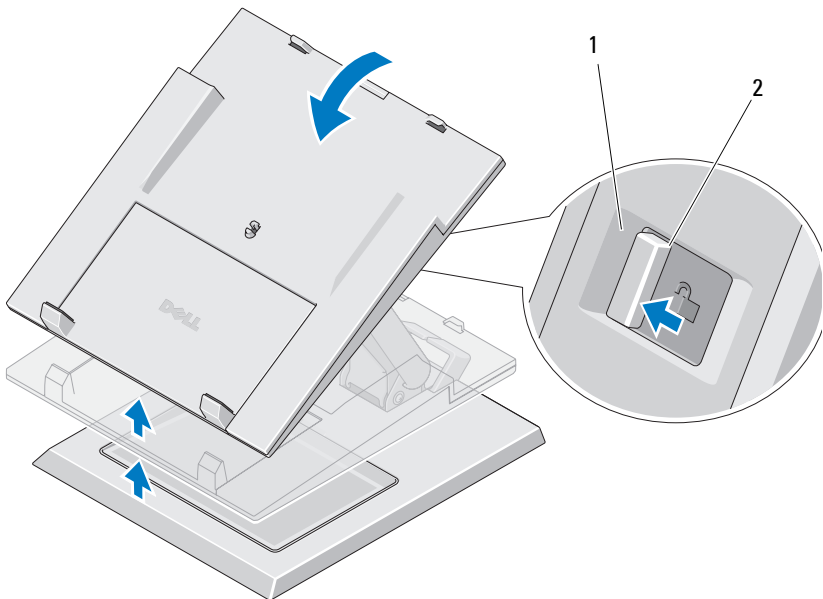
- 1 release button for port replicator
- 2 height adjustment lock/unlock switch
- 3 cable holder

Using the E-View Laptop Stand

Unlocking the Laptop Stand

The laptop stand ships in the locked position. To unlock the laptop stand:

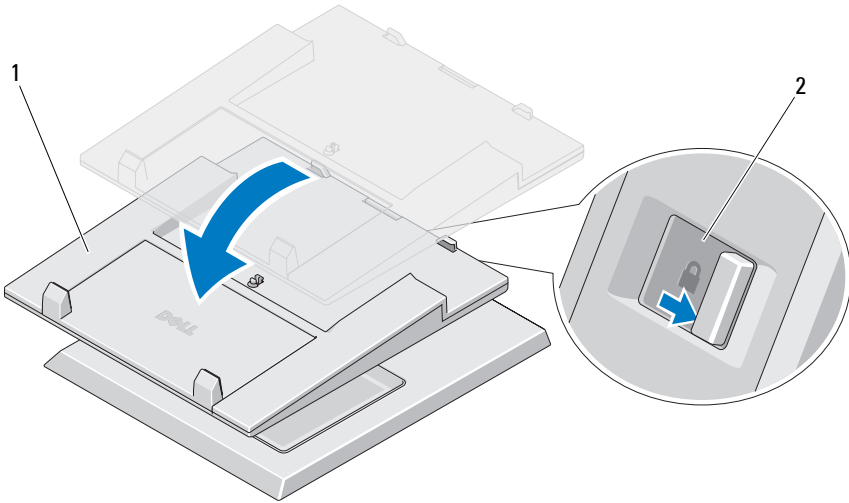
- 1 Push down on the front of the laptop stand to tilt it forward.
- 2 Move the lock/unlock switch to the unlocked position.



- 1 lock/unlock switch 2 unlocked position

Adjusting the Height of the Laptop Stand

- 1 Lift or lower the top of the laptop stand to the desired height.
- 2 Move the lock/unlock switch to the locked position to lock the laptop stand in place.

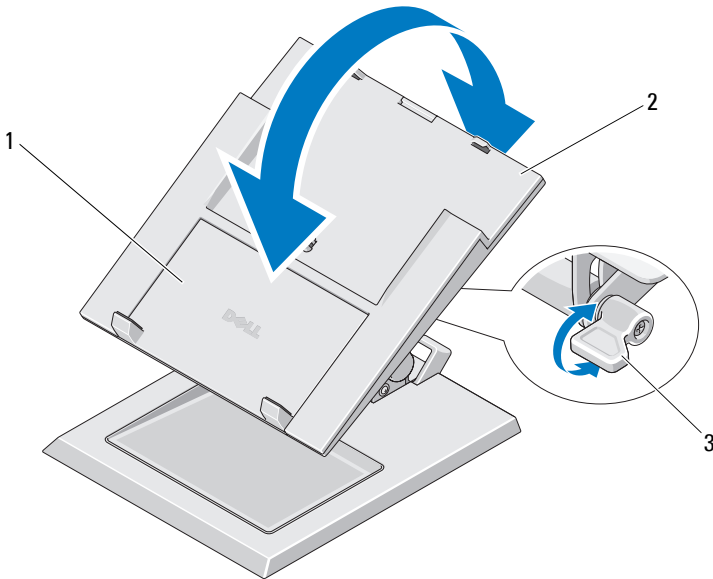


1 top of laptop stand 2 locked position

Adjusting the Tilt of the Laptop Stand

In addition to adjusting the height of the laptop stand, you can also tilt the stand forward.

- 1 Turn the tilt lock counter-clockwise.
- 2 Push down on the front of the laptop stand while simultaneously lifting the back of the laptop stand to tilt it forward to the desired angle.
- 3 Turn the tilt lock clockwise to lock the stand in place.

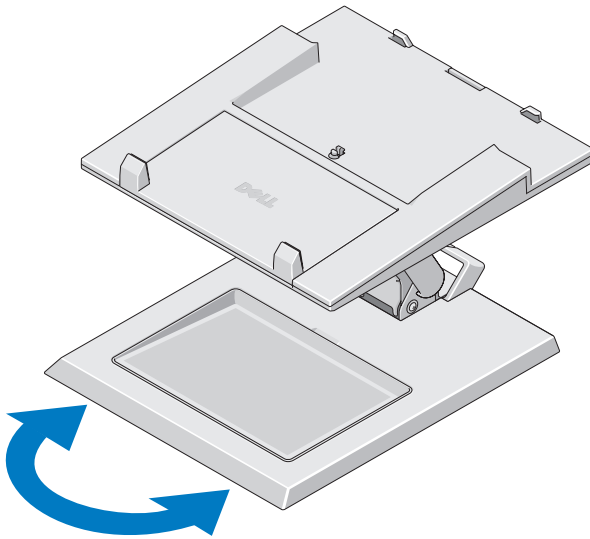


- 1 front top of laptop stand
- 2 back of laptop stand
- 3 tilt lock

2 back of laptop stand

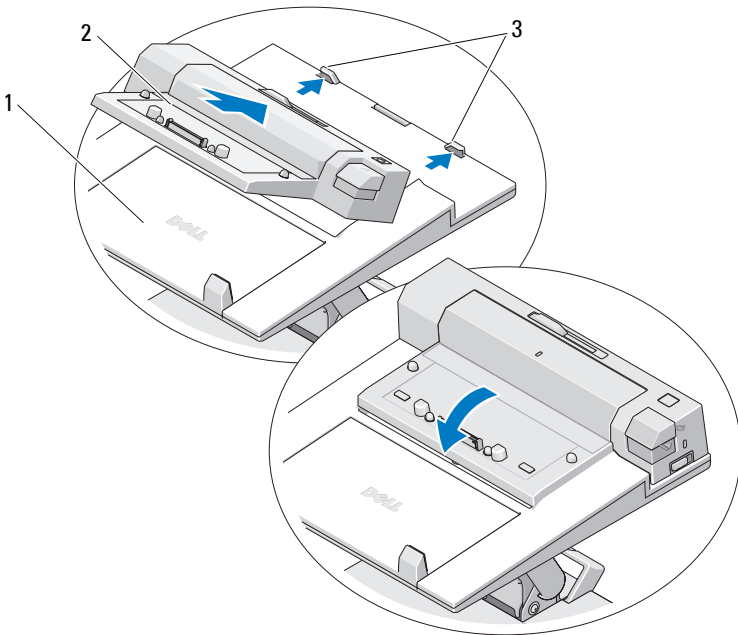
Moving the Laptop Stand From Side-to-Side

You can move the laptop stand from side-to-side from the front of the base.



Connecting the Laptop Stand to a Port Replicator

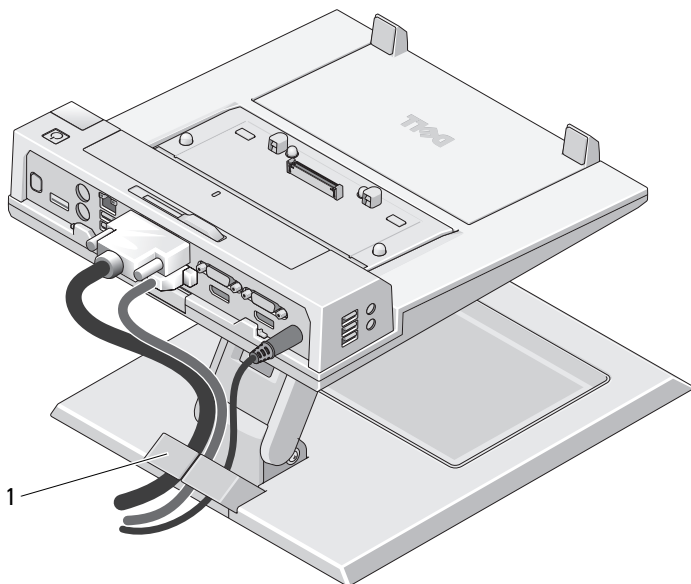
- 1 With the front of the port replicator raised slightly, slide the port replicator toward the back of laptop stand until the port replicator rests against the guide posts.
- 2 Push down on the port replicator to secure it to the release tab on the laptop stand.



- | | | | |
|---|-----------------------------------|---|-----------------|
| 1 | top of laptop stand | 2 | port replicator |
| 3 | guide stops for the docking stand | | |

- 3 Follow the procedures for setting up your port replicator. See the *E-Port User's Guide* or the *E-Port Plus User's Guide* that shipped with your port replicator or on support.dell.com.

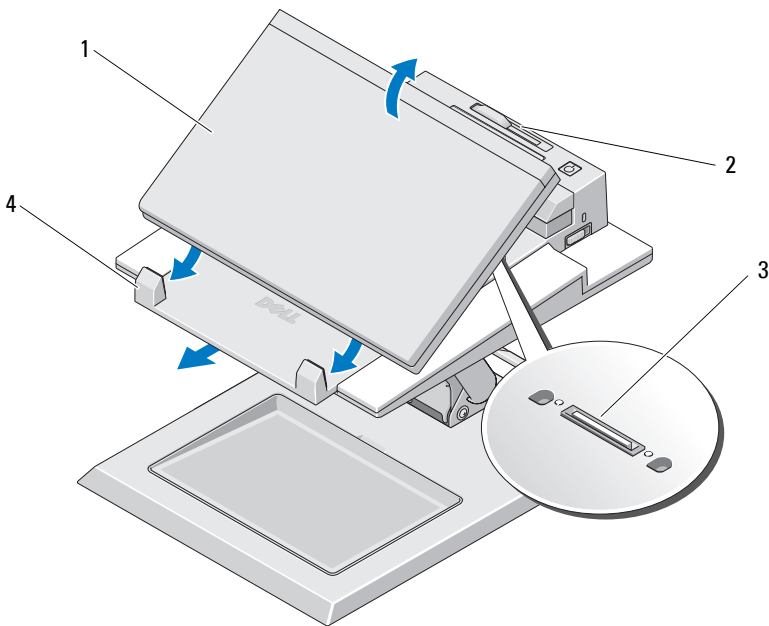
- 4 Route all cables through the cable holder.



- 1 cable holder

Connecting a Laptop to a Port Replicator in the Laptop Stand

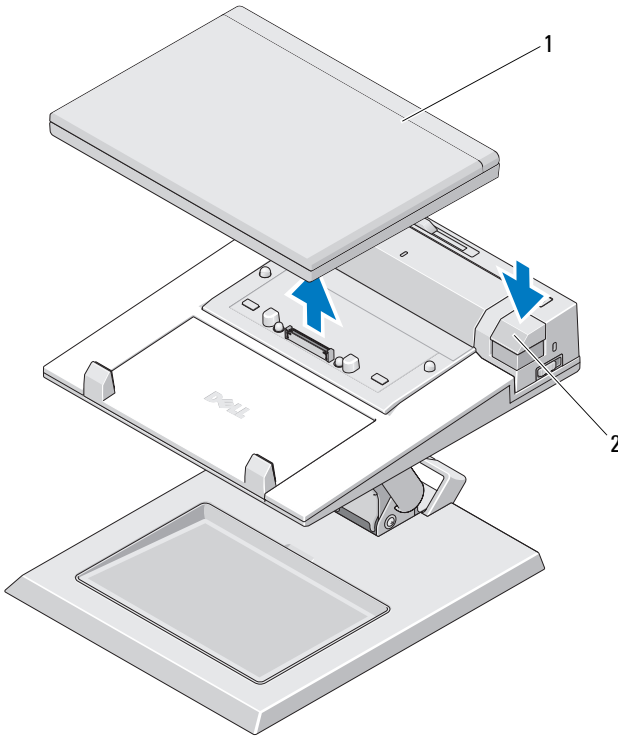
- 1 Hold the laptop at an angle and place the front of the laptop on the size adjustment tray.
- 2 Use your laptop to slide the tray out if you need to adjust the space to accommodate a larger laptop.
- 3 Center the laptop with port replicator and lower the back of the laptop onto the port replicator.
- 4 Push down on the laptop to connect the laptop to the port replicator. You should feel the laptop click into place.



- | | | | |
|---|-----------------------------------|---|-----------------------|
| 1 | laptop | 2 | battery size adjuster |
| 3 | port replicator docking connector | 4 | size adjustment tray |

Disconnecting a Laptop From a Port Replicator on a Laptop Stand

- 1 Push the laptop eject button on the port replicator.
- 2 Lift the laptop away from the port replicator and laptop stand.

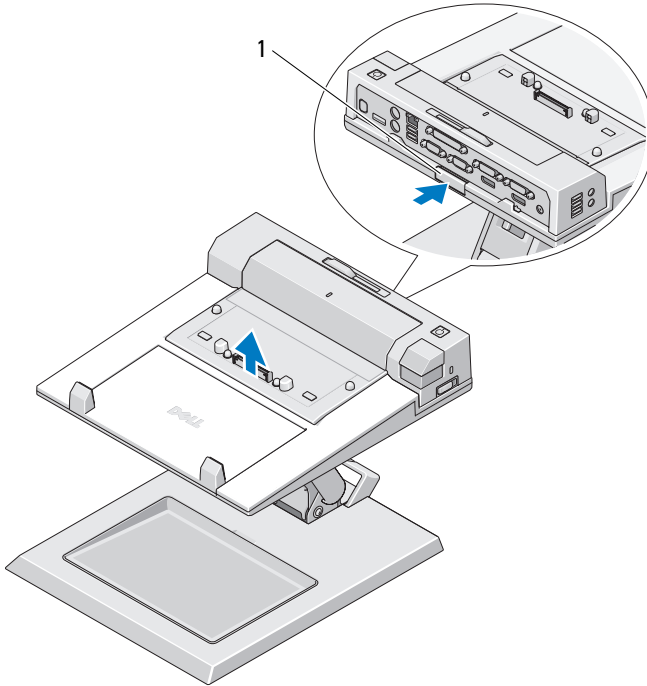


1 laptop

2 eject button on port replicator

Removing the Port Replicator From the Laptop Stand

- 1 Disconnect all cables from the port replicator.
- 2 Press the release button on the back of the laptop stand, then lift the front of the port replicator to release it from the release tab on the laptop stand.
- 3 Remove the port replicator from the laptop stand.



- 1 release button on laptop stand

Specifications

Physical

Height	102 mm (4.02 inches)
Depth	353 mm (13.90 inches)
Width	288 mm (11.34 inches)
Laptop Stand Weight	2.8 kg (6.17 lb)

Product Support Specifications

Laptop size	supports Dell™ 12.1–17 inch E-Family laptops
Laptop weight range	supports 1.0–5.0 kg (2.20–11.02 lb)
Port replicator sizes	supports Dell E-Family docking devices (E-Port and E-Port Plus)
Port replicator weight	1.0 kg (2.20 lb)

Product Features

Tilt adjustment range	tilt angle up= 0–2 degrees tilt angle down= –25 degrees \pm 1 degree
Height adjustment	104 mm \pm 4 mm (4.09 inches \pm 0.16 inch)
Side-to-side pan	full 360-degree rotation
Locking feature	includes a locking device that allows you to lock the height of the platform at the desired height.

Safety, Testing, and Environmental Specifications

Operating temperature	0°C to 40°C (32°F to 104°F)
-----------------------	-----------------------------

Finding Information

Documents	Contents
<p>Safety, Regulatory, Warranty, and Support Documentation</p> <p>This type of information may have shipped with your computer. For additional regulatory information, see the Regulatory Compliance Homepage on www.dell.com at the following location: www.dell.com/regulatory_compliance.</p>	<ul style="list-style-type: none">• Warranty information• Terms and Conditions (U.S. only)• Safety instructions• Regulatory information• Ergonomics information• End User License Agreement

