

RAZER™

PANTHERA



Arcade gaming has come a long way since its glory days – an era woven into the fabric of gaming history as one that paved the way for innovation, and also one that brought us bittersweet nostalgia. Hours spent at the arcade honed the gamer in you; for every coin you inserted, every combo you executed, every hit you took, and every ultra you unleashed in return – you became a better player. And this is the approach we took when designing the Razer Panthera Arcade Stick for PlayStation.

The original Razer Atrix arcade stick was built on years upon years of collective gaming experience from pro gamers and the Razer community alike, and was engineered and refined to perfection through countless prototypes via an extensive beta testing phase. The Razer Panthera arcade stick for PlayStation follows the same principle and has been crafted to allow the same advanced modification that gamers and modders have come to love over the years. With internals and storage easily accessible at the touch of a button, the joystick, all 10 buttons and the top panel are fully interchangeable for full customizability.

Featuring genuine Sanwa™ hardware and an ergonomically authentic arcade layout, the Razer Panthera Arcade Stick for PlayStation represents the pinnacle of precision and reliability and is the definitive arcade stick for tournament-grade gaming.

Forged from the fires of an arcade gaming legacy, the Razer Panthera Arcade Stick for PlayStation is, in the most primeval sense, Bred to Fight.

TABLE OF CONTENTS

- 1. PACKAGE CONTENTS / SYSTEM REQUIREMENTS..... 3
- 2. REGISTRATION / TECHNICAL SUPPORT 4
- 3. DEVICE LAYOUT 5
- 4. USING YOUR RAZER PANTHERA ARCADE STICK FOR PLAYSTATION 8
- 5. CUSTOMIZING YOUR RAZER PANTHERA FOR PLAYSTATION 13
- 6. SAFETY AND MAINTENANCE 21
- 7. LEGALESE..... 23

1. PACKAGE CONTENTS / SYSTEM REQUIREMENTS

PACKAGE CONTENTS

- Razer Panthera Arcade Stick for Playstation®
- 4m / 13.12ft. Detachable Braided Cable
- Breakaway Cable
- Flat Tip and Cross Tip Screwdriver
- Ball Top Joystick Grip
- Bat Top Joystick Grip

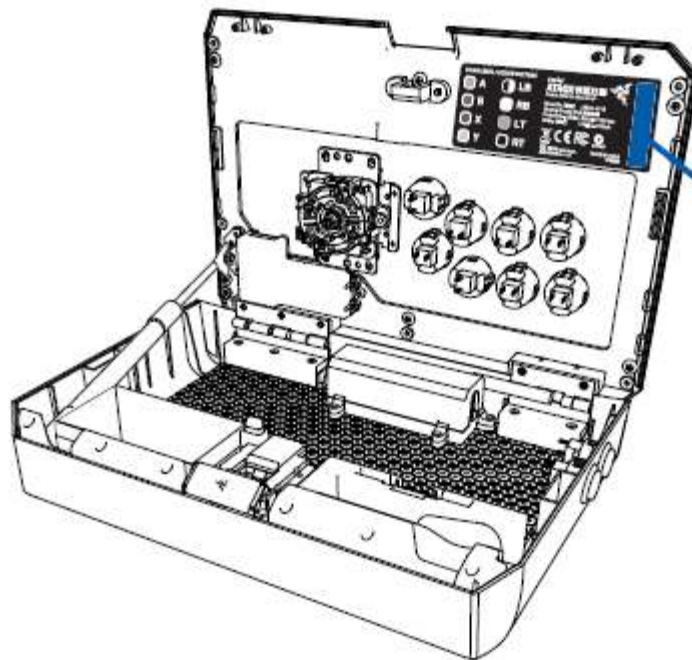
SYSTEM REQUIREMENTS

- PlayStation®3 / PlayStation®4 / PC (Windows 7 and above)
- A free USB port

2. REGISTRATION / TECHNICAL SUPPORT

REGISTRATION

Sign up now for a Synapse account to get real-time information on your product's warranty status. To learn more about Synapse and all its features, visit razerzone.com/synapse. If you are already a Synapse user, register your product by clicking on your email address at the Synapse application and select *Warranty Status* from the dropdown list. To register your product online, visit razerzone.com/registration. Please note that you will not be able to view your warranty status if you register via the website.



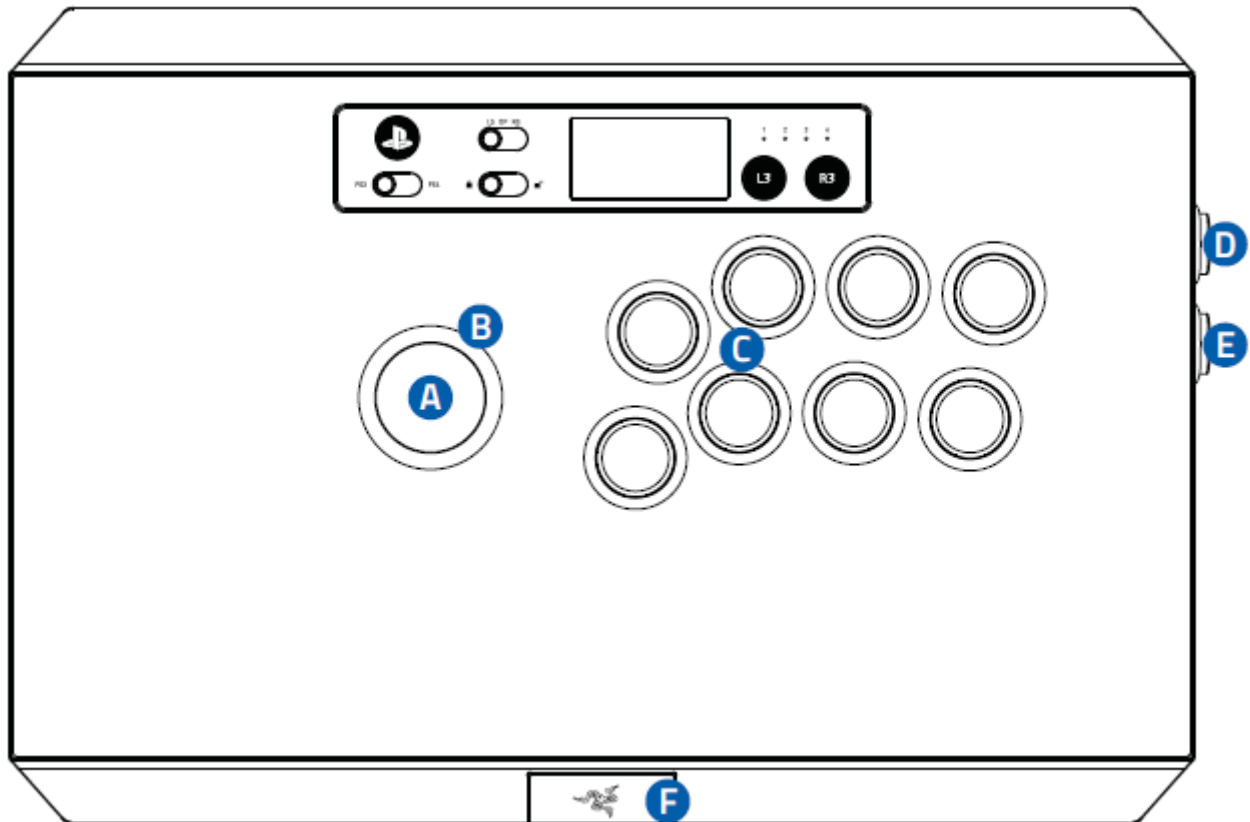
*Your product's serial number
can be found here.*

TECHNICAL SUPPORT

What you'll get:

- 1 year limited manufacturer's warranty.
- Access to manual and free online technical support at razersupport.com.

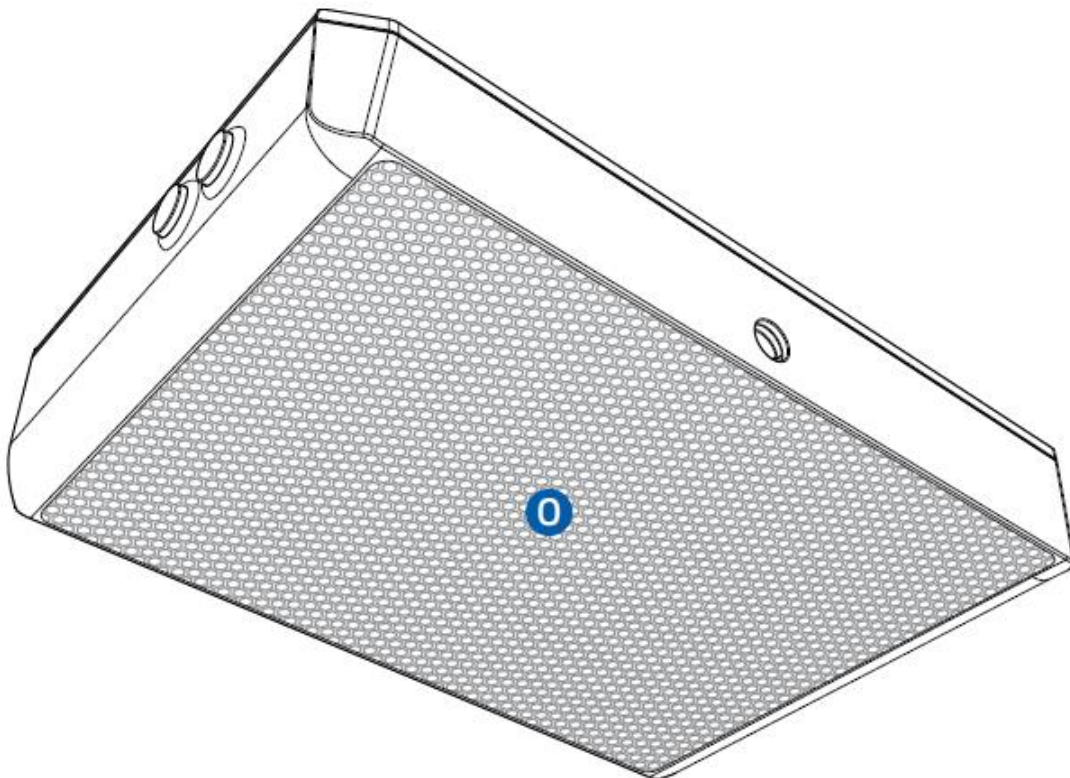
3. DEVICE LAYOUT



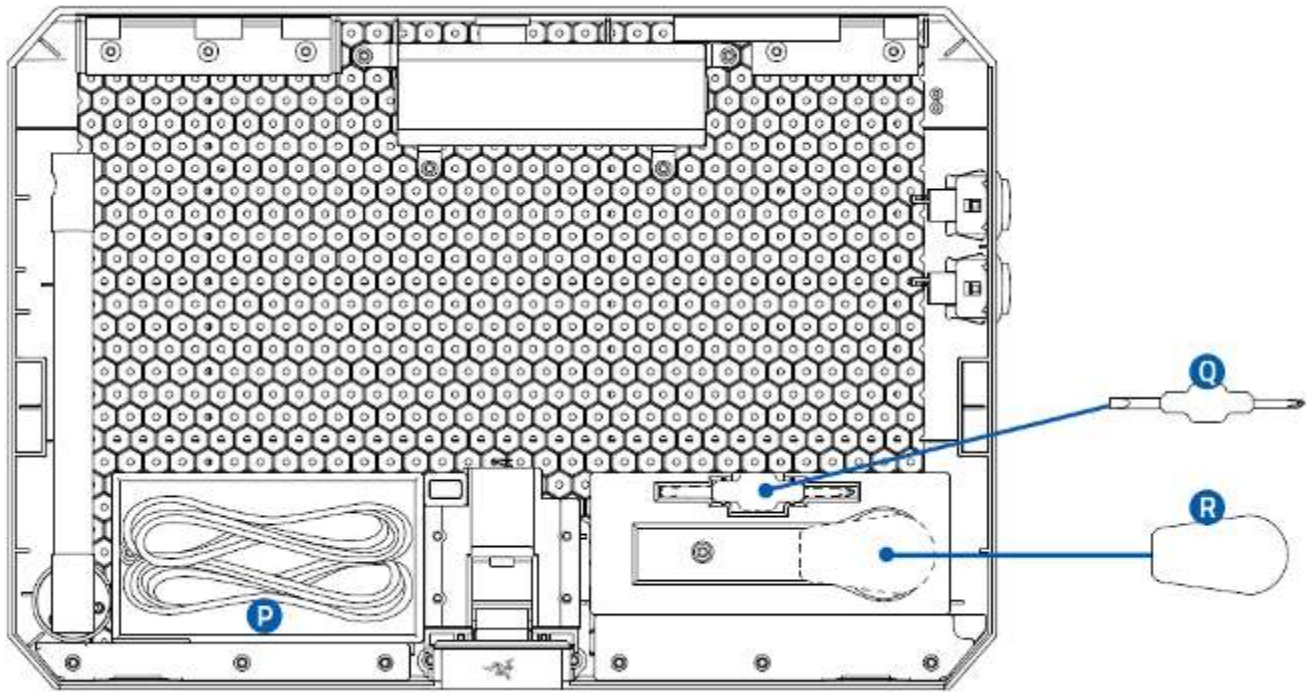
- A. Ball top joystick grip
- B. Authentic Sanwa Denshi™ joystick
- C. Authentic Sanwa Denshi™ action buttons
- D. Share / Select button
- E. Options / Start button
- F. Compartment button



- G. PS button
- H. Control stick switch
- I. Player indicator (PS3 only)
- J. PlayStation 3 / PlayStation 4 switch
- K. Lock / unlock switch
- L. Touchpad (PS4 only)
- M. L3 button
- N. R3 button



- O. Non-slip rubber base

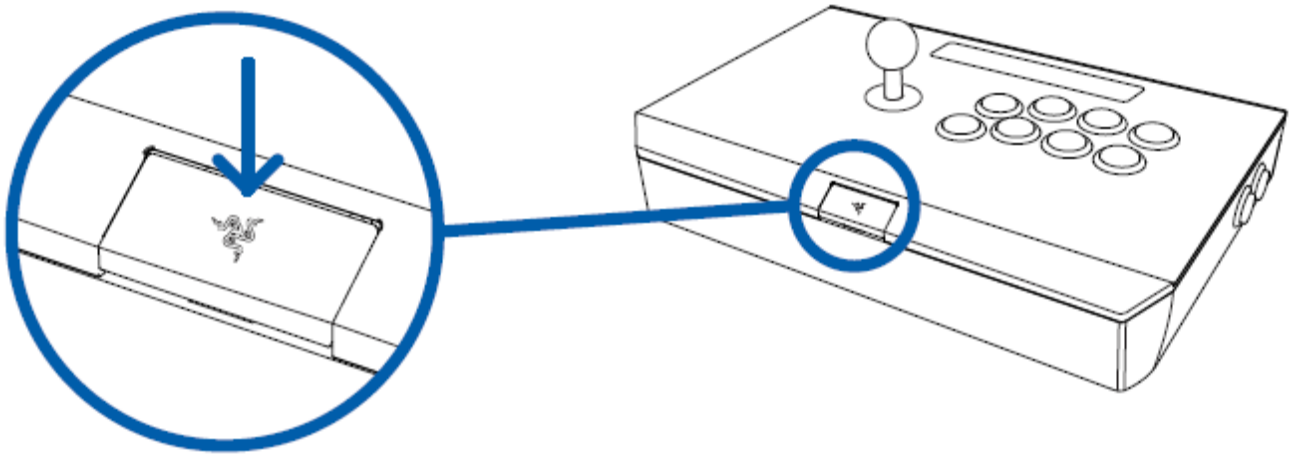


- P. Detachable cable
- Q. Flat tip and cross tip screwdriver
- R. Bat top joystick grip

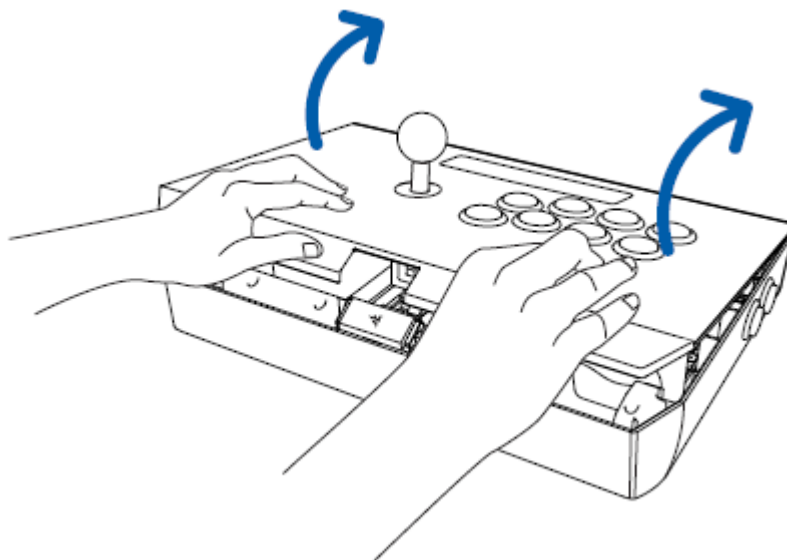
4. USING YOUR RAZER PANTHERA ARCADE STICK FOR PLAYSTATION

SETTING UP THE ARCADE STICK

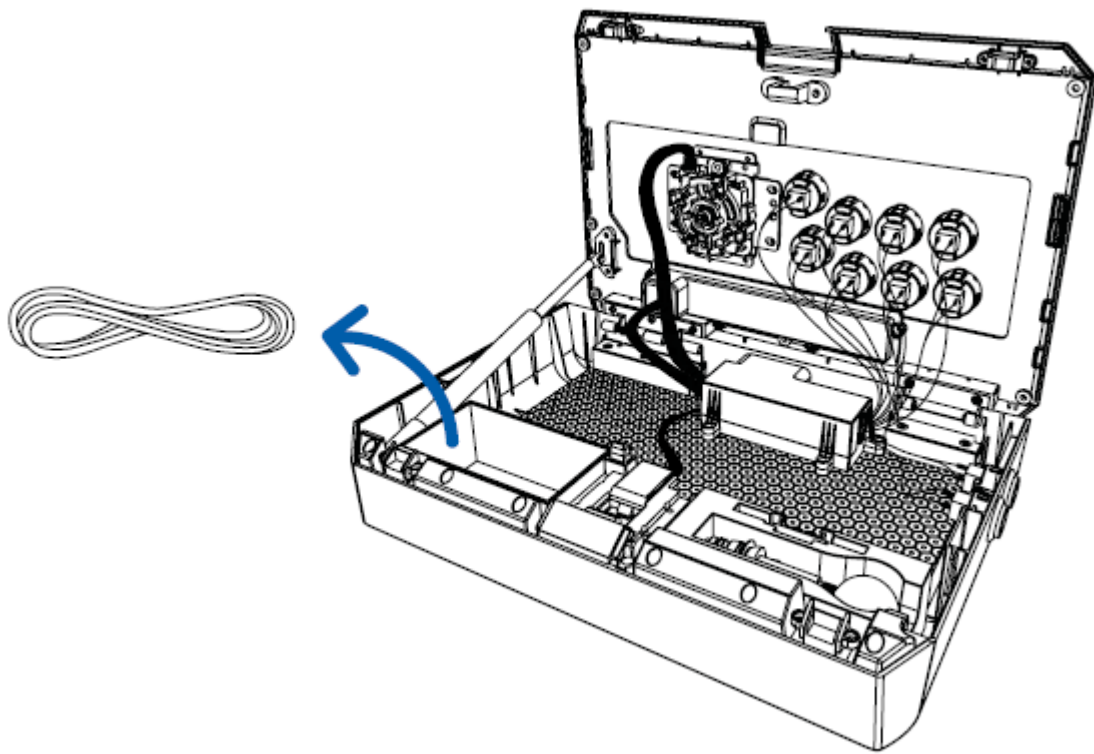
1. Press the Compartment Button to unlock the lid.



2. Lift the lid to access the multipurpose compartment.

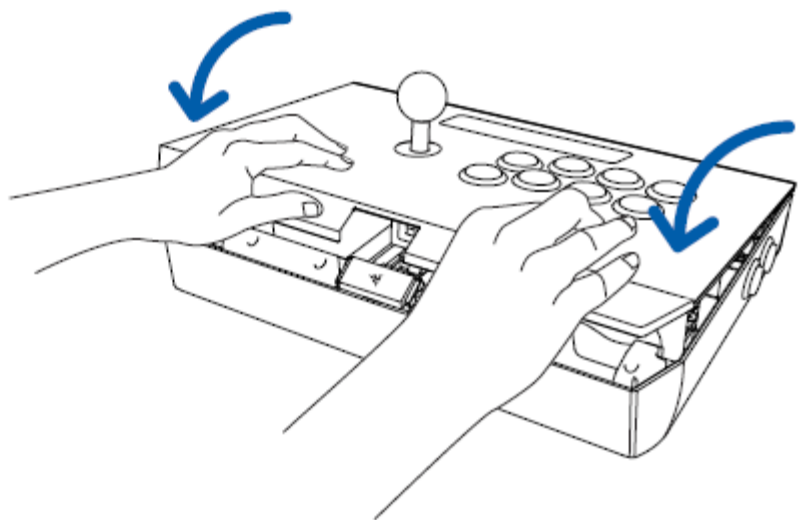


3. Take out the detachable cable with the attached breakaway cable.

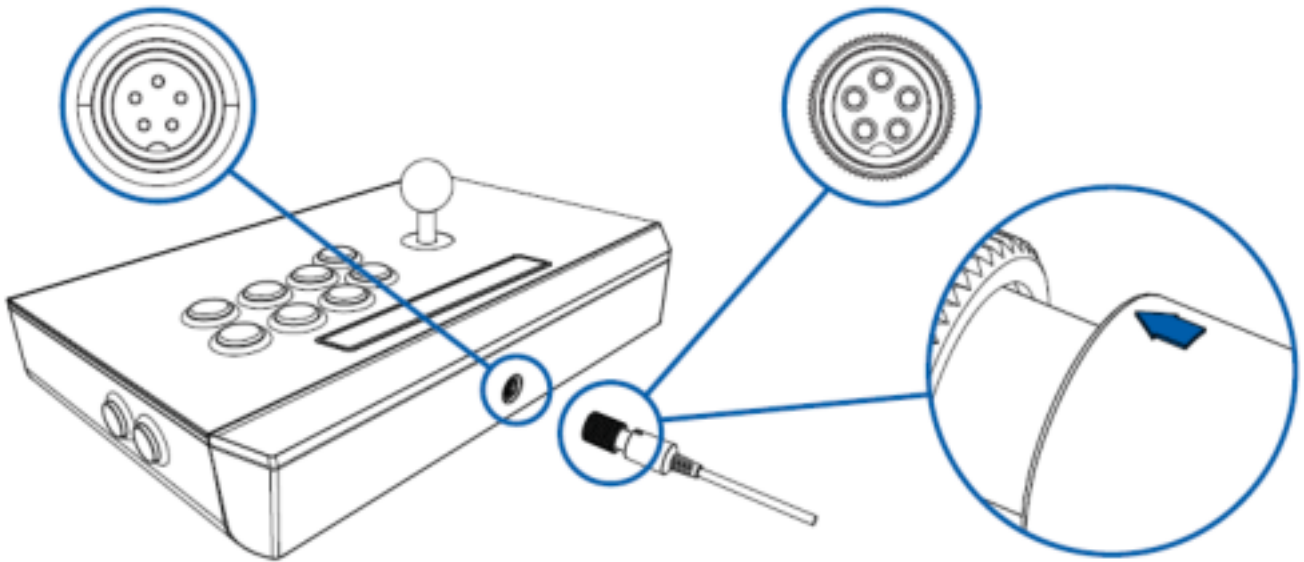


4. To close and lock the lid, place both hands on the edge of the lid away from the center, and push down.

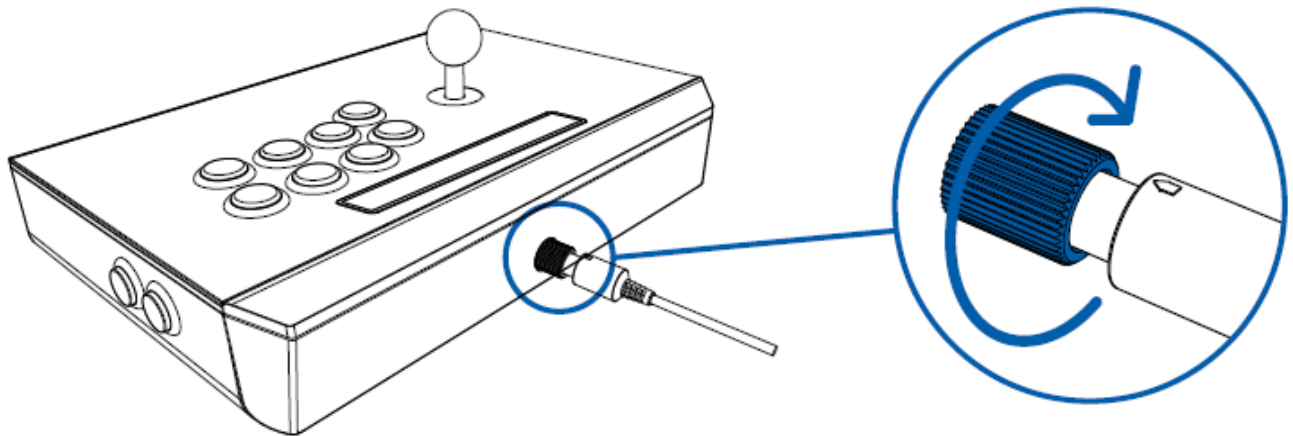
CAUTION



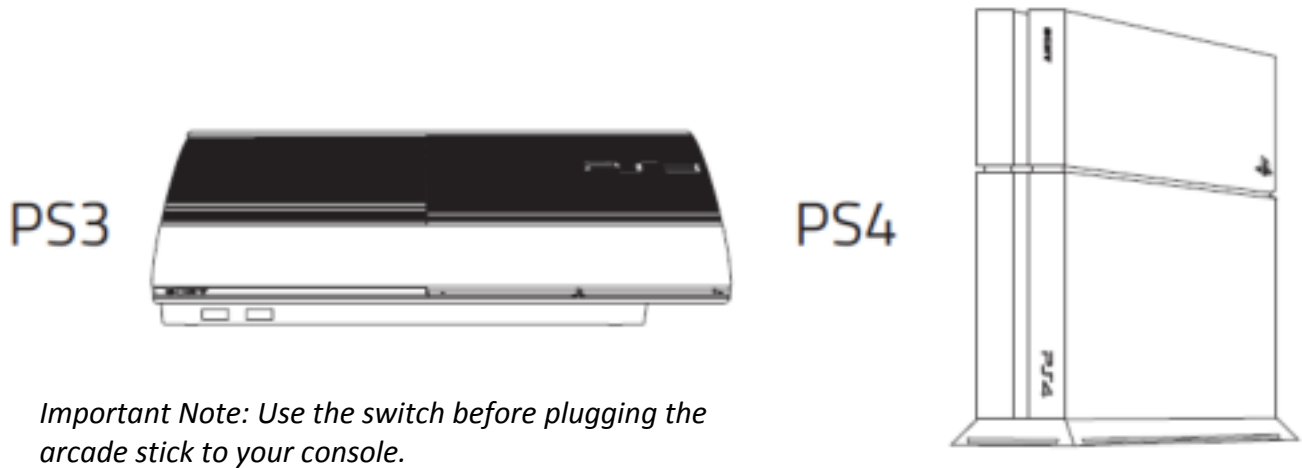
5. Ensure that the marking is facing up when inserting the cable.



6. Rotate the screw collar clockwise until the detachable cable is firmly connected to the Razer Panthera.



7. Select whether you are using a PlayStation 3 or PlayStation 4.



Important Note: Use the switch before plugging the arcade stick to your console.



8. Connect the Razer Panthera to your video game console.

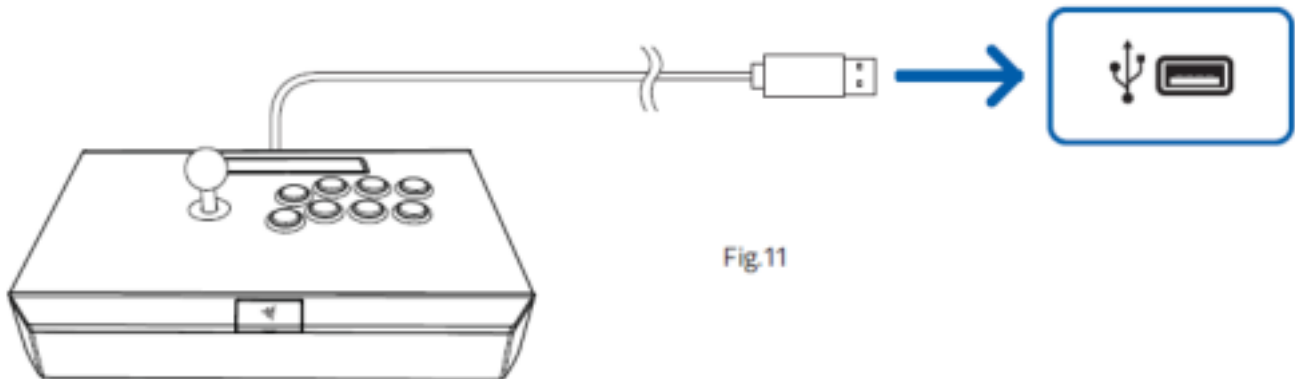
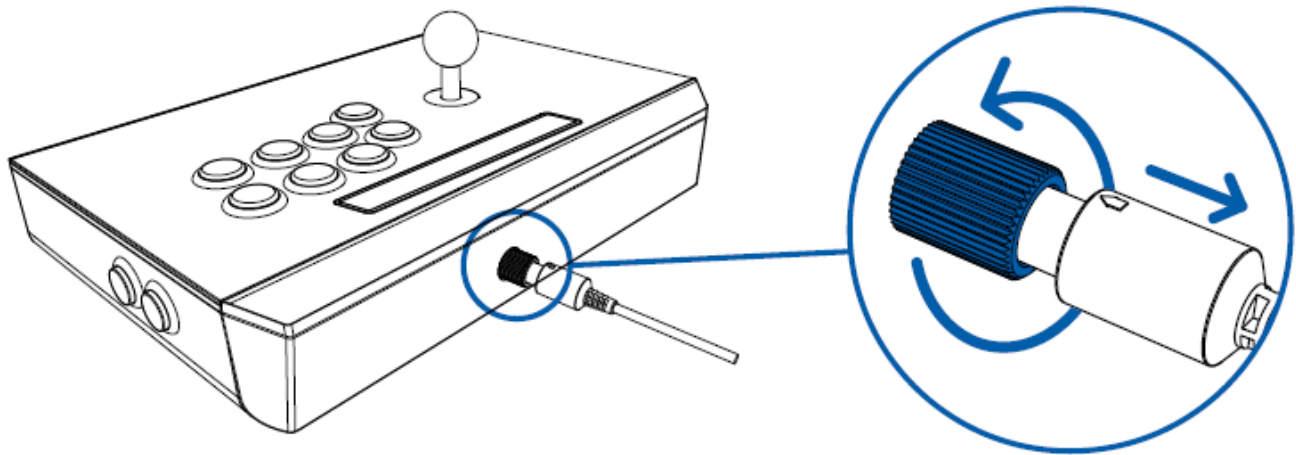


Fig.11

To remove the detachable cable, rotate the screw collar counterclockwise to loosen, and then gently pull the cable.



USING THE LOCK / UNLOCK SWITCH

Setting this switch to **Lock** (🔒) will disable the Select / Share, Start / Options, and PS Button.

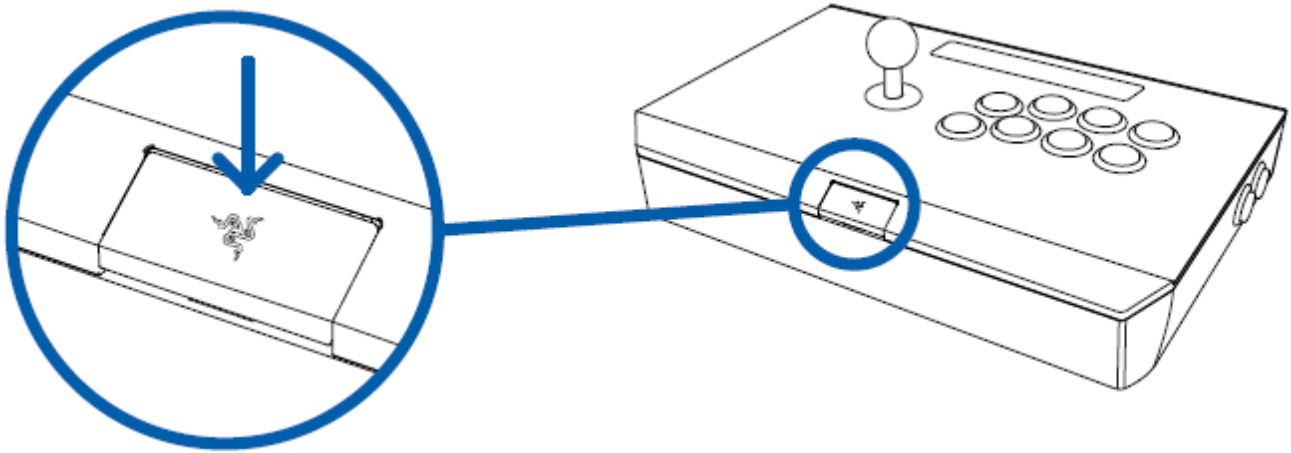


5. CUSTOMIZING YOUR RAZER PANTHERA FOR PLAYSTATION

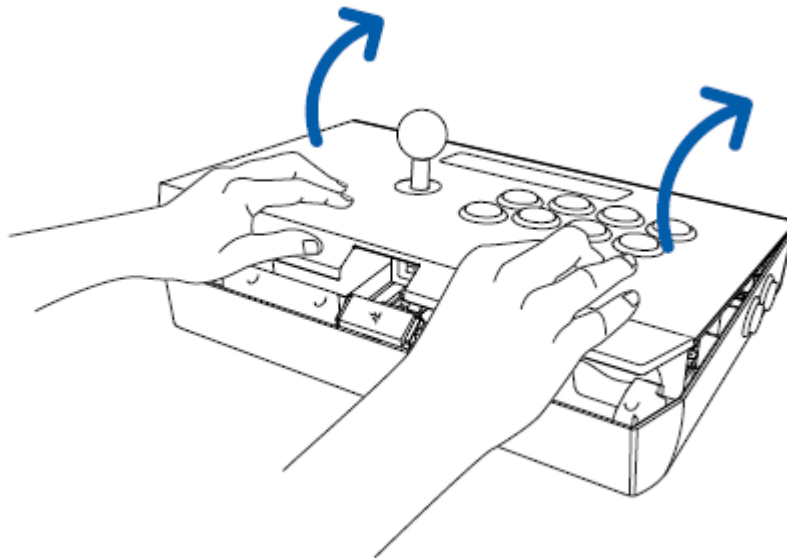
CAUTION! Please remove the Detachable Cable before opening the multipurpose compartment or doing any modifications to your Razer Panthera.

CHANGING THE JOYSTICK GRIP

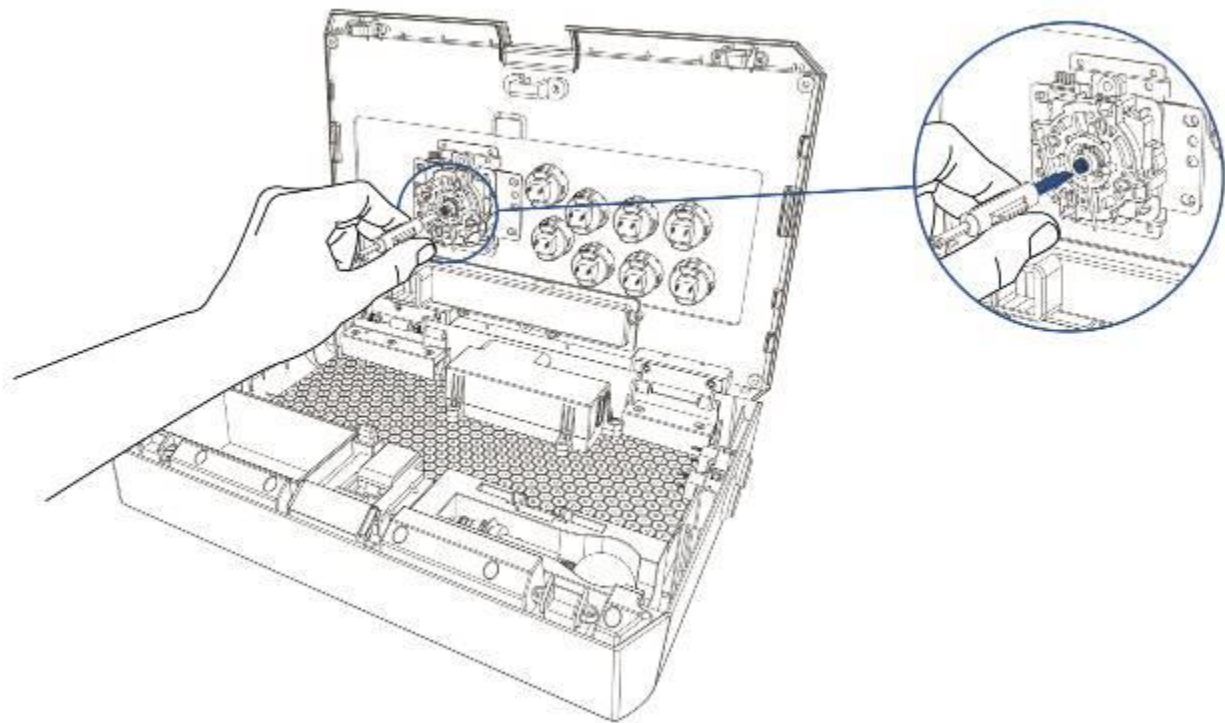
1. Press the Compartment Button to unlock the lid.



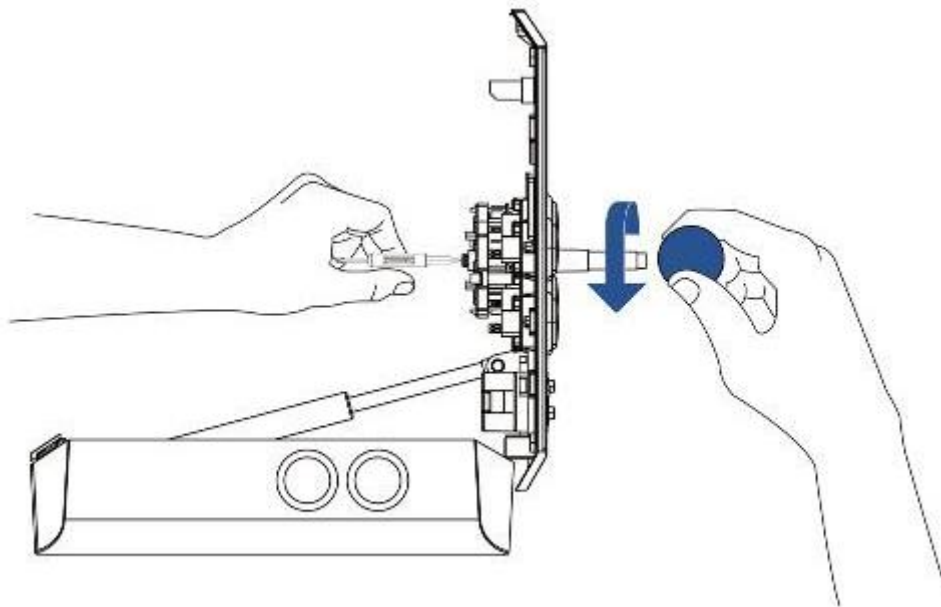
2. Lift the lid to access the multipurpose compartment.



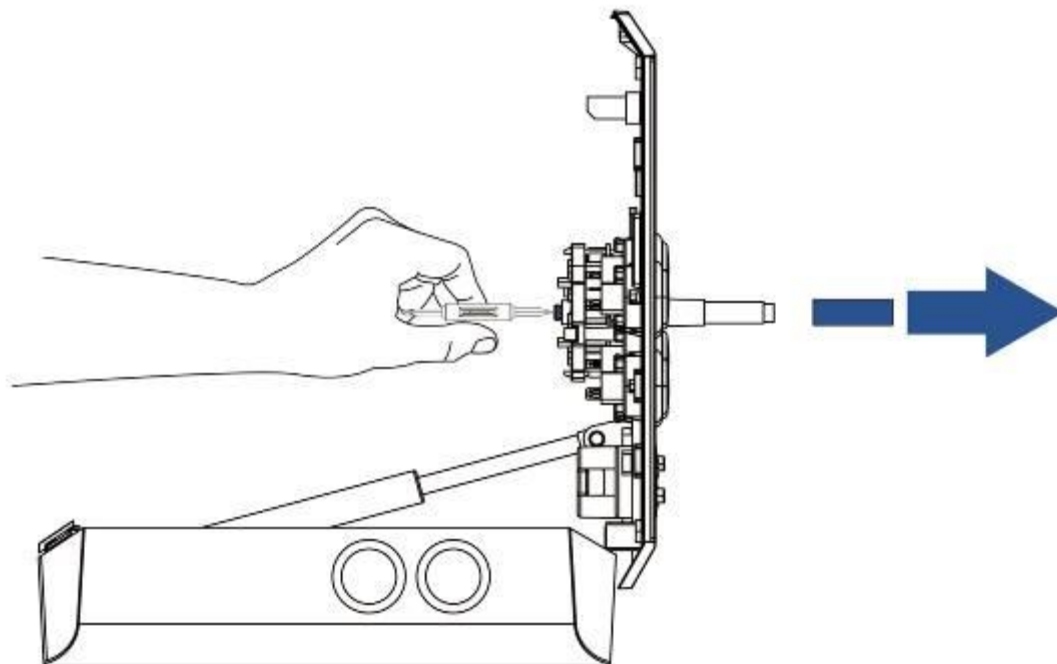
3. Take the screwdriver and hold its flat tip firmly into the joystick's screw.



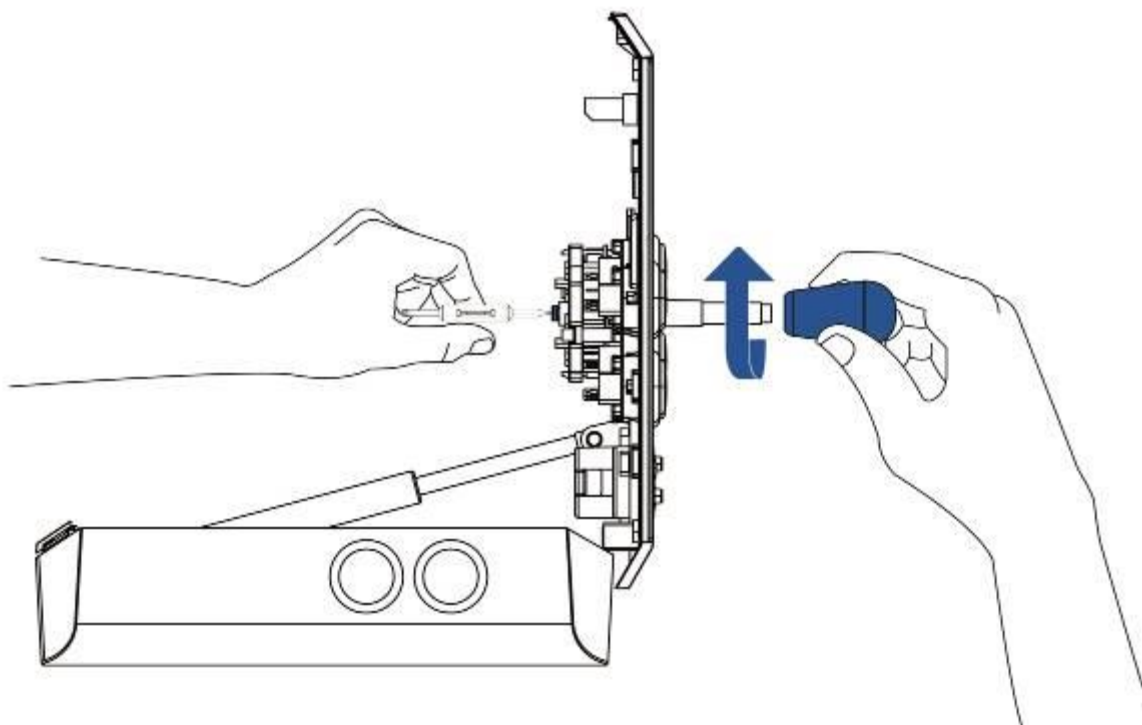
4. Rotate the Ball Top Joystick Grip until it is removed from the joystick shaft.



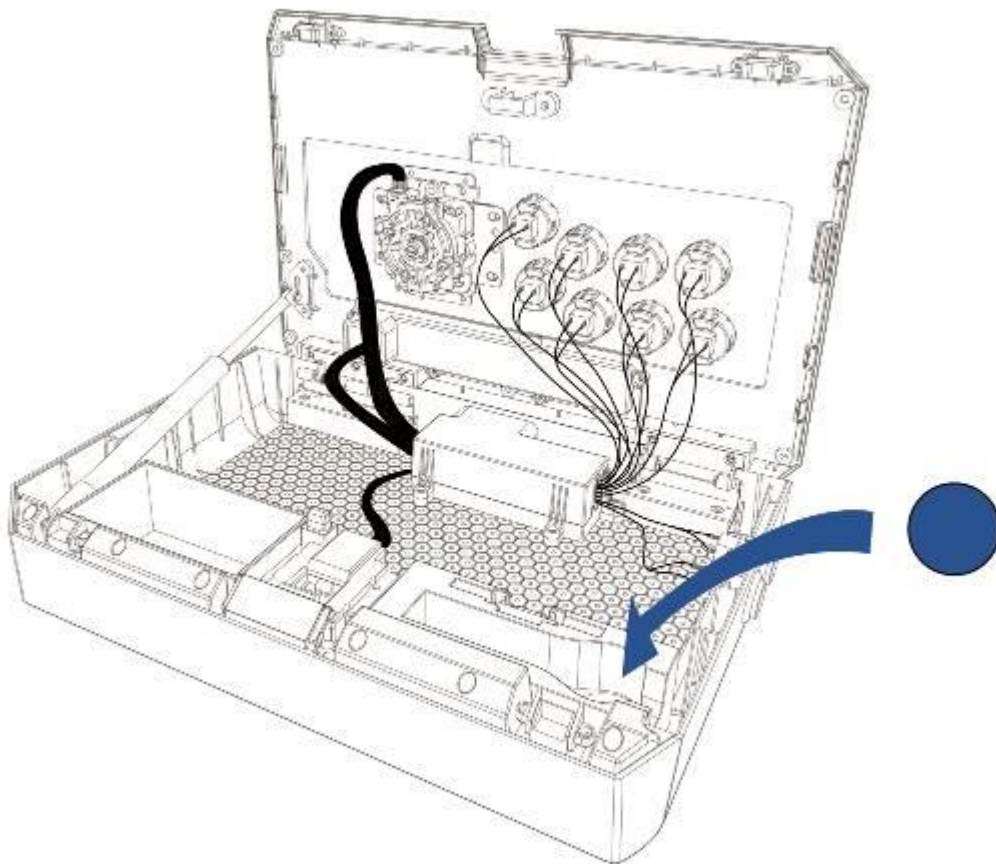
5. Remove the shaft cover from the joystick shaft.



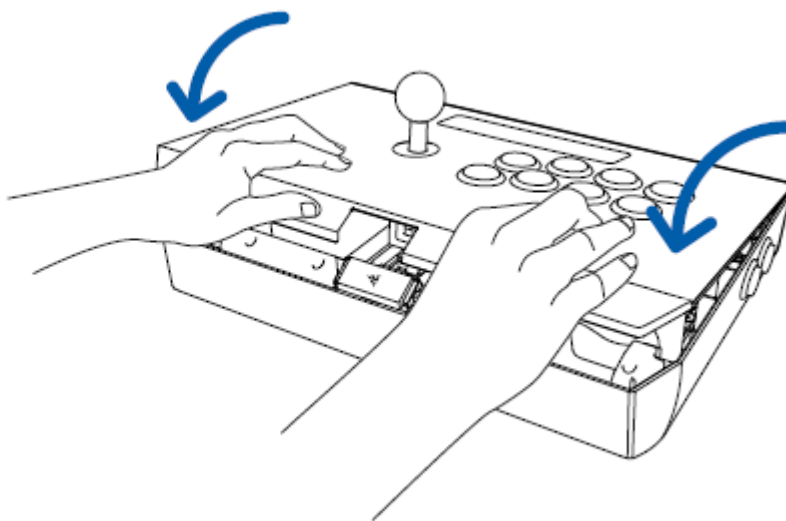
6. Rotate the Bat Top Joystick Grip onto the joystick shaft until it is securely fastened.



7. Place the Ball Top Joystick Grip and shaft cover inside the compartment and close the lid.

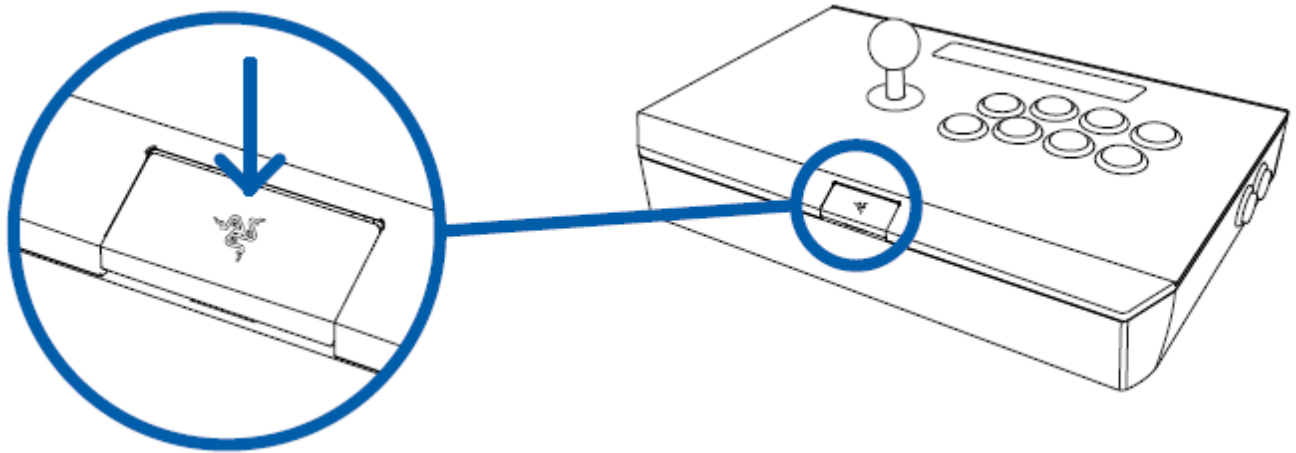


CAUTION

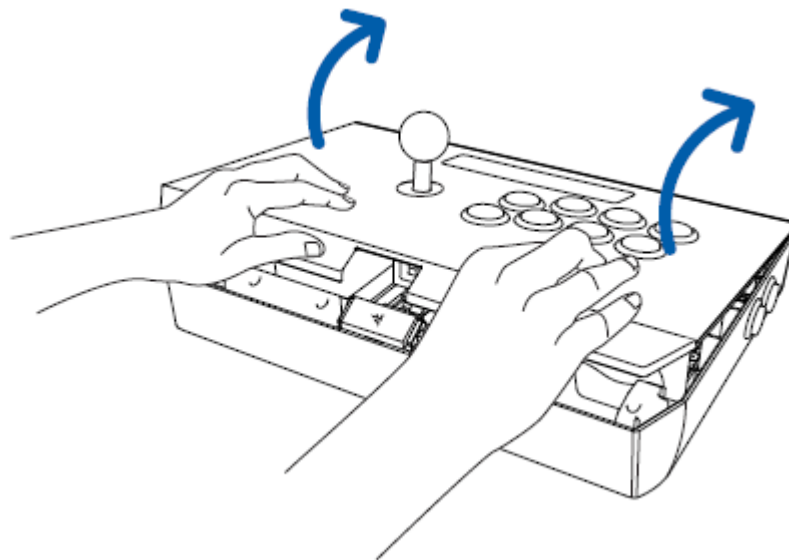


CHANGING THE ACTION BUTTONS

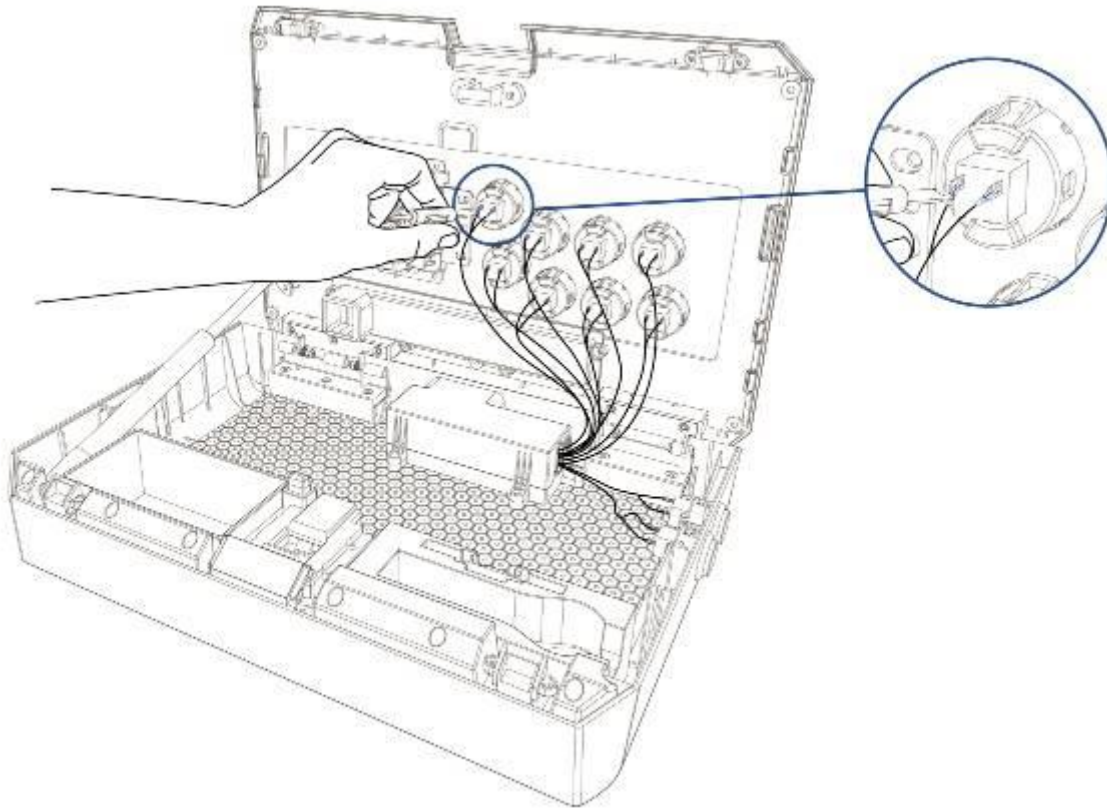
1. Press the Compartment Button to unlock the lid.



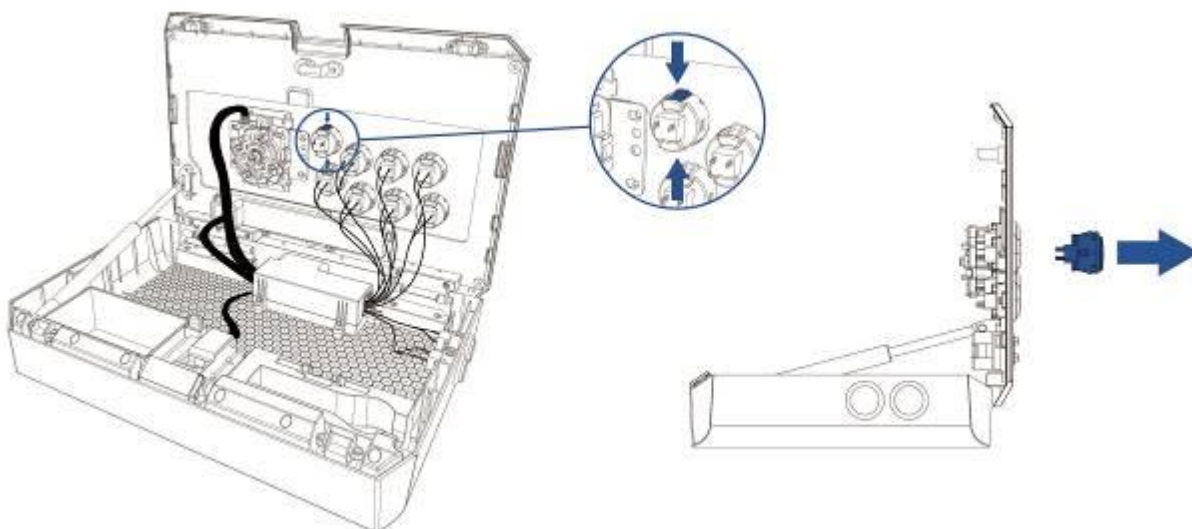
2. Lift the lid to access the multipurpose compartment.



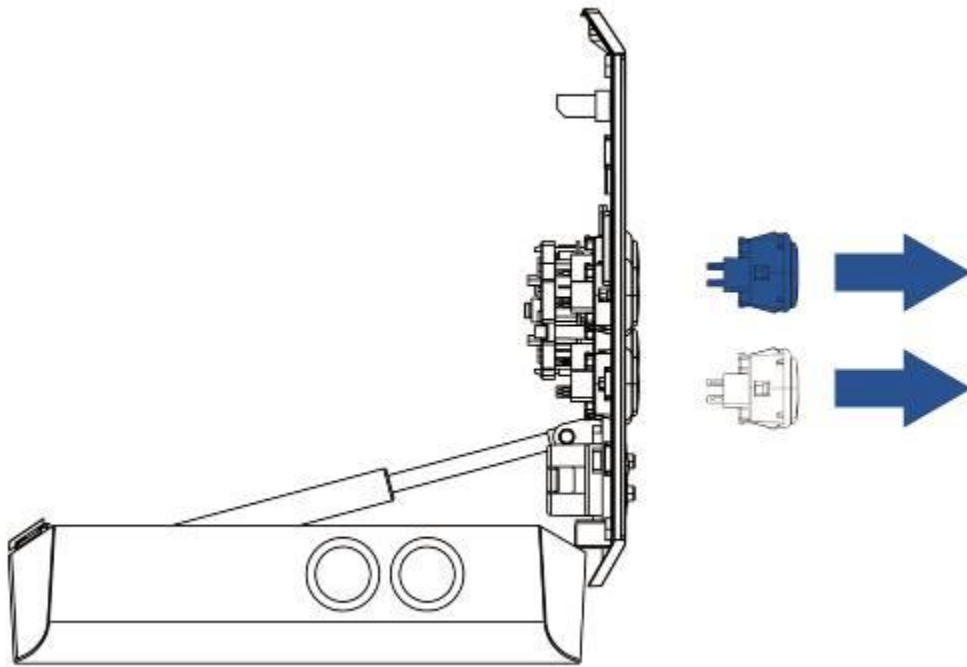
3. Using the flathead of the screwdriver, push each of the small tabs on the Quick Disconnect (QD) wires to easily remove them from the action button.



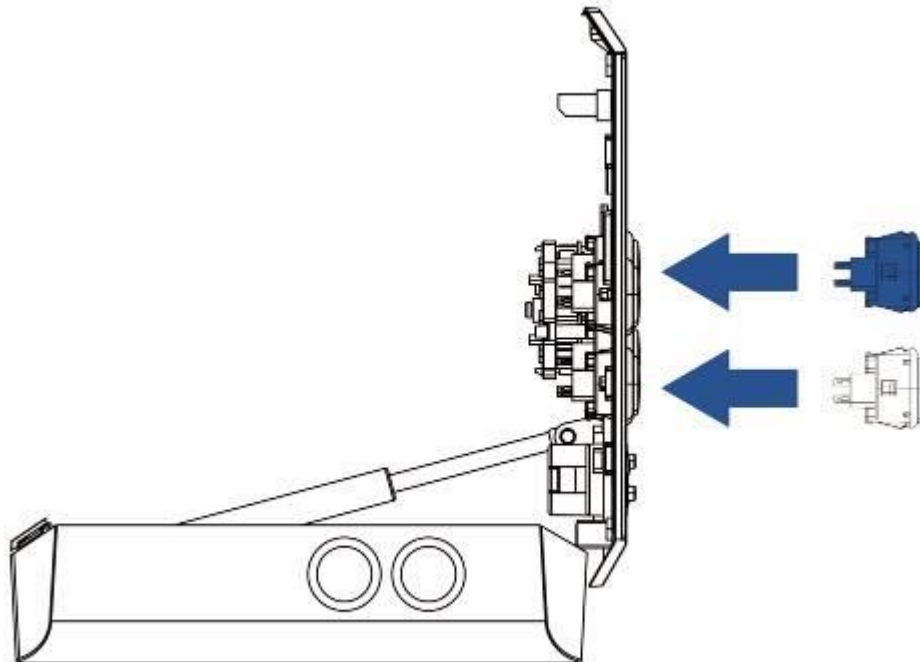
4. While holding the action button's fastener, push the action button out. You can use the screwdriver to push the fasteners in more easily, if needed.



5. Repeat steps 3 and 4 for all the buttons you want to change.

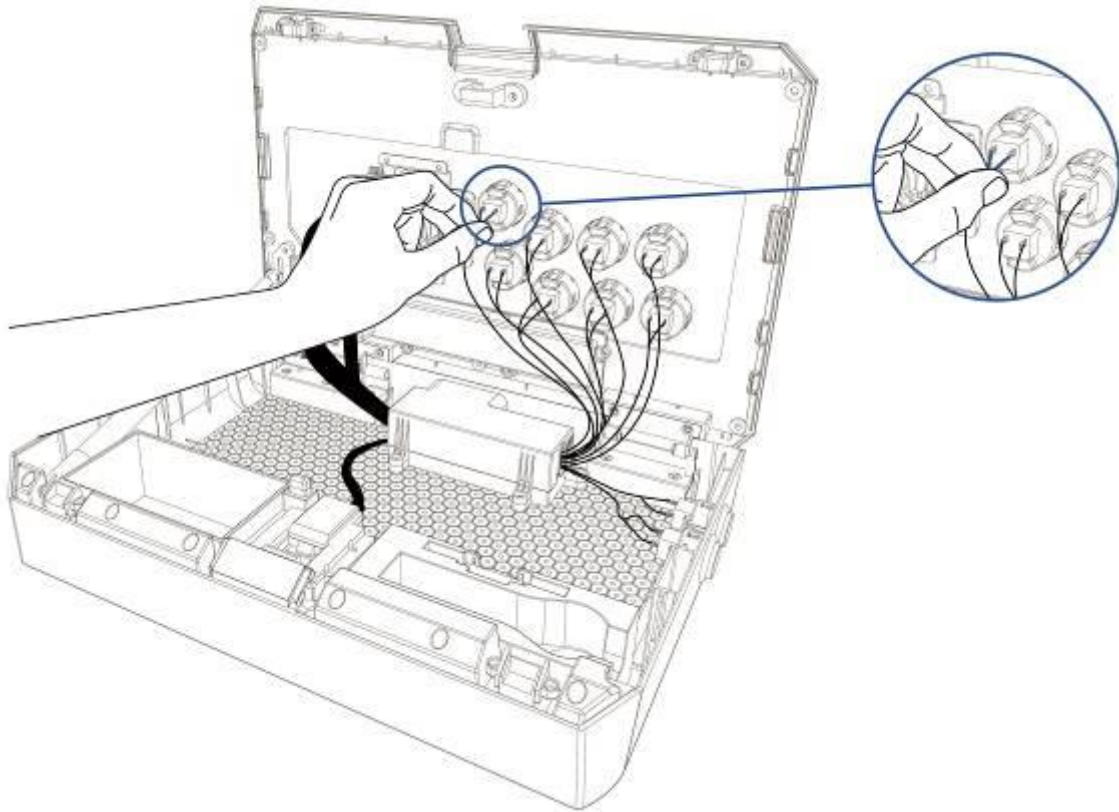


6. Insert your desired action buttons or button covers* into the slots.



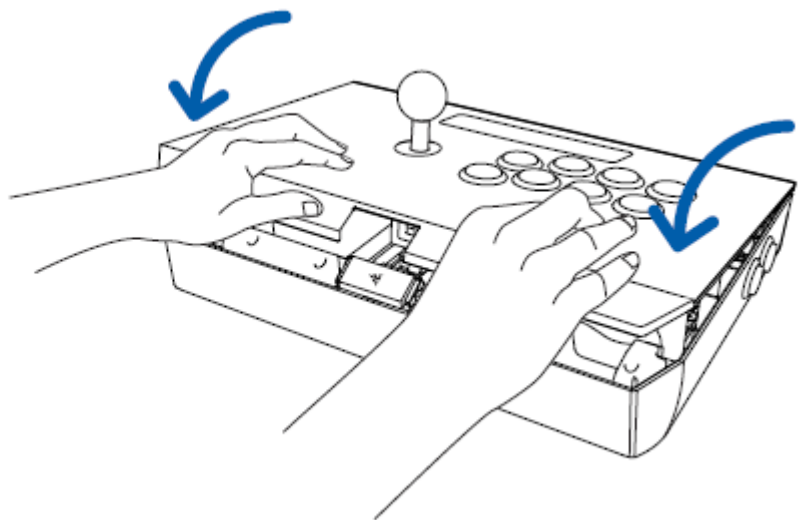
**not included*

7. Reattach the cables to the action buttons.



8. Ensure that all cables are properly connected then close the lid.

CAUTION



6. SAFETY AND MAINTENANCE

SAFETY GUIDELINES

In order to achieve maximum safety while using your Razer Panthera, we suggest that you adopt the following guidelines:

1. Should you have trouble operating the device properly and troubleshooting does not work, unplug the device and contact the Razer hotline or go to [razersupport.com](https://www.razer.com/support) for support. Do not attempt to service or fix the device yourself at any time.
3. Do not take apart the device (doing so will void your warranty) and do not attempt to operate it under abnormal current loads.
4. Keep the device away from liquid, humidity or moisture. Operate the device only within the specific temperature range of 0°C (32°F) to 40°C (104°F). Should the temperature exceed this range, unplug and switch off the device in order to let the temperature stabilize to an optimal level.

COMFORT

Research has shown that long periods of repetitive motion, improper positioning of your computer peripherals, incorrect body position, and poor habits may be associated with physical discomfort and injury to nerves, tendons, and muscles. Below are some guidelines to avoid injury and ensure optimum comfort while using your Razer Panthera.

1. Position the Razer Panthera directly in front of you and within easy reach.
2. Adjust the height of your chair and/or table so that the Razer Panthera is at or below elbow height.
3. Keep your feet well supported, posture straight and your shoulders relaxed.
4. During gameplay, relax your wrist and keep it straight. If you do the same tasks with your hands repeatedly, try not to bend, extend or twist your hands for long periods.

5. Do not rest your wrists on hard surfaces for long periods. Use a wrist rest to support your wrist while gaming.
6. Do not sit in the same position all day. Get up, step away from your desk and do exercises to stretch your arms, shoulders, neck and legs.
7. If you should experience any physical discomfort while using your Razer Panthera for Playstation, such as pain, numbness, or tingling in your hands, wrists, elbows, shoulders, neck or back, please consult a qualified medical doctor immediately.

MAINTENANCE AND USE

The Razer Panthera requires minimum maintenance to keep it in optimum condition. Once a month we recommend you unplug the device from the USB port and clean it using a soft cloth or cotton swab with a bit of warm water to prevent dirt buildup. Do not use soap or harsh cleaning agents.

7. LEGALESE

COPYRIGHT AND INTELLECTUAL PROPERTY INFORMATION

© 2016 Razer Inc. All rights reserved. Razer, For Gamers By Gamers, and the triple-headed snake logo are trademarks or registered trademarks of Razer Inc. and/or affiliated companies in the United States or other countries. All other trademarks are the property of their respective owners. Actual product may differ from pictures. Information is correct at time of printing.

SANWA is a trademark of Sanwa Denshi Co., Ltd.

Razer Inc. (“Razer”) may have copyright, trademarks, trade secrets, patents, patent applications, or other intellectual property rights (whether registered or unregistered) concerning the product in this guide. Furnishing of this guide does not give you a license to any such copyright, trademark, patent or other intellectual property right. The Razer Panthera for Playstation® (the “Product”) may differ from pictures whether on packaging or otherwise. Razer assumes no responsibility for such differences or for any errors that may appear. Information contained herein is subject to change without notice.

LIMITED PRODUCT WARRANTY

For the latest and current terms of the Limited Product Warranty, please visit razerzone.com/warranty.

LIMITATION OF LIABILITY

Razer shall in no event be liable for any lost profits, loss of information or data, special, incidental, indirect, punitive or consequential or incidental damages, arising in any way out of distribution of, sale of, resale of, use of, or inability to use the Product. In no event shall Razer’s liability exceed the retail purchase price of the Product.

COSTS OF PROCUREMENT

For the avoidance of doubt, in no event will Razer be liable for any costs of procurement unless it has been advised of the possibility of such damages, and in no case shall Razer be liable for any costs of procurement liability exceeding the retail purchase price of the Product.

GENERAL

These terms shall be governed by and construed under the laws of the jurisdiction in which the Product was purchased. If any term herein is held to be invalid or unenforceable, then such term (in so far as it is invalid or unenforceable) shall be given no effect and deemed to be excluded without invalidating any of the remaining terms. Razer reserves the right to amend any term at any time without notice.