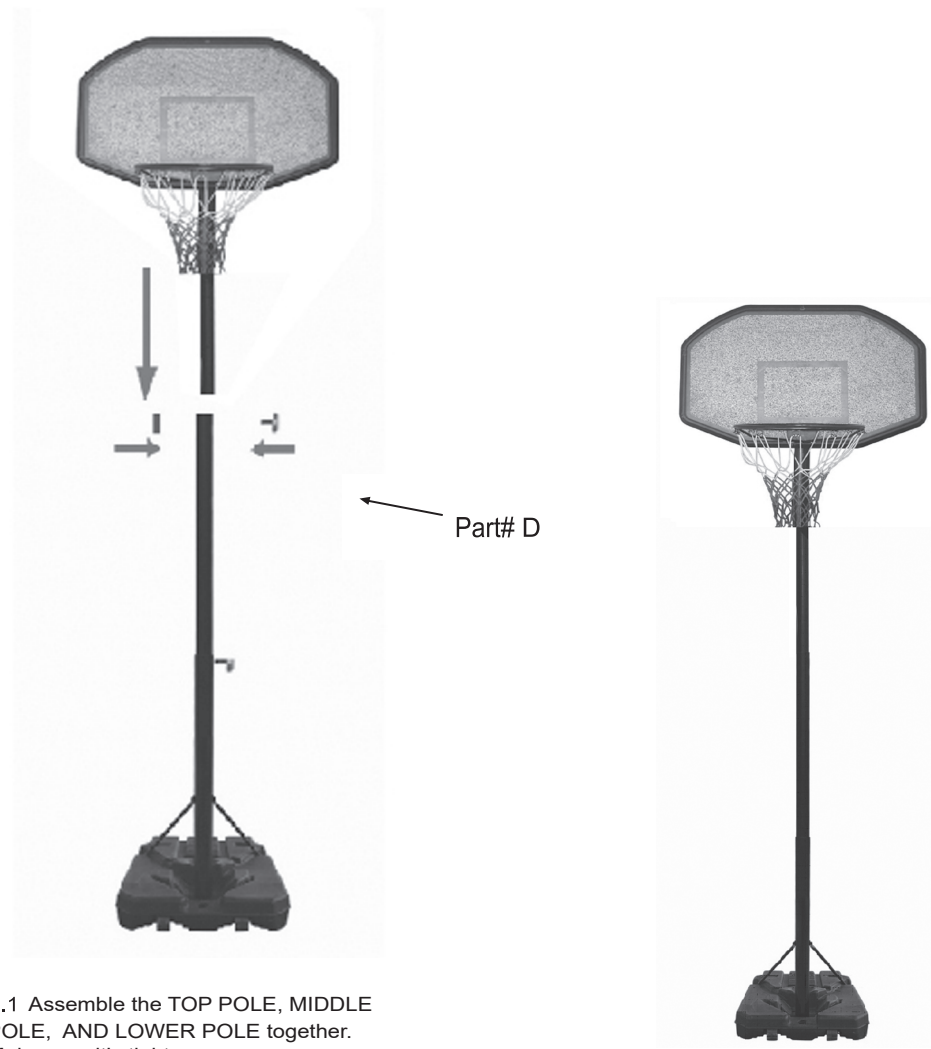


Step 7



7.1 Assemble the TOP POLE, MIDDLE POLE, AND LOWER POLE together. Make sure it's tight.

7.2 Finish basketball set.

8

### PORTABLE BASKETBALL SET ASSEMBLY AND OPERATING INSTRUCTIONS



**WARNING!!!**  
Read all instruction thoroughly before attempting to install or assemble this equipment. Assembly should be done by adults only.

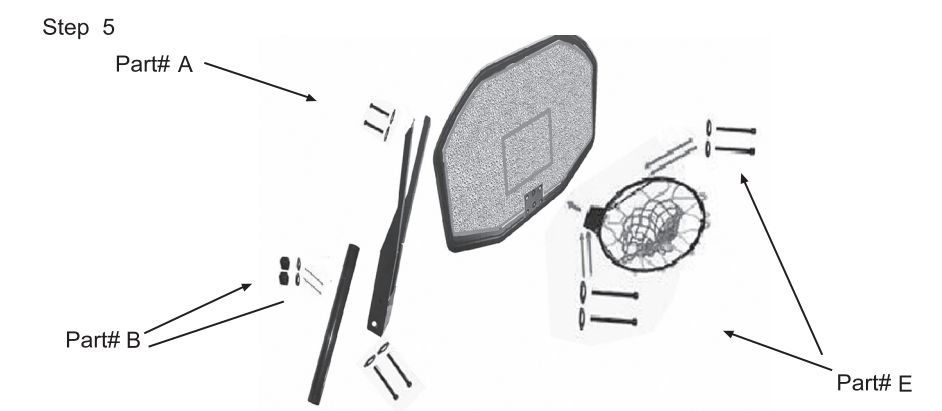
1

**WARNING!!!** NEVER OPERATE THE PORTABLE BASKETBALL SET WITHOUT BEFORE FILLING UP THE MOULDED BASE WITH WATER OR SAND FULLY.

#### GENERAL SAFETY INSTRUCTIONS

Do not hang from the goal or climb on the pole. Do not climb on the base or structure in general as this could result in serious personal injuries. Adjustments and moving of the basketball set must be carried out by adults. Always check the unit to ensure that the moulded base is full of water or sand, and all fittings and hardware are tight before each use. Always place the base on a flat surface. Do not let water freeze in the base. Two people are required for assembly.

2



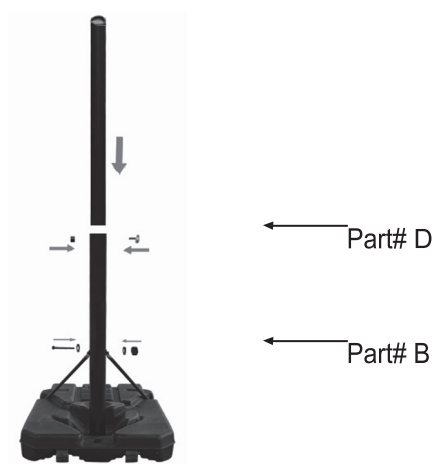
Assemble the BOARD (Part#8) and the Goal Ring(Part#7) with the TOP POLE(Part#4).

Step 6



Assemble the Top Left and Right Brace (part#3) with the Backboard (Part#8).It was like the above

7



2.2 After you have finish with both side, bolt all together to the middle tube ( Part# 5)

Step 3



Fill up the base with water or sand, make sure it is completely full.

**WARNING!!! DO NOT CONTINUE THE ASSEMBLY IF THE ABOVE STEPS ARE NOT CARRIED OUT REPLACE CAP!!!**

Step 4



Fasten the net(Part#9) to the goal ring(Part#7) by hanging it on the metal hooks around the goal,see above figure.

6

#### PARTS LIST

1. Axle 3pcs	2. Lower Left and Right Brace 2pcs
3. Top Left and Right Brace 1 pc	4. Top Pole 1pc
5. Middle Pole 1 pc	6. Lower Pole 1 pc
7. Goal Ring 1pc	8. Backboard 1pc
10. Wheel 2pcs	11. Base 1pc
9. Net 1pc	

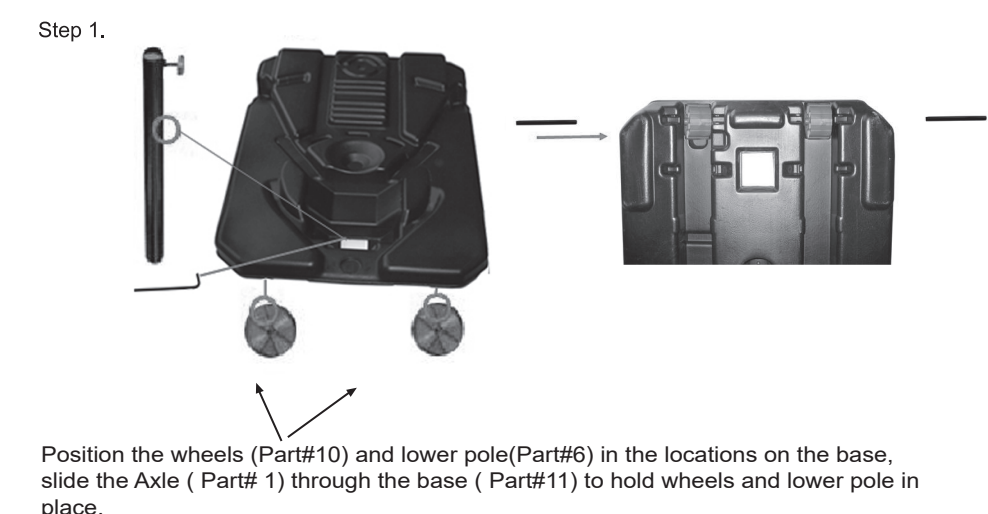
3

A	Screw washer sets	2pcs Set
B	Bolt,Nuts washer	3pcs Sets
C	Bolt,Nuts washer	2pcs Sets

D	Screw M8x10	2pcs
E	Bolt,nuts washer	4pc Set

F	Tools	4 pcs
---	-------	-------

4



Position the wheels (Part#10) and lower pole(Part#6) in the locations on the base, slide the Axle ( Part# 1) through the base ( Part#11) to hold wheels and lower pole in place.



It should look like this when its done.

Step 2.



2.1 Use the LOWER LEFT and LOWER RIGHT BRACE(Part#2) for the bottom supporting frame.

5