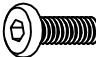


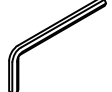


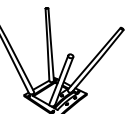

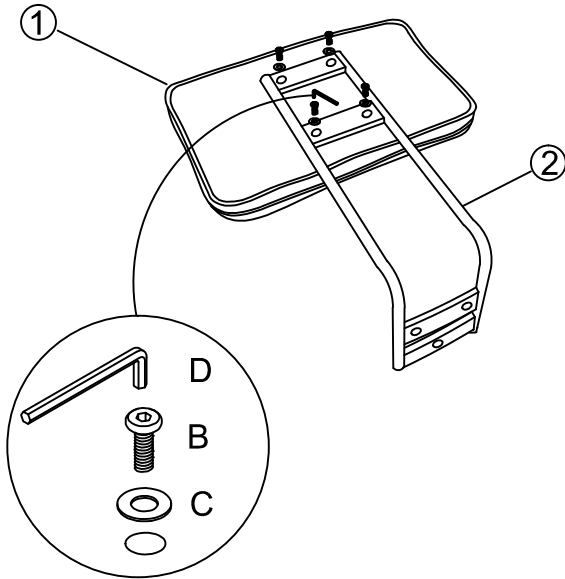


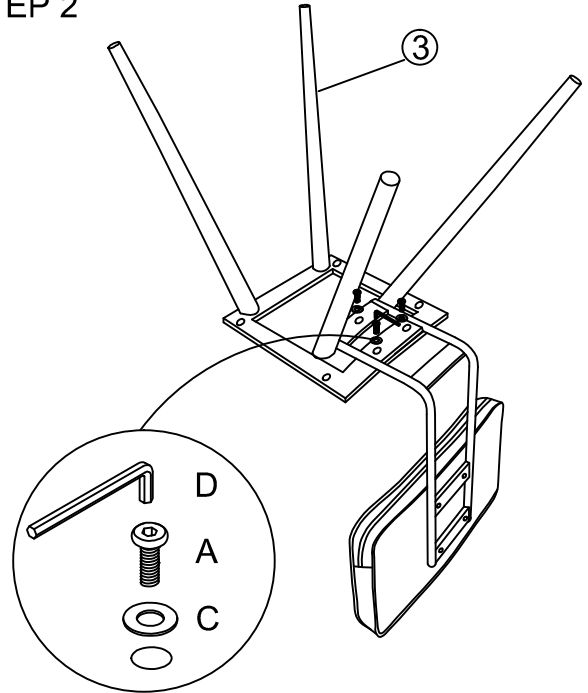
ASSEMBLY INSTRUCTION

A  M6x20 x3	B  M6x25 x8	C  M6 x11	D  x1	①  x1	②  x1	③  x1	④  x1
--	--	--	--	--	--	--	--

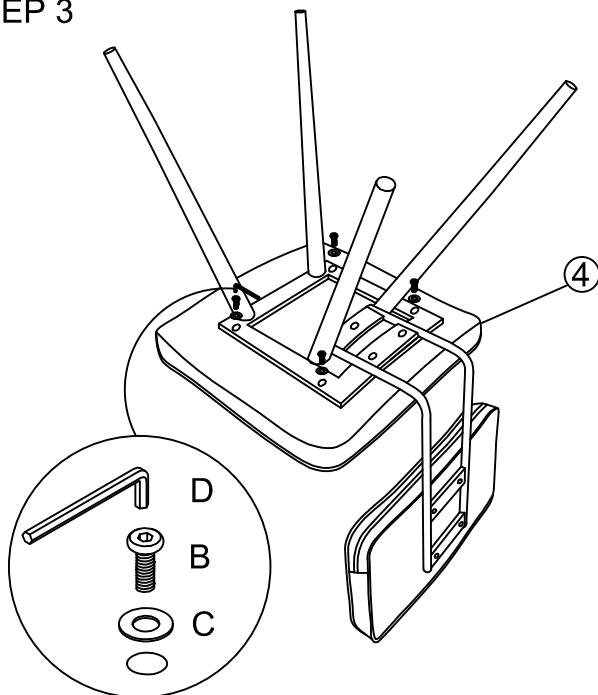
STEP 1



STEP 2



STEP 3



STEP 4 Before you tighten all the screws down in 100% ,please adjust the chair in stable and right position.

