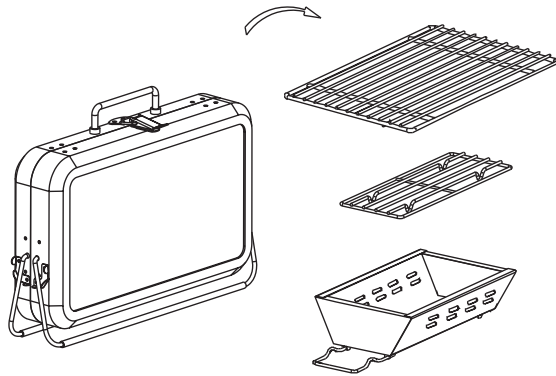
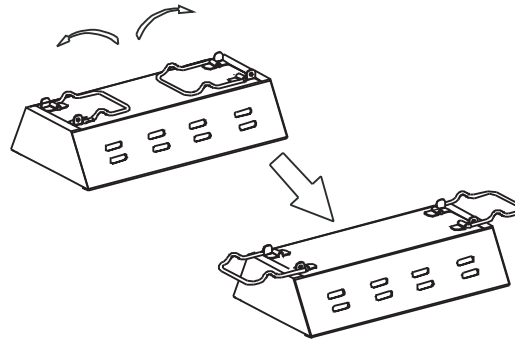


INSTRUCTIONS

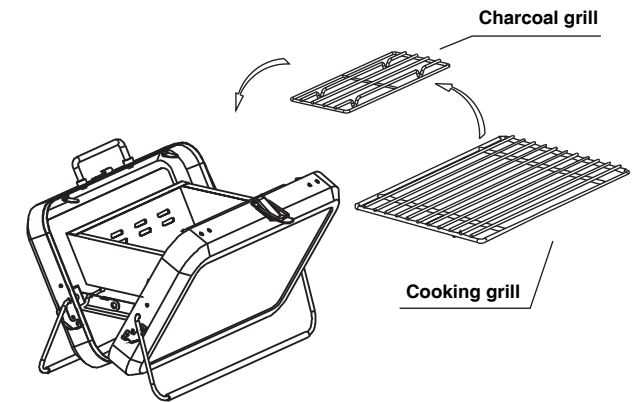
1. Open the clasp & grill body, take out the parts.



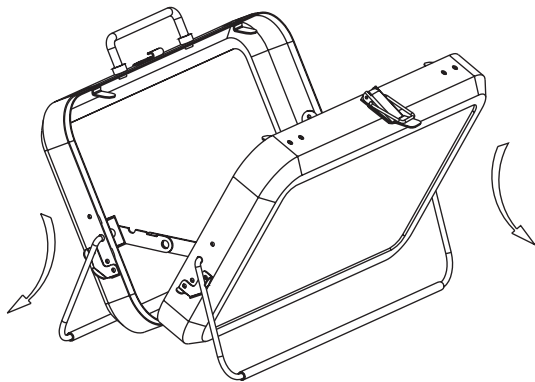
3. Rotate the foot stool to right position, open the fire bowl.



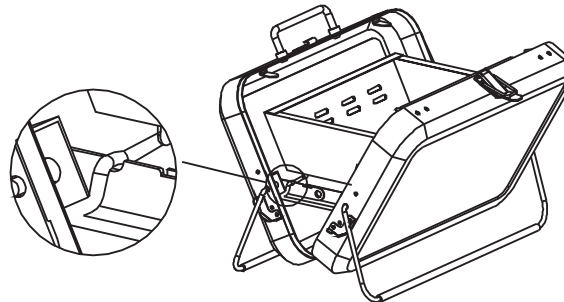
5. Put all parts in.



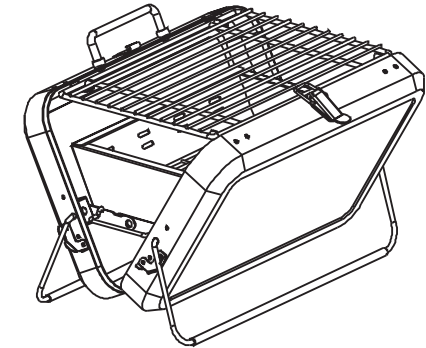
2. Rotate the legs to the right position.



4. Put the fire bowl into the slot.



6. Assembling finished.



Notes :

1. Place the barbecue grill on a secure and level base prior to use.
2. This barbecue grill will become very hot, do not move it during operation. Make sure the barbecue grill has cooled completely before emptying and storing. Make sure the fire is completely extinct before leaving.
3. Keep children and pets away and do not leave unattended.

4. Do not use the barbecue grill in a confined and/or habitable space e.g. houses, tents, caravans, motor homes, boats. Danger of carbon monoxide poisoning fatality.
5. Don't pour any combustible liquid into burning charcoal.
6. For protection of the environment, please take away all rubbish.