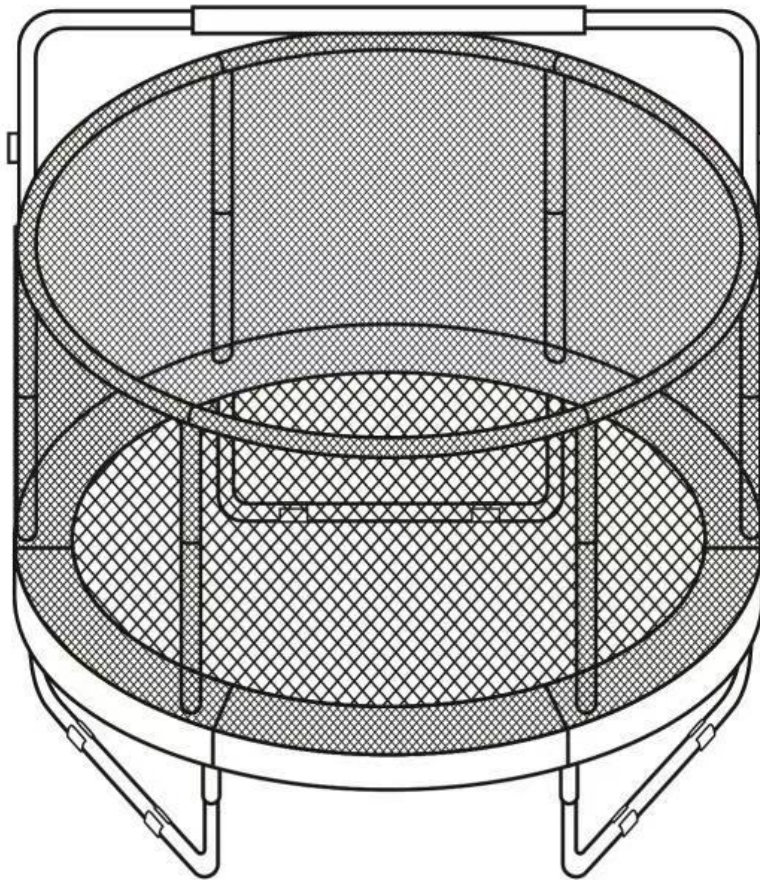


installation instructions

Installation instructions, easy to install, easy to handle!

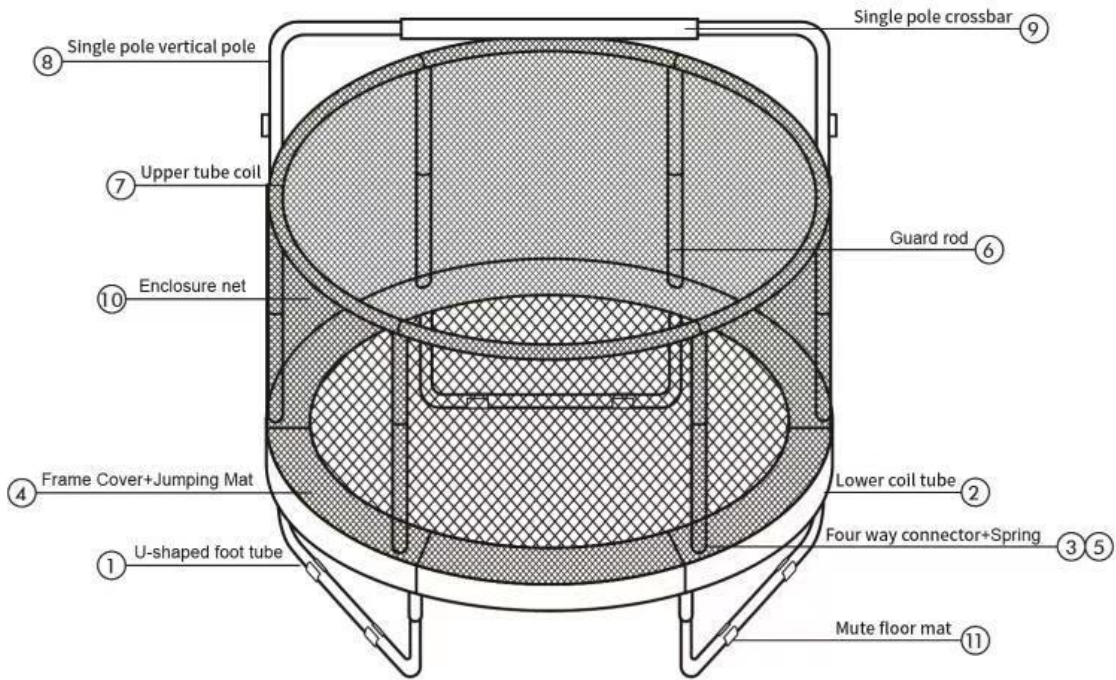
Children's trampoline



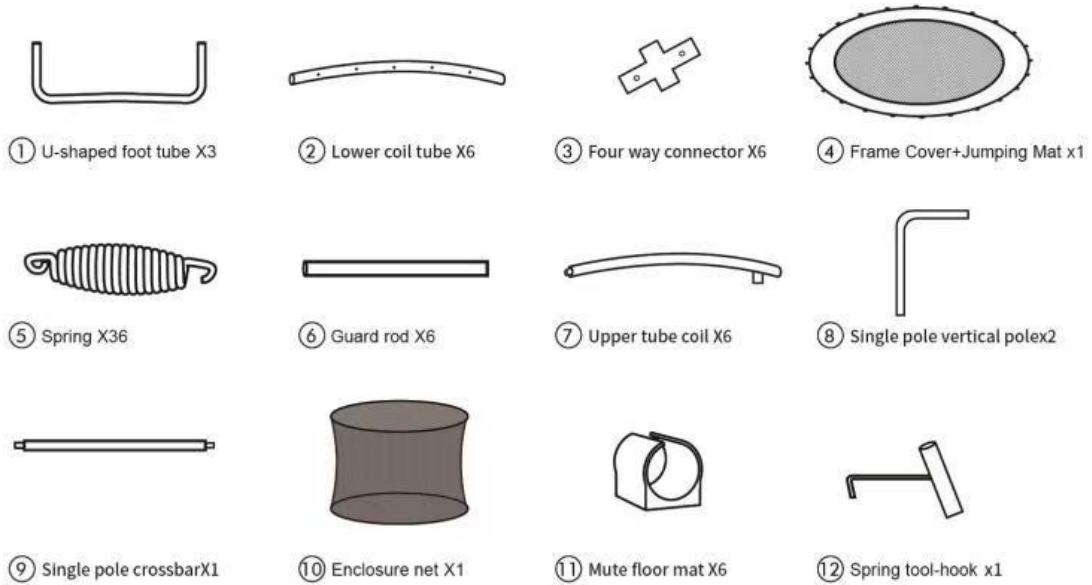
Very important

Before use, be sure to carefully read
the user manual and precautions

Product Diagram



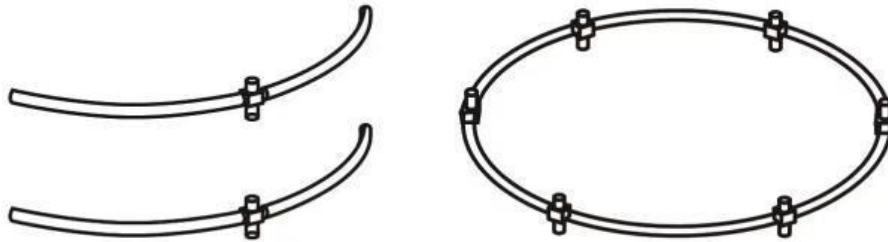
Components Diagram



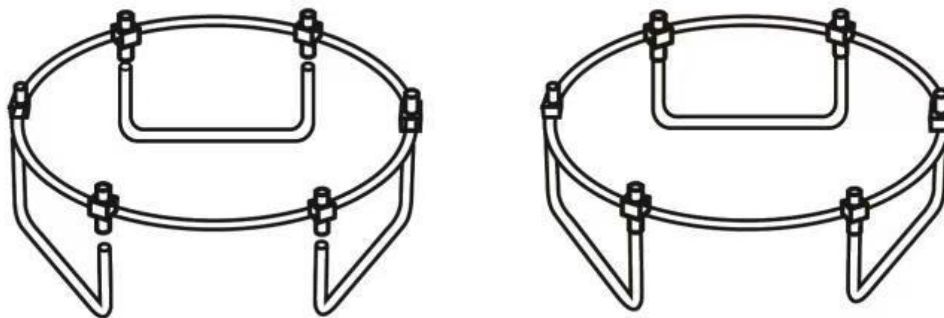
Installation instructions

Easy installation and easy handling!

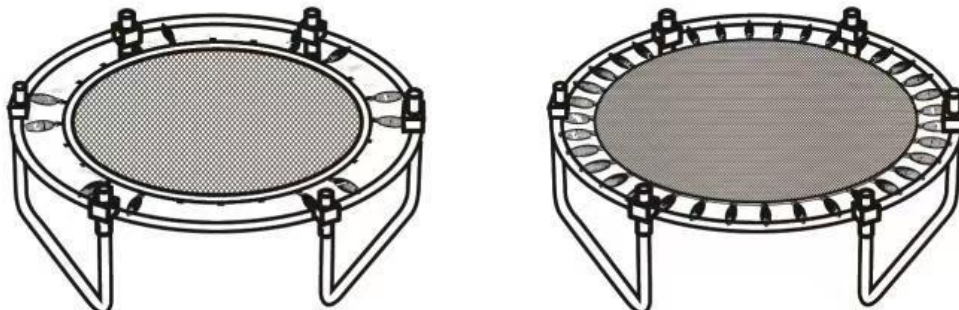
- 1** Connect the six perforated ring pipes with the four-way joint, and connect them in sequence as shown in the figure Round. (the four-way joint with round hole position is measured towards the trampoline)



- 2** Install the foot sleeve on the U-shaped foot tube, and then insert the U-shaped foot tube into the cross. The buckle in the round hole is locked.



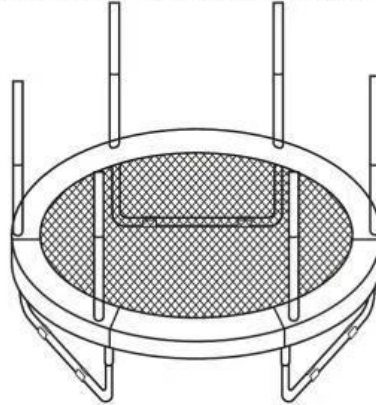
- 3** Place the jump cloth in the frame, pull the spring diagonally with the pull hook first, Then pull up the hexagonal spring. (Note: spring small head and Triangle buckle connection on jump cloth, large head and frame link).



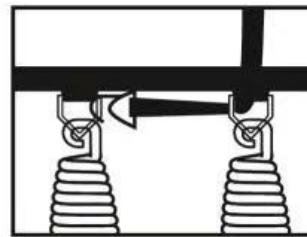
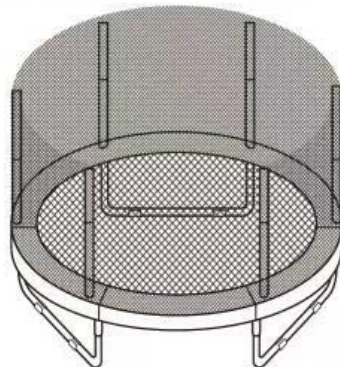
Installation instructions

Easy installation and easy handling!

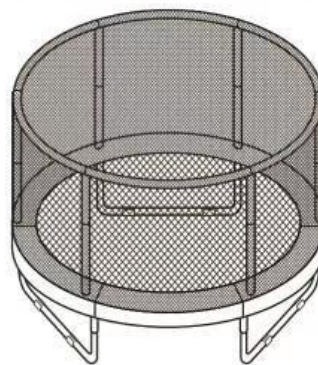
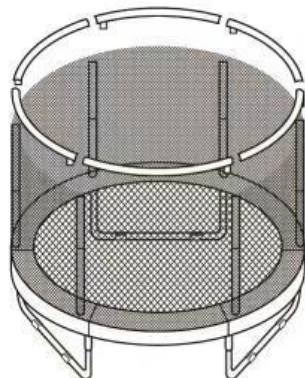
- 4** Insert the six guard rods into the round holes of the cross and lock them.



- 5** Install the protective net, hook the hook at the bottom of the protective net to the triangle for installing the spring Buckle. (Note that the protective net is outside the guard rod)



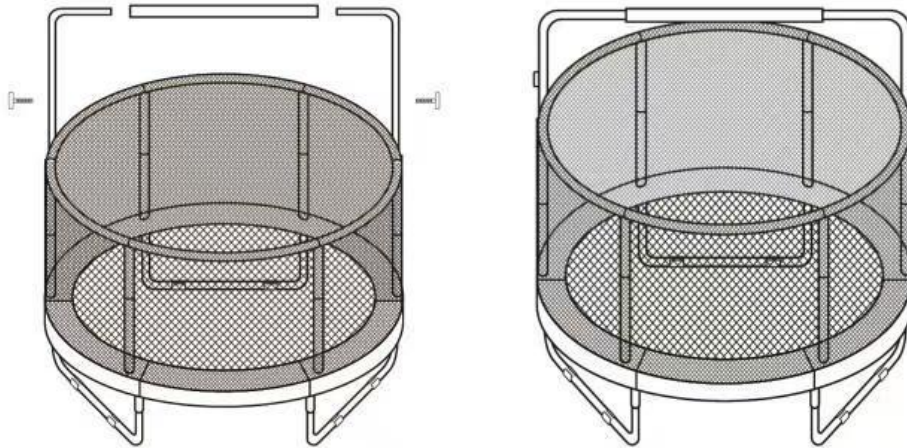
- 6** Put the upper tube into the handrail of the guard net and insert it into the guard rod with snap, Then form a round buckle to lock



Installation instructions

Easy installation and easy handling!

- 7** Insert the vertical rod into the guard rod, tighten it with the screw button, and then install the single rod crossbar.



Attention and product after-sales

be careful:

1.The trampoline is of small spring type, so the joints are relatively tight,It will be much better if you install it several more times.

2.Before each use, it is recommended to check whether the connection is loose to ensure that Safe to use.



MODEL: _____

CHECKER: _____

DATE: _____

After sales :

1. After the arrival of the product, in case of missing parts, please wait 24 hours after the arrival

Take a picture and contact customer service to arrange for a reissue.

For example, contact the customer 2 days later for lack of parts,

We issue the cloth for free.

2. Installation and inspection after arrival. In case of damage of accessories, please wait until the arrival date of 48

Take photos within hours and contact the customer service to arrange for reissue and replacement, such as contacting in 2 days

We will not issue a replacement free of charge if the parts are worn.

3. The wear of accessories during product use is normal, please contact

We buy maintenance separately.

4. Within one year, the trampoline frame is suddenly damaged due to non artificial damage and natural wear,

You can contact us in a timely manner, and we will provide free maintenance fees (the freight will be borne by you)