

# Hand Vacuum Cleaner

User's manual

EN



**SENCOR®**

SVC 190B / SVC 190W / SVC 190R

Before first use, please read all instructions contained in this user's manual carefully, even if you are already familiar with using similar products. Only use this product in accordance with the instructions described in the user manual. Keep the user's manual in a safe place where it can be easily retrieved for future use.

Save the original packaging, including the internal packing material, warranty card and proof of purchase receipt, at least for the duration of the warranty. If you need to ship this product, pack it in the original cardboard box to ensure maximum protection during shipping or transport (e.g. when moving or when you need to send this product for repair).

# Hand Vacuum Cleaner

SVC 190B / SVC 190W / SVC 190R

## CONTENTS

IMPORTANT NOTICES .....	3
DESCRIPTION OF THE PRODUCT .....	4
RECHARGING RECOMMENDATIONS .....	4
INSTALLATION OF THE HOLDER .....	5
OPERATION .....	5
REMOVAL OF DUST, CLEANING AND MAINTENANCE OF THE PRODUCT .....	6
DISPOSAL OF USED BATTERIES .....	6
TECHNICAL DETAILS .....	7

# Hand Vacuum Cleaner

SVC 190B / SVC 190W / SVC 190R

EN

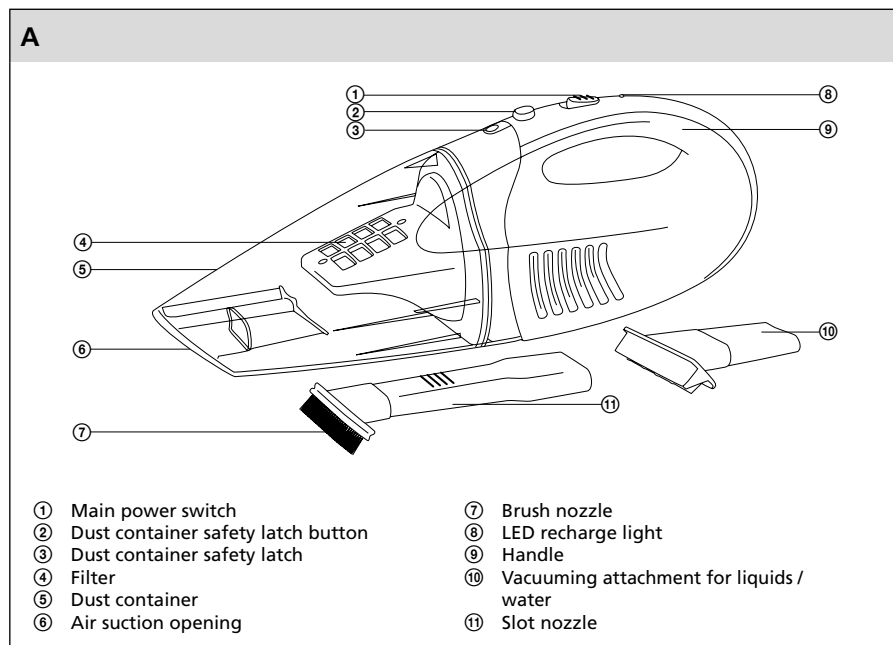
## IMPORTANT NOTICES

- 1) Carefully unpack the product and take care not to throw away any part of the packaging before you find all the parts of the product.
- 2) This product must not be used by persons (including children) with physical or mental impairments or by inexperienced persons, unless properly trained or schooled in the safe use of the product, or unless they have been properly supervised by a qualified person who will be responsible for their safety.
- 3) Never use accessories that have not been delivered with this product or are not intended for it.
- 4) Under no circumstances should you try to repair or amend the product on your own - danger of electric shock! Entrust all repairs and adjustments to a specialised company/service. Tampering with the product during the warranty period may void the warranty.
- 5) Only store and use the product away from flammable or volatile materials and solutions.
- 6) Do not expose the product to extreme heat, direct sunlight and excessive humidity.
- 7) Do not place the product near heaters, open fires or other appliances or equipment that are sources of heat.
- 8) This product is designed for household use. Do not use it in industrial surroundings or outdoors!
- 9) Do not use the product for purposes other than those intended.
- 10) Before connecting the product to the power outlet ensure that the voltage on the label is the same as that in the power outlet.
- 11) Do not place the adapter power cord near hot places or sharp objects. Do not place heavy objects on the adapter power cord. Position the cord so that it will not be stepped on or tripped over. Make sure the adapter power cord is not touching a hot surface.
- 12) If the power cord of the adapter is damaged have it repaired by an authorised service technician to prevent causing a dangerous situation. It is forbidden to use a product with a damaged power cord or plug.
- 13) Do not disconnect the power cord from the wall outlet by pulling the cord.
- 14) Do not spray the product with water or any other liquid. Do not pour water or any other liquids into the product. Do not submerge the product in water or any other liquid.
- 15) Never use the product near a bathtub, wash basin or any other container filled with water.
- 16) Never leave the product switched on without supervision.
- 17) Use extra care if the product is used near children. Always keep the product out of the reach of children. Children must be supervised to ensure that they do not play with the product.
- 18) If the product is being used, do not block the air input and output openings. Blocked air vents can cause overheating and motor damage.
- 19) Vacuuming the below mentioned objects can damage your product or cause injuries to the operating person:
  - any type of sharp objects such as broken glass or ceramics, needles, pins, etc.
  - burning cigarettes, or smouldering pieces, matches or any other flammable or volatile liquids (e.g. gasoline, paint thinners, etc.)
  - flour, cement, plaster (i.e. dust from holes drilled in walls)
- 20) Pulling the power cord from the wall power outlet by force may cause damage.
- 21) Do not vacuum larger pieces of paper or plastic bags. They can easily block the dust container. If the product becomes blocked, turn it off by disconnecting the power cord from the socket and clean the dust container.
- 22) Never use the vacuum cleaner without the inflow filter or the dust container.
- 23) The suction opening must not be placed near ears or eyes.
- 24) Vacuuming of some types of surfaces can create a static electricity charge, which is not dangerous for the user.
- 25) The manufacturer takes no responsibility for damages caused by the incorrect use of this product and its accessories (injuries, burns, scalding, fire, food spoilage, etc.).

# Hand Vacuum Cleaner

SVC 190B / SVC 190W / SVC 190R

## DESCRIPTION OF THE DEVICE



# Hand Vacuum Cleaner

SVC 190B / SVC 190W / SVC 190R

EN

## RECHARGING RECOMMENDATIONS

Before first use you should allow the product to charge for 12 hours, after a longer period of inactivity the batteries may self-discharge, recharge before every use of the product.

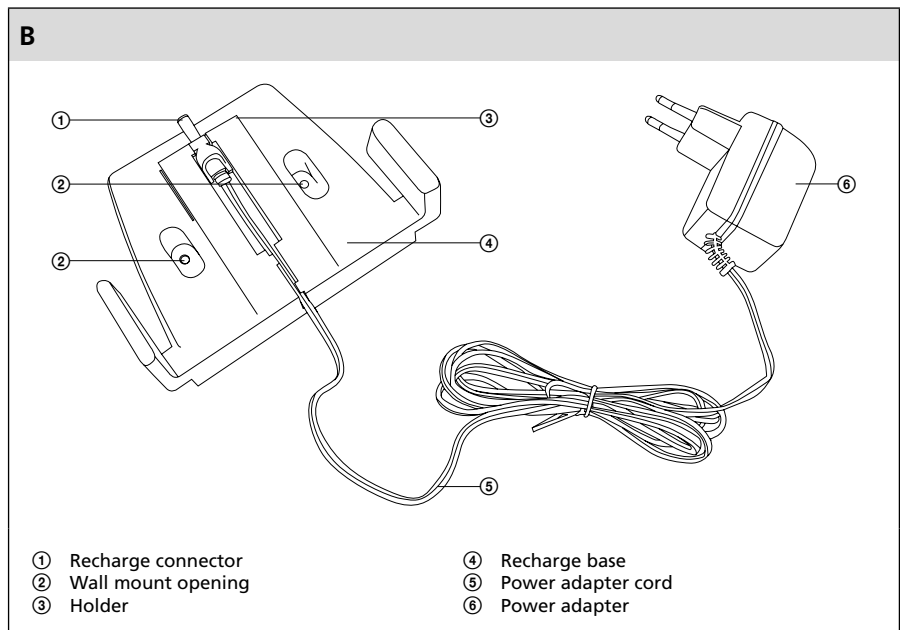
## INSTALLATION OF THE RECHARGE HOLDER

- 1) Attach the holder to a wall, the kitchen unit or another appropriate surface using two screws through the two mounting openings (see pic.).
- 2) Hang the vacuum cleaner on the holder so that it is connected to the connector in the holder.
- 3) Connect the power adapter to a power socket.



**Note:**

LED light turns off, despite the product being recharged



## OPERATION

- Move the main switch to position "1".
- The attachment from the accessories can be used to vacuum hard to reach places or liquids and water.

# Hand Vacuum Cleaner

SVC 190B / SVC 190W / SVC 190R

## VACUUMING OF LIQUIDS AND WATER

This vacuum cleaner can also be used to vacuum liquids and water. If vacuuming liquids ensure that the vacuuming angle is approximately 45° so that water is not sucked in through the filter.

When vacuuming water it is necessary to maintain the maximum allowable level (as is marked by a line on the container).



**Note:**

When pouring out the water from the container hold the vacuum cleaner, if possible, with the suction nozzle pointing downwards so that water does not enter the motor and cause irreparable damage.

## REMOVAL OF DUST, CLEANING AND MAINTENANCE OF THE PRODUCT

Before cleaning the product turn it off and disconnect it from the power source. Press the button for releasing the filter cover. The filter cover will come away from the body of the product, and then take out the filter from the cover. Remove all dirty material from the cover.

Cleaning the filter: remove the dust and dirty material from the filter or shake it above a rubbish bin so that the dirty material does not fall over the sides.

If necessary, wash the filter, you can use a weak soap solution and lukewarm water. Allow the filter to dry.



**Note:**

Before inserting the filter back into the product it must be completely dry.

We recommend cleaning the filter after every use. Attaching the cover: Insert the filter into the cover and place on the product.

To clean the product, do not use cleaning agents that cause abrasion, petrol or solvents, for cleaning we recommend a cloth moistened in a weak neutral detergent solution.

Before storing the product, thoroughly clean it and place in a dry location.

Problem	Possible cause	Possible solution
The product does not function	the product wasn't recharged before use	connect the product to the power supply (recharge the batteries)
	the rechargeable batteries are installed incorrectly	contact a service centre
	the product needs to be tuned	contact a service centre
The product does not vacuum, or its power is too low	The filter cover for dirty material is full	Remove the dirty material from the filter cover
	discharged batteries	connect the product to the power supply (recharge the batteries)
Dirty material is coming out of the product	The cover for dirty material is full	remove the dirty material from the filter/filter cover

# Hand Vacuum Cleaner

SVC 190B / SVC 190W / SVC 190R

EN

## DISPOSAL OF USED BATTERIES

This product comes with batteries. Do not dispose of old batteries into regular household waste. Dispose of batteries at designated battery disposal points.

## TECHNICAL SPECIFICATIONS

AC 100-240 V ~50/60 Hz 0,3 A .....	DC 11 V / 0,25 A / 2,75 W
Class .....	II
Noise level .....	80 dB(A)
Rechargeable batteries .....	NiMH, 1400 mAh
Recommended recharging time before first use .....	at least 12 h
Recommended recharging time during regular use .....	12 h
Vacuuming time .....	12 - 15 min
Rated power .....	45 W

The declared noise emission level for this appliance is 80 dB(A), which represents level A of the acoustic power relative to the reference acoustic power of 1 pW.

Amendments to text and technical parameters are reserved.

## INSTRUCTIONS AND INFORMATION REGARDING THE DISPOSAL OF USED PACKAGING MATERIALS

Dispose of packaging material at a public waste disposal site.

## DISPOSAL OF USED ELECTRICAL AND ELECTRONIC APPLIANCES



The meaning of the symbol on the product, its accessory or packaging indicates that this product shall not be treated as household waste. Please, dispose of this product at your applicable collection point for the recycling of electrical & electronic equipment waste. Alternatively in some states of the European Union or other European states you may return your products to your local retailer when buying an equivalent new product. The correct disposal of this product will help save valuable natural resources and help in preventing the potential negative impact on the environment and human health, which could be caused as a result of improper liquidation of waste. Please ask your local authorities or the nearest waste collection centre for further details. The improper disposal of this type of waste may fall subject to national regulations for fines.

### For business entities in the European Union

If you wish to dispose of an electrical or electronic device, request the necessary information from your seller or supplier.

### Disposal in other countries outside the European Union

If you wish to dispose of this product, request the necessary information about the correct disposal method from local government departments or from your seller.



This product meets all the basic EU regulation requirements that relate to it.

Changes to the text, design and technical specifications may occur without prior notice and we reserve the right to make these changes.

# Hand Vacuum Cleaner

SVC 190B / SVC 190W / SVC 190R

## NOTES