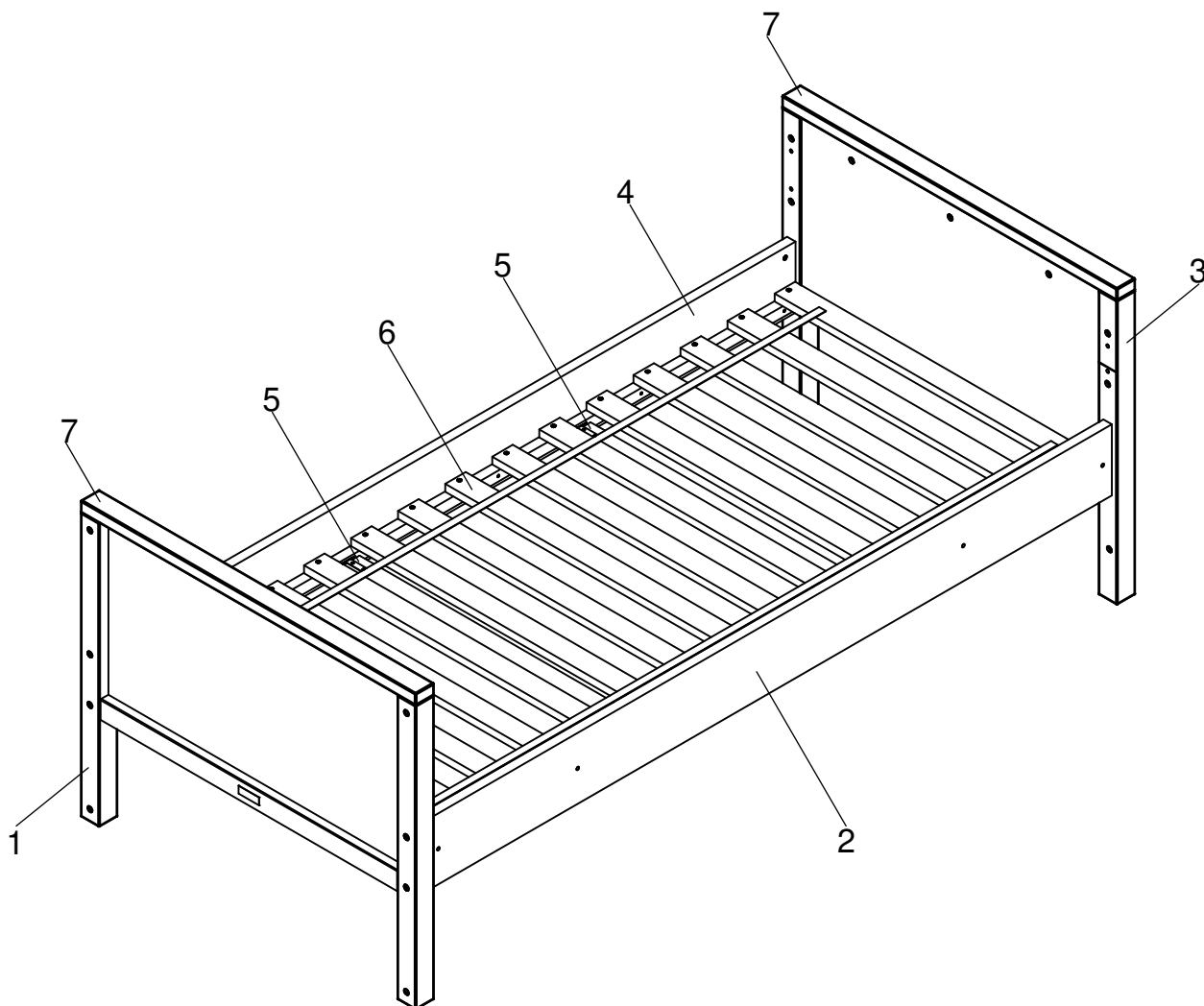


bopita®

ASSEMBLY INSTRUCTION
MONTAGE HANDLEIDING
MONTAGE ANLEITUNG
NOTICE DE MONTAGE
MANUAL DE MONTAJE

UK
NL
D
F
ESP

MODEL :NORDIC
TYPE :BASIC BED 90X200
COLOUR :WHITE
ART.CODE :430139.11.

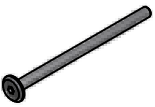



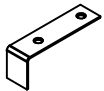






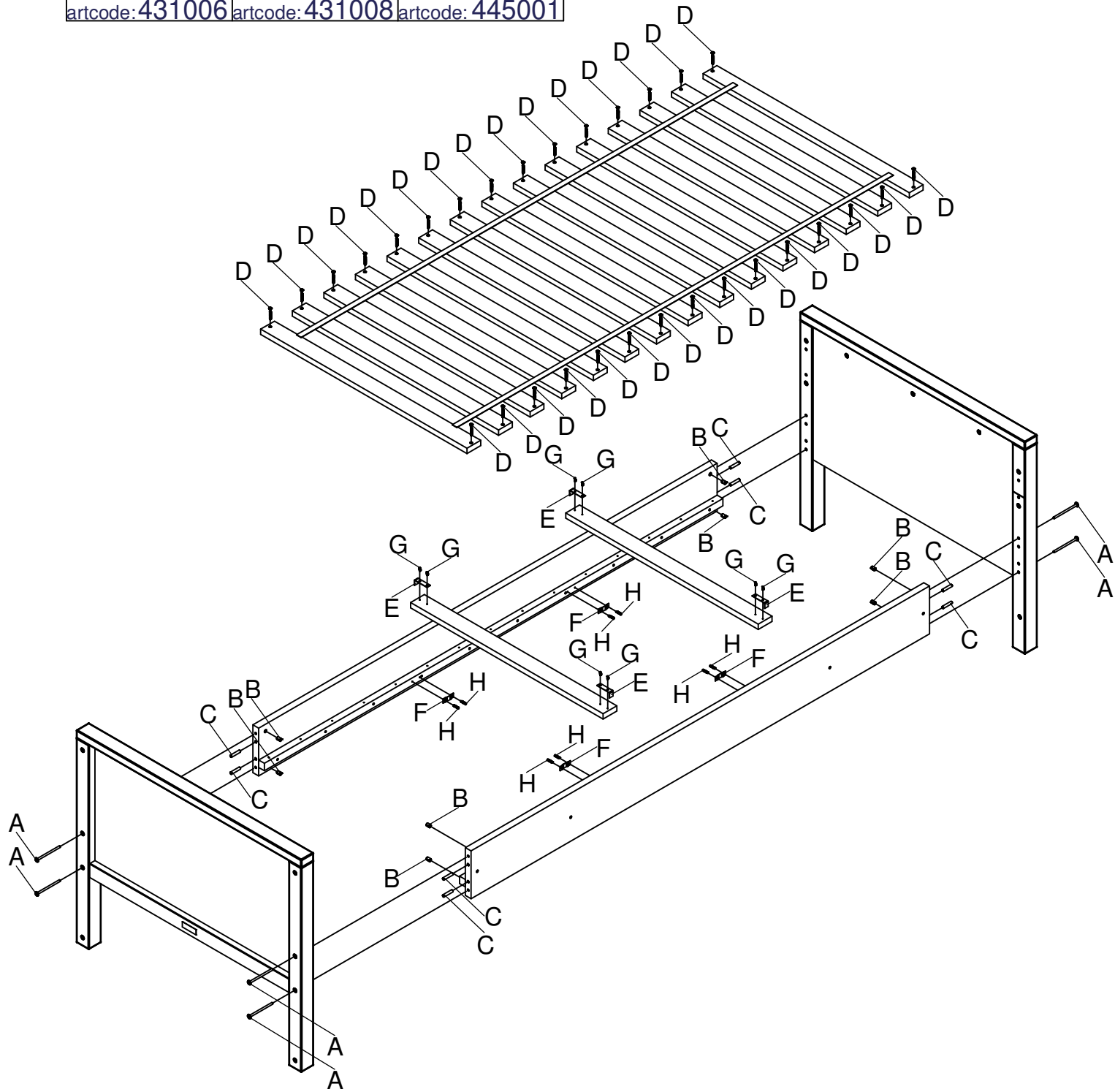
Distributor:

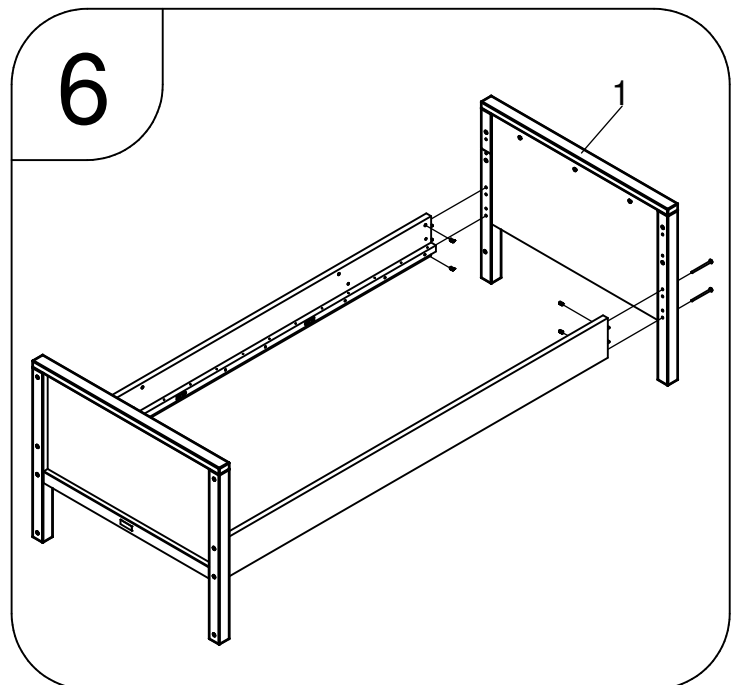
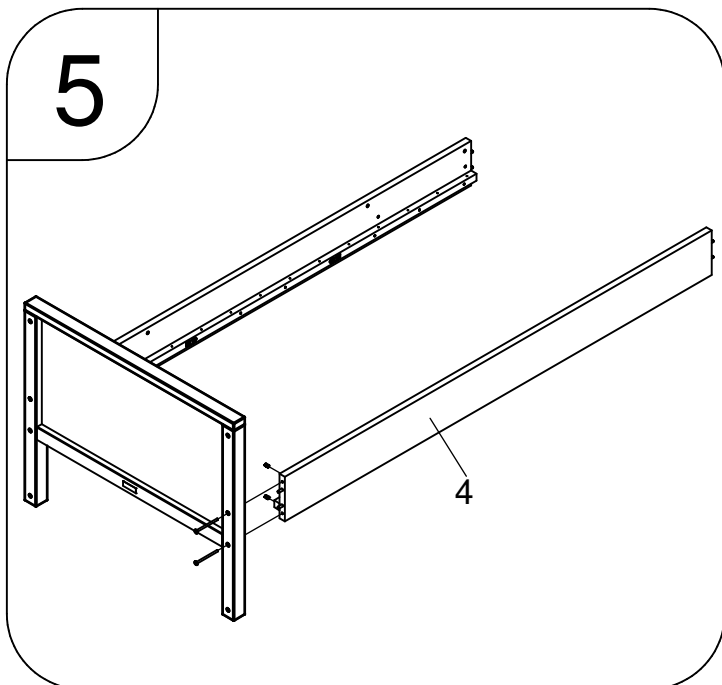
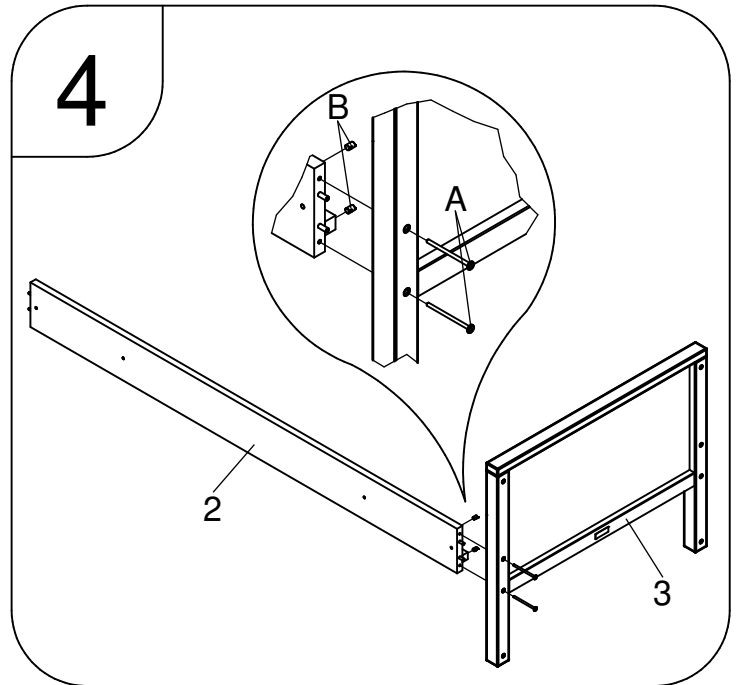
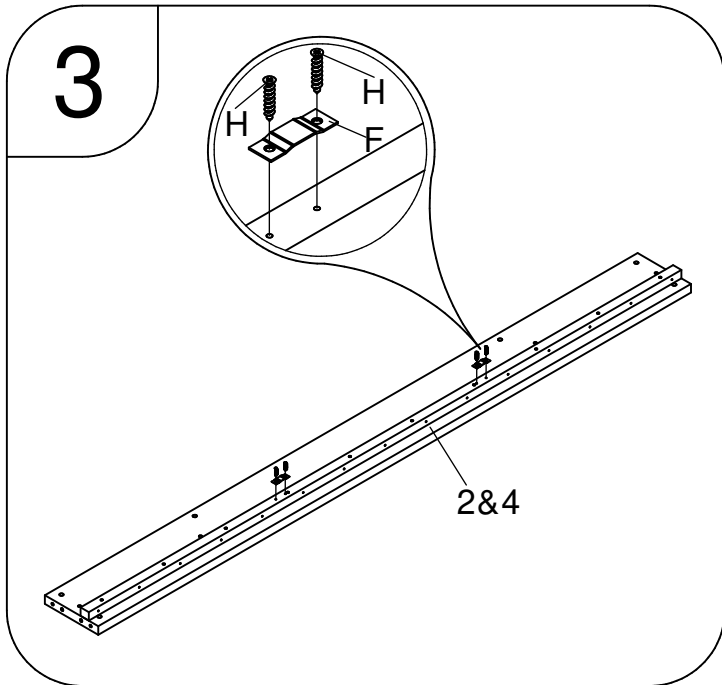
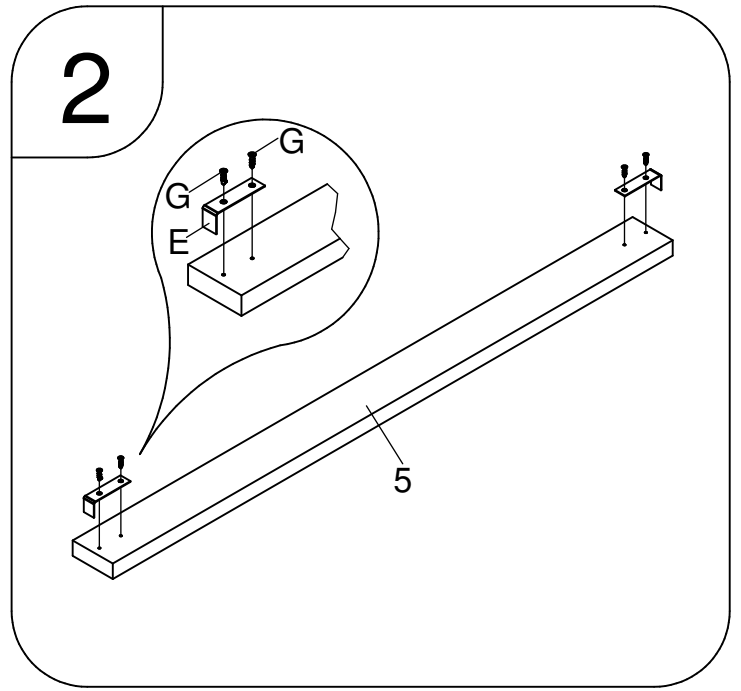
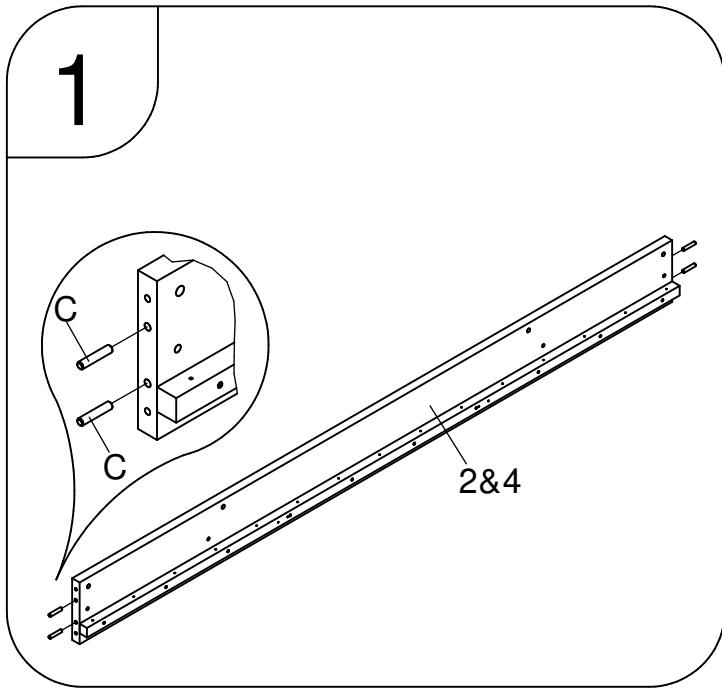
BOPITA
Edisonweg 3, 6662 NW Elst
The Netherlands

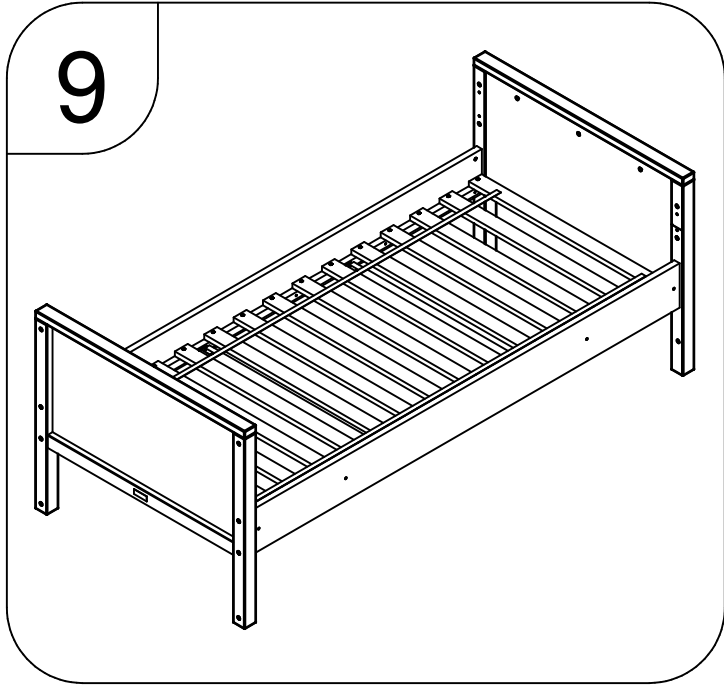
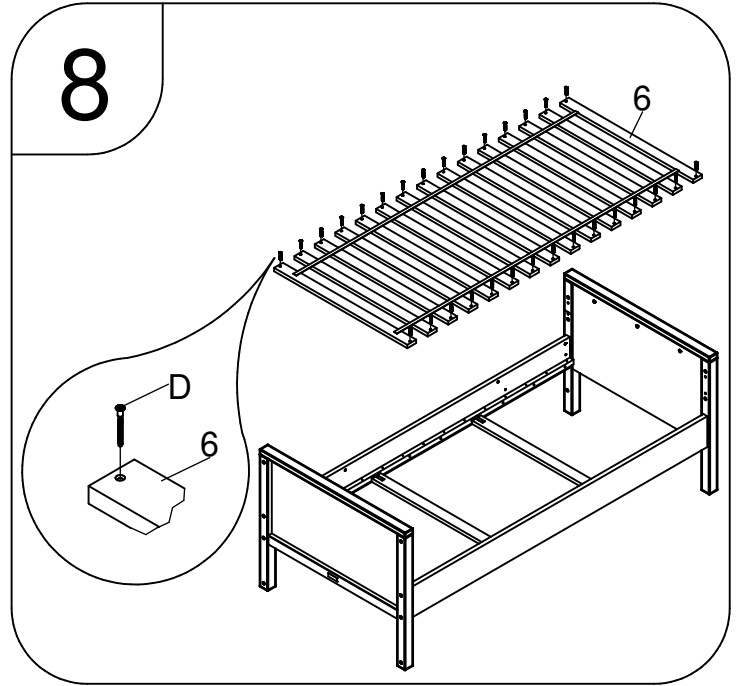
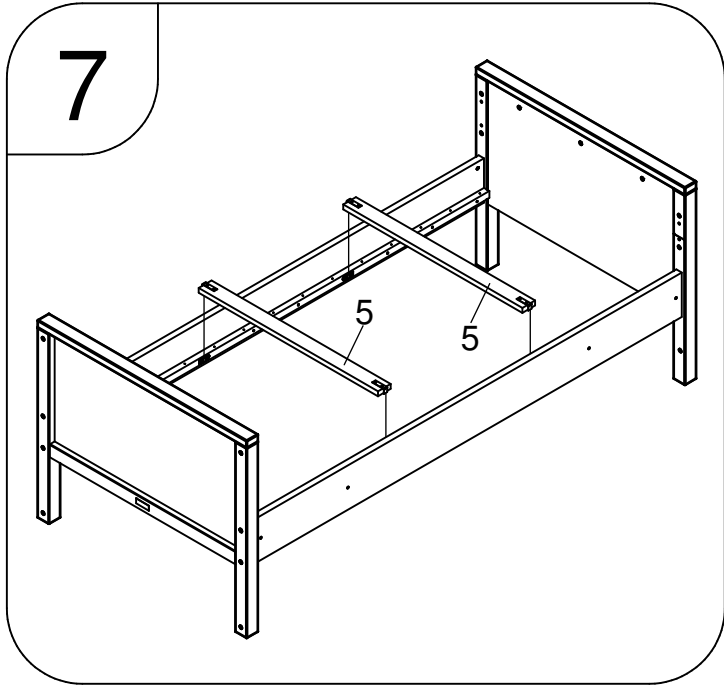
www.bopita.com

28.11.2013.

<p>A</p> 	<p>B</p> 	<p>C</p> 	<p>D</p> 	<p>E</p> 	<p>F</p> 
<p>M6X100 8X</p>	<p>M6 8X</p>	<p>Ø8X40 8X</p>	<p>5X40 30X</p>	<p>4X</p>	<p>4X</p>
<p>artcode:441028</p>	<p>artcode:442004</p>	<p>artcode:</p>	<p>artcode:431034</p>	<p>artcode:446018</p>	<p>artcode:446107</p>
<p>G</p> 	<p>H</p> 	<p>I</p> 			
<p>3,5X16 8X</p>	<p>3,5X25 8X</p>	<p>1X</p>			
<p>artcode:431006</p>	<p>artcode:431008</p>	<p>artcode:445001</p>			





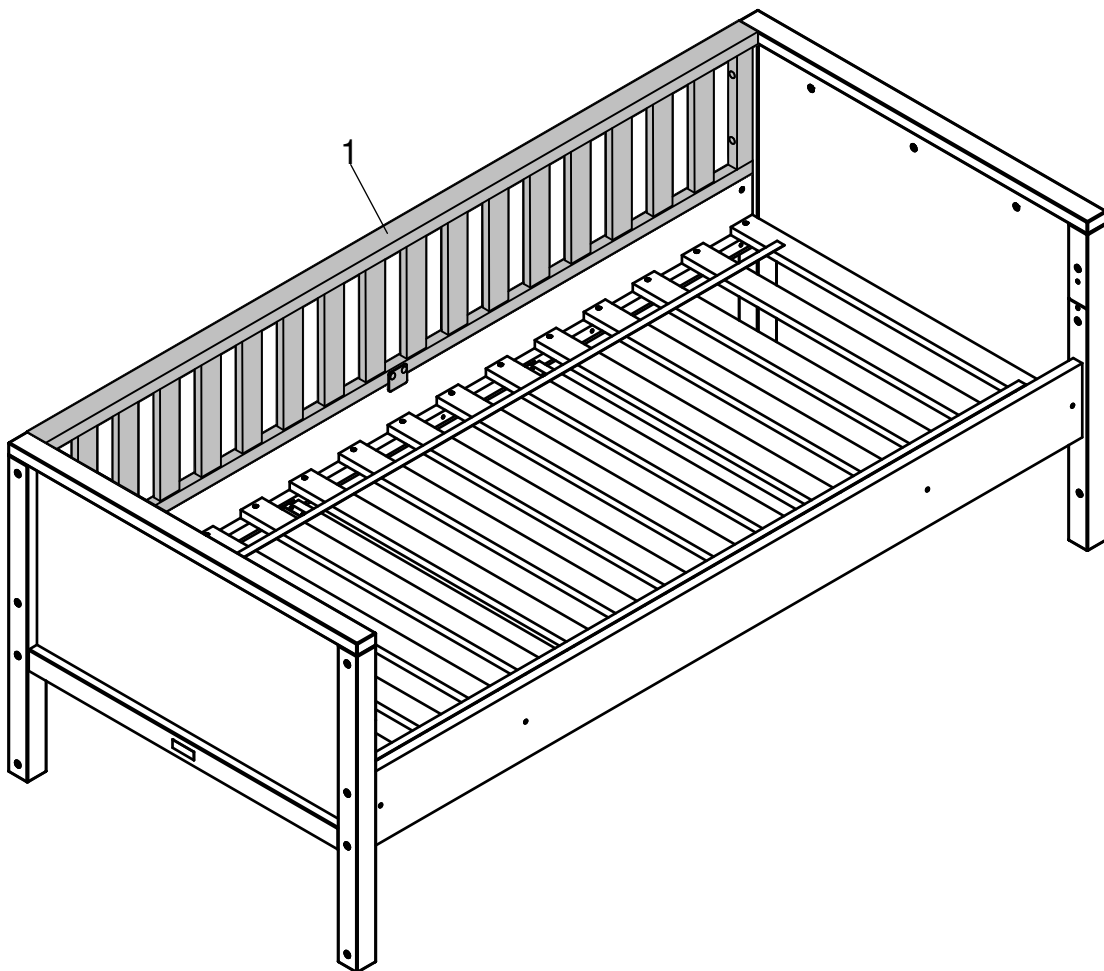


bopita[®]

ASSEMBLY INSTRUCTION
MONTAGE HANDLEIDING
MONTAGE ANLEITUNG
NOTICE DE MONTAGE
MANUAL DE MONTAJE

UK
NL
D
F
ESP

MODEL : NORDIC
TYPE : BACKSIDE
COLOUR : WHITE
ART.CODE : 416139.11.



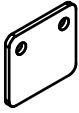




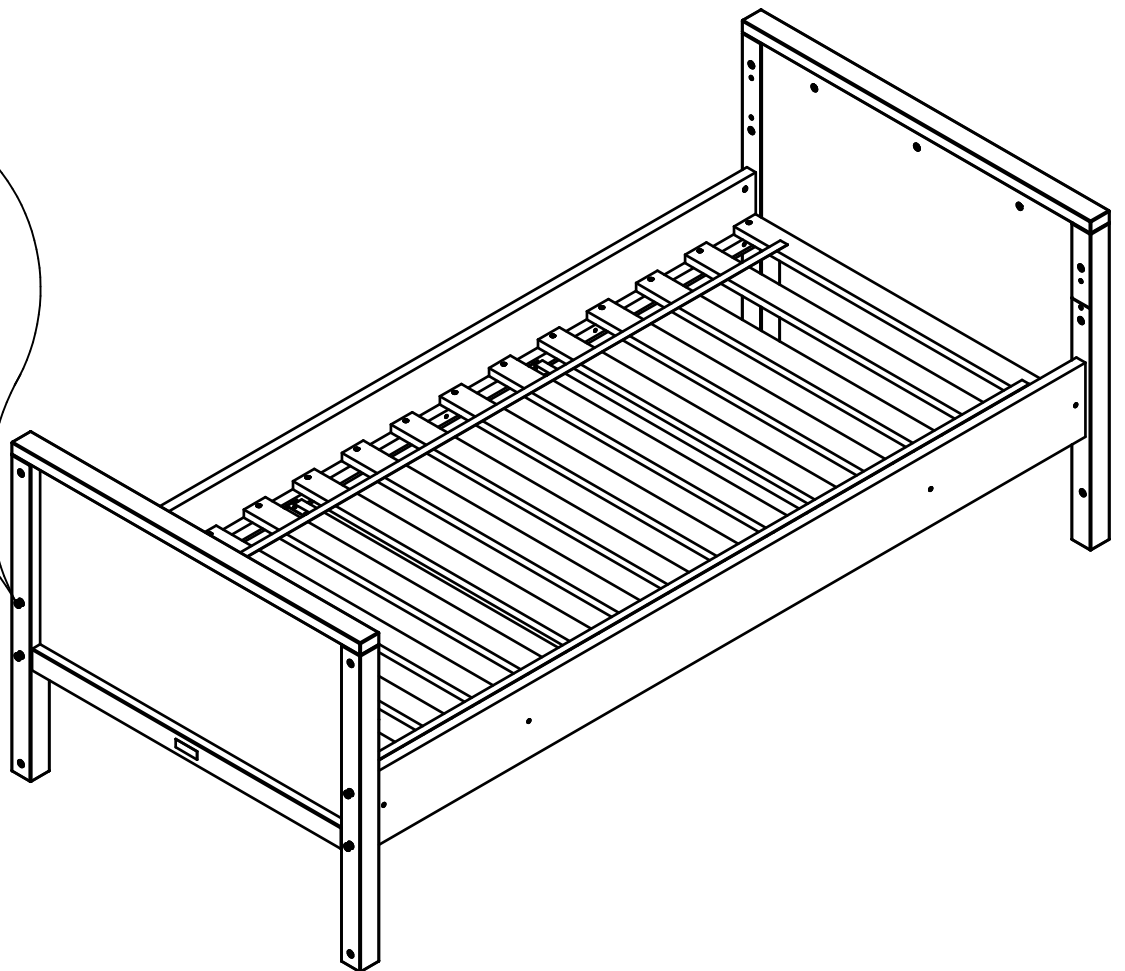
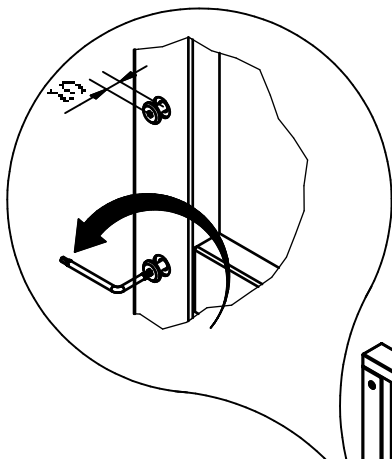
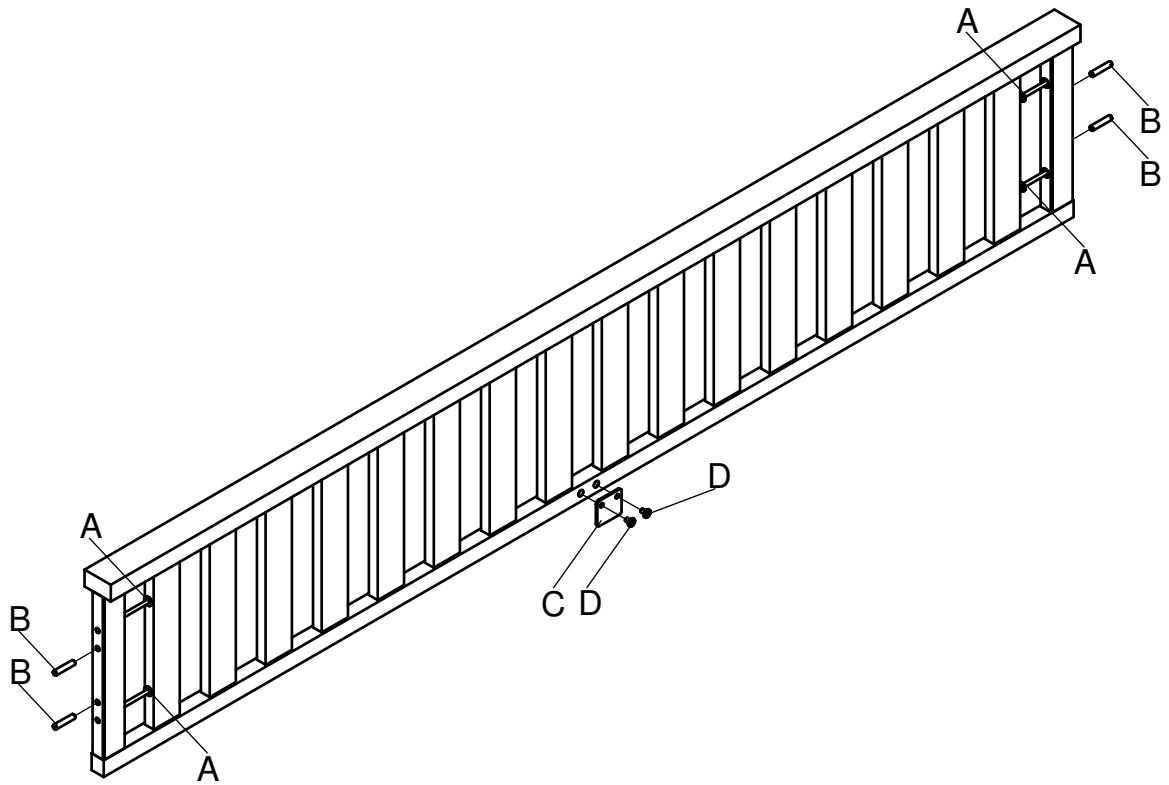
Distributor:

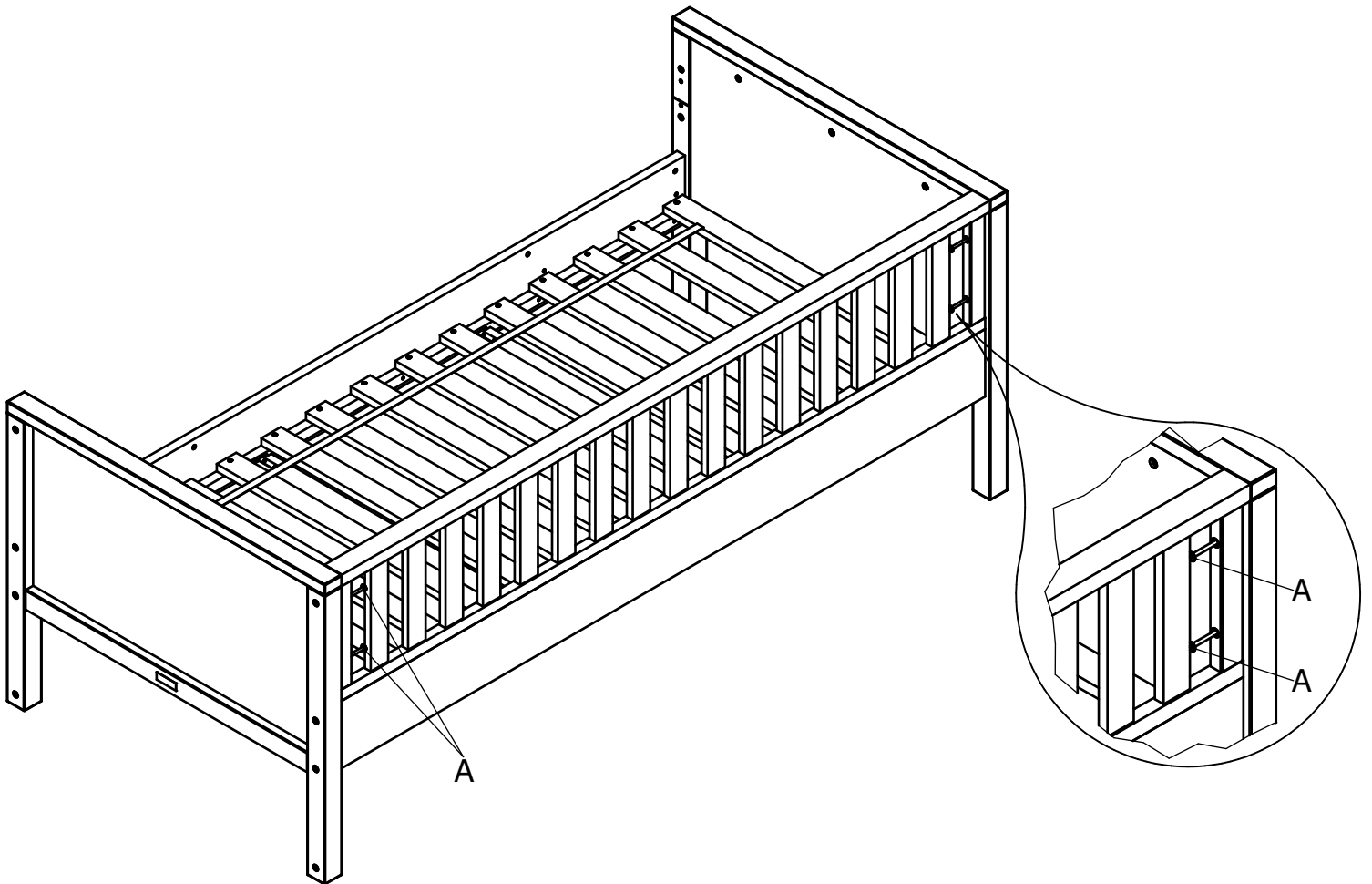
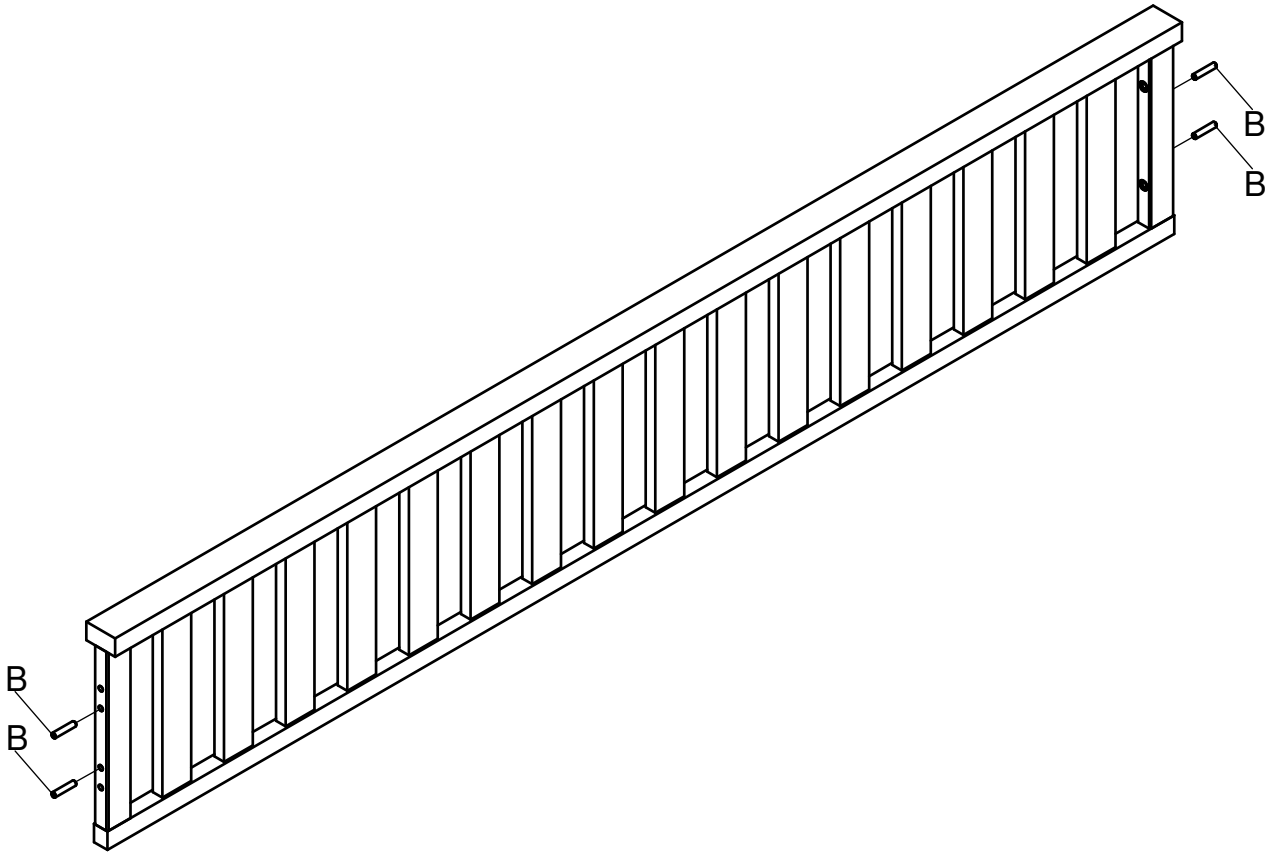
BOPITA
Edisonweg 3, 6662 NW Elst
The Netherlands

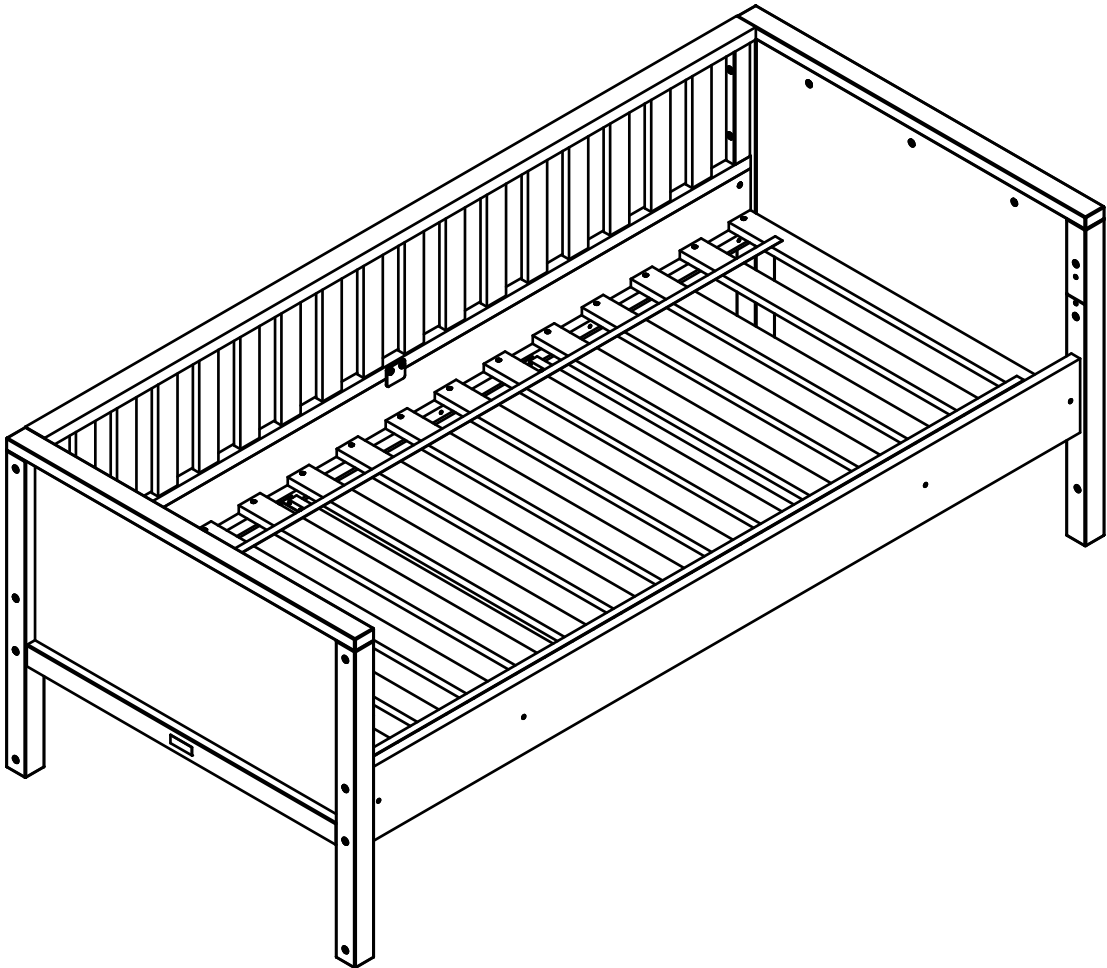
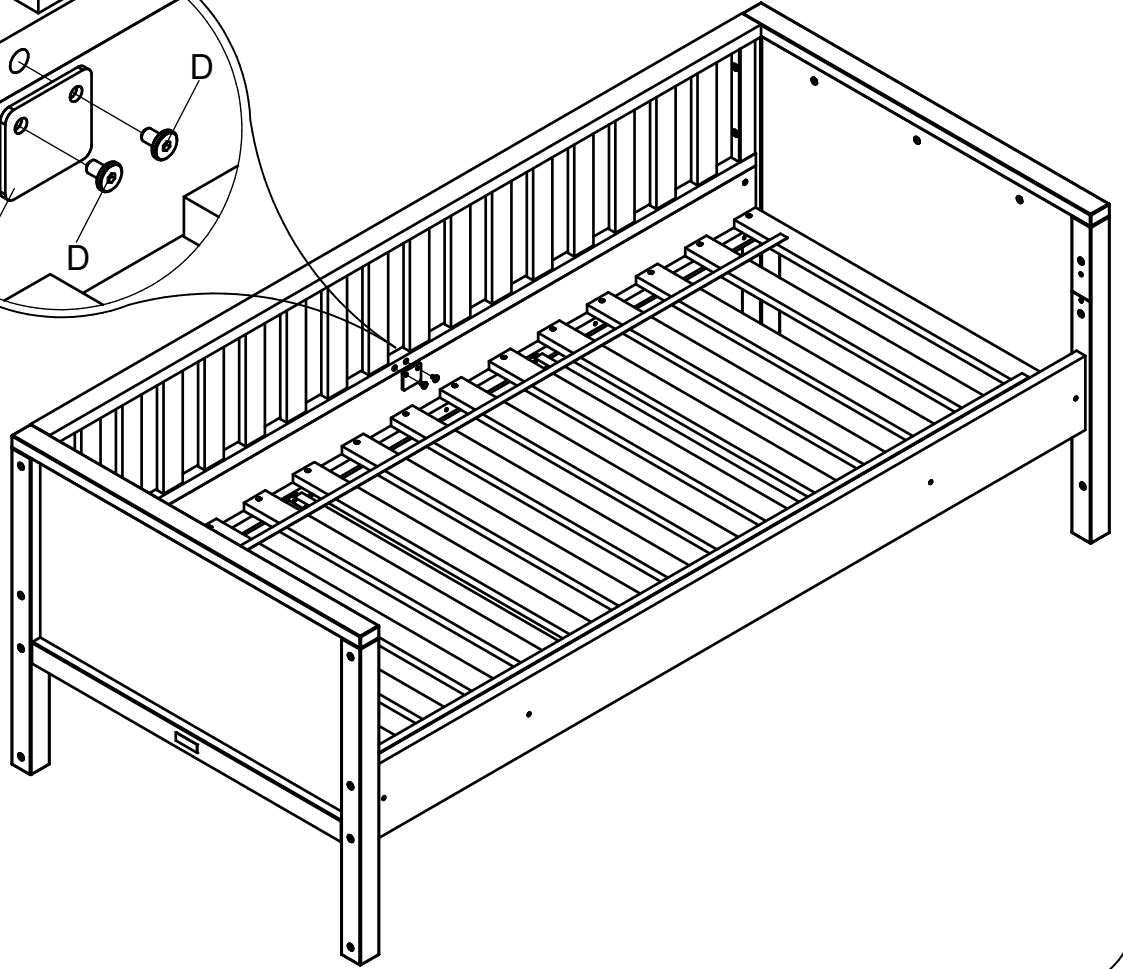
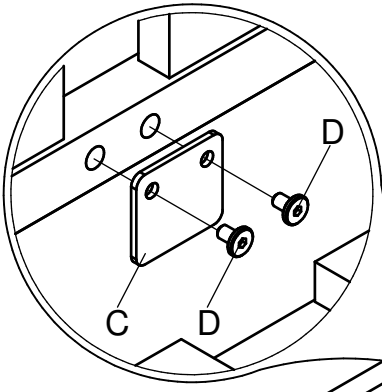
www.bopita.com

10.11.2014.

<p>A</p>  <p>M6X60 4X</p> <p>artcode: 441040</p>	<p>B</p>  <p>Ø8X40 4X</p> <p>artcode:</p>	<p>C</p>  <p>1X</p> <p>artcode: 446026</p>	<p>D</p>  <p>M6X10 2X</p> <p>artcode: 441001</p>	<p>E</p>  <p>1X</p> <p>artcode: 445001</p>
---	--	--	---	---





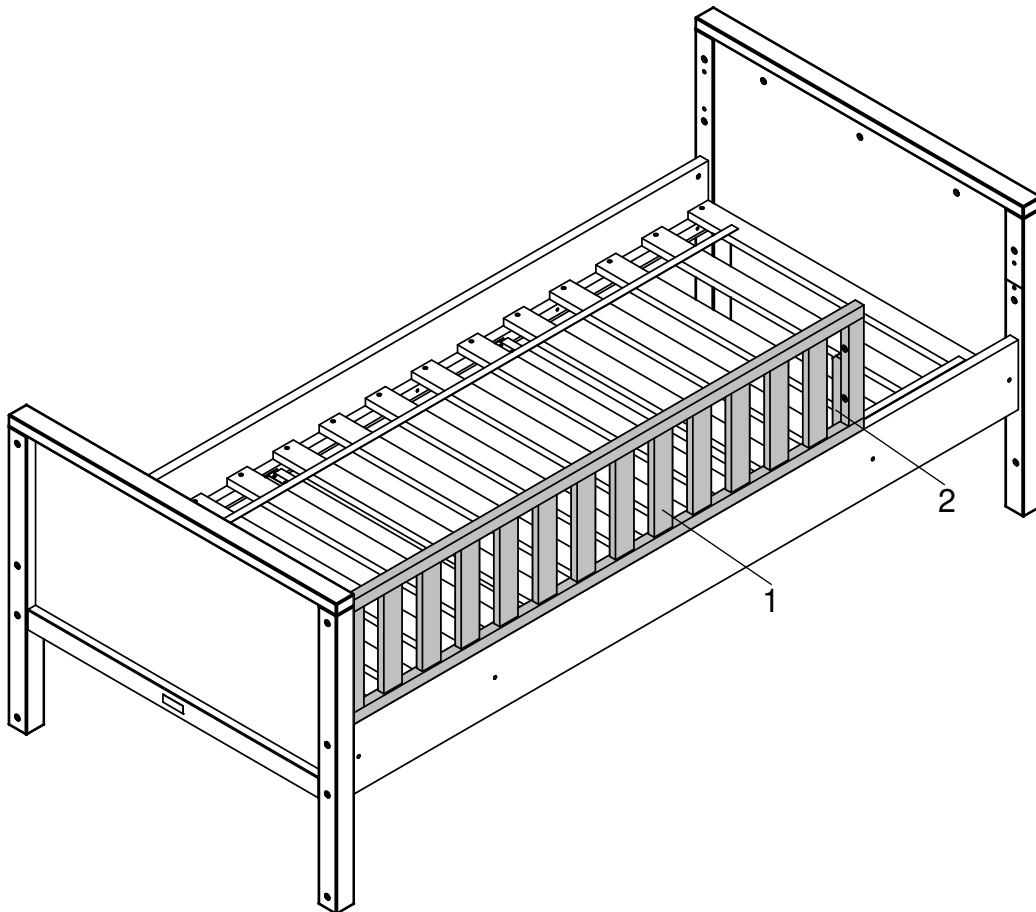


bopita®

ASSEMBLY INSTRUCTION
MONTAGE HANDLEIDING
MONTAGE ANLEITUNG
NOTICE DE MONTAGE
MANUAL DE MONTAJE

UK
NL
D
F
ESP

MODEL :NORDIC
TYPE :PROTECTION SIDE
COLOUR :WHITE
ART.CODE :417139.11.




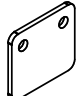
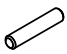
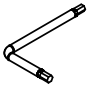


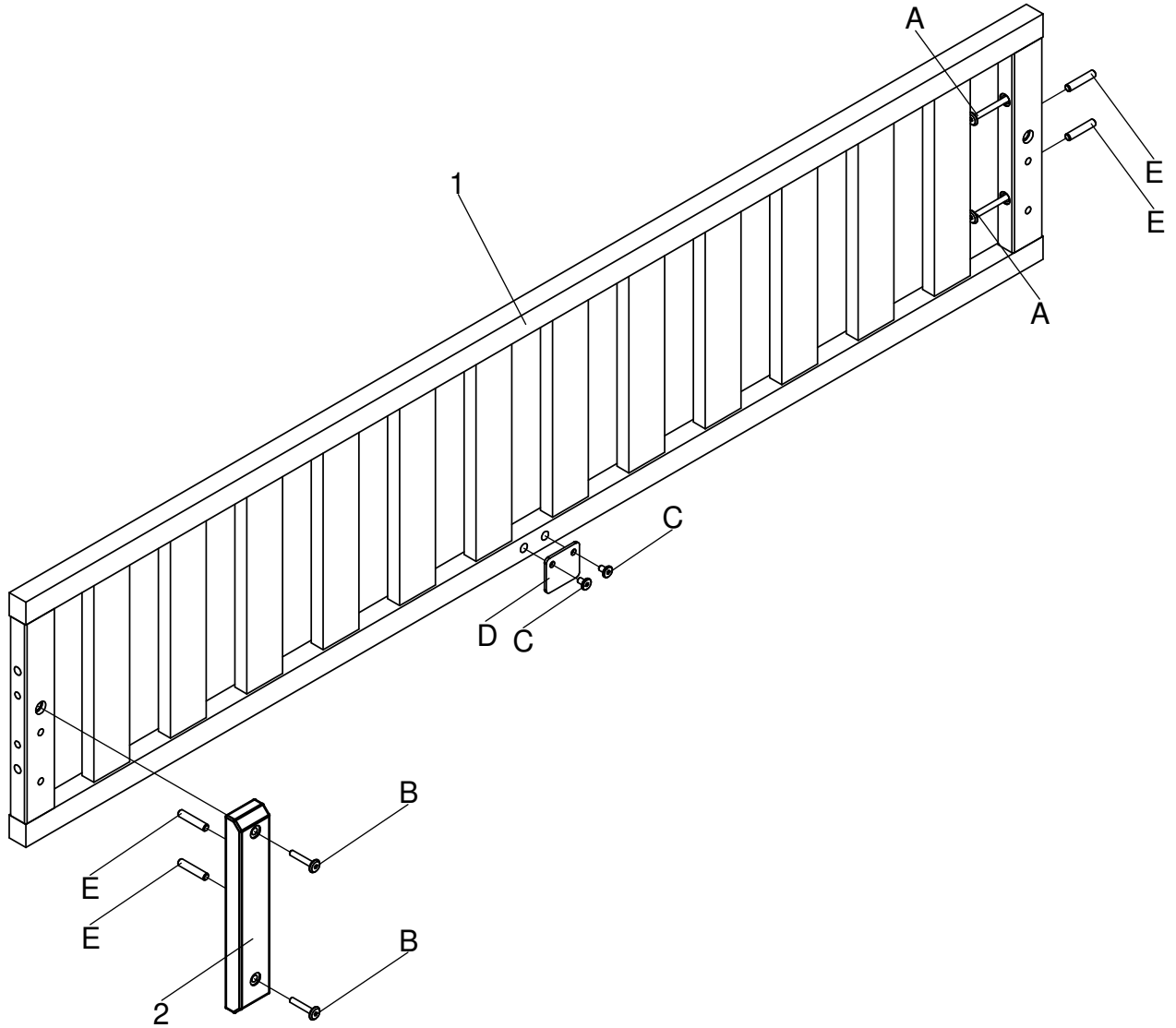
Distributor:

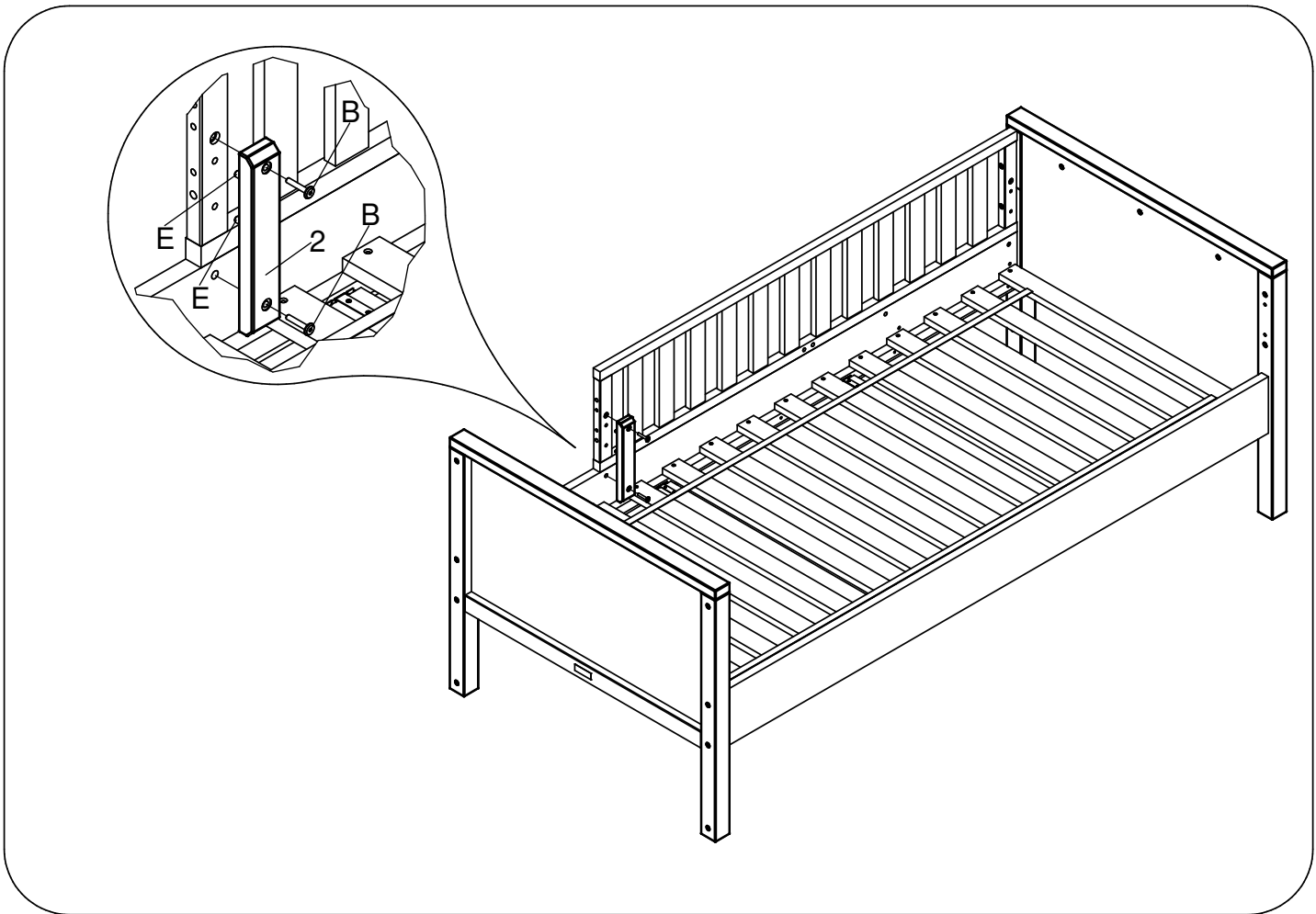
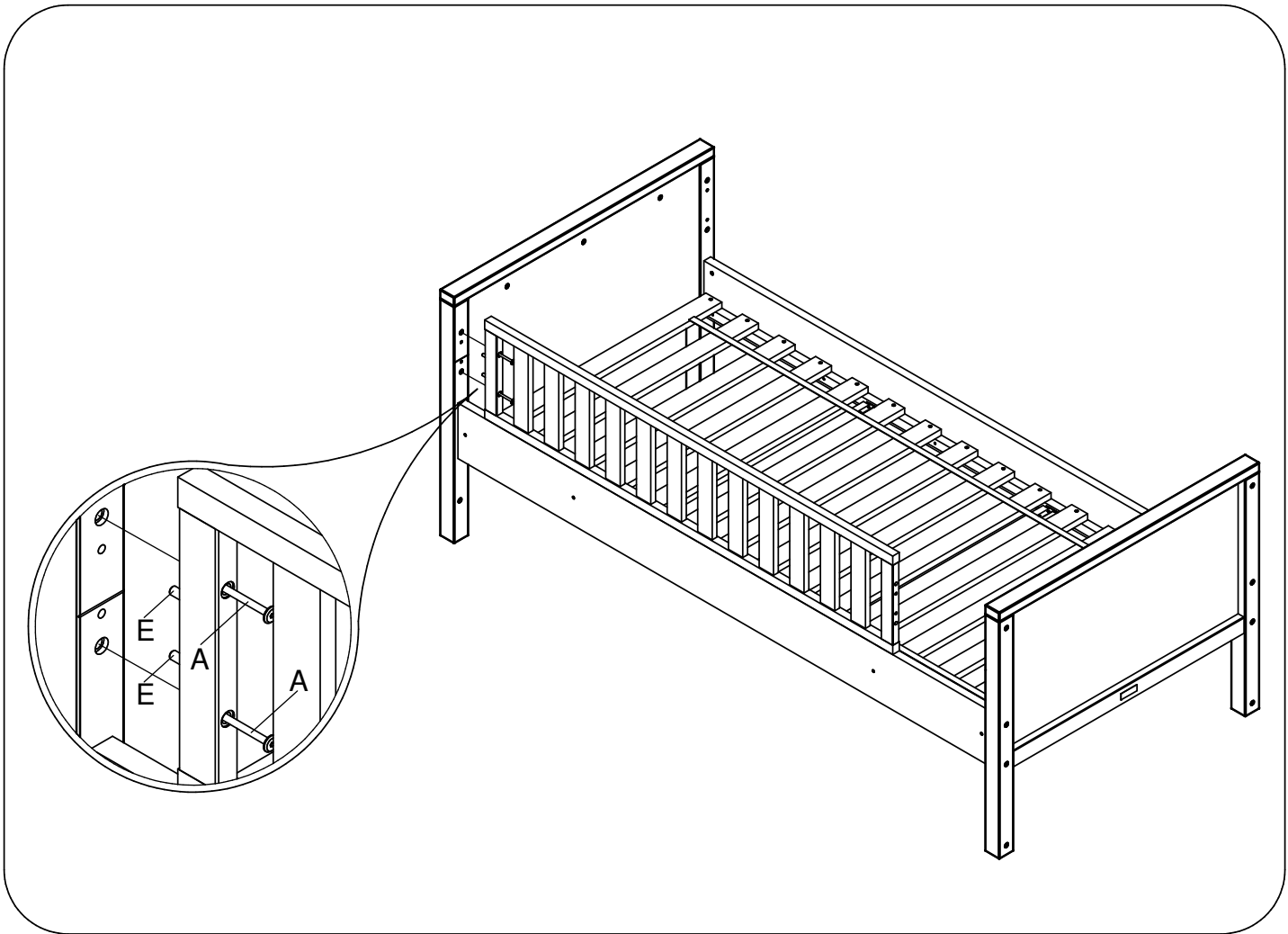
BOPITA
Edisonweg 3, 6662 NW Elst
The Netherlands

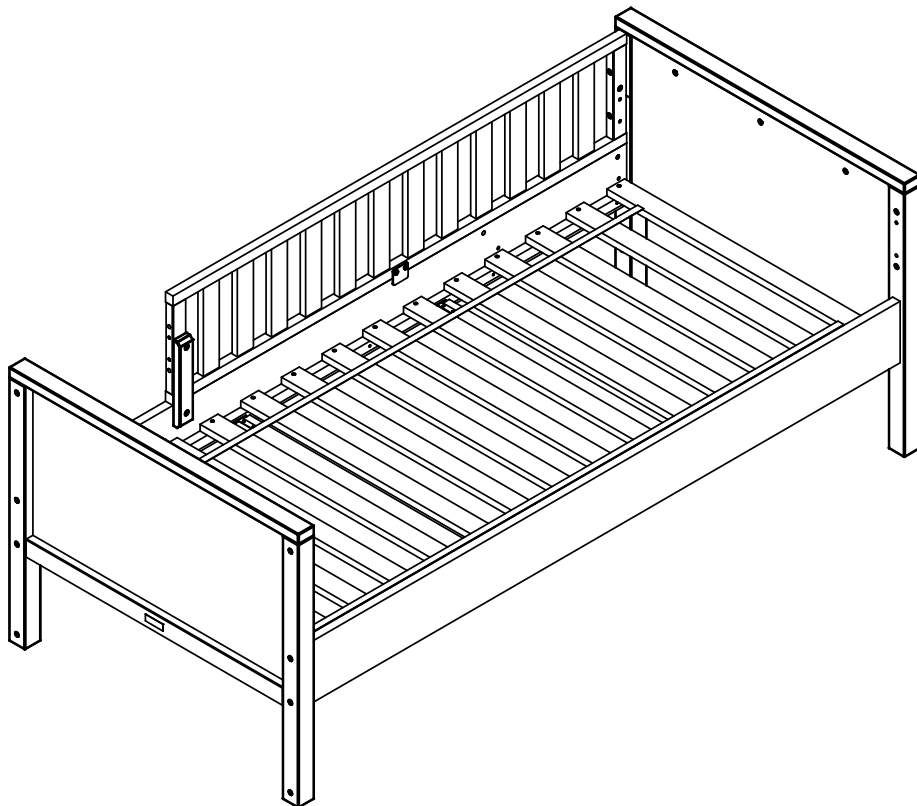
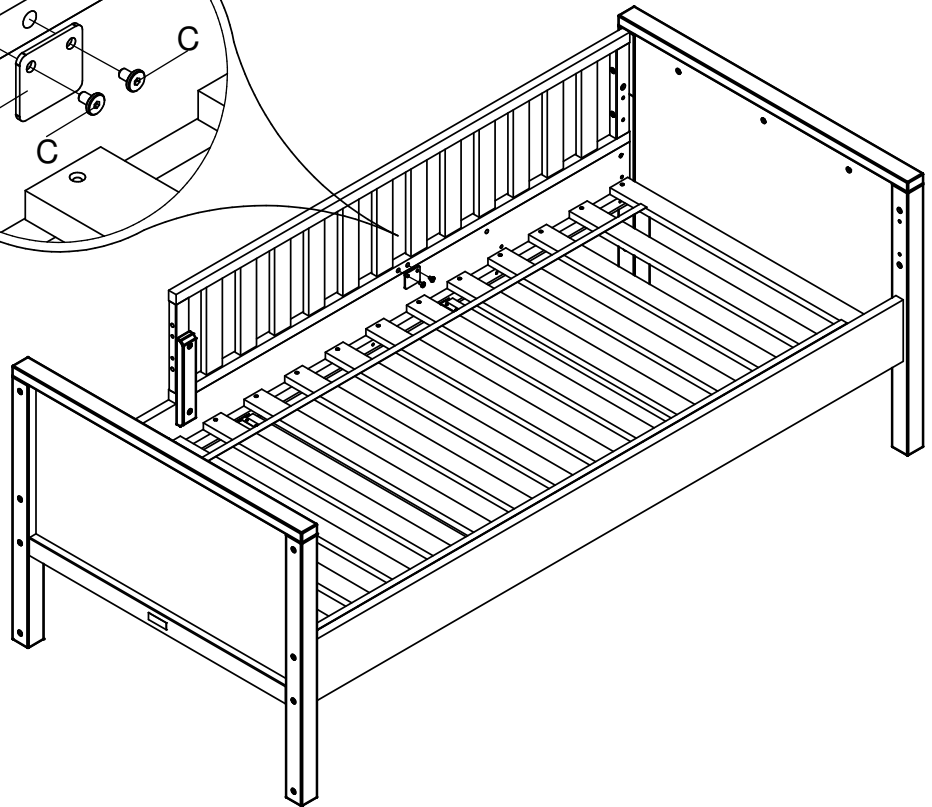
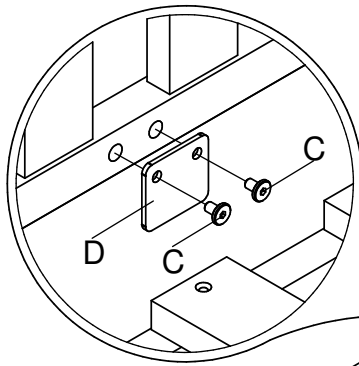
www.bopita.com

13.01.2014.

A 	B 	C 	D 	E 	F 
M6X60 2X	M6x35 2X	M6X10 2X	1X	Ø8X40 4X	1X
artcode: 441040	artcode: 441013	artcode: 441001	artcode: 446026	artcode:	artcode: 445001





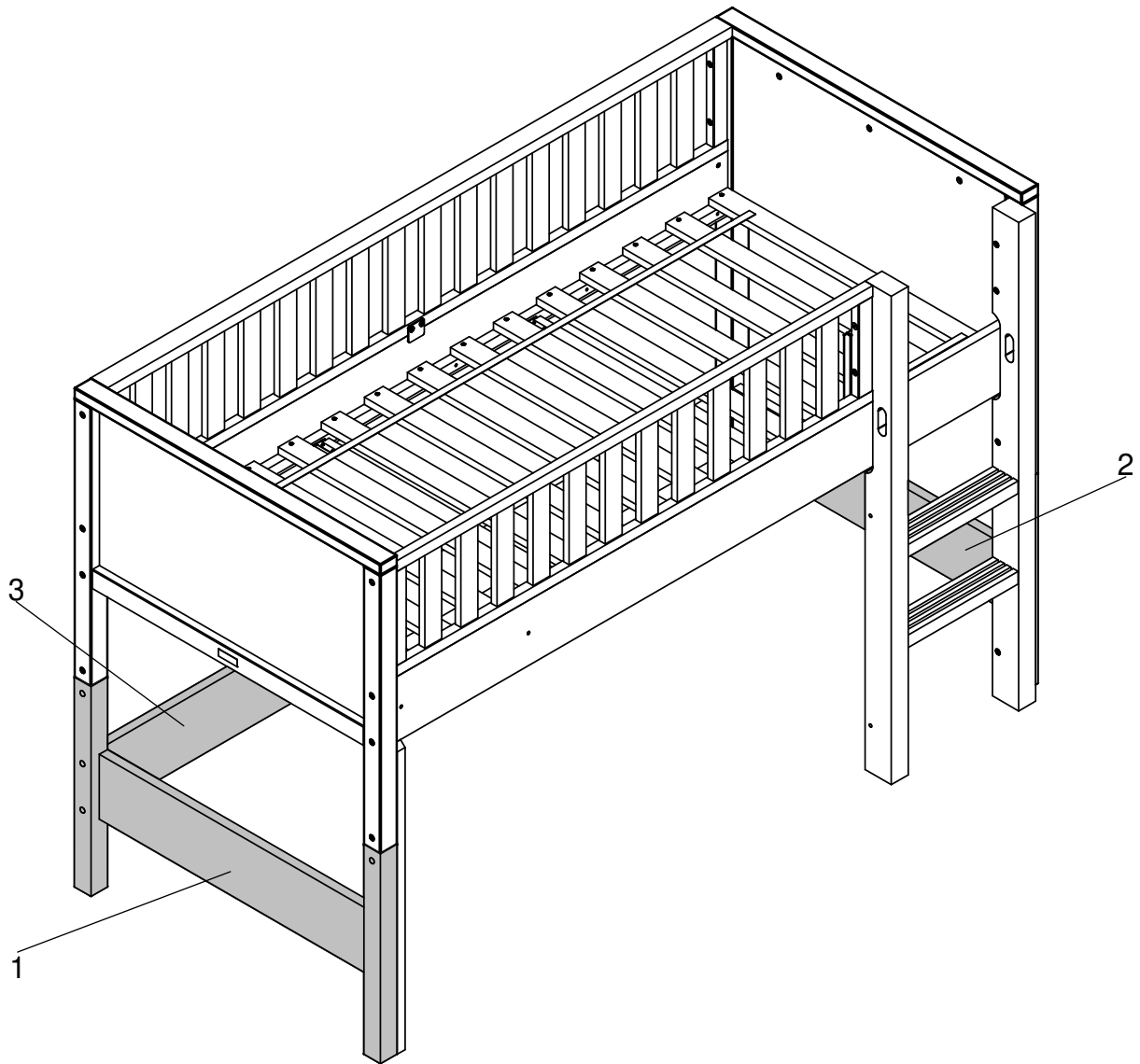


bopita®

ASSEMBLY INSTRUCTION
MONTAGE HANDLEIDING
MONTAGE ANLEITUNG
NOTICE DE MONTAGE
MANUAL DE MONTAJE

UK
NL
D
F
ESP

MODEL :NORDIC
TYPE :SUPPORTSET HHS
COLOUR :WHITE
ART.CODE :420139.11.






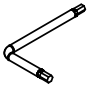


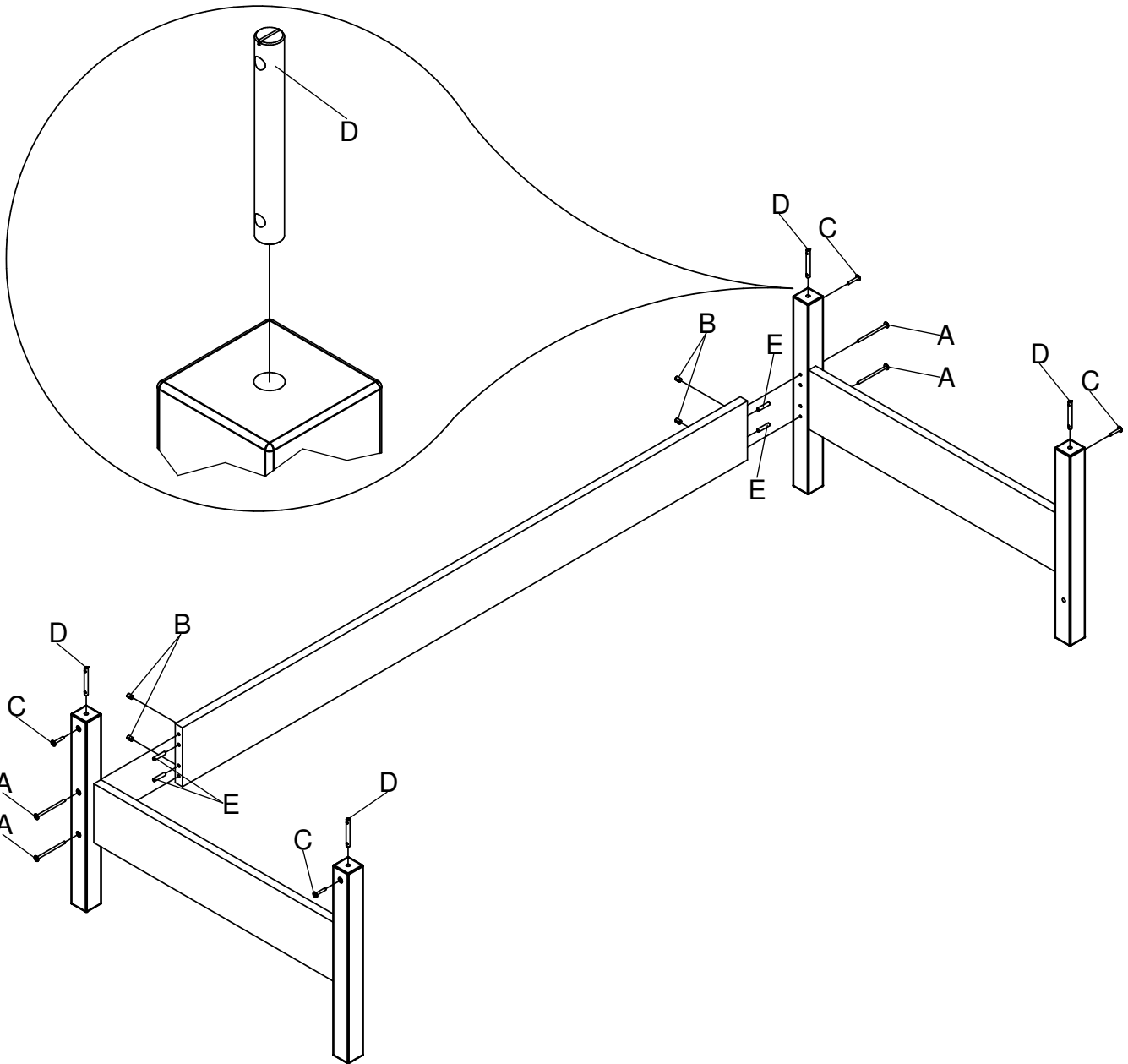
Distributor:

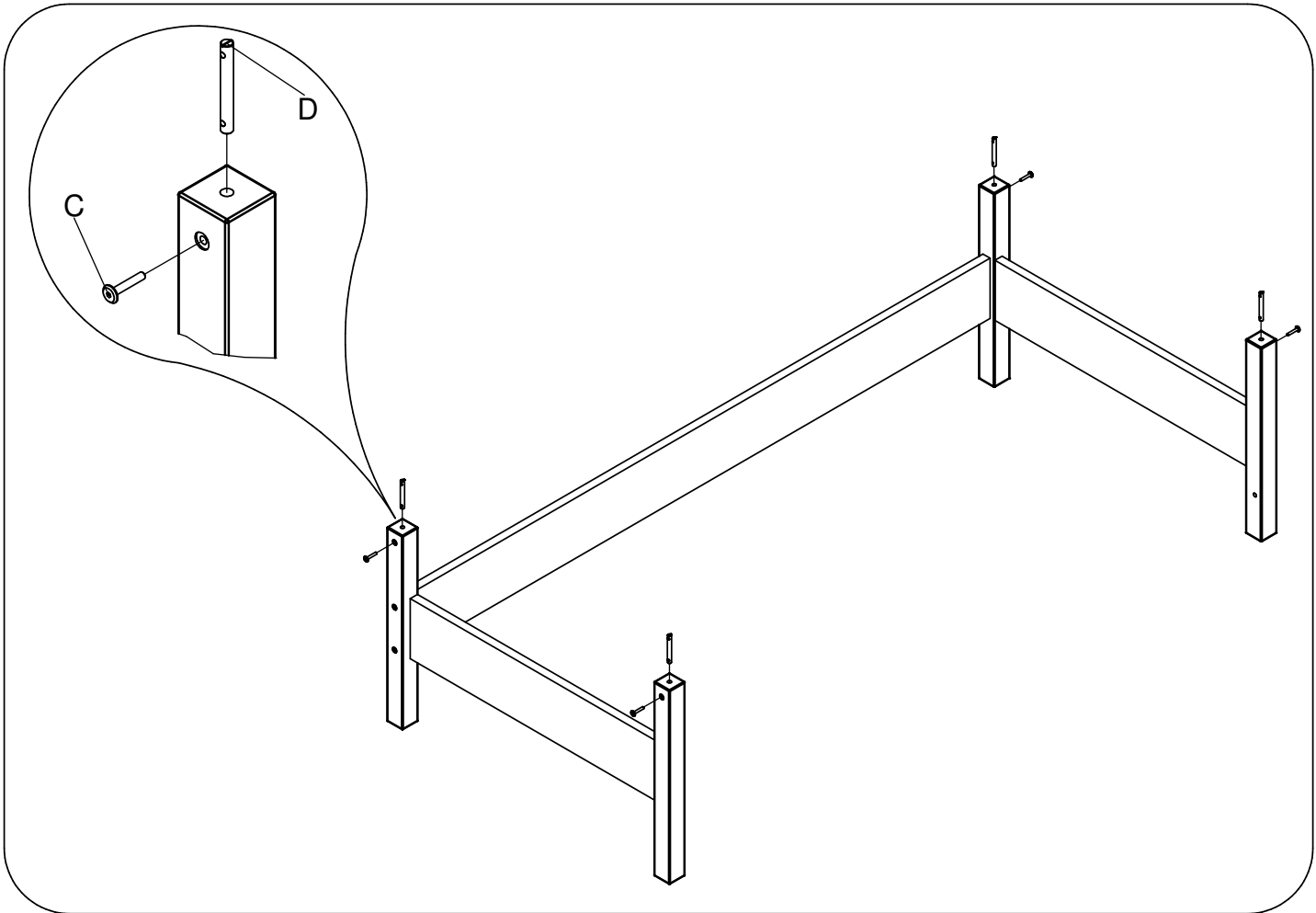
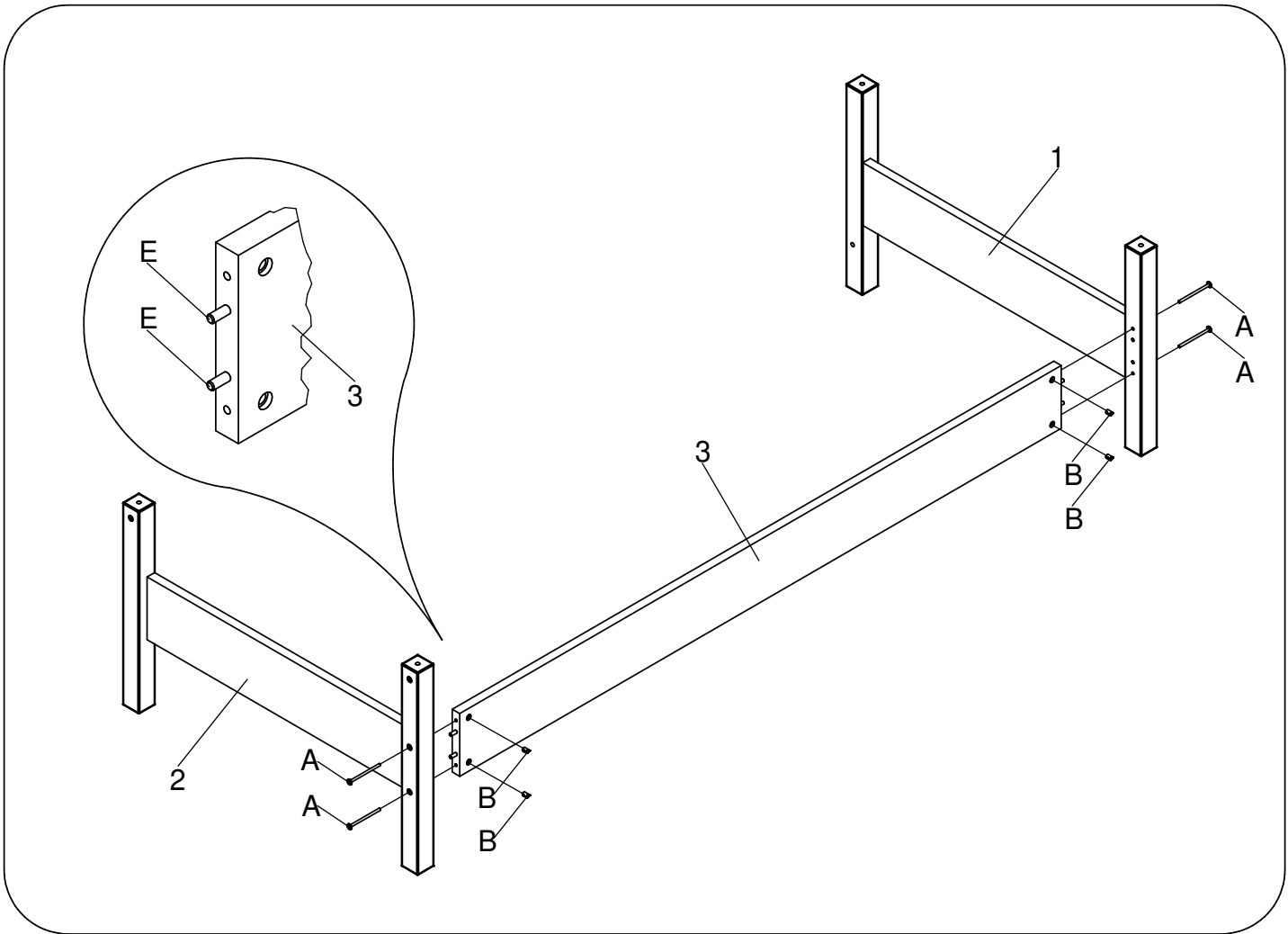
BOPITA
Edisonweg 3, 6662 NW Elst
The Netherlands

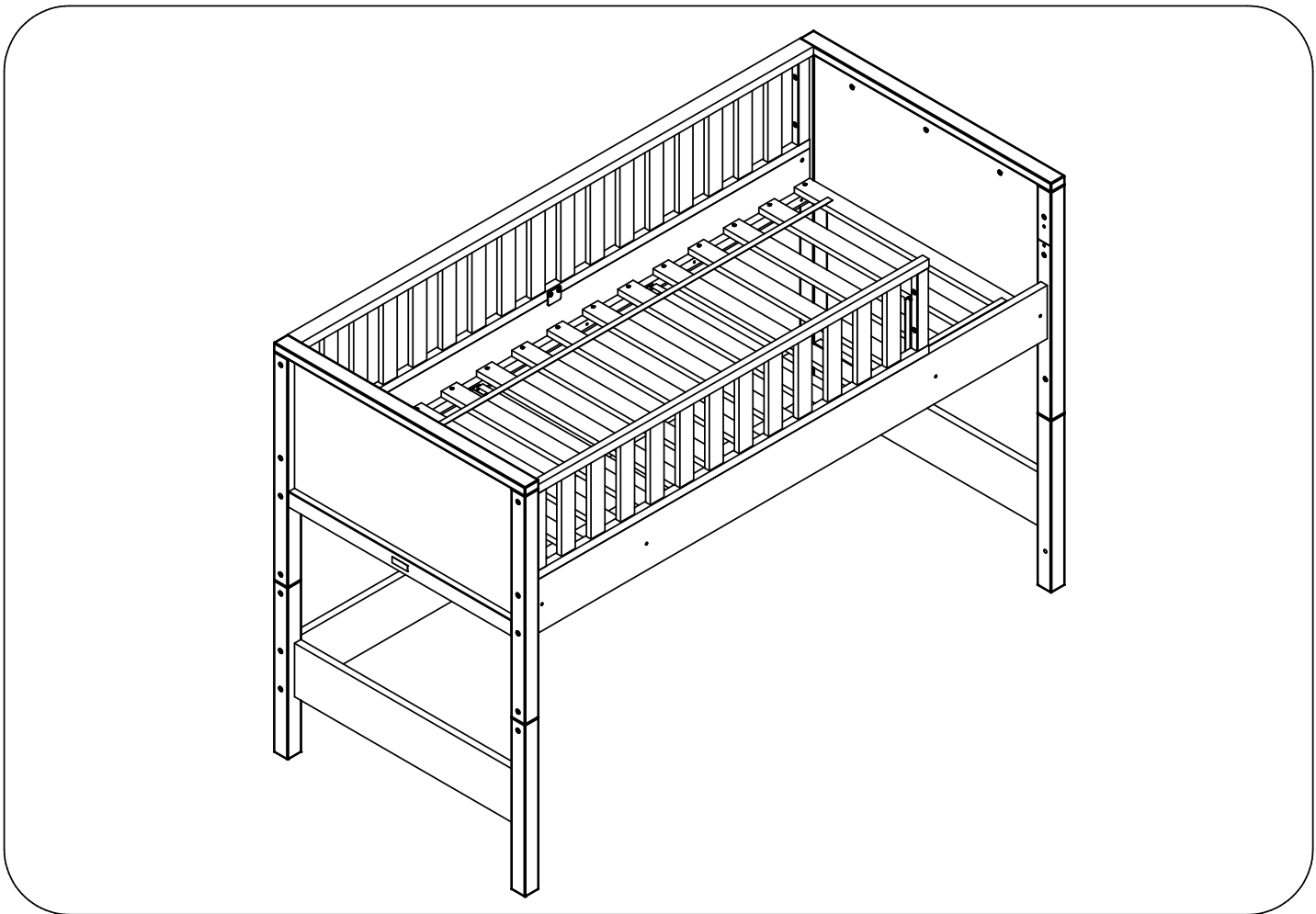
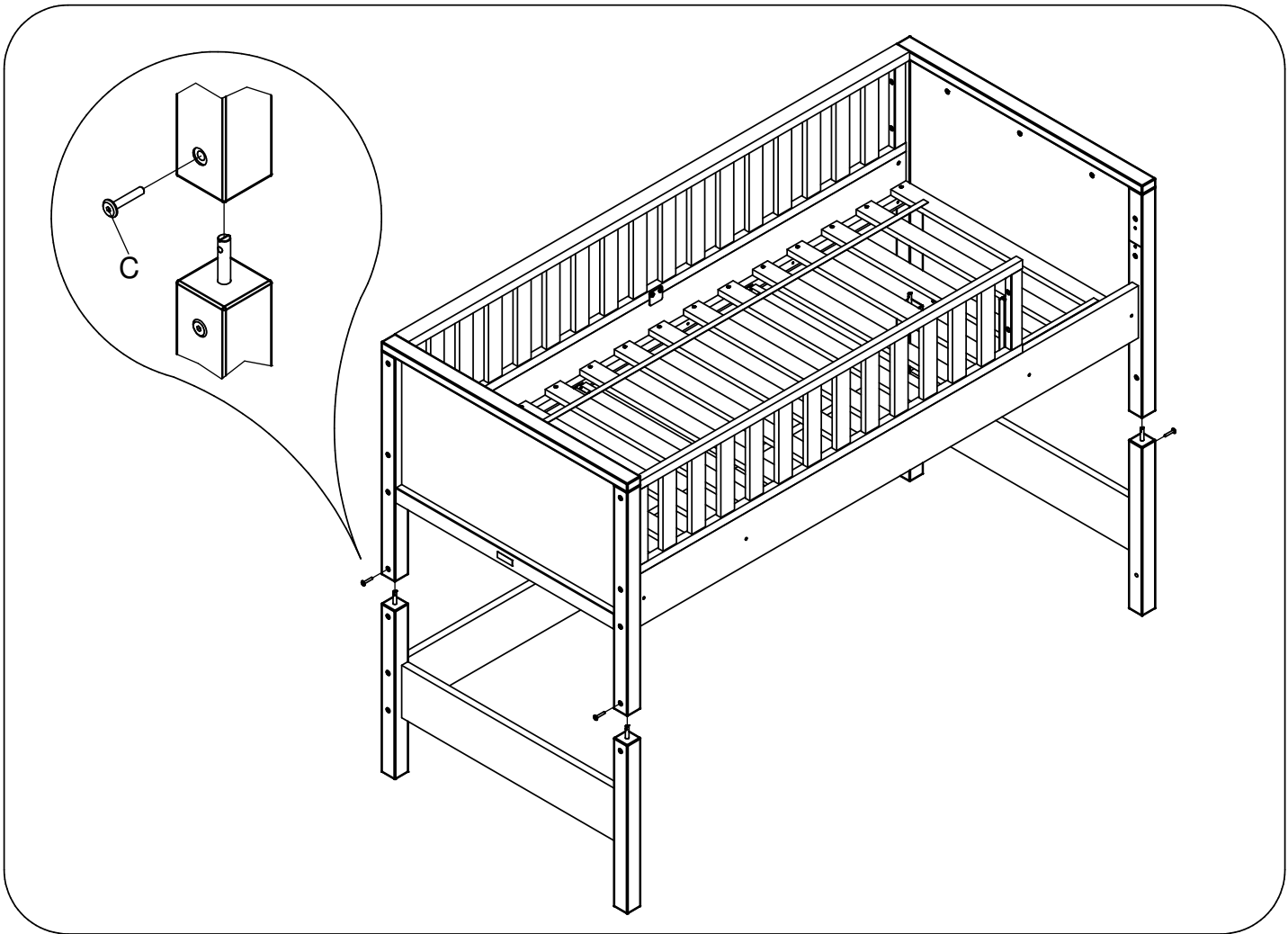
www.bopita.com

27.11.2013.

A 	B 	C 	D 	E 	F 
M6X100 4X	M6 4X	M6X35 8X	4X	Ø8X40 4X	1X
artcode: 441028	artcode: 442004	artcode: 441013	artcode: 442013	artcode:	artcode: 445001





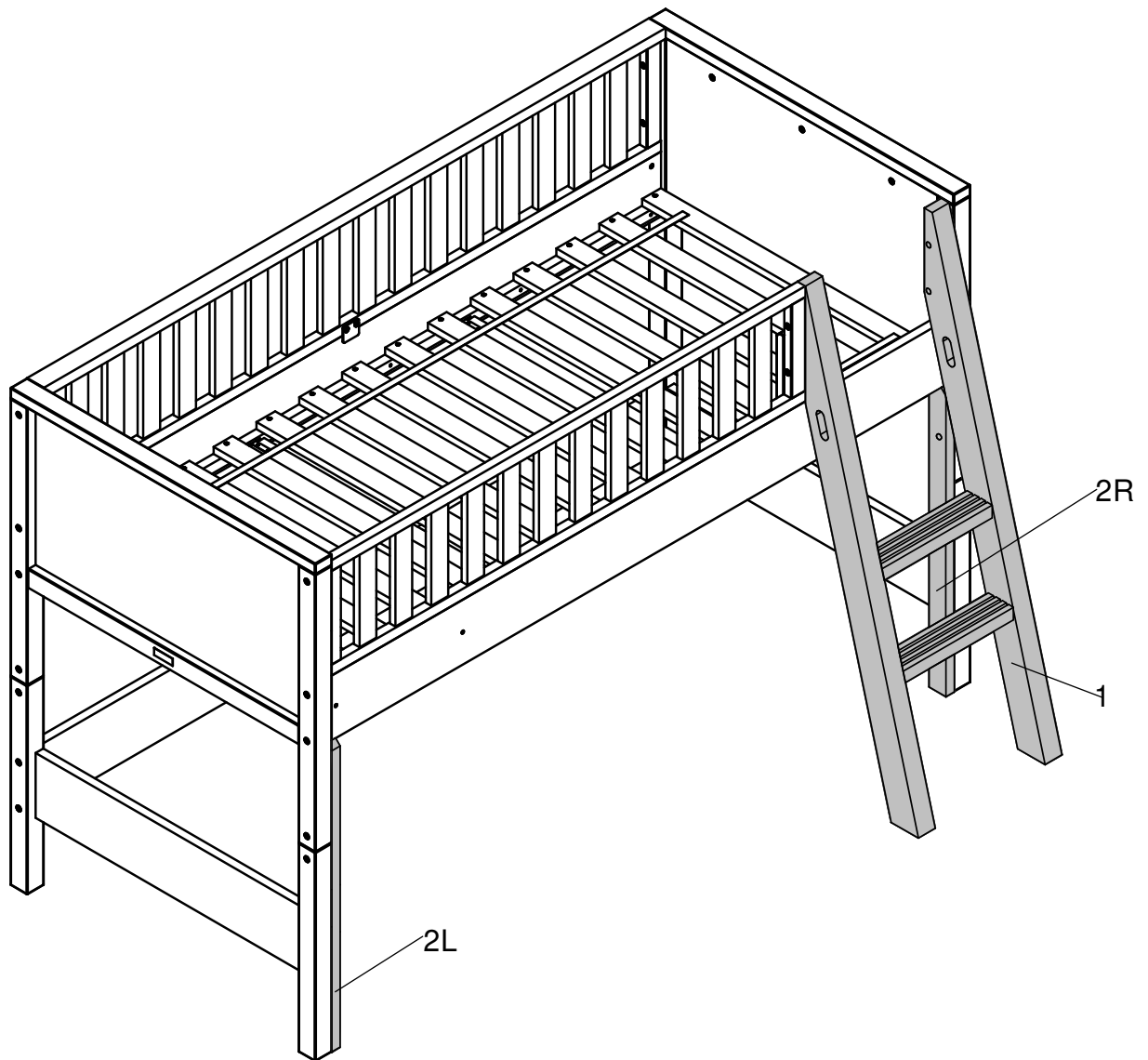


bopita®

ASSEMBLY INSTRUCTION
MONTAGE HANDLEIDING
MONTAGE ANLEITUNG
NOTICE DE MONTAGE
MANUAL DE MONTAJE

UK
NL
D
F
ESP

MODEL : NORDIC
TYPE : COMFORT STEP HHS
COLOUR : WHITE
ART.CODE : 490139.11.










Distributor:

BOPITA
Edisonweg 3, 6662 NW Elst
The Netherlands

www.bopita.com

30.01.2014.

A 	B 	C 	D 	E 	F 
M6X90 2X	M6X70 2X	M6X35 4X	Ø8X40 2X	M6 2X	1X
artcode: 441025	artcode: 441019	artcode: 441013	artcode:	artcode: 442009	artcode: 445001

G 
1X
artcode: 445002

