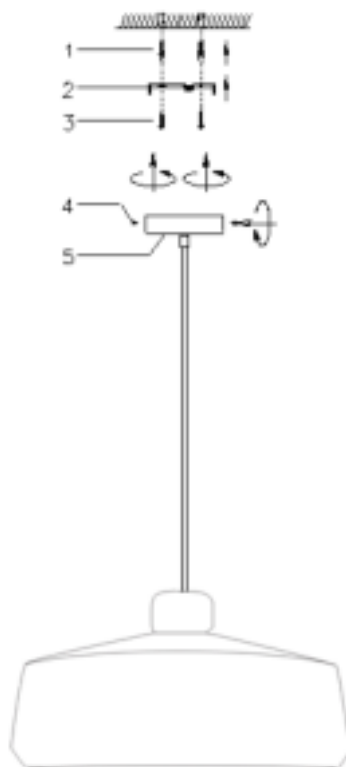


Step 1:

Place the bracket (2) against the plastic plugs (1) in the ceiling
Use the screws (3) to tighten the bracket to the ceiling

Step 2:

Place the pendel (5) against the bracket (2) and drive the screw(4) into the pendel(5) to tighten it to the bracket



Safety instructions

For indoor use only

Use 220V - 240V ~ 50Hz only, use max. 20W, E27 fitting only

Do not use in the bathroom or damp places

Before replacing the bulb, ensure the power supply has been disconnect and the lamp has cooled down

If the external flexible cable or cord of this luminaire is damaged, it must be exclusively replaced by the manufacturer or his service agent or a similar qualified person in order to avoid hazardous situations