

Pioneer

VSX-924-K/-S

AV Receiver
Amplificateur AV
AV Receiver
Sintoamplificatore AV
AV Receiver
Receptor AV
AV-ресивер

Quick Start Guide
Guide rapide
Kurzanleitung
Guida di avvio rapido
Snelstartgids
Guía de inicio rápido
Краткое руководство пользователя

EAC

Thank you for buying this Pioneer product. This Quick Start Guide includes instructions for basic connections and operations to allow simple use of the receiver. For detailed descriptions of the receiver, see the "Operating Instructions" provided on the included CD-ROM (Ⓜ).

Merci pour l'achat de ce produit Pioneer. Ce guide rapide contient les instructions relatives aux raccordements et opérations de base permettant une utilisation simple de ce récepteur. Pour des descriptions plus détaillées du récepteur, référez-vous au "Mode d'emploi" sur le CD-ROM (Ⓜ) fourni.

Vielen Dank, dass Sie sich für dieses Pioneer-Produkt entschieden haben. Die Kurzanleitung enthält Anweisungen für grundlegende Verbindungen und Bedienvorgänge, um eine einfache Bedienung des Receivers zu ermöglichen. Detaillierte Beschreibungen des Receivers finden Sie in der „Bedienungsanleitung“ auf der mitgelieferten CD-ROM (Ⓜ).

Vi ringraziamo per avere acquistato questo prodotto Pioneer. Questa Guida di avvio rapido comprende istruzioni per i collegamenti fondamentali e per le operazioni essenziali di questo ricevitore. Per una descrizione dettagliata del ricevitore, vedere le "Istruzioni per l'uso" contenute nel CD-ROM (Ⓜ) incluso.

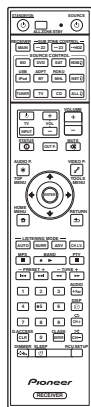
Hartelijk dank voor de aanschaf van dit Pioneer product. In deze snelstartgids vindt u de instructies voor de basisaansluitingen en de basisbediening voor een eenvoudig gebruik van de receiver. Voor meer gedetailleerde informatie wordt u verwezen naar de "Handleiding" die op de bijgeleverde CD-ROM (Ⓜ) staat.

Muchas gracias por haber adquirido este producto de Pioneer. Esta Guía de inicio rápido incluye instrucciones para hacer las conexiones y operaciones básicas que le permitirán hacer un uso sencillo del receptor. Para conocer una descripción detallada del receptor, consulte el "Manual de instrucciones" suministrado con el CD-ROM (Ⓜ) incluido.

Благодарим вас за приобретение данного изделия Pioneer. В данном Кратком руководстве пользователя содержатся инструкции по основным подключениям и операциям для упрощенного использования ресивера. Подробное описание ресивера см. в «Инструкции по эксплуатации», содержащихся на поставляемом CD-ROM (Ⓜ).



What's in the box Contenu du carton d'emballage Lieferumfang



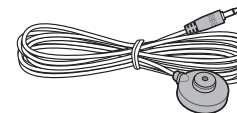
Remote Control
Télécommande
Fernbedienung
Telecomando
Afstandsbediening
Mando a distancia
Пульт дистанционного управления

These quick start guide
Le présent Guide de démarrage
Diese Kurzanleitung
Guida per l'avvio rapido
Deze Quick Start-gids
Esta guía de inicio rápido
Это краткое руководство пользователя

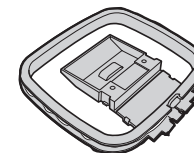


CD-ROM

Contenuto della confezione Inhoud van de doos



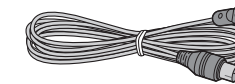
Setup microphone
Microphone de configuration
Mikrofon für die Einstellung
Impostazione microfono
Microfoon voor instellen
Micrófono de configuración
Установочный микрофон



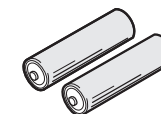
AM loop antenna
Antenne cadre AM
MW-Rahmenantenne
Antenna AM a telaio
AM-raamantenne
Antena de cuadro de AM
Рамочная антенна AM

Safety Brochure
Brochure sur la Sécurité
Sicherheitsbroshüre
Volantino sulla sicurezza
Veiligheidsbrochure
Folleto de Seguridad
Брошюра по безопасности

Power cord
Cordon d'alimentation
Netzkabel
Cavo di alimentazione
Netsnoer
Cable de alimentación
Кабель питания



FM wire antenna
Antenne filaire FM
UKW-Drahtantenne
Antenna FM a filo
FM-draadantenne
Antena de hilos de FM
Проволочная антенна FM

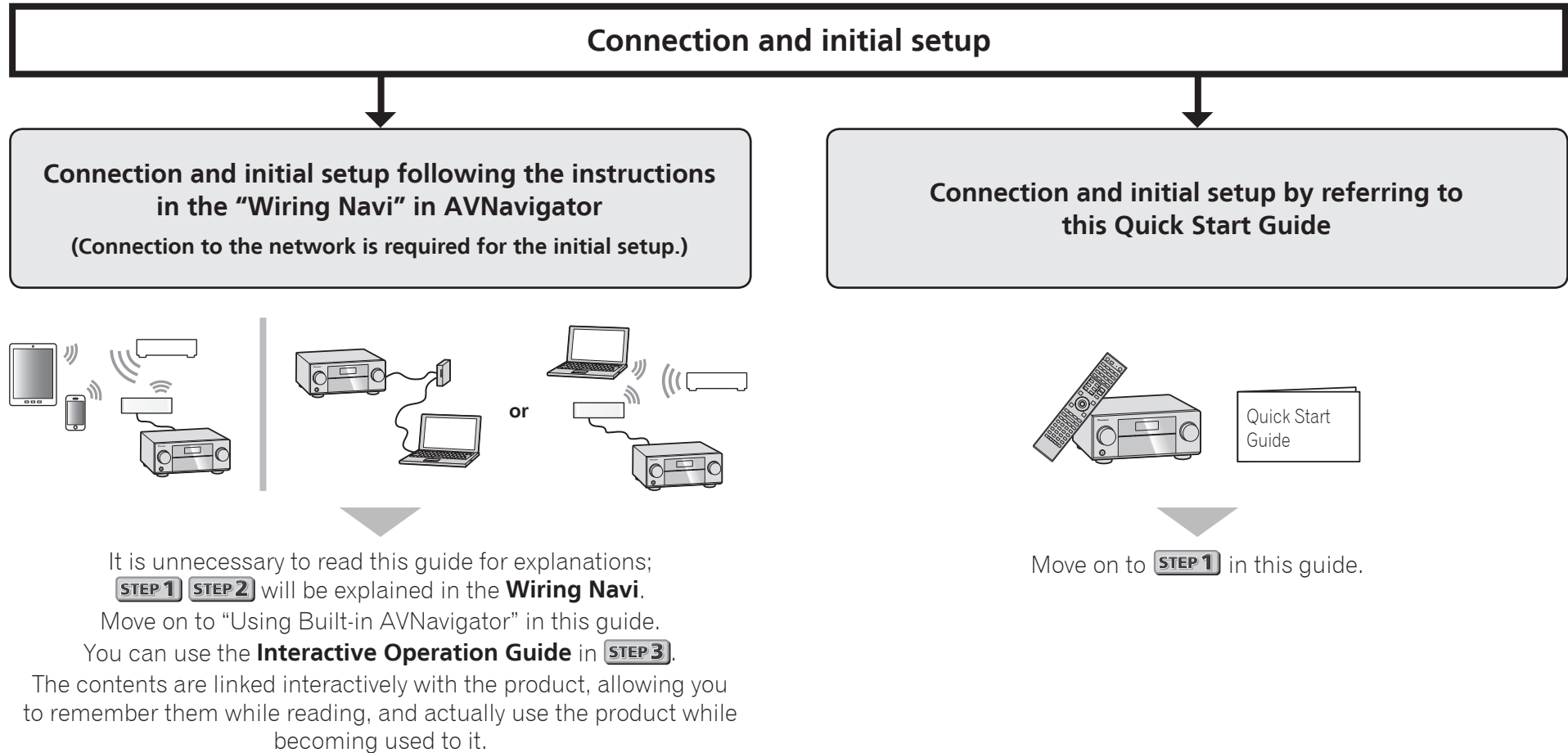


AAA size IEC R03 dry cell batteries x2
Piles à anode sèche AAA IEC R03 x 2
AAA/IEC/R03 Trockenbatterien x2
Pile a secco AAA IEC R03 x2
AAA/IEC/R03 drogecelbatterijen x2
Pilas secas AAA, IEC R03 x 2
Сухие батарейки размера AAA IEC R03, 2 шт.

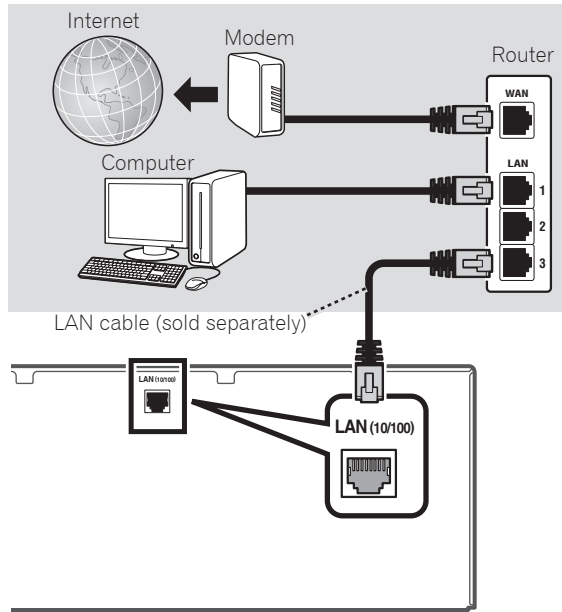
Warranty card
Carte de garantie
Garantiekarte
Tarjeta de garantía
Documento di garanzia
Garantiebewijs
Гарантийный сертификат

English

Enjoy easy multichannel playback with this unit in 3 steps: **STEP 1** **Connecting up** → **STEP 2** **Initial setup** → **STEP 3** **Basic playback**.
Connection and initial setup can be performed by referring to this Quick Start Guide, but it is easier when using the **Wiring Navi** in AVNavigator.
Perform connection and initial setup with either method according to the circumstances in which you are using AVNavigator.
Additionally, using the **Interactive Operation Guide** in AVNavigator allows you to learn basic operations effectively.



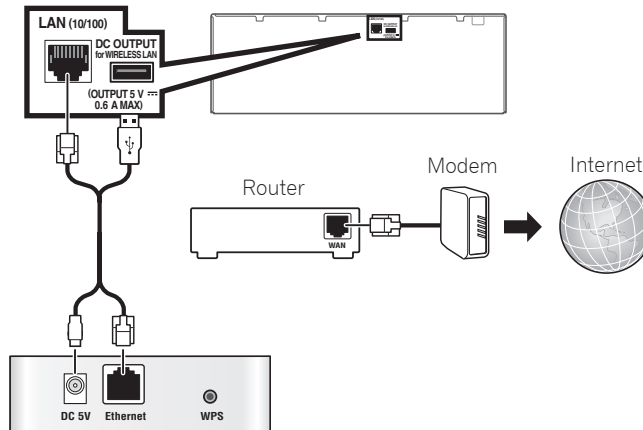
Connecting to the network through LAN interface



Connecting to a wireless LAN

Wireless connection to the network is possible through a wireless LAN connection. Use the separately sold AS-WL300 for connection.

- Use only the furnished accessory connecting cable.
- Certain settings are required to use a wireless LAN converter (AS-WL300). For instructions on making these settings, see the operating instructions included with the wireless LAN converter (AS-WL300).



Wireless LAN converter (AS-WL300)

Plugging in the receiver

After connecting to a LAN, connect the power cord of the receiver to a power outlet.

⚠ CAUTION

- Handle the power cord by the plug part. Do not pull out the plug by tugging the cord, and never touch the power cord when your hands are wet, as this could cause a short circuit or electric shock. Do not place the unit, a piece of furniture, or other object on the power cord or pinch the cord in any other way. Never make a knot in the cord or tie it with other cables. The power cords should be routed so that they are not likely to be stepped on. A damaged power cord can cause a fire or give you an electric shock. Check the power cord once in a while. If you find it damaged,

ask your nearest Pioneer authorized independent service company for a replacement.

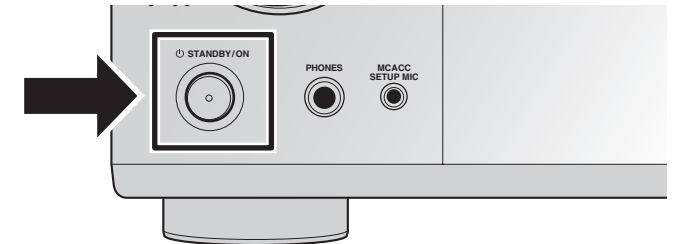
- Do not use any power cord other than the one supplied with this unit.
- Do not use the supplied power cord for any purpose other than that described below.
- The receiver should be disconnected by removing the mains plug from the wall socket when not in regular use, e.g., when on vacation.
- Make sure the blue **STANDBY/ON** light has gone out before unplugging.

- 1 Plug the supplied power cord into the AC IN socket on the back of the receiver.**
- 2 Plug the other end into a power outlet.**

Turning the power on

Press **STANDBY/ON** to switch on the receiver and your computer.

Wait a few minutes after turning the power on before performing the following operation.



Launching the built-in AVNavigator

Operate AVNavigator by following the screen prompts of your computer, etc.

Operating environment

- AVNavigator can be used in the following environments.
 - Windows PC: Microsoft® Windows® XP/Windows Vista®/Windows® 7/Windows® 8/Windows® 8.1
 - Mac OS: Mac OSX (10.7, 10.8 or 10.9)
 - iPad/iPhone/iPod touch: iOS 7
 - Android device: Android 4.0.4
- Some AVNavigator functions use an Internet browser. The following browsers are supported:
 - Windows PC: Internet Explorer® 8, 9, 10, 11
 - Mac OS/iPad/iPhone/iPod touch: Safari 6.0
 - Android device: Android browser
- To use certain AVNavigator functions, you must install the latest Adobe® Flash® Player. For details, visit the following website.
<http://www.adobe.com/downloads/>
- Depending on the computer network setting or security setting, AVNavigator may not operate.

Using Windows PC

- Launch Internet Explorer and enter the IP address of this unit in the address field of Internet Explorer. (Access the IP address "http://(the receiver's IP address)" from a web browser.) You can display the IP address of the unit on the unit's front panel display by pressing the **STATUS** button on the remote control.
- With a Windows PC other than Windows XP, you can use the following method to launch AVNavigator. Launch Explorer and then right-click <VSX-924> displayed in the **'Network'** folder, then click **'View device webpage'**.



Using Mac

Launch Safari and click <VSX-924> displayed in **'Bonjour'** on the Bookmarks bar.



- If **'Bonjour'** is not displayed, tick the **'Include Bonjour in the Favorites bar'** check box on the **'Advanced'** tab in the Safari **'Preferences...'** menu.



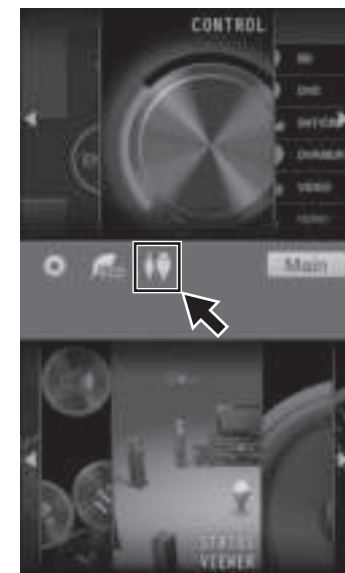
Using iPad/iPhone/iPod touch

Download a free application, iControlAV5, from the App Store. After launching iControlAV5, follow the instructions on the screen. After that, on the Home screen, press **'AVNavigator'** or the icon.

iPad



iPhone/iPod touch

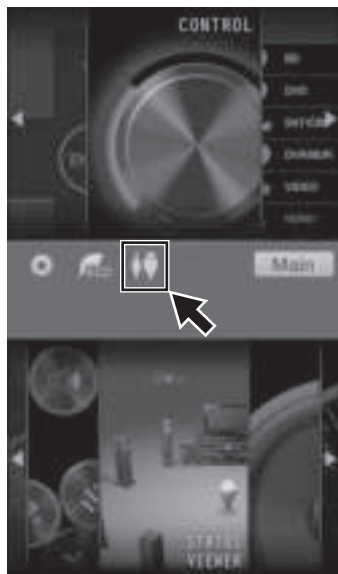


■ Using iPad

On an iPad, you can operate AVNavigator for iPad. Download AVNavigator for iPad from the App Store. After launching AVNavigator for iPad, follow the instructions on the screen.

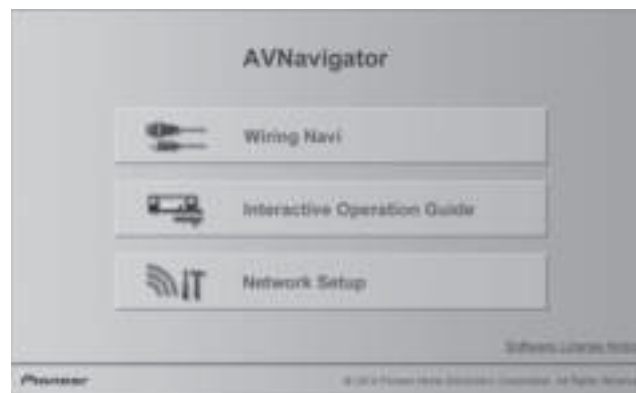
Using Android device

Download a free application, iControlAV5, from the Google Play Store. After launching iControlAV5, follow the instructions on the screen. After that, on the Home screen, press the icon.



About using Wiring Navi

Wiring Navi starts when 'Wiring Navi' is pressed on the AVNavigator screen.



- When connection navigation is finished, proceed to

STEP 3

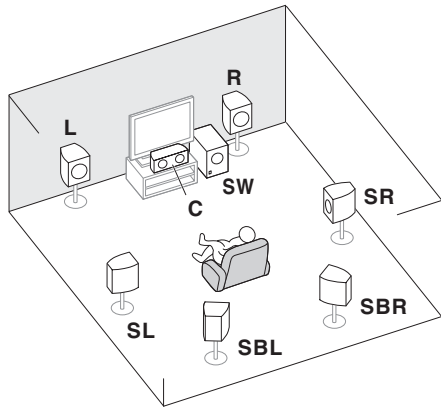
STEP 1 Connecting up

Connecting the speakers

The receiver will work with just two stereo speakers (the front speakers in the diagram) but using at least five speakers is recommended, and a complete setup is best for surround sound.

To achieve the comfortable surround sound, install your speakers as shown below.

7.1 channel surround system:

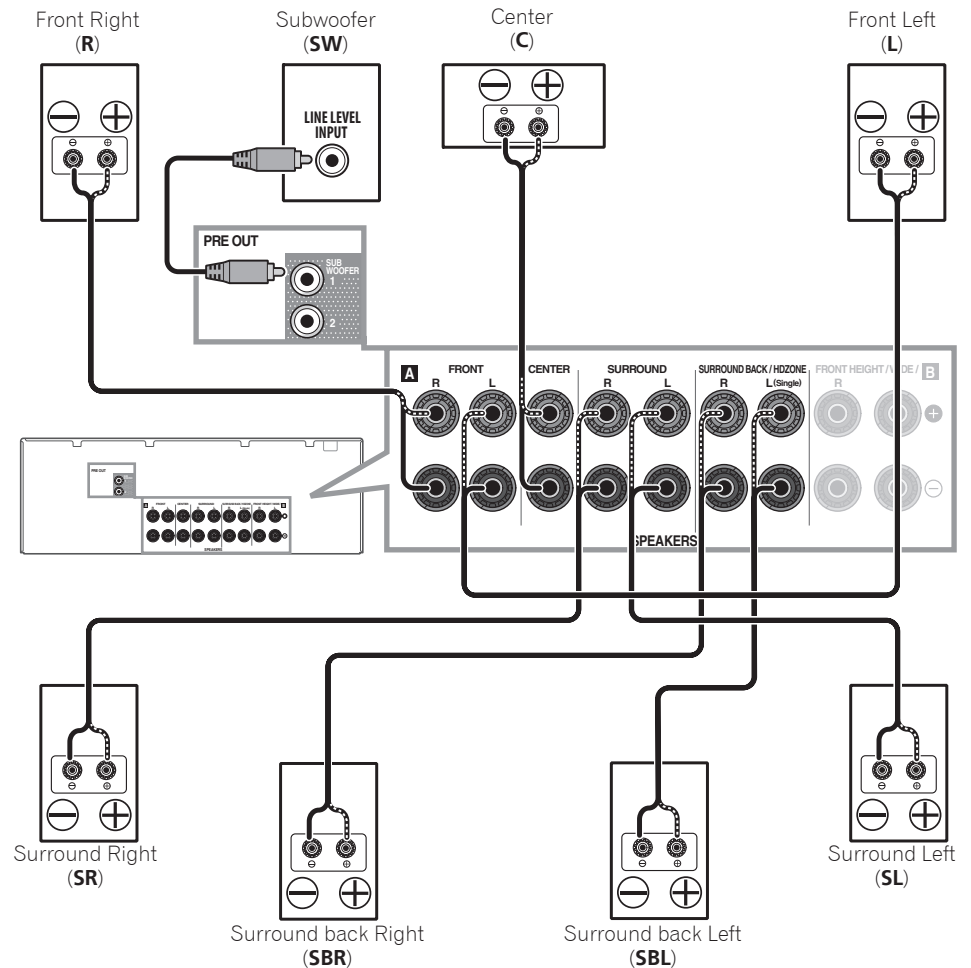


- L – Front Left
- C – Center
- R – Front Right
- SL – Surround Left
- SR – Surround Right
- SBL – Surround back Left
- SBR – Surround back Right
- SW – Subwoofer

Note

- There are also other speaker connection patterns (front height, front wide, etc.). For details, see “Connecting your equipment” of the operating instructions.

After installing the speakers, connect them as shown below.



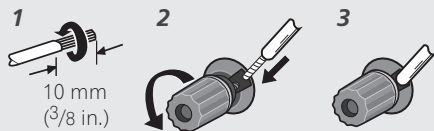
Note

- When only connecting one surround back speaker, connect it to the **SURROUND BACK L (Single)** terminals.
- This unit supports speakers with a nominal impedance of 6 Ω to 16 Ω.

Connecting the speaker cables

Make sure you connect the speaker on the right to the right (R) terminal and the speaker on the left to the left (L) terminal. Also make sure the positive and negative (+/-) terminals on the receiver match those on the speakers.

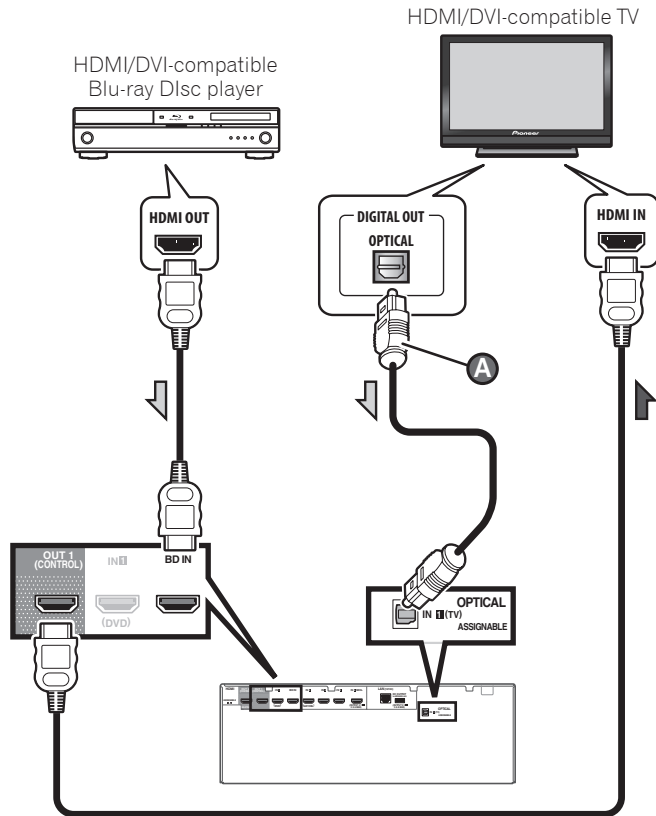
- Twist exposed wire strands together.
- Loosen terminal and insert exposed wire.
- Tighten terminal.



CAUTION

- Before making or changing connections, switch off the power and disconnect the power cord from the AC outlet.
- These speaker terminals carry **HAZARDOUS LIVE** voltage. To prevent the risk of electric shock when connecting or disconnecting the speaker cables, disconnect the power cord before touching any uninsulated parts.

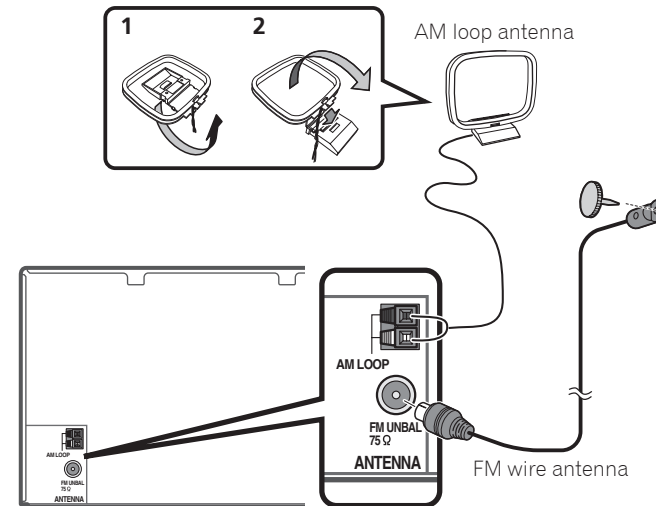
Connecting a TV and playback components



- If the TV does not support the HDMI Audio Return Channel function, optical digital cable (A) connection is required to listen to the TV sound over the receiver.
- If the TV supports the HDMI Audio Return Channel function, the sound of the TV is input to the receiver via the HDMI terminal, so there is no need to connect an optical digital cable (A). In this case, set **ARC** at **HDMI Setup** to **ON**. For details, see "HDMI Setup" of the operating instructions.
- Please refer to the TV's operation manual for directions on connections and setup for the TV.

- With factory default settings, video from the video cable or component cable will not be output from the HDMI terminal. To output video, you must switch video input to the device connected with the video cable or component cable and set **V.CONV** to **ON**. For details, see "Setting the Video options" of the operating instructions.

Connecting antennas



Note

- Refer to the operating instructions in the included CD-ROM if you wish to connect a TV or playback component in a method other than an HDMI connection.
- Refer to the operating instructions in the included CD-ROM for other device connections.

Plugging in the receiver

Only plug in after you have connected all your components to this receiver, including the speakers.

CAUTION

- Handle the power cord by the plug part. Do not pull out the plug by tugging the cord, and never touch the power cord when your hands are wet, as this could cause a short

circuit or electric shock. Do not place the unit, a piece of furniture, or other object on the power cord or pinch the cord in any other way. Never make a knot in the cord or tie it with other cables. The power cords should be routed so that they are not likely to be stepped on. A damaged power cord can cause a fire or give you an electric shock. Check the power cord once in a while. If you find it damaged, ask your nearest Pioneer authorized independent service company for a replacement.

- Do not use any power cord other than the one supplied with this unit.
- Do not use the supplied power cord for any purpose other than that described below.
- The receiver should be disconnected by removing the mains plug from the wall socket when not in regular use, e.g., when on vacation.
- Make sure the blue **STANDBY/ON** light has gone out before unplugging.

- 1 Plug the supplied power cord into the AC IN socket on the back of the receiver.**
- 2 Plug the other end into a power outlet.**

VENTILATION CAUTION

When installing this unit, make sure to leave space around the unit for ventilation to improve heat radiation (at least 40 cm at top, 10 cm at rear, and 20 cm at each side).

WARNING

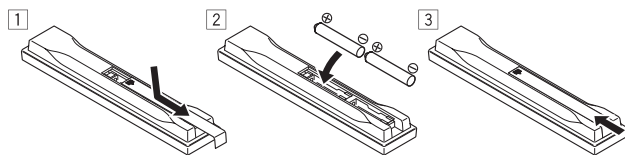
Slots and openings in the cabinet are provided for ventilation to ensure reliable operation of the product, and to protect it from overheating. To prevent fire hazard, the openings should never be blocked or covered with items (such as newspapers, table-cloths, curtains) or by operating the equipment on thick carpet or a bed.

D3-4-2-1-7b*_A1_En

STEP 2 Initial Setup

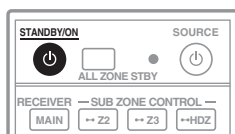
Before you start

1 Put the batteries in the remote control.



The batteries included with the unit are to check initial operations; they may not last over a long period. We recommend using alkaline batteries that have a longer life.

2 Switch on the receiver and your TV.



3 Switch the TV input so that it connects to the receiver.

4 Turn the subwoofer on and turn up the volume.

⚠ WARNING

- Do not use or store batteries in direct sunlight or other excessively hot place, such as inside a car or near a heater. This can cause batteries to leak, overheat, explode or catch fire. It can also reduce the life or performance of batteries.

⚠ CAUTION

- When inserting the batteries, make sure not to damage the springs on the battery's (-) terminals. This can cause batteries to leak or overheat.
- When disposing of used batteries, please comply with governmental regulations or environmental public institution's rules that apply in your country/area.

Automatically setting up for surround sound (MCACC)

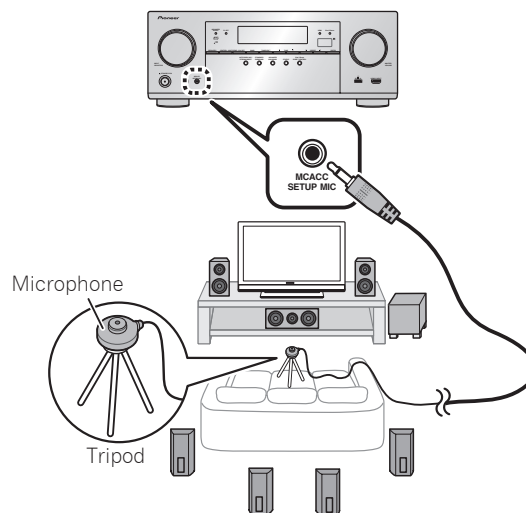
The Auto Multi-Channel ACoustic Calibration (MCACC) setup

uses the supplied setup microphone to measure and analyze the test tone that is outputted by the speakers. This setup enables automatic high precision measuring and settings; utilizing it will create an optimum user listening environment.

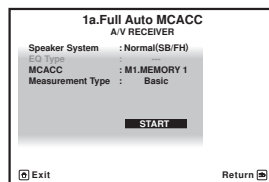
📌 Important

- Measure in a quiet environment.
- If you have a tripod, use it to place the microphone so that it's about ear level at your normal listening position. Otherwise, place the microphone at ear level using a table or a chair.
- Accurate measurements may not be possible if there are obstacles between the speakers and the listening position (microphone).
- When measuring, step away from the listening position, and operate using the remote control from the external side of all the speakers.

1 Connect the supplied setup microphone.



The Full Auto MCACC screen appears on your TV.



2 Press MAIN RECEIVER on the remote control and operate.

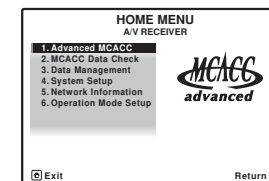
- When the cursor is brought to **Measurement Type** and **Basic** is selected, the **Speaker Setting/Channel Level/Speaker Distance** is adjusted automatically. Selecting **Expert** allows you to automatically adjust **Standing Wave/Acoustic Cal EQ** (frequency characteristics) as well.

3 Bring the cursor to START and press the ENTER button.

- Automatic measuring will start.
- Measuring will take about 3 to 12 minutes.

4 Follow the instructions on-screen.

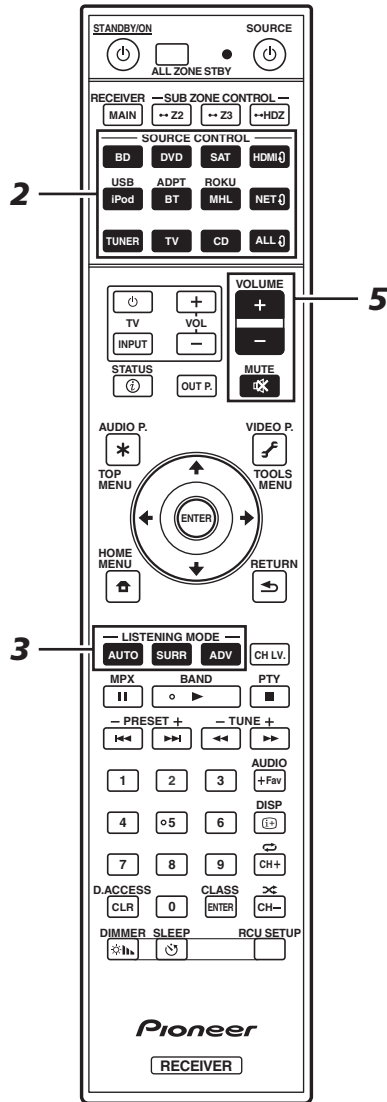
- Automatic setting is complete when the Home Menu screen appears.



- If **Reverse Phase** is displayed, the speaker's wiring (+ and -) may be inverted. Check the speaker connections. Even if the connections are correct, **Reverse Phase** may be displayed, depending on the speakers and the surrounding environment. This does not affect measurements, however, so select **Go Next**.
- If the power cuts out, the core of the speaker cable may be in contact with the rear panel, or the (+) and (-) cores may be touching, causing the protection circuits to activate. Re-twist the core of the speaker cable, and connect it so that it does not protrude from the speaker terminal.

5 Make sure the setup microphone is disconnected.

Multichannel playback



1 Switch on the playback component.

E.g.) Turn the Blu-ray Disc player connected to the **HDMI BD IN** terminal on.

2 Switch the input of the receiver.

E.g.) Press **BD** to select the **BD** input.

3 Press **AUTO** to select 'AUTO SURROUND'.

Also press **SURR** or **ADV** for multichannel playback. Select your preferred listening mode.

4 Start the playback component's playback.

E.g.) Start playback of the Blu-ray Disc player.

5 Use **VOLUME +/-** to adjust the volume level.

- When a sound can not be heard from center and rear speakers, press **SURR** or **ADV** to change listening modes. E.g.) Press the **ADV** button for several times to select **EXT.STEREO**.
- **When there is no sound from the subwoofer Cause – The front speaker is set to LARGE.**

When a 2-channel audio source is input, the low-frequency component is not output from the subwoofer but is output from the front speaker.

Solution – To output from the subwoofer, change the speaker setting.

Method 1: Change the front speaker setting to **SMALL**.

The low-frequency component is not output from the front speaker but is output from the subwoofer. When the low-frequency playback capability of the front speaker is high, we recommend the setting not be changed.

Method 2: Change the subwoofer setting to **PLUS**.

The low-frequency component is output from the front speaker and subwoofer. For that reason, low sounds are sometimes output too much. In such a case, we recommend not to change or to change to Method 1.

- For details, see "Speaker Setting" of the operating instructions.
- When no sound is emitted, increase the volume to approximately -30 dB.

Note

- When the remote control cannot be used to operate the unit
- When operating the receiver, press **MAIN RECEIVER** before using it.
- When operating functions such as the network, TUNER, or iPod, press the appropriate function button (**NET**, **TUNER**, **iPod**, etc.) before using.

Listening to the radio

1 Press **TUNER** to select the tuner.

If necessary, press **BAND** to change the band (FM or AM).

2 Press **TUNE +/-** to tune to a station.

- Press and hold **TUNE +/-** for about a second. The receiver will start searching for the next station.
- If you're listening to an FM station but the reception is weak, press **MPX** to select **FM MONO** and set the receiver to the mono reception mode.

Saving station presets

If you often listen to a particular radio station, it's convenient to have the receiver store the frequency for easy recall whenever you want to listen to that station.

1 Press **TOOLS** while receiving a signal from the station you want to store.

The preset number is blinking.

2 Press **PRESET +/-** to select the station preset you want, then press **ENTER**.

The preset number stop blinking and the receiver stores the station.

Listening to station presets

You will need to have some presets stored to do this.

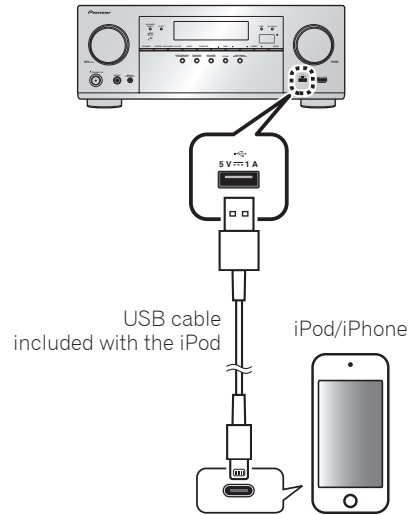
- Press **PRESET +/-** to select the station preset you want.

Playing an iPod

- About one minute is required between turning the power on and completion of startup.

1 Connect your iPod.

An iPod/iPhone can be connected to the receiver.



2 Press iPod USB to select the iPod/USB input.

When the display shows the names of folders and files, you're ready to play music from the iPod.

3 Use ↑/↓ to select a category, then press ENTER to browse that category.

- To return to the previous level any time, press RETURN.

4 Use ↑/↓ to browse the selected category (e.g., albums).

- Use ←/→ to move to previous/next levels.

5 Continue browsing until you arrive at what you want to play, then press ► to start playback.

Listening to Internet radio stations

- About one minute is required between turning the power on and completion of startup.

Important

- When using a broadband Internet connection, a contract with an Internet service provider is required. For more details, contact your nearest Internet service provider.
- To listen to Internet radio stations, you must have high-speed broadband Internet access. With a 56 K or ISDN modem, you may not enjoy the full benefits of Internet radio.
- Access to content provided by third parties requires a high speed internet connection and may also require account registration and a paid subscription. Third party content services may be changed, suspended, interrupted, or discontinued at any time without notice, and Pioneer disclaims any liability in connection with such occurrences. Pioneer does not represent or warrant that content services will continue to be provided or available for a particular period of time, and any such warranty, express or implied, is disclaimed.

1 Press NET repeatedly to select the INTERNET RADIO input.

It may take several seconds for this receiver to access the network.

2 Use ↑/↓ to select the Internet radio station to play back, and then press ENTER.

To enjoy the many functions of the unit to the fullest extent

▼ Launch AVNavigator, and use the "Interactive Operation Guide".

▼ Load the CD-ROM into your computer and download the "Operating Instructions" (PDF) from the menu screen to read.

Functions

- Playing a USB device
- Music playback using Bluetooth wireless technology
- Playback with NETWORK feature
- Setting the Audio options
- Setting the Video options
- Using the MULTI-ZONE controls

FAQ

Glossary

Features index

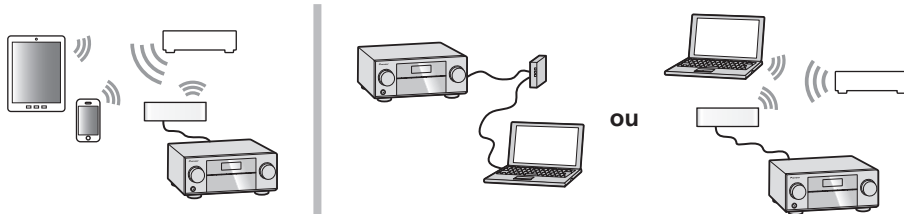
Note

- This unit supports AirPlay. For details, see "Using AirPlay on iPod touch, iPhone, iPad, and iTunes" of the operating instructions and the Apple website (<http://www.apple.com>).
- This unit's software can be updated ("Software Update" of the operating instructions). With Mac OS, it can be updated using Safari ("Using Safari to update the firmware" of the operating instructions).

Profitez de la lecture multicanaux sur cet appareil en 3 points seulement : **STEP 1** Raccordement → **STEP 2** Configuration initiale → **STEP 3** Lecture de base. La connexion et la configuration initiale peuvent être réalisées en se référant au présent Guide rapide, mais il est plus facile d'utiliser le **Wiring Navi** dans l'AVNavigator. Réalisez la connexion et la configuration initiale avec l'une ou l'autre méthode, en fonction des circonstances dans lesquelles vous utilisez l'AVNavigator. L'utilisation du **Interactive Operation Guide** dans l'AVNavigator vous permet en outre d'apprendre efficacement les opérations de base.

Raccordement et configuration initiale

Raccordement et configuration initiale en se référant aux instructions dans "Wiring Navi" de l'AVNavigator
(Une connexion au réseau est nécessaire pour la configuration initiale.)

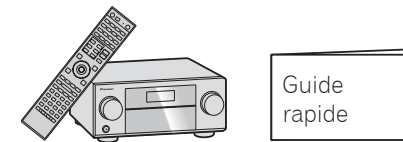


Il est inutile de lire ce guide pour obtenir des explications ; **STEP 1** **STEP 2** seront expliqués dans le **Wiring Navi**.

Poursuivez à la rubrique "Utilisation de l'AVNavigator intégré" dans ce guide.

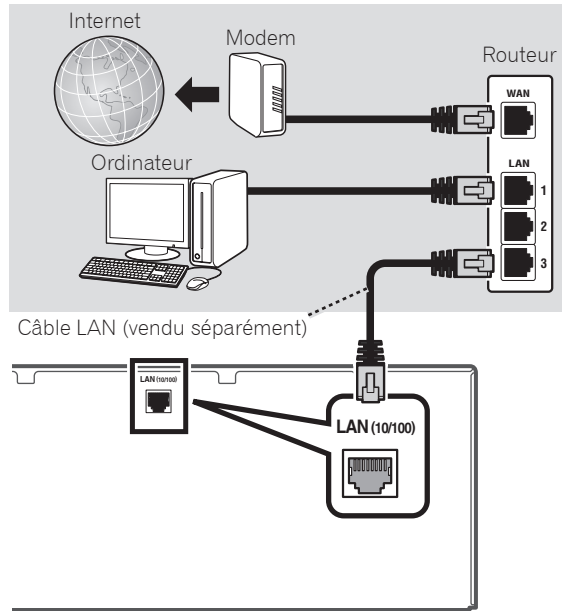
Vous pouvez utiliser le **Interactive Operation Guide** dans **STEP 3**. Les contenus sont liés de manière interactive avec le produit, ce qui vous permet de les mémoriser en les lisant et d'utiliser réellement le produit tout en vous y familiarisant.

Raccordement et configuration initiale en suivant le guide rapide



Passez à **STEP 1** dans ce guide.

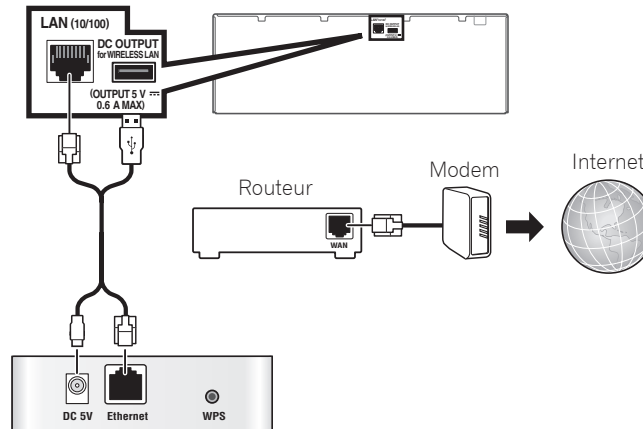
Raccordement au réseau par l'interface LAN



Raccordement à un réseau LAN sans fil

La connexion sans fil au réseau s'effectue par une connexion LAN sans fil. Utilisez le AS-WL300 vendu séparément pour cette connexion.

- N'utilisez que le câble de liaison d'accessoire fourni.
- Certains réglages doivent être effectués pour que le convertisseur LAN sans fils (AS-WL300) puisse être utilisé. Pour le détail sur ces réglages, reportez-vous au mode d'emploi fourni avec le convertisseur LAN sans fil (AS-WL300).



Convertisseur LAN sans fil (AS-WL300)

Branchement du récepteur

Après la connexion à un réseau LAN, branchez le cordon d'alimentation du récepteur à une prise électrique.

⚠ ATTENTION

- Saisissez le cordon d'alimentation par la prise. Ne débranchez jamais la fiche en tirant sur le cordon et ne touchez jamais le cordon d'alimentation lorsque vous avez les mains mouillées, car cela pourrait causer un court-circuit ou une électrocution. Ne placez pas l'appareil, un meuble ou tout autre objet sur le cordon d'alimentation et ne coincez pas le cordon. Ne faites jamais de nœud sur

le cordon, et ne le nouez pas avec d'autres câbles. Les cordons d'alimentation doivent être placés de telle sorte que l'on ne risque pas de marcher dessus. Un cordon d'alimentation endommagé peut entraîner un incendie ou une électrocution. Vérifiez le cordon d'alimentation de temps en temps. Si vous le trouvez abîmé, demandez à votre service après-vente Pioneer le plus proche de le remplacer.

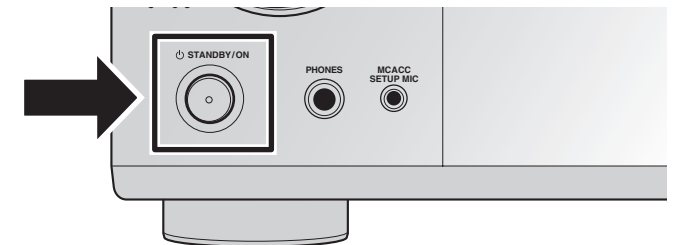
- Utilisez exclusivement le cordon d'alimentation fourni avec cet appareil.
- N'utilisez pas ce cordon à d'autres fins que celle indiquée ci-dessous.
- Lorsque le récepteur n'est pas utilisé régulièrement (pendant les vacances, par exemple), il doit être débranché de la prise d'alimentation murale.
- Avant de le débrancher, assurez-vous que le témoin bleu **STANDBY/ON** est éteint.

- 1 Branchez le cordon d'alimentation fourni à la prise AC IN située à l'arrière du récepteur.**
- 2 Branchez l'autre extrémité sur une prise électrique.**

Mise en marche

Appuyez sur **STANDBY/ON** pour allumer le récepteur et votre ordinateur.

Après la mise en marche, patientez quelques minutes avant d'effectuer l'opération suivante.



Lancement de l'AVNavigator intégré

L'AVNavigator s'utilise en suivant les messages sur l'écran de votre ordinateur, etc.

Environnement d'exploitation

- L'AVNavigator peut être utilisé dans les environnements suivants :
 - PC sous Windows : Microsoft® Windows® XP/Windows Vista®/Windows® 7/Windows® 8/Windows® 8.1
 - Mac OS : Mac OSX (10.7, 10.8 ou 10.9)
 - iPad/iPhone/iPod touch : iOS 7
 - Appareil Android : Android 4.0.4
- Certaines fonctions de l'AVNavigator emploient un navigateur Internet. Les navigateurs suivants sont pris en charge :
 - PC sous Windows : Internet Explorer® 8, 9, 10, 11
 - Mac OS/iPad/iPhone/iPod touch : Safari 6.0
 - Appareil Android : navigateur Android
- Pour pouvoir utiliser certaines fonctions d'AVNavigator, vous devez installer la dernière version d'Adobe® Flash® Player. Connectez-vous au site ci-après pour plus d'informations.
<http://www.adobe.com/downloads/>
- AVNavigator risque de ne pas fonctionner avec certains paramètres du réseau informatique ou de la sécurité.

Utilisation d'un PC sous Windows

- Lancez Internet Explorer et saisissez l'adresse IP de cet appareil dans le champ d'adresse d'Internet Explorer. (Accédez à l'adresse IP "http://(l'adresse IP du récepteur)" depuis un navigateur web.) Vous pouvez afficher l'adresse IP de l'appareil sur l'afficheur de ce dernier en appuyant sur la touche **STATUS** de la télécommande.
- Sur un PC fonctionnant avec une version Windows différente de Windows XP, vous pouvez utiliser la méthode suivante pour lancer AVNavigator. Lancez l'explorateur puis faites un clic droit sur <VSX-924> qui s'affiche dans le dossier '**Network**', puis cliquez sur '**View device webpage**'.

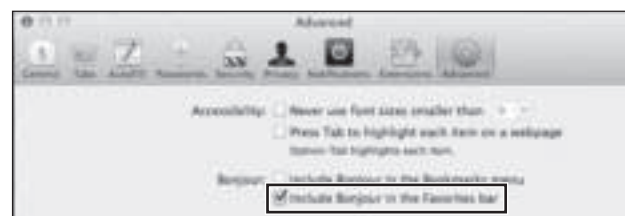


Utilisation d'un Mac

Lancez Safari et cliquez sur <VSX-924> qui s'affiche dans '**Bonjour**' sur la barre Bookmarks.



- Si '**Bonjour**' n'apparaît pas, cochez la case à cocher '**Include Bonjour in the Favorites bar**' de l'onglet '**Advanced**' dans le menu '**Preferences...**' de Safari.



Utilisation d'un iPad/iPhone/iPod touch

Téléchargez une application gratuite, iControlAV5, depuis l'App Store. Après avoir lancé iControlAV5, suivez les instructions à l'écran. Effleurez ensuite '**AVNavigator**' ou l'icône sur l'écran d'accueil.

iPad



iPhone/iPod touch

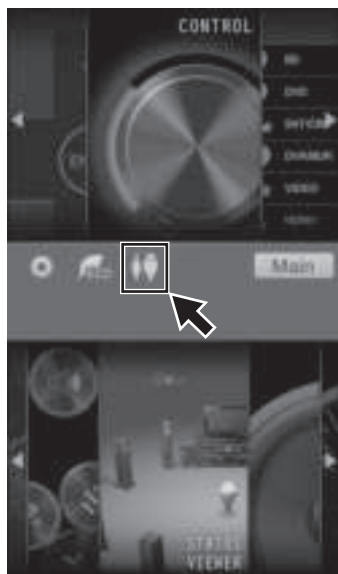


■ Utilisation d'un iPad

Sur un iPad, vous pouvez utiliser AVNavigator pour iPad. Téléchargez AVNavigator for iPad depuis l'App Store. Après avoir lancé AVNavigator for iPad, suivez les instructions à l'écran.

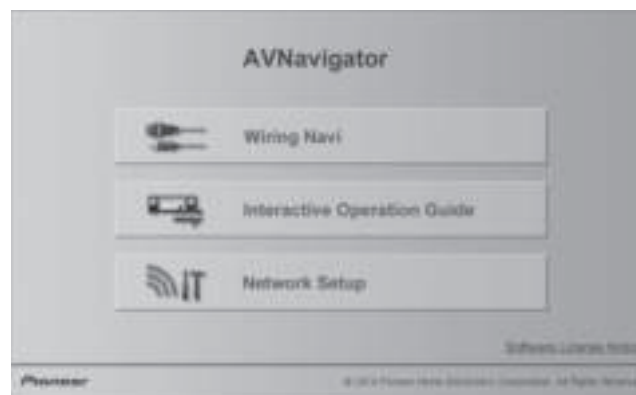
Utilisation d'un appareil Android

Téléchargez une application gratuite, iControlAV5, depuis le Google Play Store. Après avoir lancé iControlAV5, suivez les instructions à l'écran. Effleurez ensuite l'icône sur l'écran d'accueil.



À propos de l'utilisation de Wiring Navi

Wiring Navi démarre lorsque vous appuyez sur 'Wiring Navi' sur l'écran d'AVNavigator.



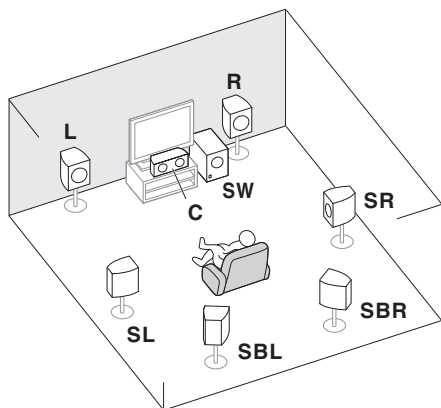
- Lorsque la navigation de connexion est terminée, poursuivez avec **STEP 3**.

STEP 1 Raccordement

Raccordement des enceintes

Le récepteur fonctionne avec deux enceintes stéréo seulement (enceintes avant sur le schéma) mais il est conseillé d'utiliser au moins cinq enceintes, et avec une configuration complète le son surround sera bien meilleur.

Pour obtenir le son surround le plus agréable, installez vos enceintes comme illustré ci-dessous. *Système surround à 7.1 canaux :*



- L – Avant Gauche
- C – Centre
- R – Avant Droite
- SL – Surround Gauche
- SR – Surround Droite
- SBL – Surround arrière Gauche
- SBR – Surround arrière Droite
- SW – Caisson de grave

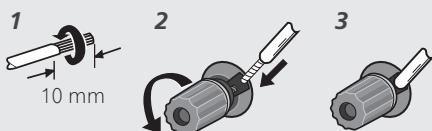
Remarque

- Il existe aussi d'autres façons de connecter les enceintes (avant haute, avant large, etc.). Reportez-vous à la rubrique "Raccordement de votre équipement" du mode d'emploi pour plus d'informations.

Raccordement des câbles d'enceintes

Veillez à bien raccorder l'enceinte de droite à la borne droite (R) et l'enceinte de gauche à la borne de gauche (L). Assurez-vous aussi que les bornes positives et négatives (+/-) sur le récepteur correspondent à celles des enceintes.

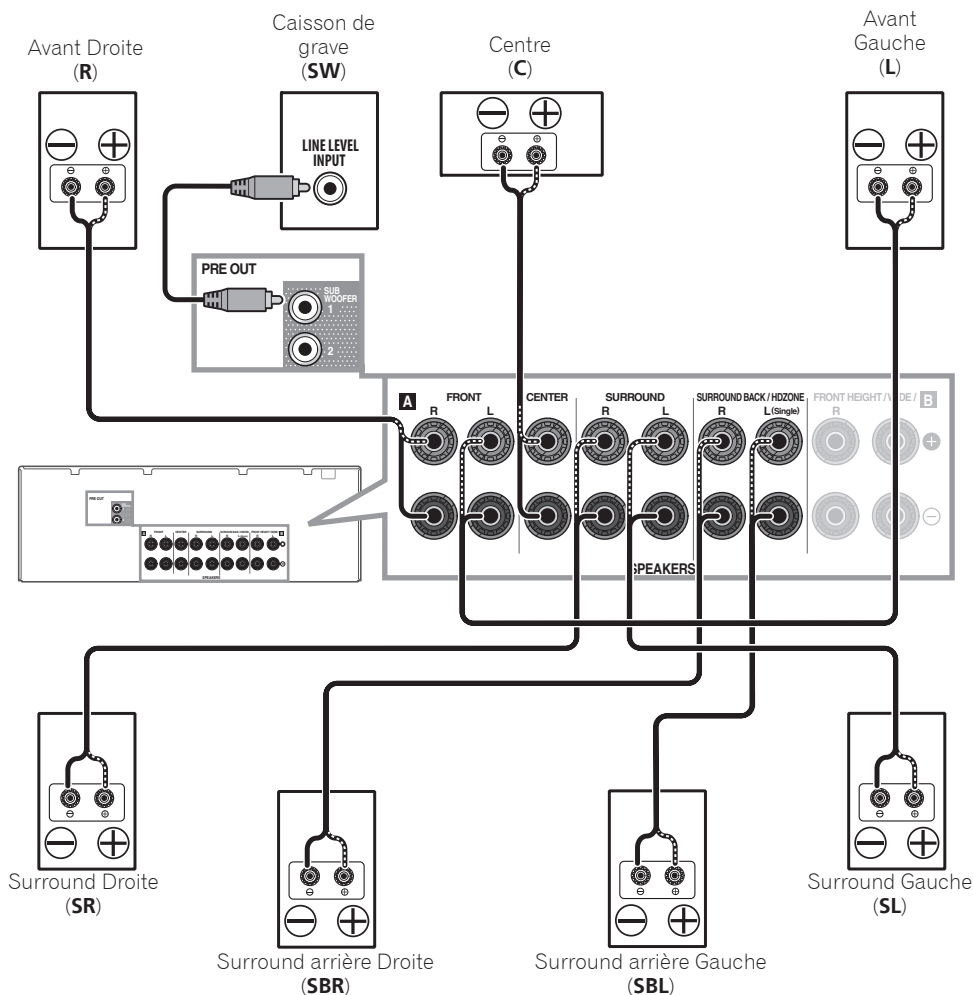
- 1 Torsadez les fils ensemble.
- 2 Dévissez la borne et insérez la partie dénudée des fils.
- 3 Serrez la borne.



ATTENTION

- Avant de réaliser ou de modifier des liaisons, éteignez les appareils et débranchez le cordon d'alimentation de la prise électrique.
- Ces bornes d'enceintes sont soumises à une tension **DANGEREUSE**. Pour éviter tout risque de décharge électrique lors du branchement ou débranchement des câbles d'enceintes, débranchez le cordon d'alimentation avant de toucher les parties non isolées.

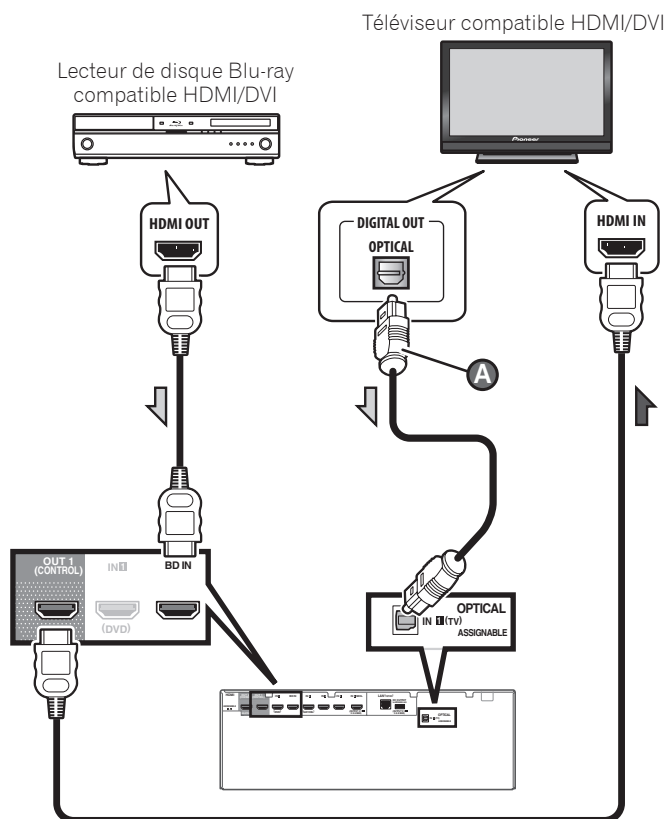
Après avoir installé les enceintes, raccordez-les de la façon ci-dessous.



Remarque

- Si vous raccordez une seule enceinte surround arrière, raccordez-la aux bornes **SURROUND BACK L (Single)**.
- Cet appareil accepte les enceintes ayant une impédance nominale de 6 Ω à 16 Ω.

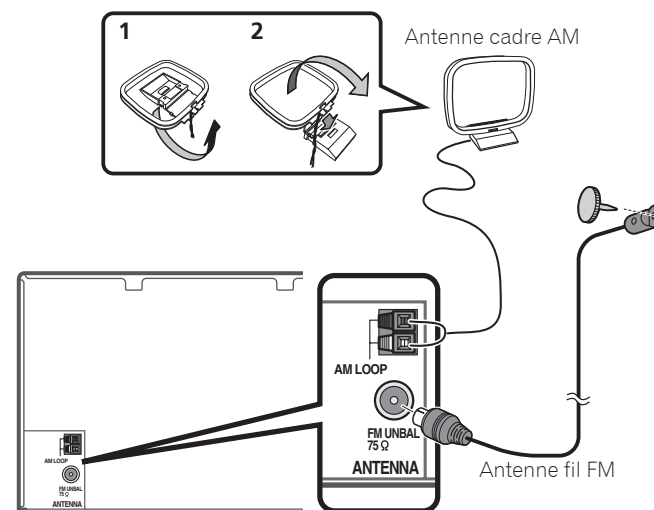
Raccordement d'un téléviseur et de lecteurs



- Si votre téléviseur ne prend pas en charge la fonction HDMI de canal de retour audio, vous devrez effectuer une liaison par câble numérique optique (A) pour écouter le son du téléviseur via le récepteur.
- Si votre téléviseur prend en charge la fonction HDMI de canal de retour audio, le son du téléviseur est transmis au récepteur par la prise HDMI et il est inutile de raccorder un câble numérique optique (A). Dans ce cas, réglez **ARC** dans **HDMI Setup** sur **ON**. Reportez-vous à la rubrique "Réglage de l'HDMI" du mode d'emploi pour plus d'informations.
- Veuillez vous reporter au Guide d'utilisation du téléviseur pour consulter les instructions concernant les connexions et la configuration du téléviseur.

- Avec les paramètres d'usine par défaut, la vidéo depuis le câble vidéo ou le câble du composant ne sera pas restituée par la prise HDMI. Pour restituer la vidéo, vous devez changer l'entrée vidéo sur l'appareil connecté à l'aide du câble vidéo ou du câble du composant et régler **V.CONV** sur **ON**. Reportez-vous à la rubrique "Réglages des options vidéo" du mode d'emploi pour plus d'informations.

Raccordement des antennes



Remarque

- Reportez-vous aux instructions sur le CD-ROM fourni si vous voulez raccorder un téléviseur ou un lecteur d'une autre façon que par une liaison HDMI.
- Reportez-vous aux instructions sur le CD-ROM fourni pour d'autres liaisons.

Branchement du récepteur

N'effectuez le branchement qu'après avoir raccordé tous les composants au récepteur, y compris les enceintes.

ATTENTION

- Saisissez le cordon d'alimentation par la prise. Ne débranchez jamais la fiche en tirant sur le cordon et ne

touchez jamais le cordon d'alimentation lorsque vous avez les mains mouillées, car cela pourrait causer un court-circuit ou une électrocution. Ne placez pas l'appareil, un meuble ou tout autre objet sur le cordon d'alimentation et ne coincez pas le cordon. Ne faites jamais de nœud sur le cordon, et ne le nouez pas avec d'autres câbles. Les cordons d'alimentation doivent être placés de telle sorte que l'on ne risque pas de marcher dessus. Un cordon d'alimentation endommagé peut entraîner un incendie ou une électrocution. Vérifiez le cordon d'alimentation de temps en temps. Si vous le trouvez abîmé, demandez à votre service après-vente Pioneer le plus proche de le remplacer.

- Utilisez exclusivement le cordon d'alimentation fourni avec cet appareil.
- N'utilisez pas ce cordon à d'autres fins que celle indiquée ci-dessous.
- Lorsque le récepteur n'est pas utilisé régulièrement (pendant les vacances, par exemple), il doit être débranché de la prise d'alimentation murale.
- Avant de le débrancher, assurez-vous que le témoin bleu **STANDBY/ON** est éteint.

- 1** Branchez le cordon d'alimentation fourni à la prise AC IN située à l'arrière du récepteur.
- 2** Branchez l'autre extrémité sur une prise électrique.

PRÉCAUTION DE VENTILATION

Lors de l'installation de l'appareil, veillez à laisser un espace suffisant autour de ses parois de manière à améliorer la dissipation de chaleur (au moins 40 cm sur le dessus, 10 cm à l'arrière et 20 cm de chaque côté).

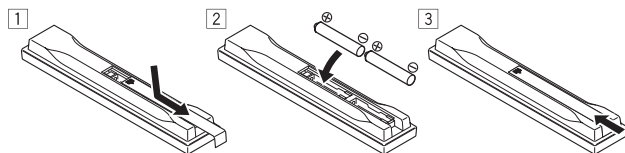
AVERTISSEMENT

Les fentes et ouvertures du coffret sont prévues pour la ventilation, pour assurer un fonctionnement stable de l'appareil et pour éviter sa surchauffe. Pour éviter les risques d'incendie, ne bouchez jamais les ouvertures et ne les recouvrez pas d'objets, tels que journaux, nappes ou rideaux, et n'utilisez pas l'appareil posé sur un tapis épais ou un lit.

STEP 2 Configuration initiale

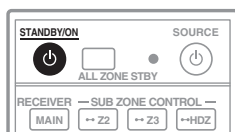
Avant de commencer

1 Insérez des piles dans la télécommande.



Les piles fournies avec l'appareil sont destinées à vérifier le bon fonctionnement de l'appareil et risquent de ne pas durer longtemps. Nous vous conseillons d'utiliser des piles alcalines dont l'autonomie est plus longue.

2 Allumez le récepteur et votre téléviseur.



3 Sélectionnez l'entrée du téléviseur pour qu'il se connecte au récepteur.

4 Allumez le caisson de grave et augmentez le volume.

⚠ AVERTISSEMENT

- N'utilisez pas ou ne rangez pas les piles en plein soleil ou à un endroit très chaud, comme dans une voiture ou près d'un appareil de chauffage. Les piles pourraient fuir, surchauffer, exploser ou prendre feu. Cela peut aussi réduire leur durée de vie et leurs performances.

⚠ ATTENTION

- Lors de l'insertion des piles, veillez à ne pas endommager les ressorts au niveau des bornes (-) des piles. Les piles pourraient fuir ou surchauffer.
- Pour la mise au rebut des piles/batteries usées, veuillez vous conformer aux réglementations gouvernementales ou environnementales en vigueur dans votre pays/région.

Configuration automatique du son surround (MCACC)

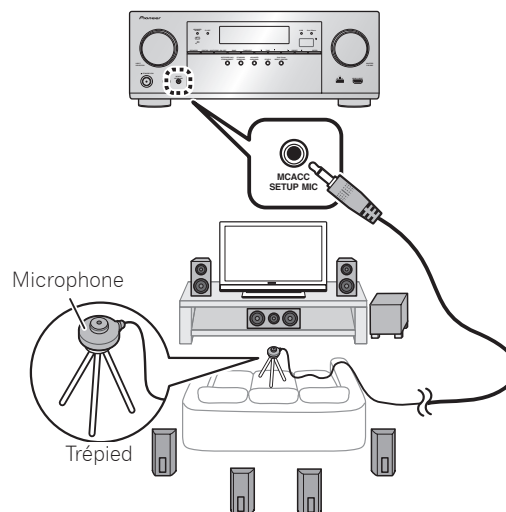
Lors du calibrage acoustique multicanaux automatique

(MCACC), le microphone de configuration fourni est utilisé pour mesurer et analyser la tonalité de test émise par les enceintes. Cette configuration permet d'effectuer des mesures et réglages extrêmement précis et de créer un environnement d'écoute optimal pour chaque situation.

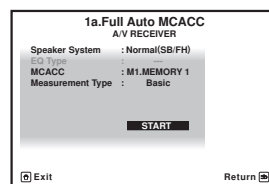
📌 Important

- Les mesures doivent être faites dans un environnement calme.
- Positionnez le microphone sur un trépied (si vous en avez un) pour qu'il se trouve à hauteur d'oreilles en position d'écoute normale. Sinon, positionnez le microphone à hauteur d'oreille en le posant sur une table ou sur une chaise.
- Il ne sera pas possible d'obtenir des mesures précises s'il y a des obstacles entre les enceintes et la position d'écoute (microphone).
- Pendant les mesures éloignez-vous de la position d'écoute et actionnez la télécommande loin de toutes les enceintes.

1 Raccordez le microphone de configuration fourni.



L'écran Full Auto MCACC apparaît sur votre téléviseur.



2 Appuyez sur MAIN RECEIVER de la télécommande pour effectuer les opérations.

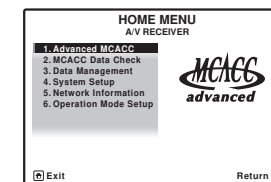
- Lorsque le curseur est amené sur **Measurement Type** et que **Basic** est sélectionné, **Speaker Setting/Channel Level/Speaker Distance** est ajustés automatiquement. Sélectionner **Expert** permet également d'ajuster automatiquement **Standing Wave/Acoustic Cal EQ** (caractéristiques de fréquence).

3 Amenez le curseur sur START et appuyez sur la touche ENTER.

- La mesure automatique commence.
- La mesure dure de 3 à 12 minutes.

4 Suivez les instructions affichées à l'écran.

- Le réglage automatique est terminé lorsque la page Home Menu apparaît.

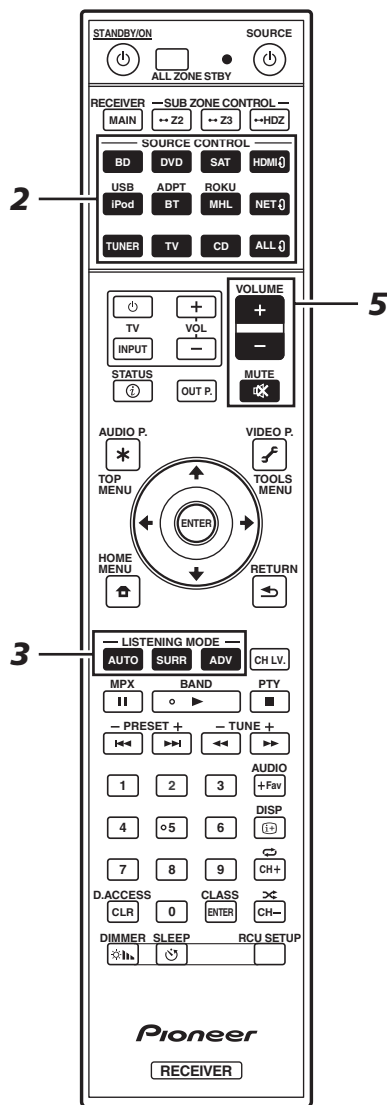


- Si **Reverse Phase** s'affiche, les fils du cordon d'enceinte (+ et -) ont peut-être été inversés. Vérifiez les liaisons des enceintes. Même si les liaisons sont correctes, **Reverse Phase** peut s'afficher, selon les enceintes et l'environnement surround. Ceci n'a cependant aucun effet sur les mesures, et vous pouvez sélectionner **Go Next**.

- Si l'alimentation électrique se coupe, l'âme du câble des enceintes est peut-être en contact avec le panneau arrière ou alors les fils (+) et (-) se touchent, ce qui provoque l'activation des circuits de protection. Torsadez de nouveau l'âme du câble des enceintes et raccordez-le de manière à ce qu'il ne dépasse pas hors de la borne d'enceinte.

5 Assurez-vous de débrancher le microphone de configuration.

Lecture multicanaux



1 Allumez le lecteur.

Ex.) Allumez le lecteur de disque Blu-ray raccordé à la prise **HDMI BD IN**.

2 Sélectionnez l'entrée du récepteur.

Ex.) Appuyez sur **BD** pour sélectionner l'entrée **BD**.

3 Appuyez sur **AUTO** pour sélectionner 'AUTO SURROUND'.

Appuyez aussi sur **SURR** ou **ADV** pour la lecture multicanaux. Sélectionnez votre mode d'écoute préférée.

4 Démarrez la lecture sur le lecteur.

Ex.) Démarrez la lecture sur le lecteur de disque Blu-ray.

5 Utilisez **VOLUME +/-** pour régler le volume.

- Si aucun son ne sort des enceintes centrales et arrière, appuyez sur **SURR** ou **ADV** pour modifier les modes d'écoute.
Ex.) Appuyez plusieurs fois sur la touche **ADV** pour sélectionner **EXT.STEREO**.
- **Aucun son n'est émis du caisson de grave Cause - les enceintes avant sont réglées sur LARGE.**
Si la source audio est à 2 voies, la composante basses fréquences n'est pas émise par le caisson de grave, mais par les enceintes avant.

Solution – Pour une écoute du caisson de grave, modifiez le réglage des enceintes.

Méthode 1 : Modifiez le réglage des enceintes avant en **SMALL**.

La composante basses fréquences est à présent émise par le caisson de grave et non pas des enceintes avant. Lorsque les enceintes avant présentes de bonnes performances de reproduction des basses fréquences, nous recommandons de ne pas modifier ce réglage.

Méthode 2 : Modifiez le réglage du caisson de grave en **PLUS**.

La composante basses fréquences est émise par les enceintes avant et le caisson de grave. De ce fait, les sons graves sont parfois trop puissants. Dans ce cas, nous recommandons de ne pas modifier le réglage ou d'appliquer la méthode 1.

- Reportez-vous à la rubrique "Réglage des enceintes" du mode d'emploi pour plus d'informations.
- Si aucun son n'est émis, augmentez le volume à environ -30 dB.

Remarque

- Lorsque la télécommande est inopérante sur l'appareil – Lorsque vous utilisez le récepteur, appuyez sur **MAIN RECEIVER** avant de l'utiliser.
- Lorsque vous voulez utiliser des fonctions comme le réseau, le **TUNER** ou l'iPod, appuyez sur la touche de fonction appropriée (**NET**, **TUNER**, **iPod**, etc.) avant de l'utiliser.

Écoute de la radio

1 Appuyez sur **TUNER** pour sélectionner le tuner.

Si nécessaire, appuyez sur **BAND** pour changer de bande (FM ou AM).

2 Appuyez sur **TUNE +/-** pour accorder une station.

- Appuyez sur **TUNE +/-** et maintenez une seconde enfoncée. Le récepteur recherche la station suivante.
- Si vous écoutez une station FM mais que la réception est faible, appuyez sur **MPX** pour sélectionner FM MONO et réglez le récepteur sur le mode de réception mono.

Sauvegarde des stations pré-réglées

Si vous écoutez souvent une station radio précise, il est intéressant d'en mémoriser la fréquence pour faire l'accord rapidement sur cette station lorsque vous souhaitez l'écouter.

1 Appuyez sur **TOOLS** pendant la réception du signal de la station que vous voulez sauvegarder.

Le numéro de pré-réglage clignote.

2 Appuyez sur **PRESET +/-** pour sélectionner le numéro de pré-réglage souhaité, puis appuyez sur **ENTER**.

Le numéro de pré-réglage cesse de clignoter et la station est sauvegardée.

Écouter des stations pré-réglées

Pour ce faire, vous devez avoir pré-réglé des stations.

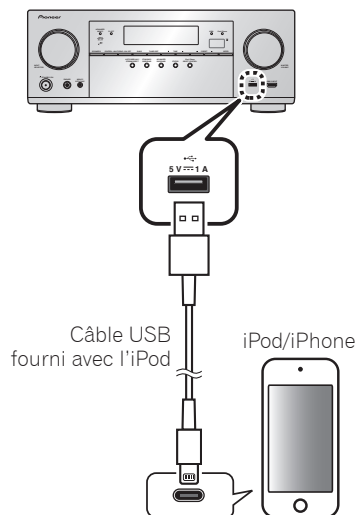
- Appuyez sur **PRESET +/-** pour sélectionner la station pré-réglée de votre choix.

Lecture d'un iPod

- Environ une minute est nécessaire entre la mise sous tension et la fin de la phase de démarrage.

1 Raccordez votre iPod.

Vous pouvez raccorder un iPod/iPhone au récepteur.



2 Appuyez sur iPod USB pour sélectionner l'entrée iPod/USB.

Lorsque les noms de dossiers et de fichiers apparaissent sur l'afficheur, vous pouvez écouter la musique enregistrée sur l'iPod.

3 Utilisez ↑/↓ pour sélectionner une catégorie, puis appuyez sur ENTER pour naviguer dans cette catégorie.

- Pour revenir à tout moment au niveau précédent, appuyez sur **RETURN**.

4 Utilisez ↑/↓ pour naviguer dans la catégorie sélectionnée (par exemple, albums).

- Utilisez ←/→ pour passer au niveau précédent/suivant.

5 Poursuivez votre navigation jusqu'à atteindre les éléments que vous souhaitez lire, puis appuyez sur ► pour lancer la lecture.

Ecoute des stations radio Internet

- Environ une minute est nécessaire entre la mise sous tension et la fin de la phase de démarrage.

Important

- Pour utiliser une connexion Internet à haut débit, il faut être abonné à un fournisseur de service Internet. Pour le détail, contactez le fournisseur de service Internet le plus proche.
- Pour écouter les stations radio Internet, vous devez avoir un accès haute vitesse à Internet par une large bande. Avec un modem de 56 K ou ISDN, vous ne pourrez pas profiter pleinement de la radio Internet.
- L'accès aux contenus fournis par des tiers exige une connexion Internet haut débit et peut aussi exiger la création d'un compte et des droits de souscription. Les services de contenus de tiers peuvent être changés, suspendus ou interrompus à tout moment sans préavis, et Pioneer décline toute responsabilité quant à ces changements. Pioneer ne certifie ou garantit que les services de contenus continueront d'être fournis ou disponibles pendant une période précise et décline toute garantie explicite ou implicite de ce type.

1 Appuyez plusieurs fois de suite sur NET pour sélectionner l'entrée INTERNET RADIO.

Il faut quelques secondes au récepteur pour accéder au réseau.

2 Utilisez ↑/↓ pour sélectionner la station radio Internet que vous voulez écouter, puis appuyez sur ENTER.

Pour profiter au maximum des nombreuses fonctions de l'appareil

▼ Lancez l'AVNavigator et utilisez le "Interactive Operation Guide".

▼ Insérez le CD-ROM dans votre ordinateur et téléchargez le "Mode d'emploi" (PDF) apparaissant sur le menu pour le lire.

Fonctions

- Lecture d'un dispositif USB
- Lecture de musique à l'aide de la technologie sans fil Bluetooth
- Lecture avec la fonction NETWORK
- Réglage des options audio
- Réglages des options vidéo
- Utilisation des commandes MULTI-ZONE

FAQ

Glossaire

Index des fonctions

Remarque

- Cet appareil prend en charge AirPlay. Pour les détails, reportez-vous à la rubrique "Utilisation d'AirPlay sur un iPod touch, iPhone, iPad et iTunes" du mode d'emploi et au site d'Apple (<http://www.apple.com>).
- Le logiciel de cet appareil peut être mis à jour ("Mise à jour du logiciel" dans le mode d'emploi). Avec Mac OS, il peut être mis à jour avec Safari ("Utilisation de Safari pour mettre à jour le micrologiciel" dans le mode d'emploi).

Genießen Sie leichte Mehrkanal-Wiedergabe mit diesem Gerät in 3 Schritten:

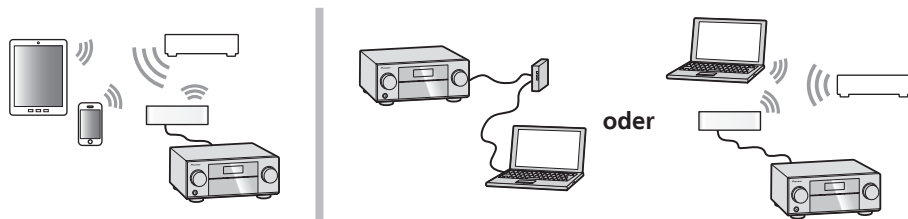
STEP 1 Anschlüsse → **STEP 2** Anfangseinstellungen → **STEP 3** Grundlegende Wiedergabe.

In dieser Kurzanleitung finden Sie Details zum Verbinden und der Ersteinrichtung, doch **Wiring Navi** in AVNavigator erleichtert diese Schritte erheblich.

Verbinden Sie das Gerät und nehmen Sie die Ersteinrichtung je nach Verwendungszweck von AVNavigator mit der entsprechenden Methode vor. Darüber hinaus können Sie mit der **Interactive Operation Guide** in AVNavigator Details zu den grundlegenden Vorgängen erfahren.

Anschluss und Anfangseinstellungen

Anschluss und Anfangseinstellungen entsprechend den Anweisungen in „Wiring Navi“ im AVNavigator
(Anschluss am Netzwerk ist für die Anfangseinstellungen erforderlich.)



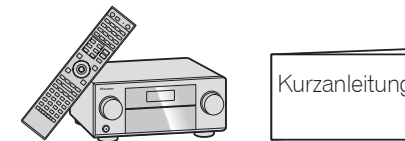
Diese Anleitung muss nicht unbedingt zu Erläuterungszwecken gelesen werden.

STEP 1 **STEP 2** werden unter **Wiring Navi** erläutert.

Gehen Sie zu „Verwenden des integrierten AVNavigator“ in dieser Anleitung.

Sie können die **Interactive Operation Guide** in **STEP 3** heranziehen. Die Inhalte sind interaktiv mit diesem Produkt verbunden, wobei Sie während der Verwendung des Produkts mit den Funktionen vertraut gemacht werden und sich diese merken können.

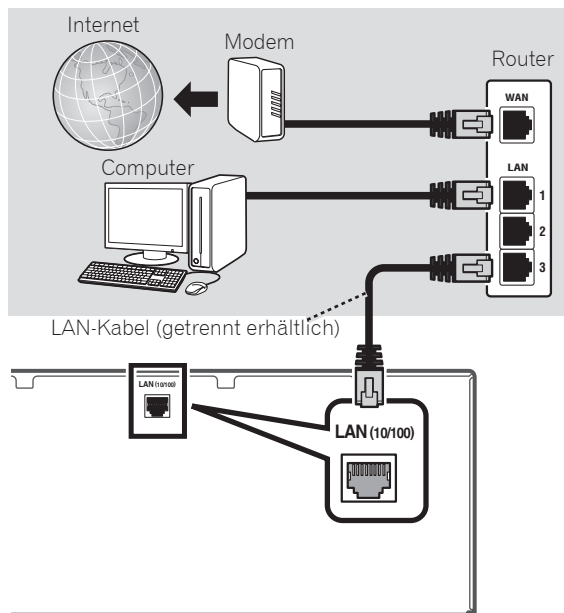
Anschluss und Anfangseinstellungen unter Bezug auf diese Kurzanleitung



Gehen Sie zu **STEP 1** in dieser Anleitung weiter.

Verwenden des integrierten AVNavigator

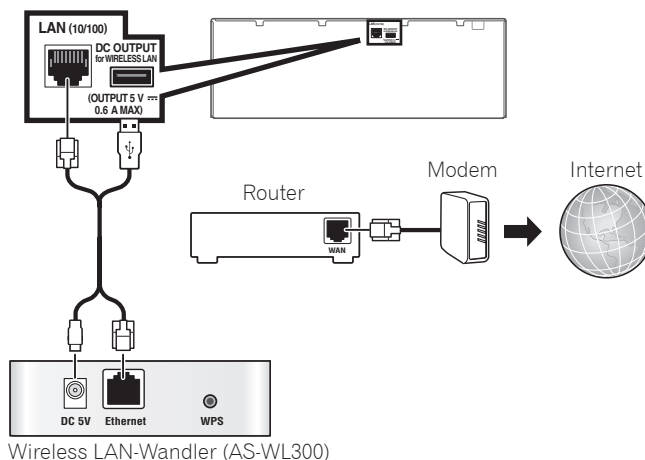
Herstellen der Verbindung zum Netzwerk über die LAN-Schnittstelle



Anschluss an ein WLAN

Drahtlose Verbindung mit einem Netzwerk ist über eine WLAN-Verbindung möglich. Verwenden Sie das separat vertriebene AS-WL300 zur Verbindung.

- Verwenden Sie nur das als Zubehör mitgelieferte Verbindungskabel.
- Bestimmte Einstellungen sind zur Verwendung eines Wireless LAN-Wandlers (AS-WL300) erforderlich. Für Anweisungen zum Vornehmen dieser Einstellungen siehe mit dem Wireless LAN-Wandler (AS-WL300) mitgelieferte Bedienungsanleitung.



Anschluss des Receivers an das Stromnetz

Stellen Sie eine LAN-Verbindung her und verbinden Sie das Netzkabel des Receivers mit einer Steckdose.

⚠ AUHTUNG

- Fassen Sie das Netzkabel am Stecker an. Ziehen Sie den Stecker nicht durch Ziehen am Kabel heraus, und berühren Sie das Netzkabel niemals mit nassen Händen, da dies einen Kurzschluss oder einen elektrischen Schlag verursachen könnte. Stellen Sie weder das Gerät, noch ein Möbelstück oder einen anderen Gegenstand auf das

Netzkabel, und klemmen Sie das Netzkabel nicht ein. Machen Sie niemals einen Knoten in das Kabel, und befestigen Sie es auch nicht an anderen Kabeln. Netzkabel müssen möglichst so verlegt werden, dass niemand darauf treten kann. Ein beschädigtes Netzkabel kann einen Brand oder einen elektrischen Schlag verursachen. Überprüfen Sie das Netzkabel hin und wieder. Wenn Sie eine Beschädigung feststellen, wenden Sie sich zwecks eines Austauschs an einen von Pioneer autorisierten, unabhängigen Kundendienst.

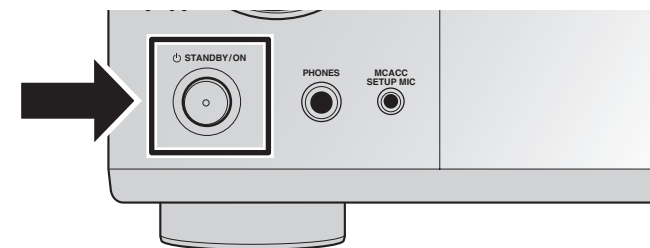
- Verwenden Sie kein anderes als das im Lieferumfang dieses Gerätes enthaltene Netzkabel.
- Verwenden Sie das im Lieferumfang enthaltene Netzkabel nur für die unten beschriebenen Zwecke.
- Wenn dieser Receiver über einen längeren Zeitraum nicht verwendet werden soll (z. B. wenn Sie verreisen), sollte er vom Stromnetz getrennt werden, indem der Netzstecker aus der Wandsteckdose herausgezogen wird.
- Vergewissern Sie sich vor dem Herausziehen des Netzsteckers, dass die blaue **STANDBY/ON**-Lampe nicht mehr leuchtet.

- 1 Schließen Sie das mitgelieferte Netzkabel an die AC IN-Buchse auf der Rückseite des Receivers an.**
- 2 Schließen Sie das andere Ende an eine Steckdose an.**

Einschalten des Geräts

Drücken Sie auf **STANDBY/ON** um den Receiver und Ihren Computer einzuschalten.

Warten Sie nach dem Einschalten einige Minuten, bevor Sie folgende Bedienschritte vornehmen.



Starten des integrierten AVNavigator

Bedienen Sie AVNavigator, indem Sie den Anweisungen auf dem Bildschirm Ihres Computers usw. folgen.

Betriebsumgebung

- Der AVNavigator kann in den folgenden Umgebungen verwendet werden:
 - Windows-PC: Microsoft® Windows® XP/Windows Vista®/Windows® 7/Windows® 8/Windows® 8.1
 - Mac OS: Mac OSX (10.7, 10.8 oder 10.9)
 - iPad/iPhone/iPod touch: iOS 7
 - Android-Gerät: Android 4.0.4
- Einige AVNavigator-Funktionen verwenden einen Internetbrowser. Die folgenden Browser werden unterstützt:
 - Windows-PC: Internet Explorer® 8, 9, 10, 11
 - Mac OS/iPad/iPhone/iPod touch: Safari 6.0
 - Android-Gerät: Android-Browser
- Um bestimmte AVNavigator-Funktionen nutzen zu können, muss die aktuellste Version von Adobe® Flash® Player installiert sein. Details finden Sie auf folgender Website: <http://www.adobe.com/downloads/>
- AVNavigator funktioniert je nach den Computer-Netzwerkeinstellungen oder Sicherheitseinstellungen eventuell nicht.

Verwenden eines Windows-PCs

- Starten Sie Internet Explorer und geben Sie die IP-Adresse dieses Geräts in die Adressleiste des Internet Explorers ein. (Geben Sie in einem Webbrowser die IP-Adresse „http://(IP-Adresse des Receivers)“ ein.) Sie können die IP-Adresse dieses Geräts auf seinem vorderen Bedienfeld anzeigen, indem Sie auf die **STATUS**-Taste auf der Fernbedienung drücken.
- Verwenden Sie bei einem Windows-PC mit einem anderen Betriebssystem als Windows XP die folgende Methode, um AVNavigator zu starten.
- Starten Sie den Explorer und klicken Sie im **Network**-Ordner mit der rechten Maustaste auf <VSX-924> und klicken Sie dann auf **View device webpage**.



Verwenden eines Mac

Starten Sie Safari, und klicken Sie auf <VSX-924>, das unter **Bonjour** auf der Lesezeichenleiste angezeigt wird.



- Wenn **Bonjour** nicht angezeigt wird, markieren Sie das Kontrollkästchen **Include Bonjour in the Favorites bar** in der Registerkarte **Advanced** im Safari-Menü **Preferences...**.



Verwenden eines iPad/iPhone/iPod touch

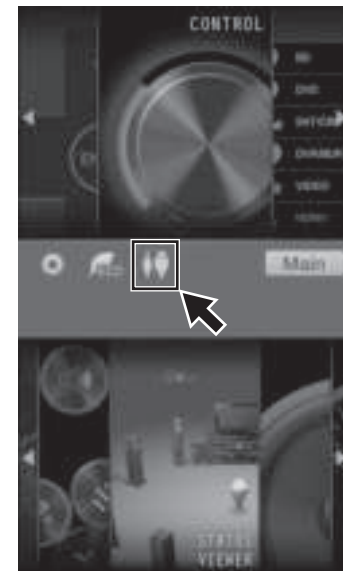
Laden Sie die kostenlose Anwendung iControlAV5 aus dem App Store herunter.

Starten Sie iControlAV5 und folgen Sie den Anweisungen auf dem Bildschirm. Drücken Sie anschließend auf dem Startbildschirm auf **AVNavigator** oder das Symbol.

iPad



iPhone/iPod touch

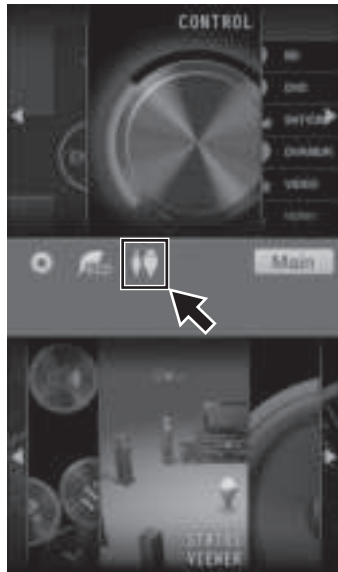


■ Verwenden eines iPads

Auf einem iPad kann AVNavigator für iPad genutzt werden. Laden Sie AVNavigator für iPad aus den App Store herunter. Starten Sie AVNavigator für iPad und folgen Sie den Anweisungen auf dem Bildschirm.

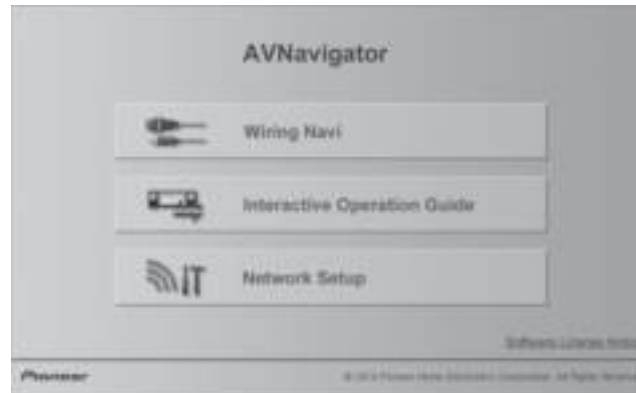
Verwenden eines Android-Geräts

Laden Sie iControlAV5 von Google Play Store herunter. Starten Sie iControlAV5 und folgen Sie den Anweisungen auf dem Bildschirm. Drücken Sie dann auf dem Startbildschirm auf das Symbol.



Über die Verwendung von Wiring Navi

Wiring Navi wird gestartet, wenn 'Wiring Navi' auf dem AVNavigator-Bildschirm gedrückt wird.



- Fahren Sie mit **STEP 3** fort, wenn die Verbindungsnavigation abgeschlossen ist.

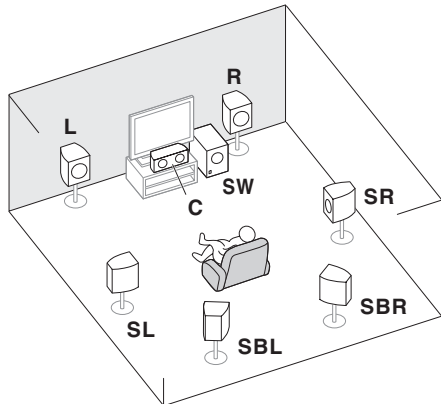
STEP 1 Anschlüsse

Anschluss der Lautsprecher

Der Receiver arbeitet mit nur zwei Stereolautsprechern (den vorderen Lautsprechern in der Abbildung), aber die Verwendung von mindestens fünf Lautsprechern wird empfohlen, und eine komplette Einrichtung ist am besten für den Surroundklang.

Stellen Sie Ihre Lautsprecher wie unten dargestellt auf, um einen angenehmen Surroundklang zu erzielen.

7.1-Kanal-Surround-System:



- L – Vorne links
- C – Center
- R – Vorne rechts
- SL – Surround links
- SR – Surround rechts
- SBL – Surround hinten links
- SBR – Surround hinten rechts
- SW – Subwoofer

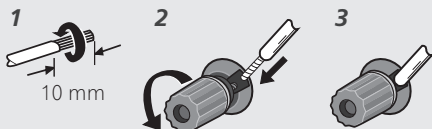
Hinweis

- There are also other speaker connection patterns (front height, front wide, etc.). Einzelheiten siehe „Anschluss der Geräte“ in der Bedienungsanleitung.

Anschluss der Lautsprecherkabel

Stellen Sie sicher, dass Sie den Lautsprecher rechts an den rechten Anschluss (R) und den Lautsprecher links an den linken Anschluss (L) anschließen. Stellen Sie außerdem sicher, dass die positiven/negativen (+/-) Lautsprecheranschlüsse am Receiver den entsprechenden Anschlüssen der Lautsprecher entsprechen.

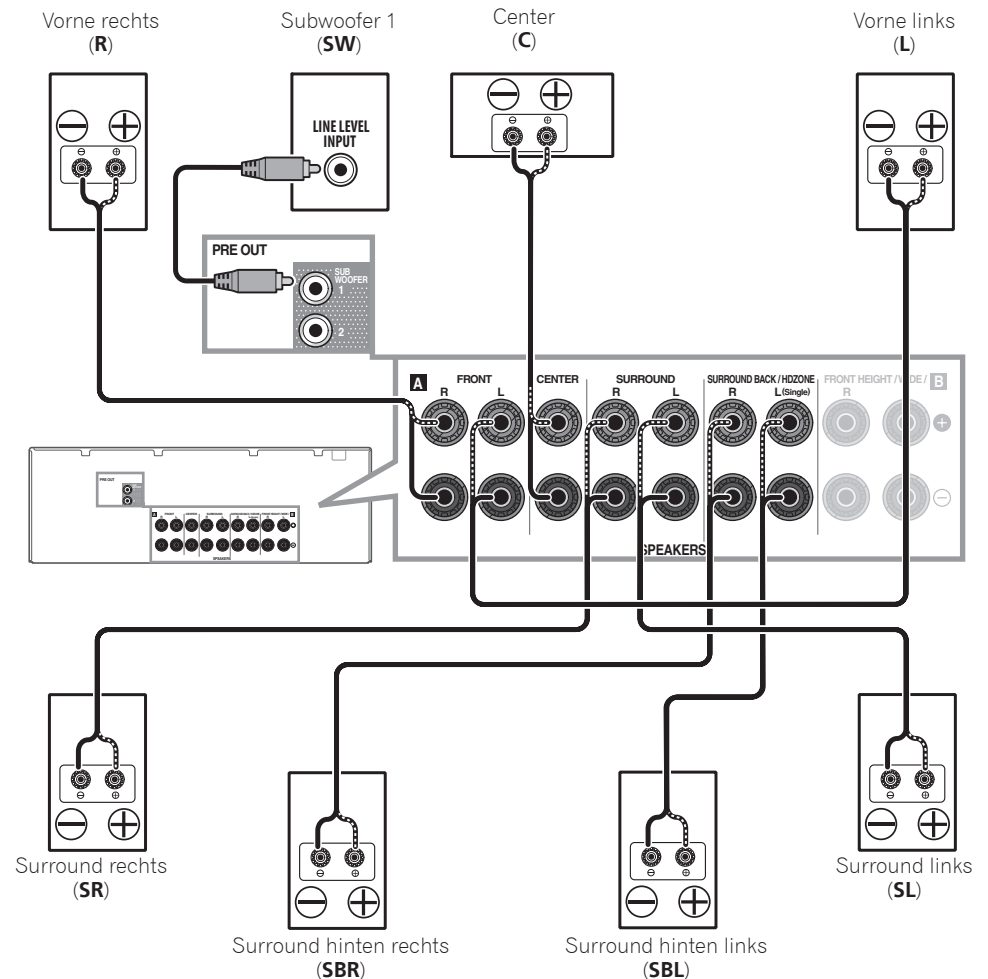
- 1 Drehen Sie freiliegende Drahtstränge zusammen.
- 2 Lösen Sie die Klemme und setzen Sie den freiliegenden Draht ein.
- 3 Ziehen Sie die Klemme fest.



AUHTUNG

- Bevor Sie Verbindungen herstellen oder ändern, schalten Sie bitte die Stromversorgung aus, und ziehen Sie das Netzkabel aus der Wechselstromsteckdose.
- Diese Lautsprecheranschlüsse führen **LEBENSGEFÄHRLICHE** Spannung. Um beim Anschließen oder Trennen der Lautsprecherkabel Stromschlaggefahr zu vermeiden, ziehen Sie den Netzstecker, bevor Sie nicht isolierte Teile berühren.

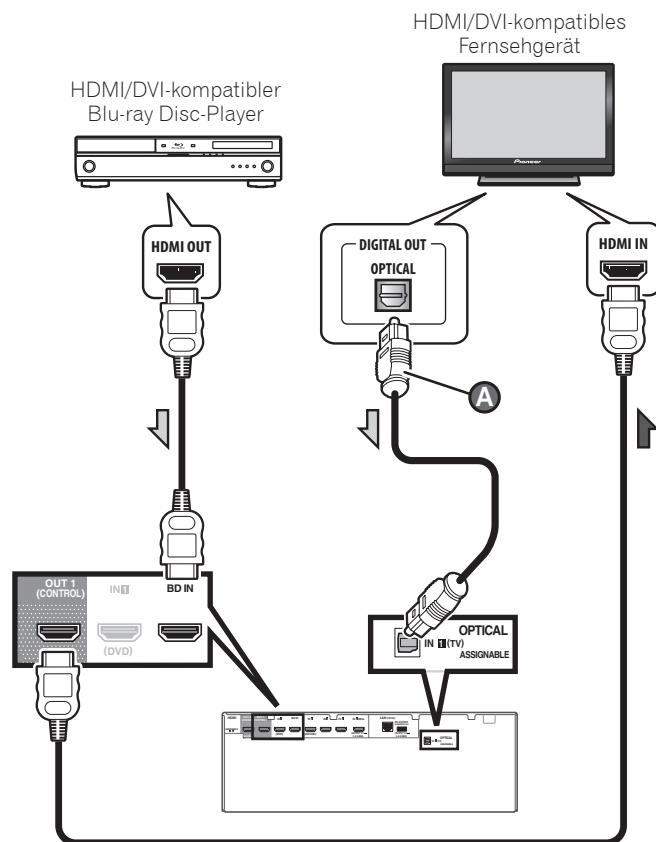
Schließen Sie Lautsprecher nach der Installation wie unten dargestellt an.



Hinweis

- Falls Sie nur einen hinteren Surround-Lautsprecher anschließen, schließen Sie diesen an die **SURROUND BACK L (Single)**-Anschlüsse an.
- Dieses Gerät unterstützt Lautsprecher mit einer Nennimpedanz von 6 Ω bis 16 Ω.

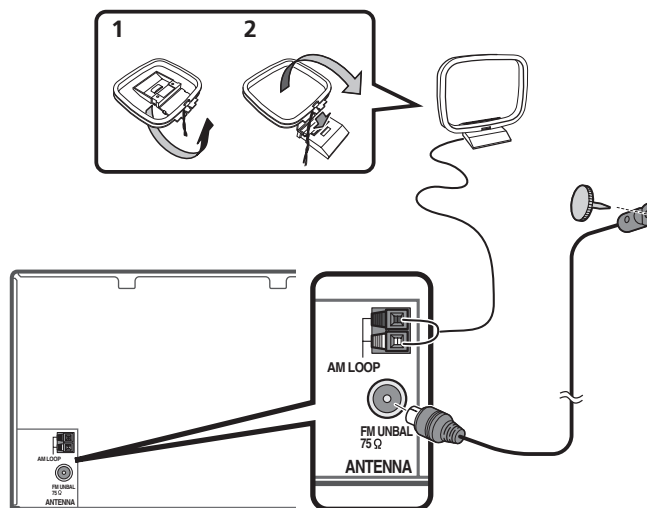
Anschluss eines Fernsehgeräts und von Wiedergabe-Komponenten



- Wenn der Fernseher die HDMI Audio Return Channel-Funktion nicht unterstützt, erfordert dies den Anschluss eines optischen Digitalkabels (A) zum Hören des Fernsehtons über den Receiver.
- Wenn der Fernseher die HDMI Audio Return Channel-Funktion unterstützt, wird der Ton des Fernsehers über den HDMI-Anschluss zum Receiver eingespeist, sodass Sie kein optisches Digitalkabel (A) anschließen müssen. Stellen Sie in diesem Fall **ARC** im **HDMI Setup** auf **ON**. Einzelheiten siehe „HDMI Setup“ in der Bedienungsanleitung.
- Beachten Sie auch die Bedienungsanleitung des Fernsehgeräts für Anweisungen zum Anschließen und Einrichten für das Fernsehgerät.
- Bei den standardmäßigen Werkseinstellungen wird kein Video

über den HDMI-Anschluss ausgegeben, wenn die Verbindung über ein Video- oder Komponentenkabel erfolgt. Um ein Video ausgeben zu können, muss der Videoeingang zu dem Gerät umgeschaltet werden, an den das Video- oder Komponentenkabel angeschlossen ist, und **V.CONV** muss auf **ON**. Einzelheiten siehe „Einstellen der Video-Optionen“ in der Bedienungsanleitung.

Anschluss der Antennen



Hinweis

- Siehe Bedienungsanleitung auf der mitgelieferten CD-ROM, wenn Sie ein Fernsehgerät oder eine Wiedergabekomponente auf andere Weise als über HDMI-Verbindung anschließen wollen.
- Siehe Bedienungsanleitung auf der mitgelieferten bezüglich Anschluss anderer Geräte.

Anschluss des Receivers an das Stromnetz

Schließen Sie den Receiver erst an das Stromnetz an, nachdem Sie alle gewünschten Komponenten an diesen Receiver angeschlossen haben, einschließlich der Lautsprecher.

AUHTUNG

- Fassen Sie das Netzkabel am Stecker an. Ziehen Sie den

Stecker nicht durch Ziehen am Kabel heraus, und berühren Sie das Netzkabel niemals mit nassen Händen, da dies einen Kurzschluss oder einen elektrischen Schlag verursachen könnte. Stellen Sie weder das Gerät, noch ein Möbelstück oder einen anderen Gegenstand auf das Netzkabel, und klemmen Sie das Netzkabel nicht ein. Machen Sie niemals einen Knoten in das Kabel, und befestigen Sie es auch nicht an anderen Kabeln. Netzkabel müssen möglichst so verlegt werden, dass niemand darauf treten kann. Ein beschädigtes Netzkabel kann einen Brand oder einen elektrischen Schlag verursachen. Überprüfen Sie das Netzkabel hin und wieder. Wenn Sie eine Beschädigung feststellen, wenden Sie sich zwecks eines Austauschs an einen von Pioneer autorisierten, unabhängigen Kundendienst.

- Verwenden Sie kein anderes als das im Lieferumfang dieses Gerätes enthaltene Netzkabel.
- Verwenden Sie das im Lieferumfang enthaltene Netzkabel nur für die unten beschriebenen Zwecke.
- Wenn dieser Receiver über einen längeren Zeitraum nicht verwendet werden soll (z. B. wenn Sie verreisen), sollte er vom Stromnetz getrennt werden, indem der Netzstecker aus der Wandsteckdose herausgezogen wird.
- Vergewissern Sie sich vor dem Herausziehen des Netzsteckers, dass die blaue **STANDBY/ON**-Lampe nicht mehr leuchtet.

- 1 Schließen Sie das mitgelieferte Netzkabel an die AC IN-Buchse auf der Rückseite des Receivers an.**
- 2 Schließen Sie das andere Ende an eine Steckdose an.**

VORSICHTSHINWEIS ZUR BELÜFTUNG

Bei der Aufstellung dieses Gerätes muss für einen ausreichenden Freiraum gesorgt werden, um eine einwandfreie Wärmeabfuhr zu gewährleisten (mindestens 40 cm oberhalb des Gerätes, 10 cm hinter dem Gerät und jeweils 20 cm an der Seite des Gerätes).

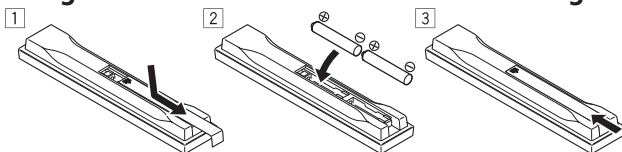
WARNUNG

Im Gerätegehäuse sind Ventilationsschlitze und andere Öffnungen vorgesehen, die dazu dienen, eine Überhitzung des Gerätes zu verhindern und einen zuverlässigen Betrieb zu gewährleisten. Um Brandgefahr auszuschließen, dürfen diese Öffnungen auf keinen Fall blockiert oder mit Gegenständen (z.B. Zeitungen, Tischdecken und Gardinen) abgedeckt werden, und das Gerät darf beim Betrieb nicht auf einem dicken Teppich oder Bett aufgestellt sein.

STEP 2 Anfangseinstellungen

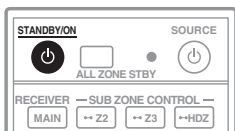
Vor der Inbetriebnahme

1 Legen Sie die Batterien in die Fernbedienung ein.



Die mit dem Gerät mitgelieferten Batterien sind dazu gedacht, den anfänglichen Betrieb zu prüfen; sie halten nicht für längere Zeit. Wir empfehlen die Verwendung von Alkalibatterien, da diese eine längere Lebensdauer haben.

2 Schalten Sie den Receiver und Ihr Fernsehgerät ein.



3 Schalten Sie den Fernsehgang um, so dass er mit dem Receiver verbunden ist.

4 Schalten Sie den Subwoofer ein und steigern die Lautstärke.

! WARNUNG

- Verwenden oder lagern Sie Batterien nicht in direktem Sonnenlicht oder an sehr heißen Orten wie im Inneren eines Fahrzeugs oder in der Nähe von Heizkörpern. Dadurch können Batterien leck werden, sich überhitzen oder in Brand geraten. Außerdem kann die Lebensdauer oder Leistung von Batterien beeinträchtigt werden.

! AUHTUNG

- Stellen Sie beim Einsetzen der Batterien sicher, dass nicht die Federn an den (-)-Batteriepolen beschädigt werden. Dadurch können die Batterien auslaufen oder sich überhitzen.
- Beachten Sie bei der Entsorgung verbrauchter Batterien und Akkus die gesetzlichen und umweltrechtlichen Bestimmungen Ihres Wohnortes.

Automatische Einstellung des Surround-Klangs (MCACC)

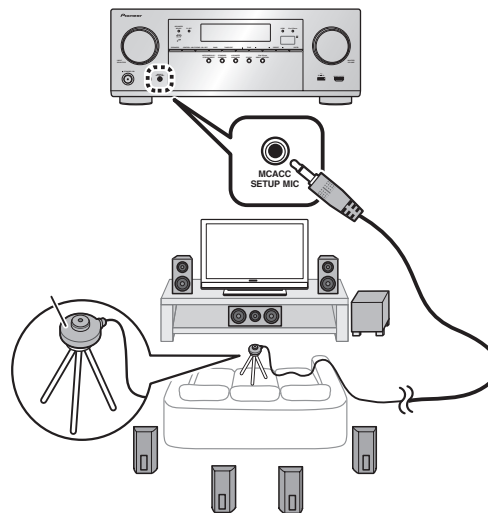
Die Auto Multi-Channel ACoustic Calibration (MCACC) Einrichtung verwendet das mitgelieferte Setup-Mikrofon, um

den von den Lautsprechern ausgegebenen Testton zu messen und zu analysieren. Dieses Setup aktiviert automatische hochpräzise Messung und Einstellungen; seine verwendet führt zu einer optimalen Hörumgebung für den Anwender.

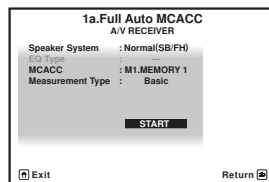
! Wichtig

- Führen Sie die Messung in einer leisen Umgebung aus.
- Wenn ein Stativ zur Verfügung steht, stellen Sie das Mikrofon bitte in der Höhe auf, die Ihrer Hörposition entspricht. Wenn nicht, stellen Sie das Mikrofon in Ohrhöhe auf einen Tisch oder Stuhl.
- Genaue Messung kann unmöglich sein, wenn sich Hindernisse zwischen den Lautsprechern und der Hörposition (Mikrofon) befinden.
- Treten Sie bei der Messung von der Hörposition zurück und führen Sie Bedienung mit der Fernbedienung von der Außenseite aller Lautsprecher aus.

1 Schließen Sie das mitgelieferte Setup-Mikrofon an.



Die Bildschirmansicht **Full Auto MCACC** erscheint auf Ihrem Fernsehgerät.



2 Drücken Sie auf MAIN RECEIVER auf der Fernbedienung, und bedienen Sie das Gerät.

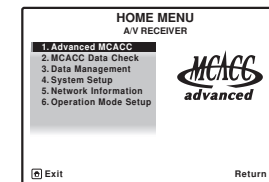
- Wenn der Cursor auf **Measurement Type** zeigt und **Basic** ausgewählt ist, werden die Optionen **Speaker Setting/Channel Level/Speaker Distance** automatisch angepasst. Durch Wahl von **Expert** können ebenfalls die Einstellungen **Standing Wave/Acoustic Cal EQ** (Frequenzmerkmale) automatisch angepasst werden.

3 Bringen Sie den Cursor auf START, und drücken Sie auf die ENTER-Taste.

- Die automatische Messung beginnt.
- Die Messung dauert etwa 3 bis 12 Minuten.

4 Befolgen Sie die Anweisungen auf der Bildschirmansicht.

- Die automatische Einstellung ist beendet, wenn die Bildschirmansicht Home Menu erscheint.



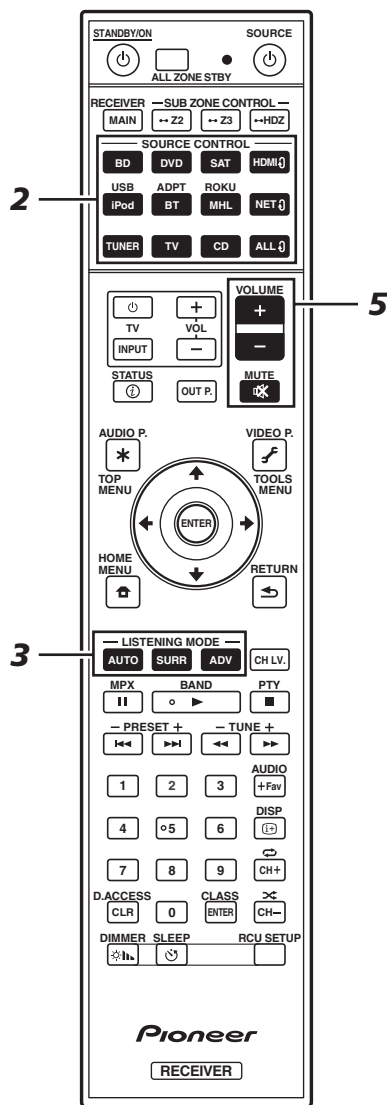
- Wenn Reverse Phase angezeigt wird, kann die Verdrahtung (+ und -) des Lautsprechers invertiert sein. Überprüfen Sie die Lautsprecheranschlüsse. Selbst wenn die Verbindungen korrekt sind, wird eventuell je nach den Lautsprechern und der Umgebung **Reverse Phase** angezeigt. Dies beeinflusst die Messung nicht, wählen Sie deshalb **Go Next**.

- Wenn die Stromversorgung getrennt wird, steht der Kern des Lautsprecherkabels eventuell in Kontakt mit der Geräterückseite, oder die (+)- und (-)-Kontakte berühren einander, was die Schutzschaltung aktiviert. Verdrillen Sie den Kern des Lautsprecherkabels erneut, und schließen Sie das Kabel so an, dass es nicht aus dem Lautsprecheranschluss herausragt.

5 Stellen Sie sicher, dass das Setup-Mikrofon nicht angeschlossen ist.

STEP 3 Grundlegende Wiedergabe

Mehrkanalwiedergabe



1 Schalten Sie die Wiedergabekomponente ein.

Z.B.) Schalten Sie den Blu-ray Disc-Player, der an den HDMI BD IN-Anschluss angeschlossen ist, ein.

2 Schalten Sie den Eingang des Receivers ein.

Z.B.) Drücken Sie **BD**, um den **BD**-Eingang zu wählen.

3 Drücken Sie **AUTO** zur Wahl von ‚AUTO SURROUND‘.

Drücken Sie auch **SURR** oder **ADV** für Mehrkanalwiedergabe. Wählen Sie ihre bevorzugte Hörbetriebsart.

4 Starten Sie die Wiedergabe der Wiedergabekomponente.

Z.B.) Starten Sie die Wiedergabe des Blu-ray Disc-Players.

5 Mit dem **VOLUME +/-** können Sie die Lautstärke einstellen.

- Wenn kein Ton vom Center- und hinteren Lautsprecher zu hören ist, drücken Sie auf **SURR** oder **ADV**, um den Hörmodus zu wechseln.
Z.B.) Drücken Sie mehrmals auf die **ADV**-Taste, um **EXT. STEREO** auszuwählen.
- Wenn der Subwoofer keinen Ton ausgibt
Ursache – Der vordere Lautsprecher ist auf LARGE eingestellt.

Wenn eine 2-Kanal-Audioquelle ausgewählt ist, wird die Niederfrequenzkomponente nicht über den Subwoofer, sondern über den vorderen Lautsprecher ausgegeben.

Lösung – Ändern Sie die Lautsprechereinstellung für eine Ausgabe über den Subwoofer.

Methode 1: Stellen Sie die Einstellung für den vorderen Lautsprecher auf **SMALL**.

Die Niederfrequenzkomponente wird nicht über den vorderen Lautsprecher, sondern den Subwoofer ausgegeben. Wenn die Niederfrequenz-Wiedergabefähigkeit des vorderen Lautspechters hoch ist, wird eine Änderung der Einstellung nicht empfohlen.

Methode 2: Stellen Sie die Subwoofereinstellung auf **PLUS**. Die Niederfrequenzkomponente wird über den vorderen Lautsprecher und Subwoofer ausgegeben. Aus diesem Grund werden gelegentlich zu laute Bässe ausgegeben. In diesem Fall wird eine Änderung der Einstellung nicht empfohlen bzw. wechseln Sie zu Methode 1.

- Einzelheiten siehe „Lautsprechereinstellung“ in der Bedienungsanleitung.
- Wenn kein Ton ausgegeben wird, erhöhen Sie die Lautstärke auf ca. -30 dB.

Hinweis

- Wenn die Fernbedienung nicht zur Steuerung des Geräts

verwendet werden kann

– Drücken Sie vor der Verwendung des Receivers zuerst auf **MAIN RECEIVER**.

– Drücken Sie bei der Bedienung von Funktionen wie Netzwerk, TUNER oder iPod vorab auf die entsprechende Funktionstaste (**NET**, **TUNER**, **iPod** usw.).

Radio hören

1 Drücken Sie **TUNER**, um den Tuner auszuwählen.

Drücken Sie bei Bedarf **BAND**, um den Wellenbereich (UKW oder MW) zu wechseln.

2 Drücken Sie **TUNE +/-**, um auf einen Sender abzustimmen.

- Halten Sie **TUNE +/-** für ca. eine Sekunde gedrückt. Der Receiver beginnt mit der Suche nach dem nächsten Sender.
- Wenn der Empfang eines schwach einfallenden UKW-Senders schwach ist, drücken Sie **MPX**, um FM MONO zu wählen und den Receiver auf Mono-Empfang umzuschalten.

Speichern der Sender-Voreinstellung

Wenn Sie einen bestimmten Radiosender oft hören, ist es praktisch, die Frequenz zu speichern, um den Sender später immer dann einfach aufrufen zu können, wenn Sie ihn hören möchten.

1 Drücken Sie **TOOLS**, während ein Signal von dem zu Speichern gewünschten Sender empfangen wird.

Die Festsendernummer blinkt.

2 Drücken Sie **PRESET +/-**, um den von Ihnen gewünschten voreingestellten Sender auszuwählen, und drücken Sie dann **ENTER**.

Die Festsendernummer hört auf zu blinken, und der Receiver speichert den Sender.

Hören voreingestellter Sender

Dazu müssen zunächst Sender voreingestellt sein.

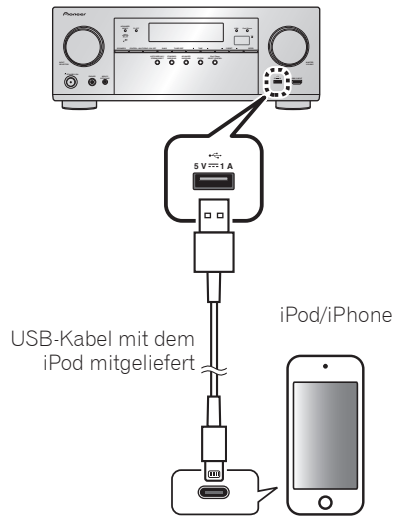
- Drücken Sie **PRESET +/-**, um den von Ihnen gewünschten voreingestellten Sender auszuwählen.

Abspielen eines iPod

- Etwa eine Minute ist zwischen Einschalten und Fertigstellen der Einrichtung erforderlich.

1 Schließen Sie Ihren iPod an.

Ein iPod/iPhone kann an den Receiver angeschlossen werden.



2 Drücken Sie iPod USB, um den iPod/USB-Eingang auszuwählen.

Sobald auf dem Display die Namen der Ordner und Dateien angezeigt werden, können Sie über den iPod Musik abspielen.

3 Mit ↑/↓ können Sie eine Kategorie auswählen. Drücken Sie anschließend ENTER, um diese Kategorie zu durchsuchen.

- Durch Drücken von **RETURN** können Sie jederzeit zur vorhergehenden Ebene gelangen.

4 Mit ↑/↓ können Sie die ausgewählte Kategorie durchsuchen (z. B. Alben).

- Mit ←/→ gelangen Sie zu den vorhergehenden/nächsten Ebenen.

5 Fahren Sie mit dem Durchsuchen fort, bis Sie die gewünschte Musik gefunden haben, und drücken Sie zum Wiedergeben ▶.

Internet-Radiosender hören

- Etwa eine Minute ist zwischen Einschalten und Fertigstellen der Einrichtung erforderlich.

📌 Wichtig

- Bei Verwendung einer Broadband-Internetverbindung müssen Sie einen Vertrag mit einem Internet-Provider haben. Für weitere Einzelheiten wenden Sie sich an Ihren Internet-Provider.
- Zum Hören von Internet-Radiosendern ist Highspeed-Broadband-Internetzugang erforderlich. Mit einem 56-K- oder ISDN-Modem können Sie möglicherweise die Vorteile von Internet-Radio nicht voll nutzen.
- Dienste von Drittanbietern können eine High-Speed-Internet-Verbindung sowie Ihre Registrierung voraussetzen und ggfs. Gebühren nach sich ziehen. Dienste von Drittanbietern können ohne Inkennzeichnung verändert, ausgesetzt, gestört oder beendet werden. Pioneer schließt jede Haftung in Verbindung mit solchen Ereignissen aus. Pioneer gibt keine Gewähr auf die Dauer der Aufrechterhaltung der Dienstleistungen von Drittanbietern und weist jede Art von Garantie hierauf von sich.

1 Drücken Sie NET wiederholt, um den INTERNET RADIO-Eingang zu wählen.

Es kann einige Sekunden dauern, bevor dieser Receiver auf das Netzwerk zugreift.

2 Verwenden Sie ↑/↓, um den Internet-Radiosender zur Wiedergabe zu wählen, und drücken dann ENTER.

Um die zahlreichen Funktionen des Geräts zum größten Umfang zu genießen

Starten Sie AVNavigator, und verwenden Sie die „Interactive Operation Guide“.

Legen Sie die CD-ROM in Ihren Computer, und laden Sie die „Bedienungsanleitung“ (PDF) zum Lesen vom Menübildschirm herunter.

Funktionen

- Abspielen eines USB-Geräts
- Musikwiedergabe über die Bluetooth-Drahtlostechnologie
- Wiedergabe mit NETWORK-Merkmal
- Einstellen der Audio-Optionen
- Einstellen der Video-Optionen
- Verwenden der MULTI-ZONE-Regler

Häufig gestellte Fragen

Glossar

Index der Merkmale

📌 Hinweis

- Dieses Gerät unterstützt AirPlay. Einzelheiten siehe „Verwenden von AirPlay auf iPod touch, iPhone, iPad und iTunes“ in der Bedienungsanleitung und der Apple-Website (<http://www.apple.com>).
- Die Software des Geräts kann aktualisiert werden („Software Update“ in der Bedienungsanleitung). Bei Mac OS kann sie mit Safari aktualisiert werden („Verwenden von Safari zum Aktualisieren der Firmware“ in der Bedienungsanleitung).

La riproduzione multicanale con questo ricevitore è ottenibile facilmente con tre operazioni:

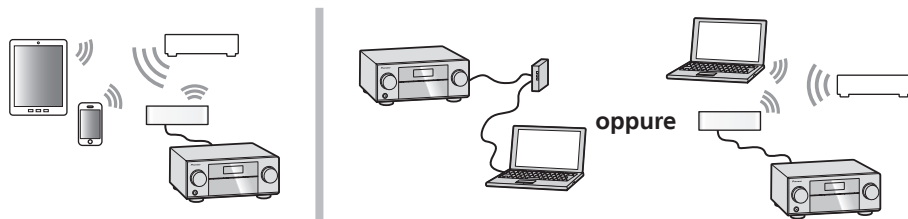
STEP 1 Collegamenti → **STEP 2** Impostazione iniziale → **STEP 3** Riproduzione di base.

La connessione e la configurazione iniziale possono essere eseguite facendo riferimento a questa Guida di avvio rapido, ma è più facile utilizzare **Wiring Navi** in AVNavigator.

Eseguire la connessione e la configurazione iniziale usando uno dei due metodi, a seconda delle circostanze in cui si utilizza AVNavigator. Inoltre, **Interactive Operation Guide** di AVNavigator spiega in modo chiaro le operazioni di base.

Collegamento ed impostazione iniziali

Collegamenti ed impostazione iniziali secondo le istruzioni date in "Wiring Navi" di AVNavigator.
(Il collegamento alla rete è necessario per l'impostazione iniziale.)



Non è necessario leggere questa guida per conoscere le spiegazioni;

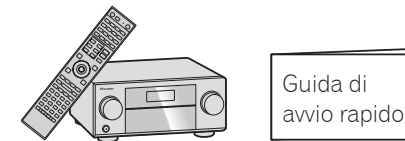
STEP 1 **STEP 2** sono spiegati in **Wiring Navi**.

Passare a "Uso dell'applicazione AVNavigator incorporata" in questa guida.

È possibile utilizzare **Interactive Operation Guide** in **STEP 3**.

I contenuti sono collegati in modo interattivo al prodotto, in modo da poterli ricordare mentre si leggono e utilizzare il prodotto in modo efficace mentre lo si conosce meglio.

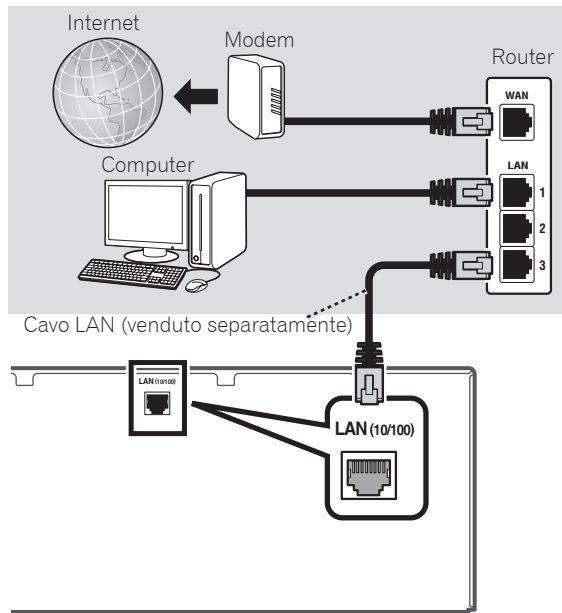
Collegamento ed impostazione iniziali consultando questa Guida di avvio rapido.



Passare a **STEP 1** di questa guida.

Uso dell'applicazione AVNavigator incorporata

Collegamento alla rete LAN via l'interfaccia LAN

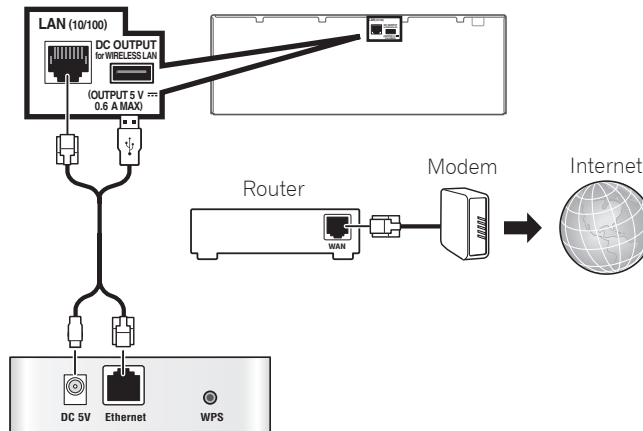


Cavo LAN (venduto separatamente)

Collegamento ad una LAN wireless

Il collegamento wireless alla rete è possibile attraverso attrezzature wireless. Per il collegamento, usare un AS-WL300 da acquistarsi separatamente.

- Usare solo il cavo di collegamento accessorio allegato.
- Certe impostazioni sono necessarie per fare uso di un convertitore LAN wireless (AS-WL300). Per istruzioni su come fare queste impostazioni, vedere le istruzioni per l'uso accluse al convertitore LAN wireless (AS-WL300).



Convertitore LAN wireless (AS-WL300)

Collegamento del ricevitore

Dopo aver stabilito la connessione a una rete LAN, collegare il cavo di alimentazione del ricevitore a una presa di corrente.

⚠ ATTENZIONE

- Maneggiare sempre il cavo di alimentazione dall'estremità dotata di spina. Non estrarre la spina tirando il cavo e non toccare mai il cavo di alimentazione con le mani bagnate, poiché potrebbe verificarsi un cortocircuito o scariche elettriche. Non posizionare l'unità, un mobile o un altro oggetto sopra al cavo di alimentazione né schiacciarlo in un altro modo. Non annodare mai il cavo né legarlo insieme ad altri cavi. Posare i cavi di alimentazione in modo da evitarne il calpestio. Un cavo di alimentazione danneggiato può causare incendi o scariche elettriche.

Controllare il cavo di alimentazione di tanto in tanto. Se fosse danneggiato, rivolgersi al più vicino centro di assistenza autorizzato Pioneer per la sostituzione.

- Non utilizzare un cavo di alimentazione diverso da quello in dotazione all'unità.
- Non utilizzare il cavo di alimentazione in dotazione per altri scopi, se non quello descritto di seguito.
- Il ricevitore deve essere scollegato estraendo la spina dalla presa elettrica quando non viene utilizzato, ad esempio durante una vacanza.
- Assicurarsi che la spia blu **STANDBY/ON** si sia spenta prima di scollegare il amplificatore.

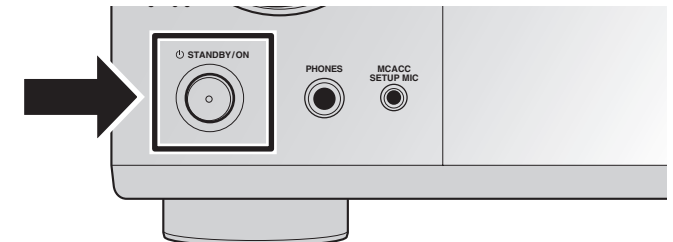
1 Collegare il cavo di alimentazione in dotazione alla presa AC IN nella parte posteriore del ricevitore.

2 Collegare l'altra estremità a una presa a muro.

Accensione

Premere **STANDBY/ON** per accendere il ricevitore e il computer.

Attendere alcuni minuti dopo l'accensione prima di effettuare l'operazione seguente.



Avvio dell'applicazione AVNavigator incorporata

Utilizzare AVNavigator seguendo le schermate del computer, ecc.

Ambiente operativo

- AVNavigator può essere utilizzato negli ambienti elencati di seguito
 - PC Windows: Microsoft® Windows® XP/Windows Vista®/Windows® 7/Windows® 8/Windows® 8.1
 - Mac OS: Mac OSX (10.7, 10.8 o 10.9)
 - iPad/iPhone/iPod touch: iOS 7
 - Dispositivi Android: Android 4.0.4
- Alcune funzioni di AVNavigator utilizzano un browser Internet. Sono supportati i seguenti browser:
 - PC Windows: Internet Explorer® 8, 9, 10, 11
 - Mac OS/iPad/iPhone/iPod touch: Safari 6.0
 - Dispositivi Android: browser Android
- Per utilizzare alcune funzioni di AVNavigator, è necessario installare la versione più aggiornata di Adobe® Flash® Player. Per i dettagli, visitare il seguente sito Web: <http://www.adobe.com/downloads/>
- A seconda della configurazione di rete del computer o delle impostazioni di sicurezza, AVNavigator potrebbe non funzionare.

PC Windows

- Avviare Internet Explorer e digitare l'indirizzo IP di questa unità nella barra degli indirizzi (in Internet Explorer, digitare "http://" seguito dall'indirizzo IP del ricevitore). È possibile visualizzare l'indirizzo IP dell'unità sul display premendo il tasto **STATUS** sul telecomando.
- Se il PC dispone di una versione di Windows diversa da Windows XP, è possibile avviare AVNavigator con il seguente metodo. Avviare Esplora risorse e fare clic con il pulsante destro del mouse su <VSX-924> nella cartella **'Network'**, quindi fare clic su **'View device webpage'**.

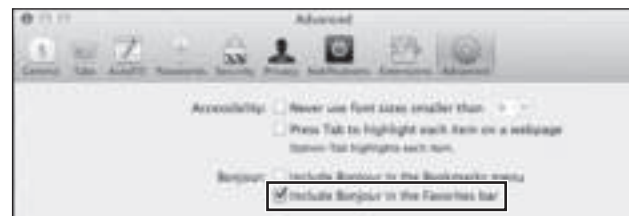


Mac

Avviare Safari e fare clic su <VSX-924> visualizzato in **'Bonjour'** nella barra dei segnalibri.



- Se **'Bonjour'** non è visualizzato, selezionare la casella di controllo **'Include Bonjour in the Favorites bar'** della scheda **'Advanced'** nel menu **'Preferences...'** di Safari.



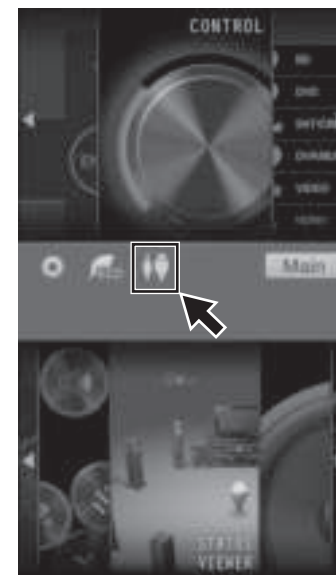
iPad/iPhone/iPod touch

Scaricare l'applicazione gratuita iControlAV5 dall'App Store. Dopo aver avviato iControlAV5, seguire le istruzioni visualizzate sullo schermo quindi, nella schermata Home, premere **'AVNavigator'** o l'icona.

iPad



iPhone/iPod touch

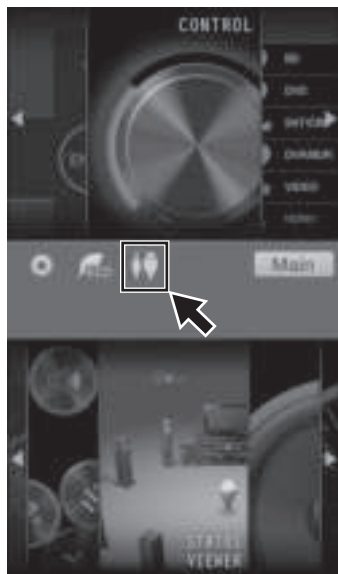


■ iPad

Su iPad, è possibile utilizzare AVNavigator per iPad. Scaricare AVNavigator per iPad da App Store. Dopo aver avviato AVNavigator per iPad, seguire le istruzioni a schermo.

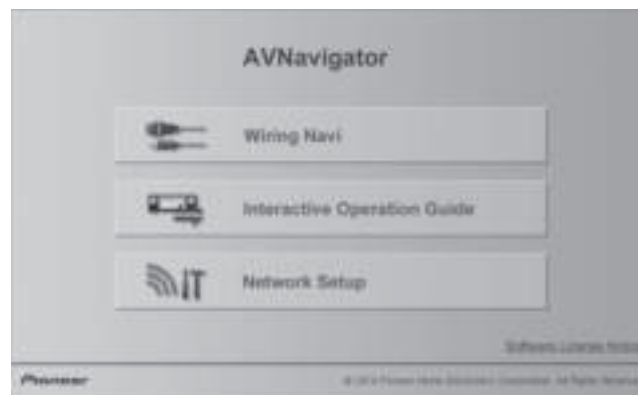
Dispositivo Android

Scaricare l'applicazione gratuita iControlAV5 da Google Play Store. Dopo aver avviato iControlAV5, seguire le istruzioni visualizzate sullo schermo quindi, nella schermata Home, premere l'icona.



Informazioni sull'uso di Wiring Navi

Wiring Navi viene avviato quando si preme 'Wiring Navi' nella schermata di AVNavigator.

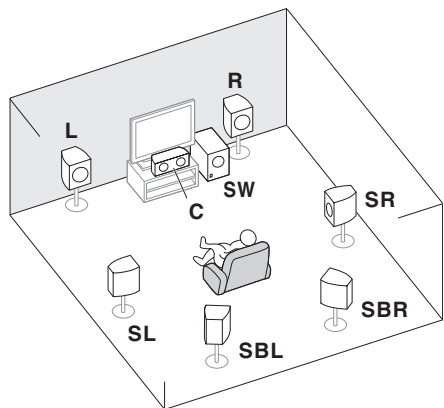


- Al termine della navigazione, andare al passo **STEP 3**.

STEP 1 Collegamenti

Collegamento dei diffusori

Il ricevitore funziona anche con solo due diffusori stereo (i diffusori anteriori del diagramma) ma si raccomanda l'uso di almeno cinque, e una dotazione completa è consigliabile per l'audio surround. Per ottenere un audio surround confortevole, installare i diffusori nel modo descritto di seguito. *Sistema surround a 7.1 canali:*



- L – Anteriore sinistro
- C – Centrale
- R – Anteriore destro
- SL – Surround sinistro
- SR – Surround destro
- SBL – Surround posteriore sinistro
- SBR – Surround posteriore destro
- SW – Subwoofer

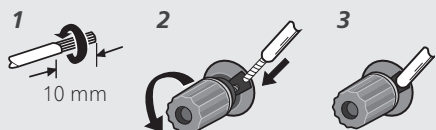
Nota

- Esistono altri tipi di collegamento dei diffusori (anteriori di altezza, anteriori di ampiezza, ecc.). Per i dettagli, vedere "Collegamento dell'apparecchio" nelle istruzioni per l'uso.

Collegamento dei cavi dei diffusori

Verificare di collegare il diffusore sulla destra al terminale di destra (R) ed il sinistro al terminale di sinistra (L). Controllare anche che i terminali positivo e negativo (+/-) del ricevitore corrispondano a quelli dei diffusori.

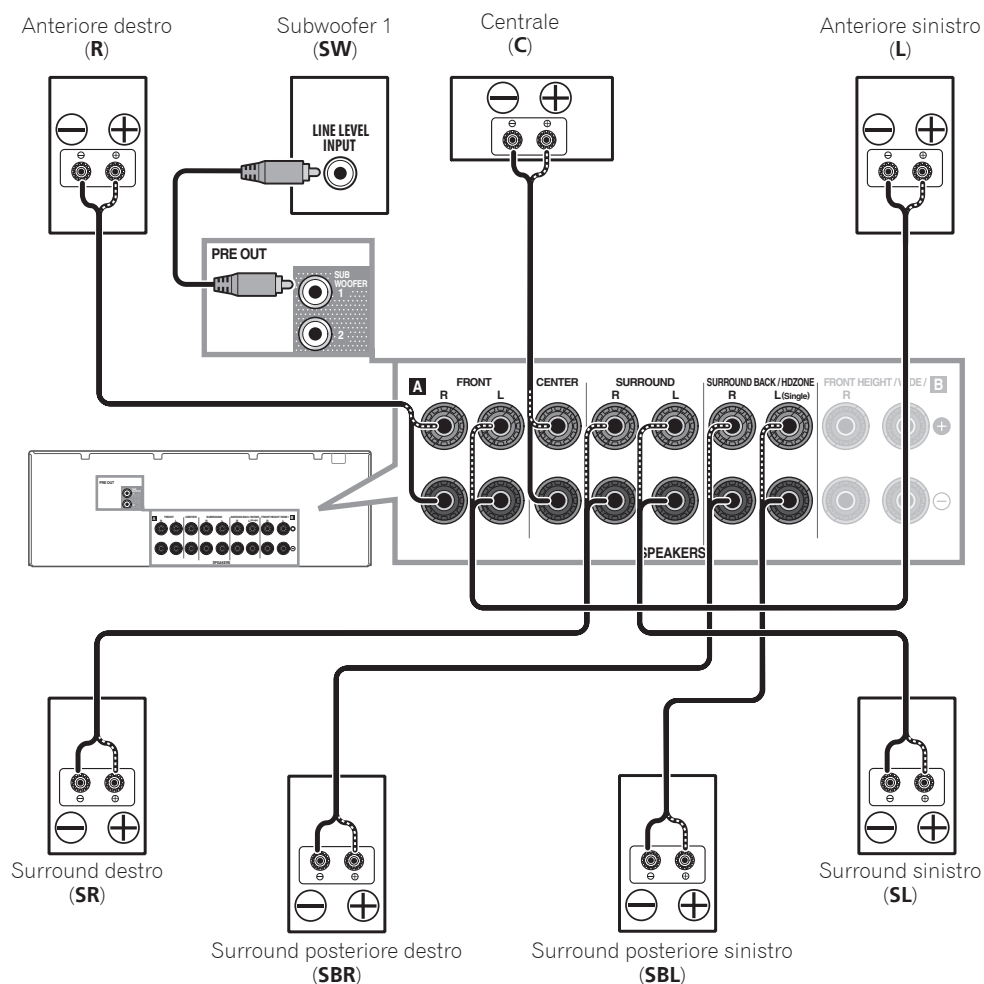
- Attorcigliare fra loro i fili esposti.
- Allentare il terminale ed inserire il filo denudato.
- Stringere il terminale.



ATTENZIONE

- Prima di effettuare o modificare i collegamenti, disattivare l'alimentazione e scollegare il cavo di alimentazione dalla presa a muro.
- Questi terminali contengono voltaggi **PERICOLOSI**. Per evitare il rischio di folgorazioni nel collegare o scollegare i cavi dei diffusori, scollegare il cavo di alimentazione prima di toccare parti non isolate.

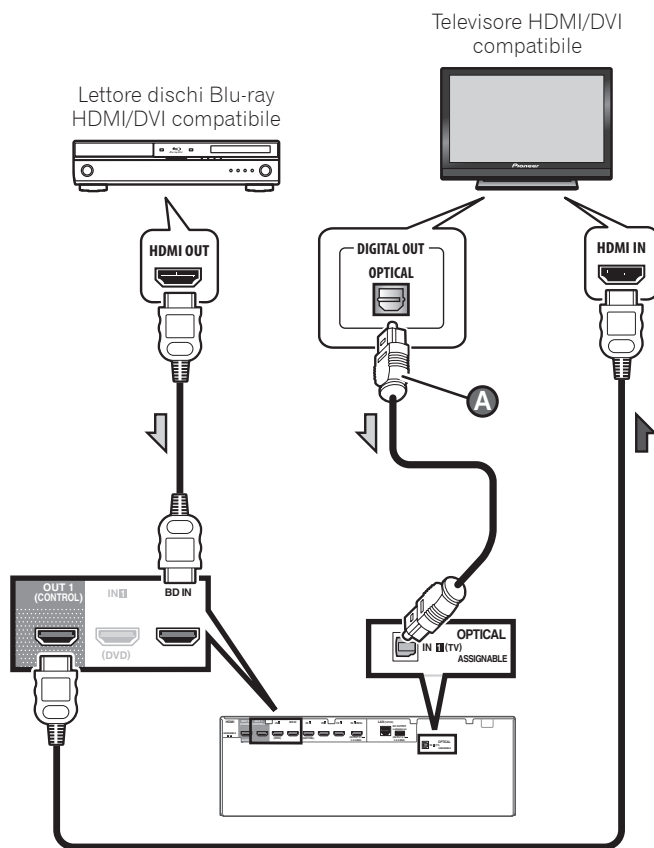
Installati i diffusori, collegarli nel modo visto in figura.



Nota

- Se si usa un solo diffusore surround posteriore, collegarlo ai terminali **SURROUND BACK L (Single)**.
- Questa unità supporta diffusori con impedenza nominale da 6 Ω a 16 Ω.

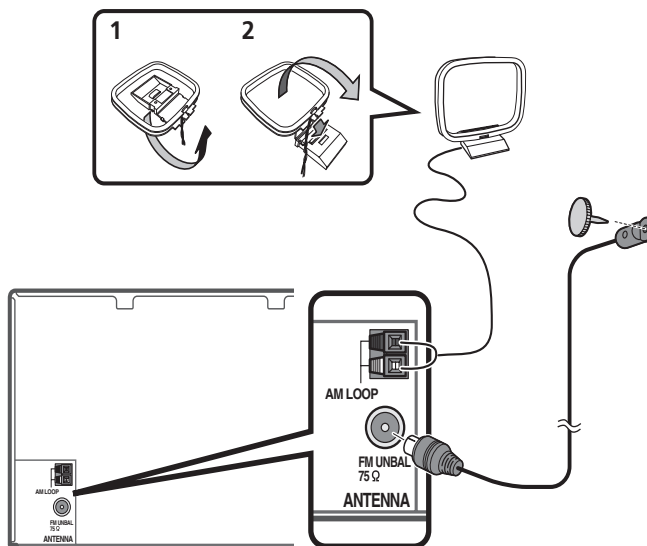
Collegamento di un televisore e componenti di riproduzione



- Se il televisore non supporta la funzione HDMI Audio Return Channel, l'ascolto dell'audio del televisore via il ricevitore richiede il collegamento via cavo digitale a fibre ottiche (A).
- Se il televisore supporta la funzione HDMI Audio Return Channel, l'audio del televisore arriva al ricevitore via terminale HDMI, ed il cavo digitale a fibre ottiche non è necessario (A). In tal caso, regolare **ARC in HDMI Setup** su **ON**. Per i dettagli, vedere "HDMI Setup" nelle istruzioni per l'uso.
- Per istruzioni sui collegamenti e le impostazioni del televisore, consultare il manuale d'uso del televisore.
- Con le impostazioni di fabbrica, il video proveniente dal cavo video o dal cavo component non viene emesso

dal terminale HDMI. Per emettere il video, è necessario commutare l'ingresso video sul dispositivo collegato con il cavo video o il cavo component e impostare **V.CONV** su **ON**. Per i dettagli, vedere "Impostazione delle opzioni Video" nelle istruzioni per l'uso.

Collegamento delle antenne



Nota

- Consultare le istruzioni per l'uso incluse nel CD-ROM per collegarsi ad un televisore o componente di riproduzione con metodi diversi da HDMI.
- Per il collegamento di altri dispositivi, consultare le istruzioni per l'uso incluse nel CD-ROM.

Collegamento del ricevitore

Collegare il ricevitore solo dopo avere collegato tutti i componenti, compresi gli diffusori.

ATTENZIONE

- Maneggiare sempre il cavo di alimentazione dall'estremità dotata di spina. Non estrarre la spina tirando il cavo e non toccare mai il cavo di alimentazione con le mani bagnate,

poiché potrebbe verificarsi un cortocircuito o scariche elettriche. Non posizionare l'unità, un mobile o un altro oggetto sopra al cavo di alimentazione né schiacciarlo in un altro modo. Non annodare mai il cavo né legarlo insieme ad altri cavi. Posare i cavi di alimentazione in modo da evitarne il calpestio. Un cavo di alimentazione danneggiato può causare incendi o scariche elettriche. Controllare il cavo di alimentazione di tanto in tanto. Se fosse danneggiato, rivolgersi al più vicino centro di assistenza autorizzato Pioneer per la sostituzione.

- Non utilizzare un cavo di alimentazione diverso da quello in dotazione all'unità.
- Non utilizzare il cavo di alimentazione in dotazione per altri scopi, se non quello descritto di seguito.
- Il ricevitore deve essere scollegato estraendo la spina dalla presa elettrica quando non viene utilizzato, ad esempio durante una vacanza.
- Assicurarsi che la spia blu **STANDBY/ON** si sia spenta prima di scollegare il amplificatore.

1 Collegare il cavo di alimentazione in dotazione alla presa AC IN nella parte posteriore del ricevitore.

2 Collegare l'altra estremità a una presa a muro.

AVVERTENZA PER LA VENTILAZIONE

Installare l'apparecchio avendo cura di lasciare un certo spazio all'intorno dello stesso per consentire una adeguata circolazione dell'aria e migliorare la dispersione del calore (almeno 40 cm sulla parte superiore, 10 cm sul retro, e 20 cm su ciascuno dei lati).

ATTENZIONE

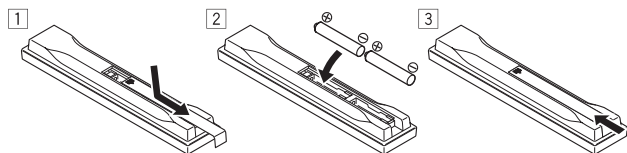
L'apparecchio è dotato di un certo numero di fessure e di aperture per la ventilazione, allo scopo di garantirne un funzionamento affidabile, e per proteggerlo dal surriscaldamento. Per prevenire possibili pericoli di incendi le aperture non devono mai venire bloccate o coperte con oggetti vari (quali giornali, tovaglie, tende o tendaggi, ecc.), e l'apparecchio non deve essere utilizzato appoggiandolo su tappeti spessi o sul letto.

D3-4-2-1-7b*_A1_it

STEP 2 Impostazione iniziale

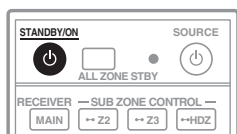
Prima di iniziare

1 Mettere le batterie nel telecomando.



Le batterie accluse a questa unità servono per controllarne il funzionamento; esse possono però non durare a lungo. Raccomandiamo l'uso di batterie alcaline, che hanno una durata superiore.

2 Accendere il ricevitore e il televisore.



3 Cambiare l'ingresso del televisore in modo che si colleghi al ricevitore.

4 Accendere il subwoofer ed aumentare il volume.

⚠ ATTENZIONE

- Non usare o conservare batterie in luce solare diretta o in altri luoghi eccessivamente caldi, ad esempio in un'automobile o vicino ad una sorgente di calore. Questo potrebbe causare perdite di acido, farle surriscaldare esplodere o prendere fuoco. Può anche ridurne la durata o le prestazioni.

⚠ ATTENZIONE

- Nell'inserire le batterie, fare attenzione a non danneggiare le molle del loro terminale (-). Questo potrebbe causare perdite o surriscaldamenti delle batterie.
- Quando si smaltiscono le batterie esauste, si raccomanda di rispettare la normativa vigente o le regole degli enti pubblici in materia di ambiente applicabili alla propria nazione/regione.

Impostazione automatica dell'audio surround (MCACC)

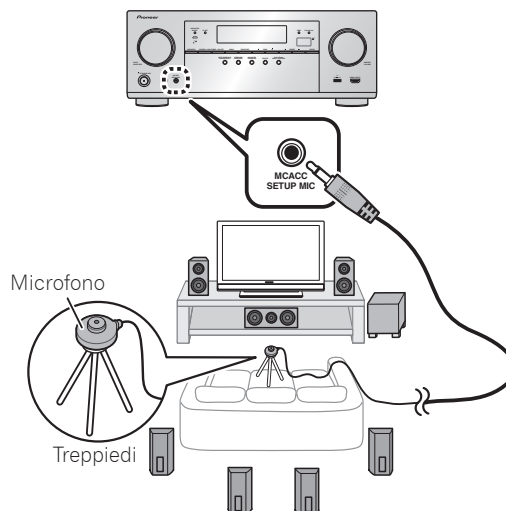
L'impostazione Auto Multi-Channel ACoustic Calibration (MCACC) usa il microfono di impostazione allegato per

misurare ed analizzare il tono di prova emesso dai diffusori. Questa impostazione permette la misurazione e le impostazioni automatiche di alta precisione; facendone uso sarà possibile creare un ambiente di ascolto ottimale per l'utente.

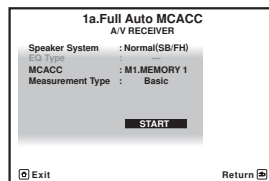
📌 Importante

- Fare la misurazione in un ambiente tranquillo.
- Se è disponibile un treppiedi, utilizzarlo per posizionare il microfono in modo che sia all'altezza delle orecchie rispetto alla normale posizione di ascolto. Altrimenti, porre il microfono ad altezza degli orecchi usando un tavolo o una sedia.
- La misurazione accurata potrebbe non essere possibile se fra i diffusori e la posizione di ascolto (microfono) ci sono ostacoli.
- Durante la misurazione, allontanarsi dalla posizione di ascolto ed usare il telecomando stando al di fuori del cerchio dei diffusori.

1 Collegare il microfono di impostazione in dotazione.



La schermata **Full Auto MCACC** appare sul televisore.



2 Per prima cosa premere MAIN RECEIVER sul telecomando.

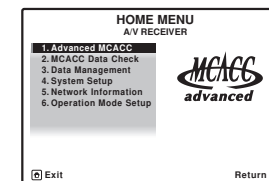
- Quando il cursore viene posizionato su **Measurement Type** ed è selezionato **Basic**, vengono configurate le impostazioni **Speaker Setting/Channel Level/Speaker Distance**. Selezionando **Expert** è possibile inoltre configurare automaticamente **Standing Wave/Acoustic Cal EQ** (caratteristiche della frequenza).

3 Posizionare il cursore su START e premere il pulsante ENTER.

- La misurazione automatica ha inizio.
- La misurazione richiede da 3 a 12 minuti.

4 Seguire le istruzioni sullo schermo.

- L'impostazione automatica è completa se la schermata Home Menu riappare.



- Se **Reverse Phase** appare, i cablaggi dei diffusori (+ e -) potrebbero essere invertiti. Controllare i collegamenti dei diffusori.

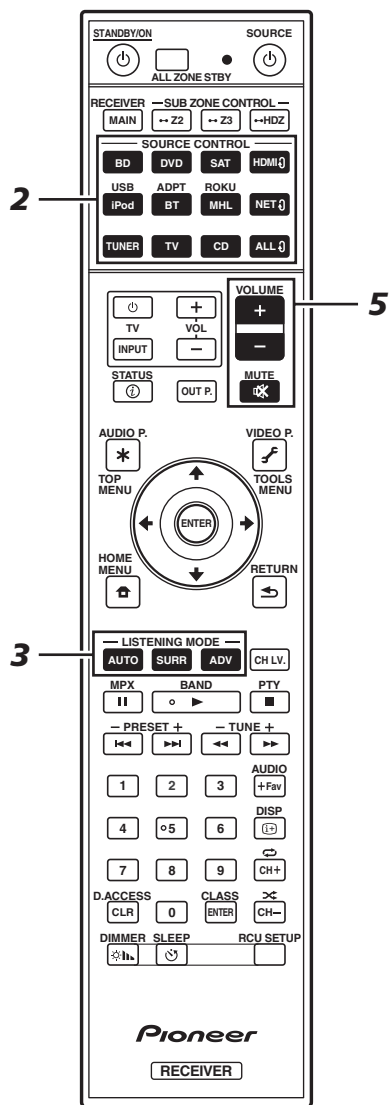
Anche se i collegamenti sono corretti, **Reverse Phase** potrebbe venire visualizzato a seconda dei diffusori usati e dell'ambiente circostante. Questo però non influenza le misurazioni e si può scegliere **Go Next**.

- Se l'alimentazione viene interrotta, è possibile che il filo centrale del cavo del diffusore sia a contatto con il pannello posteriore o che i fili (+) e (-) siano a contatto tra di essi, causando l'attivazione dei circuiti di protezione. Riavvolgere il filo centrale del cavo del diffusore e collegarlo in modo che non fuoriesca dal terminale del diffusore.

5 Controllare che il microfono di impostazione sia collegato.

STEP 3 Riproduzione di base

Riproduzione multicanale



1 Attivare il componente di riproduzione.

Ad es.) Accendere il lettore Blu-ray Disc collegato al terminale **HDMI BD IN**.

2 Cambiare l'ingresso del ricevitore.

Ad es.) Premere **BD** per scegliere l'ingresso **BD**.

3 Premere **AUTO** per scegliere 'AUTO SURROUND'.

Per la riproduzione multicanale, premere **SURR** o **ADV**. Scegliere la modalità di ascolto preferita.

4 Avviare la riproduzione del componente desiderato.

Ad es.) Avviare la riproduzione del lettore di dischi Blu-ray Disc.

5 Utilizzare **VOLUME +/-** per regolare il livello del volume.

• Se i diffusori centrale e posteriore non emettono alcun suono, premere **SURR** o **ADV** per cambiare la modalità di ascolto.

ad esempio, premere **ADV** varie volte per selezionare **EXT. STEREO**.

• Se il subwoofer non emette alcun suono

Causa: il diffusore frontale è impostato su LARGE.

Se l'audio in ingresso è a 2 canali, il componente delle frequenze basse non viene emesso dal subwoofer, ma dal diffusore frontale.

Soluzione: per emettere l'audio dal subwoofer, cambiare l'impostazione del diffusore.

Metodo 1: cambiare l'impostazione del diffusore su **SMALL**.

Il componente delle frequenze basse non viene emesso dal diffusore frontale, ma dal subwoofer. Se la riproduzione delle frequenze basse del diffusore frontale è alta, si consiglia di non cambiare l'impostazione.

Metodo 2: cambiare l'impostazione del diffusore su **PLUS**.

Il componente delle frequenze basse viene emesso dal diffusore frontale e dal subwoofer. Per questo motivo, i suoni bassi a volte sono troppo forti. In questo caso, si consiglia di non apportare modifiche o di utilizzare il Metodo 1.

- Per i dettagli, vedere "Impostazione dei diffusori" nelle istruzioni per l'uso.
- Se non viene emesso alcun suono, aumentare il volume fino a circa -30 dB.

Nota

- Se non è possibile utilizzare il telecomando per controllare l'unità
- Quando si utilizza il ricevitore, premere **MAIN RECEIVER** prima di utilizzarlo.
- Se si utilizzano funzioni come rete, TUNER o iPod, premere il tasto funzione appropriato (**NET**, **TUNER**, **iPod** ecc.) prima dell'uso.

Ascolto della radio

1 Per selezionare il sintonizzatore, premere **TUNER**.

Se necessario, premere **BAND** per cambiar banda (FM o AM).

2 Premere **TUNE +/-** per mettere in sintonia una stazione.

- Tenere premuto **TUNE +/-** per circa un secondo. Il ricevitore inizia a cercare la stazione successiva.
- Se si ascolta una stazione in FM ma la ricezione è scadente, premere **MPX** per scegliere FM MONO e impostare la modalità di ricezione mono del ricevitore.

Salvataggio delle stazioni preselezionate

Se si ascolta spesso una particolare stazione radio, è utile memorizzarne la frequenza per richiamarla facilmente ogni volta che si desidera ascoltarla.

1 Premere **TOOLS** durante la ricezione di un segnale dalla stazione da memorizzare.

Il numero di preselezione lampeggia.

2 Per scegliere la stazione preselezionata desiderata, premere **PRESET +/-**, poi **ENTER**.

Il numero di preselezione smette di lampeggiare ed il ricevitore memorizza la stazione.

Ascolto delle stazioni preselezionate

Questa operazione richiede la presenza di stazioni preselezionate.

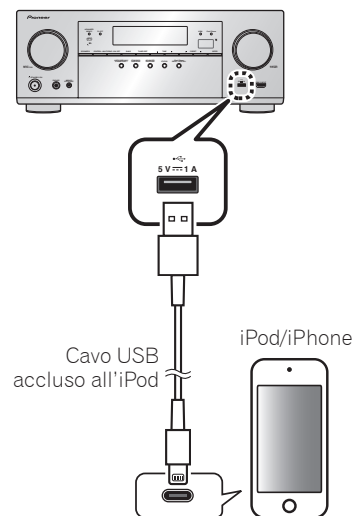
- Per scegliere la stazione preselezionata desiderata, premere **PRESET +/-**.

Riproduzione con un iPod

- Fra l'accensione ed il completarsi dell'avvio passa circa un minuto.

1 Collegare l'iPod.

Al ricevitore può essere collegato un iPod/iPhone.



2 Premere iPod USB per scegliere l'iPod/USB.

Quando sul display verrà visualizzato il nome di cartelle e file, sarà possibile procedere alla riproduzione di musica dall'iPod.

3 Per selezionare una categoria, utilizzare ↑/↓, quindi premere ENTER per visualizzare il contenuto della categoria.

- Per tornare in qualsiasi momento al livello precedente, premere **RETURN**.

4 Per visualizzare il contenuto della categoria selezionata (ad esempio gli album), utilizzare ↑/↓.

- Per spostarsi ai livelli precedenti o successivi, utilizzare ←/→.

5 Continuare la ricerca finché non si raggiunge il brano che si desidera ascoltare, quindi premere ► per avviare la riproduzione.

Ascolto di stazioni radio da Internet

- Fra l'accensione ed il completarsi dell'avvio passa circa un minuto.

📌 Importante

- Se si usa una connessione Internet a banda larga, è necessario un contratto con un Internet provider. Per dettagli, entrare in contatto con l'Internet provider più vicino.
- L'ascolto di stazioni radio da Internet richiede l'uso di connessioni Internet a banda larga. Un modem da 56 K o ISDN può non essere sufficiente a permettere l'ascolto di stazione radio da Internet.
- L'accesso a contenuti di terze parti richiede una connessione a Internet di alta velocità e a volta anche un account ed un abbonamento a pagamento. La fornitura di contenuto di terze parti può venire cambiata, sospesa, interrotta o smessa in qualsiasi momento senza preavviso, senza che per questo Pioneer debba sostenerne la responsabilità. Pioneer non afferma o garantisce che la fornitura di contenuti continui o sia disponibile per un particolare lasso di tempo, e qualsiasi garanzia del genere, espressa o implicita, viene negata.

1 Premere NET più volte per scegliere l'ingresso INTERNET RADIO.

Il ricevitore può richiedere qualche secondo per avere accesso alla rete.

2 Usare ↑/↓ per scegliere la stazione radio da Internet da riprodurre e poi premere ENTER.

Per godere al massimo delle molte funzioni di questa unità

▼ Avviare AVNavigator e utilizzare "Interactive Operation Guide".

▼ Inserire il CD-ROM nel lettore del computer e scaricare il file "Istruzioni per l'uso" (PDF) dalla schermata del menu.

Funzioni

- Riproduzione con un dispositivo USB
- Riproduzione musicale con la tecnologia wireless Bluetooth
- Riproduzione via RETE
- Impostazione delle opzioni audio
- Impostazione delle opzioni Video
- Uso dei controlli MULTI-ZONE

FAQ

Glossario

Indice delle caratteristiche

📌 Nota

- Questa unità supporta AirPlay. Per i dettagli, vedere "Uso di AirPlay con iPod touch, iPhone, iPad e iTunes" nelle istruzioni per l'uso e il sito Web di Apple (<http://www.apple.com>).
- Il software di questa unità può essere aggiornato ("Aggiornamento del software" nelle istruzioni per l'uso). In Mac OS, è aggiornabile mediante Safari ("Aggiornamento del firmware con Safari" nelle istruzioni per l'uso).

Nederlands

Geniet van meerkanaals weergave met dit apparaat in 3 gemakkelijke stappen:

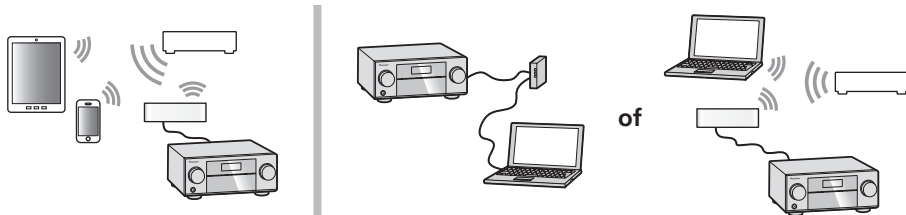
STEP 1 Aansluitingen → **STEP 2 Eerste instellingen** → **STEP 3 Basisbediening voor afspelen**.

U kunt de aansluitingen en de eerste instellingen uitvoeren aan de hand van deze Snelstartgids, maar dit wordt nog gemakkelijker als u de **Wiring Navi** in AVNavigator gebruikt.

U kunt zelf kiezen welke methode u gebruikt voor de aansluitingen en de eerste instellingen, afhankelijk hoe u AVNavigator gebruikt. In AVNavigator kunt u bovendien de **Interactive Operation Guide** gebruiken om eenvoudig de basisbediening te leren.

Aansluitingen en eerste instellingen

Aansluitingen en eerste instellingen volgend op de instructies in de "Wiring Navi" in AVNavigator
(Aansluiting op het netwerk is vereist voor de eerste instellingen.)



U hoeft deze gids niet voor uitleg te lezen;

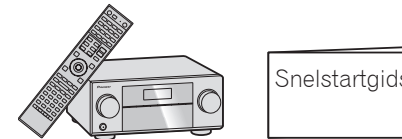
STEP 1 **STEP 2** worden uitgelegd in de **Wiring Navi**.

Ga verder naar "De ingebouwde AVNavigator gebruiken" in deze gids.

U kunt de **Interactive Operation Guide** gebruiken in **STEP 3**.

De inhoud is interactief aan het product gekoppeld, zodat u het product zelf kunt gebruiken tijdens het lezen en al doende kunt leren.

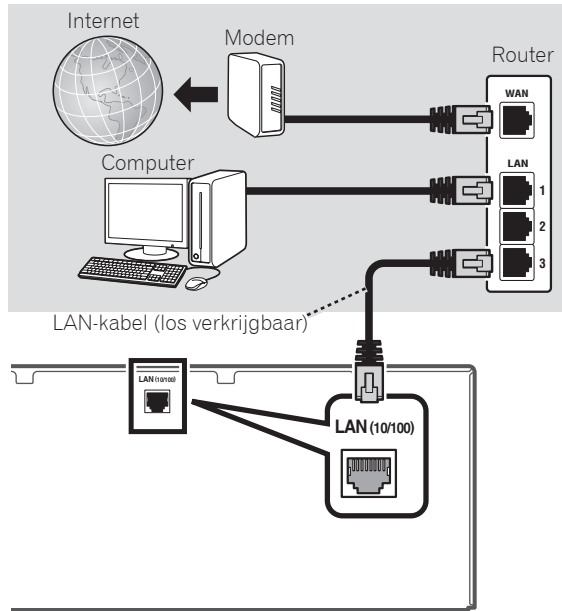
Aansluitingen en eerste instellingen aan de hand van deze snelstartgids



Ga door naar **STEP 1** in deze gids.

De ingebouwde AVNavigator gebruiken

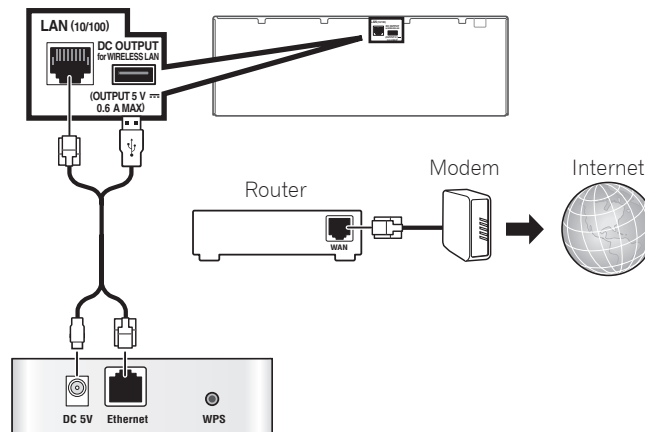
Aansluiten op het netwerk via de LAN-interface



Verbinden met een draadloos LAN

Via een draadloze LAN-verbinding is het mogelijk het toestel zonder bedrading aan te sluiten op een netwerk. Gebruik de los verkrijgbare AS-WL300 voor een dergelijke verbinding.

- Gebruik alleen de bijgeleverde aansluitkabel.
- Er zijn bepaalde instellingen vereist voor gebruik van een draadloze LAN-adapter (AS-WL300). Zie de handleiding die bij de draadloze LAN-adapter (AS-WL300) wordt geleverd voor aanwijzingen betreffende het maken van deze instellingen.



Draadloze LAN-adapter (AS-WL300)

De receiver aansluiten op het stopcontact

Nadat u de receiver op het LAN hebt aangesloten, steekt u de stekker van het netsnoer in het stopcontact.

⚠ WAARSCHUWING

- Houd het netsnoer bij de stekker vast. Trek de stekker niet uit het stopcontact door aan het snoer te trekken en raak het netsnoer nooit met natte handen aan. Dit kan kortsluiting of een elektrische schok tot gevolg hebben. Zorg ervoor dat u dit apparaat, een meubel of een ander voorwerp niet op het netsnoer plaatst en dat het netsnoer niet op een andere manier wordt afgekneld. Maak geen

knopen in het netsnoer en bind het niet samen met andere kabels. Leid de netsnoeren zodanig dat de kans klein is dat iemand erop gaat staan. Een beschadigd netsnoer kan brand of een elektrische schok veroorzaken. Controleer de staat van het netsnoer regelmatig. Als u een beschadiging vaststelt, neemt u contact op met een onafhankelijke, door Pioneer erkende onderhoudsdienst voor een nieuw netsnoer.

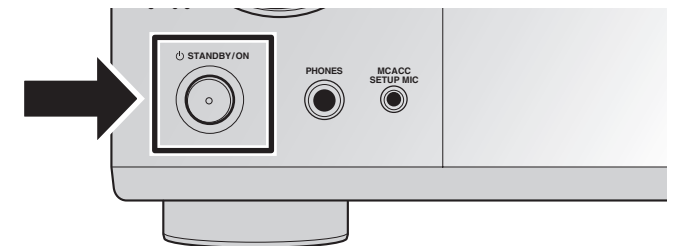
- Gebruik uitsluitend het bij dit apparaat geleverde netsnoer.
- Gebruik het geleverde netsnoer niet voor andere doeleinden dan hieronder beschreven.
- Haal de stekker van dit apparaat uit het stopcontact wanneer u het langere tijd niet gebruikt, bijvoorbeeld wanneer u op vakantie gaat.
- Controleer of het blauwe **STANDBY/ON**-lampje uit is voordat u de stekker uit het stopcontact haalt.

- 1 Sluit het geleverde netsnoer aan op de AC IN-aansluiting aan de achterkant van de receiver.**
- 2 Steek het andere einde in het stopcontact.**

Inschakelen

Druk op **STANDBY/ON** om de receiver en de computer aan te zetten.

Wacht na het inschakelen enkele minuten voordat u verdergaat met de volgende handelingen.



De ingebouwde AVNavigator starten

U bedient AVNavigator volgens de schermaanwijzingen op uw computer of apparaat.

Gebruiksomgeving

- AVNavigator is beschikbaar op de volgende systemen.
 - Windows-PC: Microsoft® Windows® XP/Windows Vista®/Windows® 7/Windows® 8/Windows® 8.1
 - Mac OS: Mac OSX (10.7, 10.8 of 10.9)
 - iPad/iPhone/iPod touch: iOS 7
 - Android-apparaat: Android 4.0.4
- Voor sommige functies van AVNavigator is een browser vereist. De volgende browsers worden ondersteund:
 - Windows-PC: Internet Explorer® 8, 9, 10, 11
 - Mac OS/iPad/iPhone/iPod touch: Safari 6.0
 - Android-apparaat: Android-browser
- Voor bepaalde functies van AVNavigator moet de laatste versie van Adobe® Flash® Player geïnstalleerd zijn. Bezoek de volgende website voor details.
<http://www.adobe.com/downloads/>
- Het is mogelijk dat AVNavigator niet werkt afhankelijk van netwerk- of veiligheidsinstellingen op de computer.

Gebruik op een Windows-pc

- Start Internet Explorer en voer in het adresveld ervan het IP-adres van dit toestel in. (Typ "http://(het IP-adres van de receiver)".) U vindt het IP-adres van de receiver op het display op het voorpaneel als u op de afstandsbediening op **STATUS** drukt.
- Op een Windows-pc met een ander systeem dan Windows XP kunt u AVNavigator als volgt starten. Start Explorer en klik met de rechtermuisknop op <VSX-924> in de map '**Network**'. Klik vervolgens op '**View device webpage**'.



Gebruik op een Mac

Start Safari en klik op <VSX-924> in '**Bonjour**' op de bladwijzerbalk.



- Als '**Bonjour**' niet wordt weergegeven, selecteert u het vakje '**Include Bonjour in the Favorites bar**' in het tabblad '**Advanced**' in het menu '**Preferences...**' van Safari.



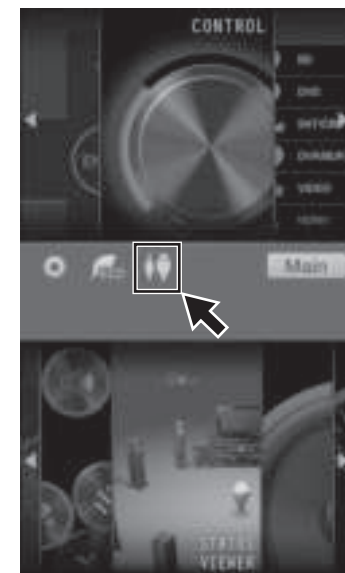
Gebruik op een iPad/iPhone/iPod touch

Download de gratis applicatie iControlAV5 van de App Store. Start iControlAV5 en volg de instructies op het scherm. Druk daarna op het beginscherf op '**AVNavigator**' of op het pictogram.

iPad



iPhone/iPod touch

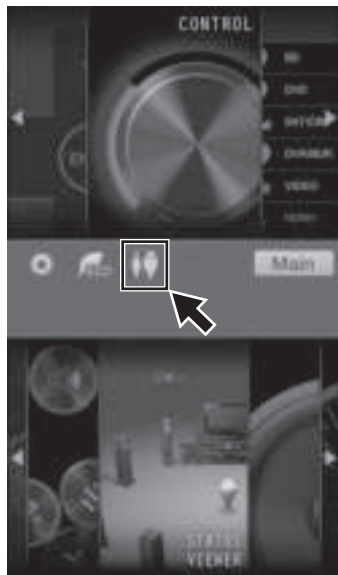


■ Gebruik van een iPad

Op een iPad kunt u AVNavigator voor iPad gebruiken. Download AVNavigator voor iPad van de App Store. Start AVNavigator voor iPad en volg de instructies op het scherm.

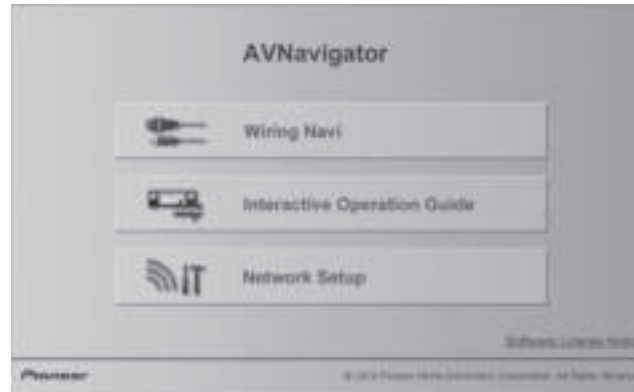
Gebruik op een Android-apparaat

Download de gratis applicatie iControlAV5 van de Google Play Store. Start iControlAV5 en volg de instructies op het scherm. Druk daarna op het beginscherm op het pictogram.



Informatie over Wiring Navi

U start Wiring Navi door te drukken op 'Wiring Navi' op het scherm van AVNavigator.

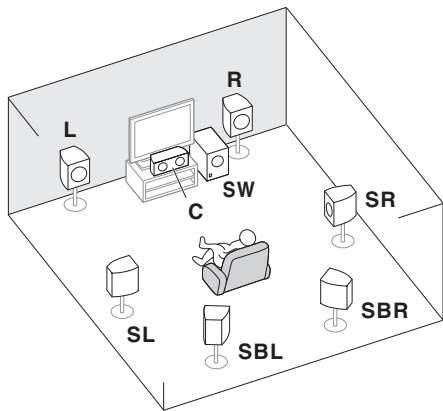


- Wanneer de begeleiding voor de aansluitingen is voltooid, gaat u verder naar **STEP 3**.

STEP 1 Aansluitingen

De luidsprekers aansluiten

Deze receiver werkt met slechts twee stereo luidsprekers (de voorluidsprekers in de afbeelding), maar gebruik van minimaal vijf luidsprekers is aanbevolen en een volledige luidsprekeruitrusting is optimaal voor surroundgeluid. Om een fraai surroundgeluid te verkrijgen, plaatst u de luidsprekers zoals hieronder is aangegeven. *7.2-kanals surroundsysteem:*

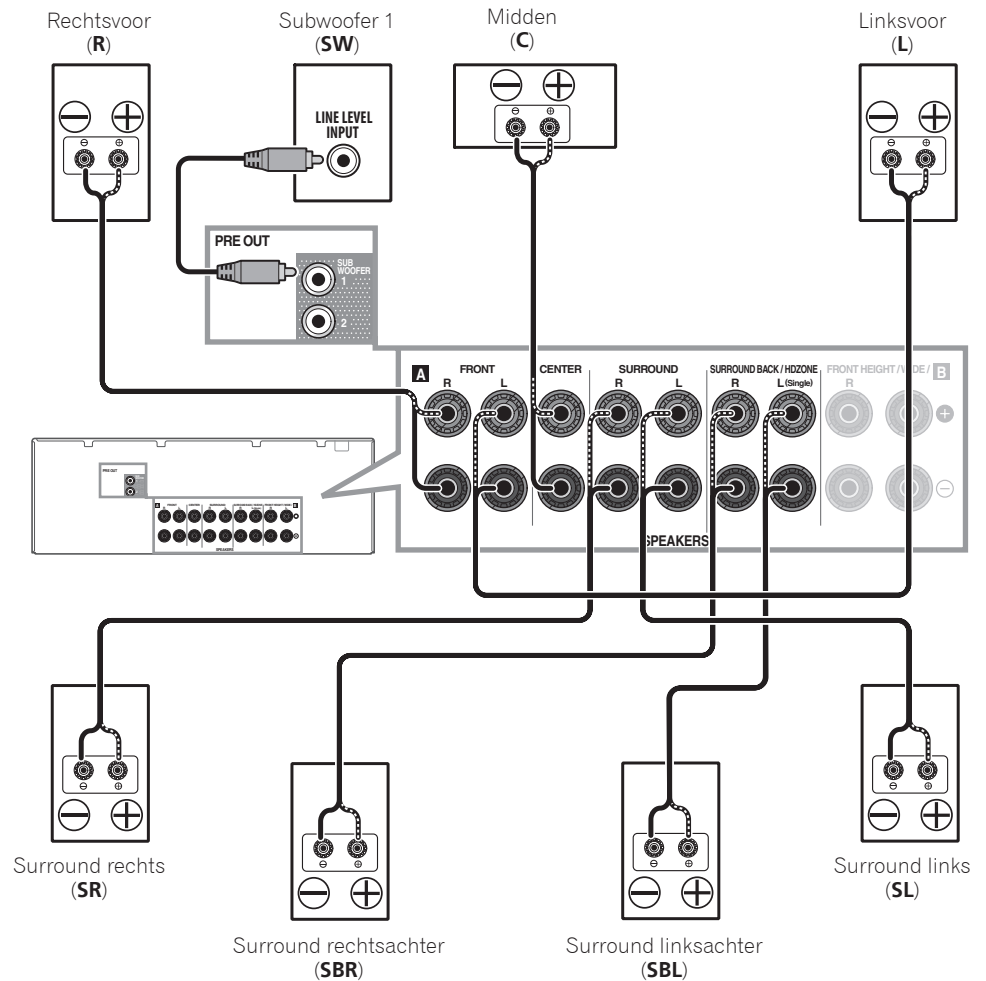


- L – Linksvoor
- C – Midden
- R – Rechtsvoor
- SL – Surround links
- SR – Surround rechts
- SBL – Surround linksachter
- SBR – Surround rechtsachter
- SW – Subwoofer

Opmerking

- Er zijn ook nog andere luidspreker-aansluitpatronen (hoog-voor, breed-voor enz.). Zie "De apparatuur aansluiten" van de handleiding voor details.

Nadat de luidsprekers zijn opgesteld, sluit u deze aan zoals hieronder is aangegeven.



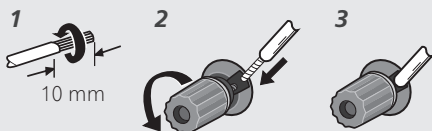
Opmerking

- Bij gebruik van slechts één surround-achterluidspreker sluit u deze op de **SURROUND BACK L (Single)** aansluitingen aan.
- Dit apparaat is geschikt voor luidsprekers met een nominale impedantie van 6 Ω tot 16 Ω.

De luidsprekerkabels aansluiten

Sluit de luidspreker aan de rechterkant op de rechterkanaal (**R**) aansluitingen aan en de luidspreker aan de linkerkant op de linkerkanaal (**L**) aansluitingen. Zorg dat de positieve en negatieve (+/-) aansluitingen op de receiver zijn verbonden met de corresponderende aansluitingen op de luidsprekers.

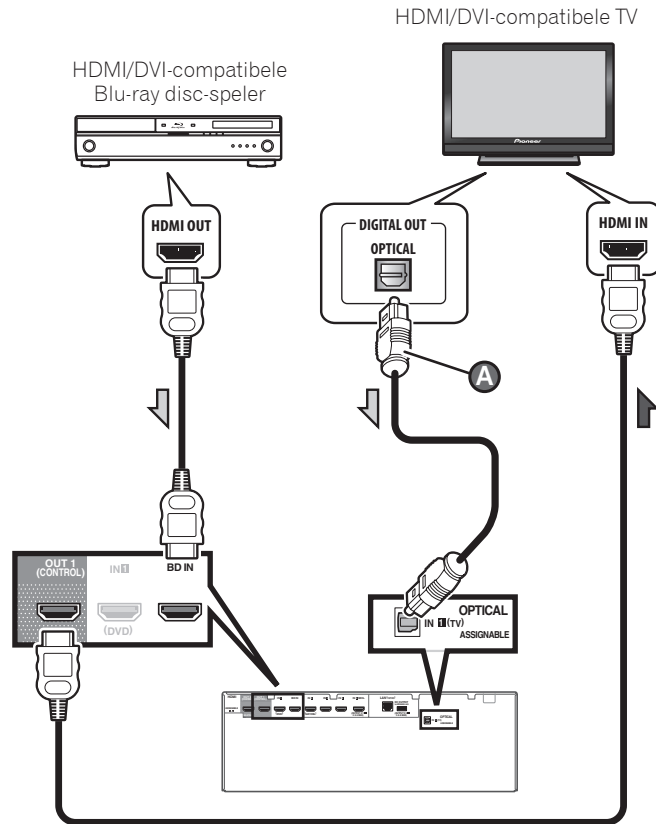
- 1 Draai de losse kerndraadjes in elkaar.
- 2 Draai de aansluitschroef los en steek de kerndraad naar binnen.
- 3 Draai de aansluitschroef weer vast.



WAARSCHUWING

- Voordat u aansluitingen maakt of wijzigt, zet u het apparaat uit en haalt u de stekker van het netsnoer uit het stopcontact.
- Deze luidspreker aansluitingen hebben een **GEVAARLIJKE** spanning. Om een elektrische schok te voorkomen bij het aansluiten of losmaken van de luidsprekerkabels, moet u het netsnoer losmaken voordat u eventuele niet-geïsoleerde onderdelen aanraakt.

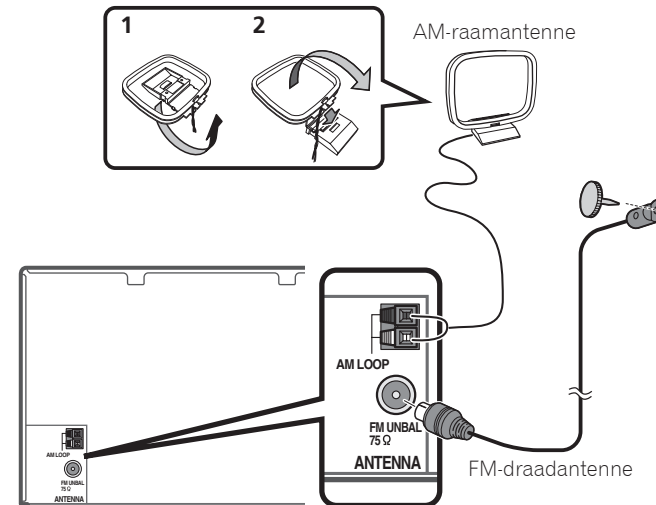
Een TV en weergave-apparatuur aansluiten



- Als de TV de HDMI Audio Return Channel-functie niet ondersteunt, is de aansluiting van een optische digitale kabel (A) vereist om via de receiver naar het TV-geluid te luisteren.
- Als de TV de HDMI Audio Return Channel-functie ondersteunt, komt het geluid van de TV via de HDMI-aansluiting de receiver binnen, dus hoeft er geen optische digitale kabel (A) te worden aangesloten. In dit geval zet u **ARC** bij **HDMI Setup** op **ON**. Zie "HDMI-instellingen" van de handleiding voor details.
- Raadpleeg de handleiding van de TV voor aanwijzingen betreffende de aansluitingen en instellingen van de TV.

- Met de fabrieksinstellingen wordt geen video van de videokabel of componentkabel uitgevoerd via de HDMI-aansluiting. Om video uit te voeren moet u de video-ingang overschakelen naar het apparaat dat met de videokabel of componentkabel is aangesloten, en **V.CONV** instellen op **ON**. Zie "De video-opties instellen" van de handleiding voor details.

De antennes aansluiten



Opmerking

- Zie de handleiding op de bijgeleverde CD-ROM als u een TV of weergave-apparaat wilt aansluiten via een andere methode dan een HDMI-verbinding.
- Zie de handleiding op de bijgeleverde CD-ROM voor het aansluiten van andere apparatuur.

stopcontact

Steek de stekker pas in het stopcontact als u alle andere apparaten, waaronder de luidsprekers, hebt aangesloten op de receiver.

WAARSCHUWING

- Houd het netsnoer bij de stekker vast. Trek de stekker

niet uit het stopcontact door aan het snoer te trekken en raak het netsnoer nooit met natte handen aan. Dit kan kortsluiting of een elektrische schok tot gevolg hebben. Zorg ervoor dat u dit apparaat, een meubel of een ander voorwerp niet op het netsnoer plaatst en dat het netsnoer niet op een andere manier wordt afgekneld. Maak geen knopen in het netsnoer en bind het niet samen met andere kabels. Leid de netsnoeren zodanig dat de kans klein is dat iemand erop gaat staan. Een beschadigd netsnoer kan brand of een elektrische schok veroorzaken. Controleer de staat van het netsnoer regelmatig. Als u een beschadiging vaststelt, neemt u contact op met een onafhankelijke, door Pioneer erkende onderhoudsdienst voor een nieuw netsnoer.

- Gebruik uitsluitend het bij dit apparaat geleverde netsnoer.
- Gebruik het geleverde netsnoer niet voor andere doeleinden dan hieronder beschreven.
- Haal de stekker van dit apparaat uit het stopcontact wanneer u het langere tijd niet gebruikt, bijvoorbeeld wanneer u op vakantie gaat.
- Controleer of het blauwe **STANDBY/ON**-lampje uit is voordat u de stekker uit het stopcontact haalt.

- Sluit het geleverde netsnoer aan op de AC IN-aansluiting aan de achterkant van de receiver.
- Steek het andere einde in het stopcontact.

BELANGRIJKE INFORMATIE BETREFFENDE DE VENTILATIE

Let er bij het installeren van het apparaat op dat er voldoende vrije ruimte rondom het apparaat is om een goede doorstroming van lucht te waarborgen (tenminste 40 cm boven, 10 cm achter en 20 cm aan de zijkanten van het apparaat).

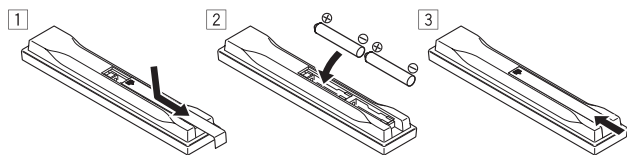
WAARSCHUWING

De gleuven en openingen in de behuizing van het apparaat zijn aangebracht voor de ventilatie, zodat een betrouwbare werking van het apparaat wordt verkregen en oververhitting wordt voorkomen. Om brand te voorkomen, moet u ervoor zorgen dat deze openingen nooit geblokkeerd worden of dat ze afgedekt worden door voorwerpen (kranten, tafelkleed, gordijn e.d.) of door gebruik van het apparaat op een dik tapijt of een bed.

STEP 2 Eerste instellingen

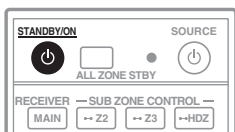
Voordat u begint

1 Plaats batterijen in de afstandsbediening.



Met de batterijen die bij het apparaat worden geleverd, kunt u controleren of alles juist werkt; het is mogelijk dat deze batterijen geen lange levensduur hebben. Wij raden u aan alkalibatterijen met een lange levensduur te gebruiken.

2 Zet de receiver en de TV aan.



3 Schakel de ingangsfunctie van de TV om zodat deze verbonden is met de receiver.

4 Schakel de subwoofer in en verhoog het volume.

⚠ WAARSCHUWING

- Batterijen mogen niet in direct zonlicht of op een erg warme plaats, zoals in de buurt van een verwarming of in een auto die in de zon staat, gebruikt of opgeborgen worden. Dit kan resulteren in lekkage, oververhitting, explosie of in brand vliegen van de batterijen. Bovendien kan de levensduur van de batterijen afnemen.

⚠ WAARSCHUWING

- Let er bij het plaatsen van de batterijen op dat u de veren van de (-) aansluitingen voor de batterijen niet beschadigt. Dit kan resulteren in lekkage of oververhitting van de batterijen.
- Wanneer u lege batterijen weggooit, gelieve daarbij de geldende wetgeving en bepalingen na te leven.

De instellingen voor surroundgeluid automatisch maken (MCACC)

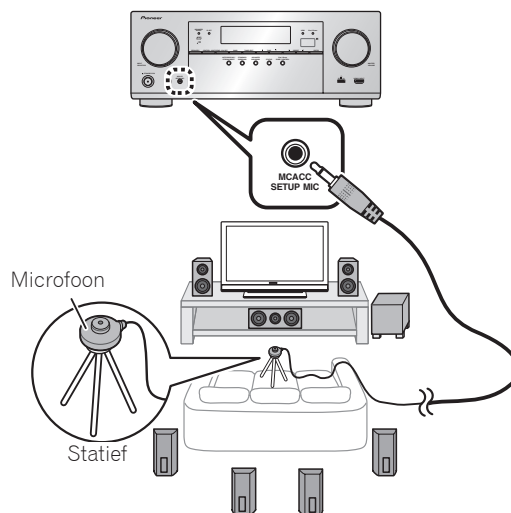
De automatische meerkanalen akoestische kalibratie (MCACC) instelling maakt gebruik van de bijgeleverde instelmicrofoon om

de testtoon die door de luidsprekers wordt uitgevoerd te meten en analyseren. Deze functie biedt een automatische meting en instelling met zeer hoge nauwkeurigheid; bij gebruik ervan wordt een optimale luisteromgeving voor de gebruiker gecreëerd.

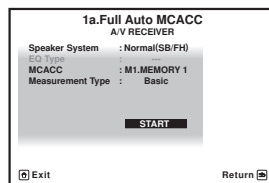
📌 Belangrijk

- Meet in een stille omgeving.
- Als u een statief hebt, kunt u dit gebruiken om de microfoon ongeveer op oorhoogte te plaatsen op de normale luisterpositie. Zet de microfoon anders op oorhoogte met behulp van een tafel of stoel.
- Nauwkeurige metingen zijn wellicht niet mogelijk als er een obstakel is tussen de luidsprekers en de luisterpositie (microfoon).
- Ga bij het meten verwijderd van de luisterpositie staan en gebruik de afstandsbediening terwijl u aan de buitenzijde van alle luidsprekers staat.

1 Sluit de bijgeleverde instelmicrofoon aan.



Het scherm **Full Auto MCACC** verschijnt op uw TV.



2 Druk op de afstandsbediening op **MAIN RECEIVER** en voer de bediening uit.

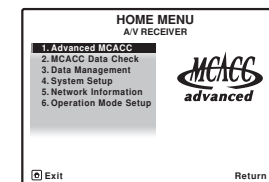
- Als u de cursor op **Measurement Type** plaatst en **Basic** selecteert, worden **Speaker Setting**, **Channel Level** en **Speaker Distance** automatisch aangepast. Als u **Expert** selecteert, worden ook automatisch **Standing Wave** en **Acoustic Cal EQ** (frequentiekenmerken) aangepast.

3 Plaats de cursor op **START** en druk op de knop **ENTER**.

- De automatische meting begint.
- De meting duurt ongeveer 3 tot 12 minuten.

4 Volg de instructies op het scherm.

- De automatische instelling is voltooid wanneer het scherm Home Menu verschijnt.

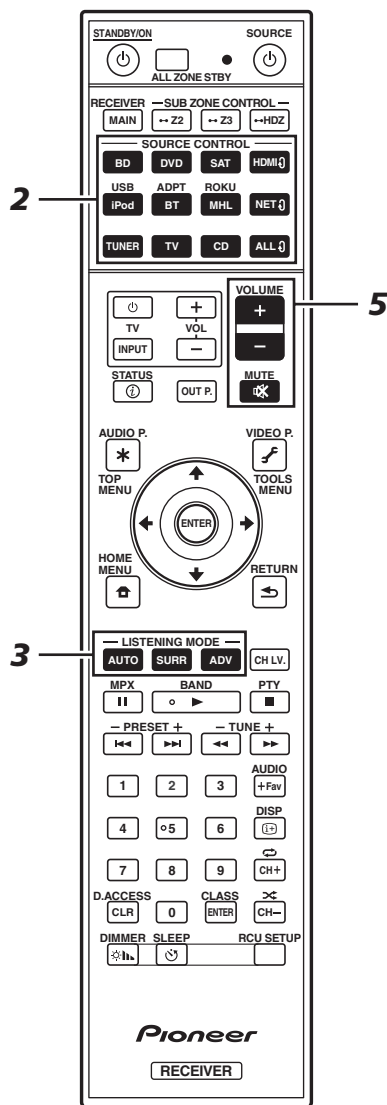


- Als **Reverse Phase** wordt aangegeven, kunnen de luidsprekerdraden (+ en -) verwisseld zijn. Controleer de aansluitingen van de luidsprekers. Zelfs als de aansluitingen juist zijn, kan er **Reverse Phase** worden weergegeven, afhankelijk van de luidsprekers en de omgevingsomstandigheden. Dit is echter niet van invloed op de metingen, dus u kunt **Go Next** selecteren.
- Als de stroom uitvalt, is mogelijk het beveiligingscircuit in werking getreden omdat de kern van de luidsprekerkabel het achterpaneel raakt of omdat de (+) en (-) kernen elkaar raken. Draai de kern van de luidsprekerkabel opnieuw samen, en sluit hem zo aan dat hij niet uitsteekt bij de luidsprekeraansluiting.

5 Zorg dat de instelmicrofoon wordt losgemaakt.

STEP 3 Basisbediening voor afspelen

Meerkanaals weergave



1 Schakel het weergave-apparaat in.

Bijv.: Schakel de Blu-ray disc-speler in die op de **HDMI BD IN**-aansluiting is aangesloten.

2 Schakel de ingangsfunctie van de receiver om.

Bijv.: Druk op **BD** om de **BD**-ingang te selecteren.

3 Druk op **AUTO** om 'AUTO SURROUND' te selecteren.

Druk ook op **SURR** of **ADV** voor weergave via meerdere kanalen. Selecteer uw gewenste luisterfunctie.

4 Start met afspelen van het weergave-apparaat.

Bijv.: Start met afspelen van de Blu-ray disc-speler.

5 Gebruik **VOLUME +/-** om het volume in te stellen.

- Als er geen geluid klinkt van de midden- en achterluidsprekers, druk dan op **SURR** of **ADV** om de luisterfunctie te wijzigen. Voorbeeld) Druk enkele keren op de knop **ADV** om **EXT. STEREO** te selecteren.
- **Als er geen geluid komt uit de subwoofer**
Oorzaak – De voorluidspreker is ingesteld op LARGE.
Als een audiobron met 2 kanalen wordt ingevoerd, wordt de lagefrequentiecomponent niet weergegeven via de subwoofer maar via de voorluidspreker.

Oplossing – Wijzig de luidsprekerinstelling om het geluid weer te geven via de subwoofer.

Methode 1: Wijzig de instelling van de voorluidspreker in **SMALL**.

De lagefrequentiecomponent wordt niet weergegeven via de voorluidspreker maar via de subwoofer. Als de voorluidspreker een hoge capaciteit heeft voor weergave van lage frequenties, dan raden we aan om de instelling niet te wijzigen.

Methode 2: Wijzig de instelling van de subwoofer in **PLUS**.

De lagefrequentiecomponent wordt weergegeven via de voorluidspreker en de subwoofer. In dit geval worden lage tonen soms te sterk weergegeven. Als dat zo is, raden we aan om de instelling niet te wijzigen of methode 1 te gebruiken.

- Zie "Luidsprekerinstelling" van de handleiding voor details.
- Als er geen geluid wordt weergegeven, verhoogt u het volume tot ongeveer -30 dB.

Opmerking

- Als het apparaat niet kan worden bediend met de afstandsbediening
- Druk vóór gebruik van de receiver op **MAIN RECEIVER**.
- Voor gebruik van functies zoals het netwerk, TUNER of iPod drukt u vóór gebruik ervan op de betreffende functieknop (**NET**, **TUNER**, **iPod**, enz.).

Luisteren naar de radio

1 Druk op **TUNER** om de tuner te selecteren.

Indien nodig, drukt u op **BAND** om de andere afstemband (FM of AM) te kiezen.

2 Druk op **TUNE +/-** om op een zender af te stemmen.

- Houd **TUNE +/-** ongeveer een seconde ingedrukt. De receiver begint naar de volgende zender te zoeken.
- Als u naar een FM-zender luistert maar de ontvangst zwak is, drukt u op **MPX** om FM MONO te selecteren en de receiver in de mono-ontvangststand te zetten.

Voorkeurzenders opslaan

Als u vaak naar een bepaalde zender luistert, is het handig als u de frequentie opslaat in het geheugen van de receiver om de zender later gemakkelijk te kunnen oproepen.

1 Druk op **TOOLS** terwijl een uitzending ontvangen wordt van de zender die u wilt opslaan.

Het voorkeurzendernummer knippert.

2 Druk op **PRESET +/-** om het gewenste voorkeurzendernummer te selecteren en druk dan op **ENTER**.

Het voorkeurzendernummer stopt met knipperen en de receiver slaat de zender in het geheugen op.

Luisteren naar voorkeurzenders

U moet voorkeurzenders in het geheugen hebben opgeslagen om naar voorkeurzenders te kunnen luisteren.

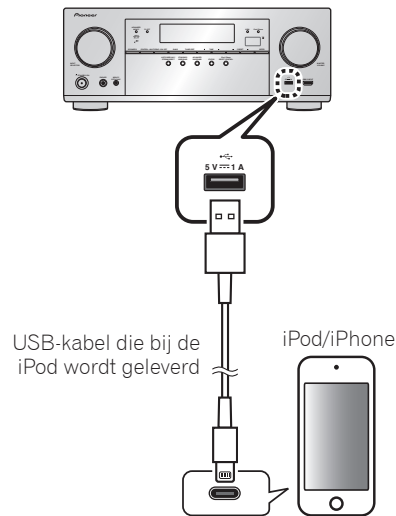
- Druk op **PRESET +/-** om de gewenste voorkeurzender te selecteren.

Een iPod afspelen

- Na het inschakelen van de stroom duurt het ongeveer één minuut totdat het opstarten is voltooid.

1 Sluit uw iPod aan.

Er kan een iPod/iPhone op de receiver worden aangesloten.



2 Druk op iPod USB om de iPod/USB-ingang te selecteren.

Wanneer u de namen van de mappen en bestanden op het display ziet, kunt u muziek afspelen van de iPod.

3 Gebruik ↑/↓ om een categorie te selecteren en druk dan op ENTER om door die categorie te lopen.

- Als u terug wilt naar het vorige niveau, drukt u op RETURN.

4 Gebruik ↑/↓ om door de geselecteerde categorie, bijvoorbeeld albums, te bladeren.

- Gebruik ←/→ om naar vorige/volgende niveaus te gaan.

5 Blader net zo lang tot u hebt gevonden wat u wilt afspelen. Druk op ► om het afspelen te starten.

Luisteren naar internet-radiozenders

- Na het inschakelen van de stroom duurt het ongeveer één minuut totdat het opstarten is voltooid.

Belangrijk

- Wanneer u een breedband internetverbinding wilt gebruiken, heeft u een overeenkomst met een internet service provider nodig. Neem voor meer informatie contact op met uw plaatselijke internet service provider.
- Om naar internet-radiozenders te kunnen luisteren, moet u breedband-internet hebben met hoge snelheid. Bij gebruik van een 56 K of ISDN-modem is het vaak niet mogelijk om een goede kwaliteit van het geluid van de internet-radiozenders te verkrijgen.
- Toegang tot materiaal ("content") van derden vereist een internetverbinding met hoge snelheid en mogelijk ook een accountregistratie en een betaald abonnement. Diensten met materiaal van derden kunnen op elk moment zonder kennisgeving worden gewijzigd, opgeschort, onderbroken of geannuleerd en Pioneer wijst elke aansprakelijkheid in verband met dergelijke gebeurtenissen van de hand. Pioneer maakt geen aanspraken en geeft geen garanties dat diensten voortdurend zullen worden geleverd of een bepaalde tijd lang beschikbaar zullen zijn en elke garantie met een dergelijke strekking, uitdrukkelijk of impliciet, wordt van de hand gewezen.

1 Druk enkele malen op NET om de INTERNET RADIO-ingang te selecteren.

Het kan een paar seconden duren voordat de receiver toegang heeft tot het netwerk.

2 Gebruik ↑/↓ om de internet-radiozender te selecteren waarnaar u wilt luisteren en druk dan op ENTER.

Om optimaal te genieten van de vele functies van het apparaat

Start AVNavigator en gebruik de "Interactive Operation Guide".

Plaats de cd-rom in de computer en download de "Handleiding" (PDF) van het menuscherm om te lezen.

Functies

- Een USB-apparaat afspelen
- Muziek afspelen via Bluetooth
- Afspelen met de NETWERK-functie
- De audio-opties instellen
- De video-opties instellen
- MULTI-ZONE bediening gebruiken

Veelgestelde vragen

Woordenlijst

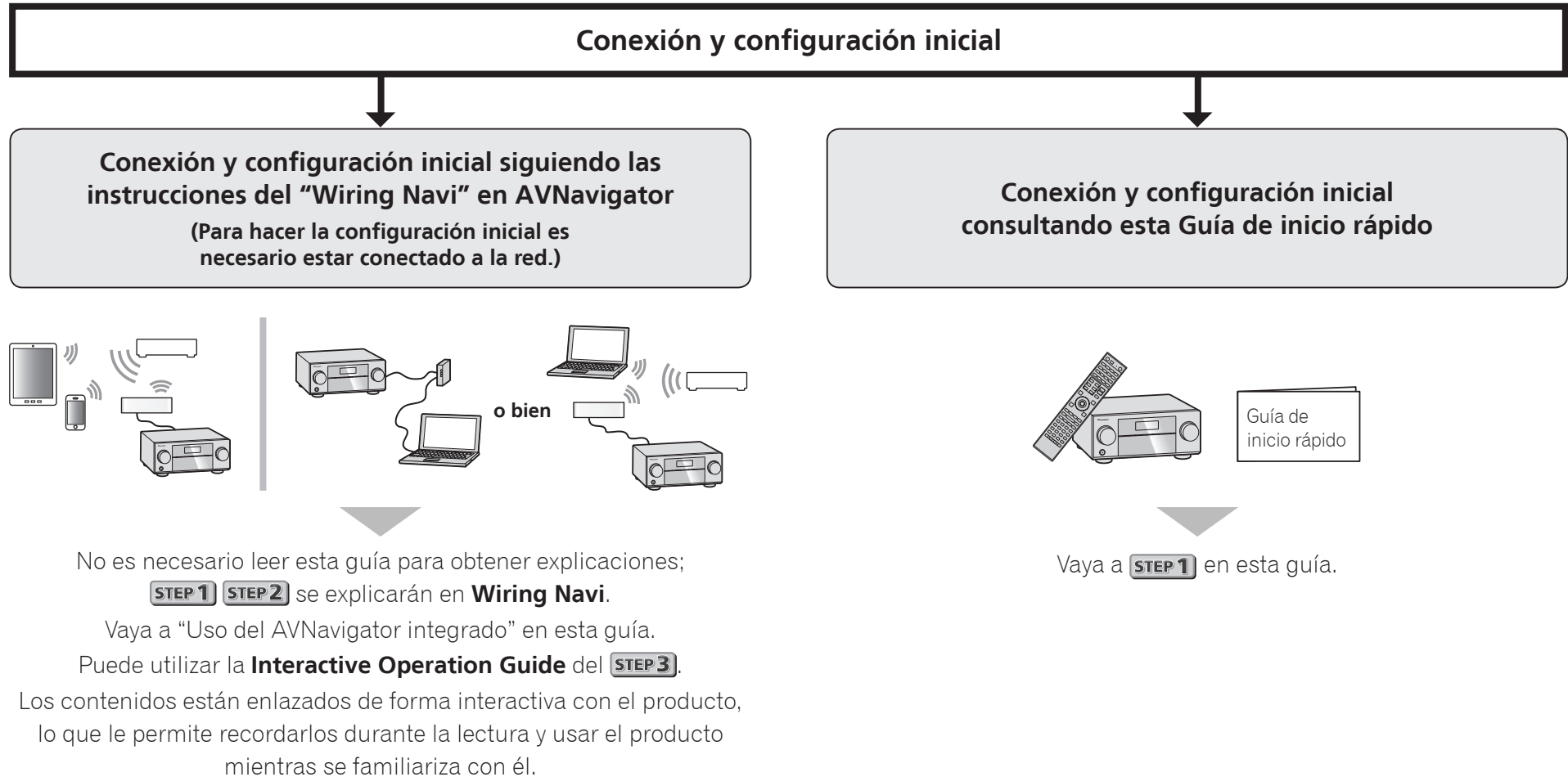
Functielijst

Opmerking

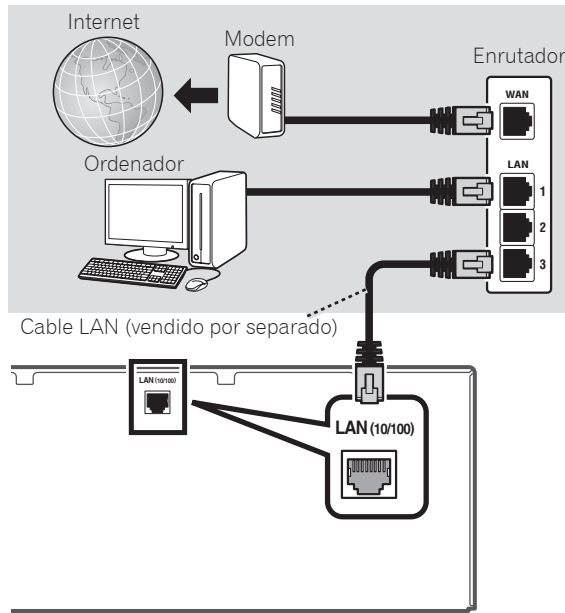
- Dit toestel ondersteunt AirPlay. Zie voor details "Gebruiken van AirPlay op iPod touch, iPhone, iPad en iTunes" van de handleiding en de website van Apple (<http://www.apple.com>).
- De software van dit apparaat kan worden bijgewerkt ("Software-update" van de handleiding). Op Mac OS kan de software worden bijgewerkt via Safari ("Gebruik van Safari voor het updaten van de firmware" in de handleiding).

Disfrute de la reproducción multicanal fácil con esta unidad en 3 pasos: **STEP 1 Conexiones** → **STEP 2 Configuración inicial** → **STEP 3 Reproducción básica**. La conexión y la configuración inicial se pueden realizar consultando esta Guía de inicio rápido, pero es más fácil cuando se utiliza **Wiring Navi** en AVNavigator.

Realice la conexión y la configuración inicial con cualquiera de los métodos en función de las circunstancias en las que use AVNavigator. Adicionalmente, el uso de la **Interactive Operation Guide** de AVNavigator le permite aprender las operaciones básicas de forma efectiva.



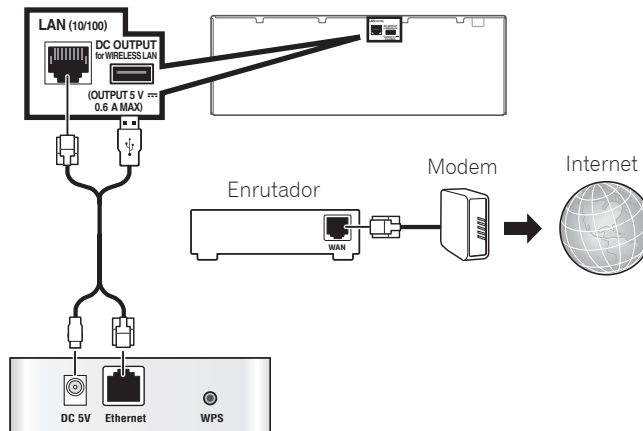
Conexión a la red mediante la interfaz LAN



Conexión a una LAN inalámbrica

La conexión inalámbrica a la red se puede hacer a través de la conexión de LAN inalámbrica. Use el AS-WL300 vendido por separado para hacer la conexión.

- Use solamente el cable de conexión accesorio suministrado.
- Para usar un convertidor LAN inalámbrico (AS-WL300) se necesitan ciertos ajustes. Para conocer instrucciones sobre cómo hacer estos ajustes, consulte el manual de instrucciones incluido con el convertidor LAN inalámbrico (AS-WL300).



Convertidor de LAN inalámbrica (AS-WL300)

Conexión del receptor

Tras la conexión a una LAN, conecte el cable de alimentación del receptor a una toma de corriente.

⚠ PRECAUCIÓN

- Al manipular el cable de alimentación, sujételo por la parte de la clavija. No desconecte la clavija tirando del cable y nunca toque el cable de alimentación con las manos mojadas, ya que esto puede causar cortocircuitos o descargas eléctricas. No coloque el equipo, un mueble ni ningún otro objeto encima del cable de alimentación, y asegúrese de no aplastar el cable de ningún otro modo.

Nunca haga un nudo con el cable y no lo ate a otros cables. Los cables de alimentación deben ser tendidos de tal manera que la probabilidad de que alguien los pise sea mínima. Un cable de alimentación dañado puede causar fuego y descargas eléctricas. Revise el cable de alimentación cada cierto tiempo. Si observa que está dañado, solicite un cable de repuesto en el servicio técnico Pioneer autorizado más cercano.

- No utilice ningún cable de alimentación que no sea el que se suministra con esta unidad.
- No utilice el cable de alimentación suministrado para ningún otro fin distinto del que se describe a continuación.
- Cuando no vaya a usar el receptor durante un período de tiempo prolongado (por ejemplo, durante las vacaciones), desconecte la clavija de alimentación de la toma de corriente mural.
- Asegúrese de que la luz azul **STANDBY/ON** se ha apagado antes de desenchufar la unidad.

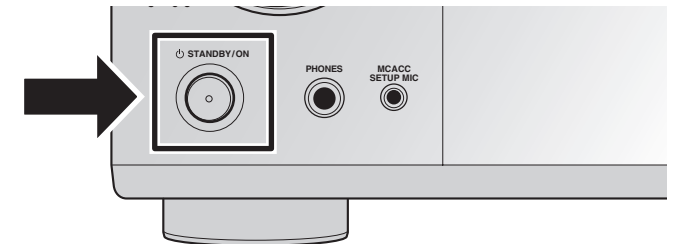
1 Conecte el cable de alimentación suministrado a la toma AC IN de la parte posterior del receptor.

2 Conecte el otro extremo a una toma de corriente.

Encendido

Pulse **STANDBY/ON** para encender el receptor y el ordenador.

Espere unos minutos tras el encendido antes de realizar la siguiente operación.



Inicio del AVNavigator integrado

Controle AVNavigator siguiendo las instrucciones de la pantalla del ordenador, etc.

Entorno de funcionamiento

- AVNavigator se puede utilizar en los siguientes entornos.
 - PC con Windows PC: Microsoft® Windows® XP/Windows Vista®/Windows® 7/Windows® 8/Windows® 8.1
 - Mac OS: Mac OSX (10.7, 10.8 o 10.9)
 - iPad/iPhone/iPod touch: iOS 7
 - Dispositivo Android: Android 4.0.4
- Algunas funciones de AVNavigator utilizan un navegador de Internet. Se admiten los siguientes navegadores:
 - PC con Windows PC: Internet Explorer® 8, 9, 10, 11
 - Mac OS/iPad/iPhone/iPod touch: Safari 6.0
 - Dispositivo Android: navegador Android
- Para utilizar ciertas funciones del AVNavigator, debe instalar la versión más reciente de Adobe® Flash® Player. Para conocer detalles, visite el siguiente sitio web. <http://www.adobe.com/downloads/>
- En función de la configuración de red o la configuración de seguridad del ordenador, es posible que AVNavigator no funcione.

Uso de un PC con Windows

- Inicie Internet Explorer e introduzca la dirección IP de esta unidad en el campo de dirección de Internet Explorer. (Acceda a la dirección IP "http://(la dirección IP del receptor)" desde un navegador de red.) Puede mostrar la dirección IP de la unidad en la pantalla de la unidad pulsando el botón **STATUS** del mando a distancia.
- En un PC con una versión de Windows diferente de Windows XP, puede utilizar el siguiente método para iniciar AVNavigator. Inicie Explorer y haga clic con el botón derecho en <VSX-924> que se muestra en la carpeta **'Network'** y, a continuación, haga clic en **'View device webpage'**.



Uso de Mac

Inicie Safari y haga clic en <VSX-924> que se muestra en **'Bonjour'** en la barra Favoritos.



- Si no se muestra **'Bonjour'** active la casilla de verificación **'Include Bonjour in the Favorites bar'** en la pestaña **'Advanced'** dentro del menú **'Preferences...'** de Safari.



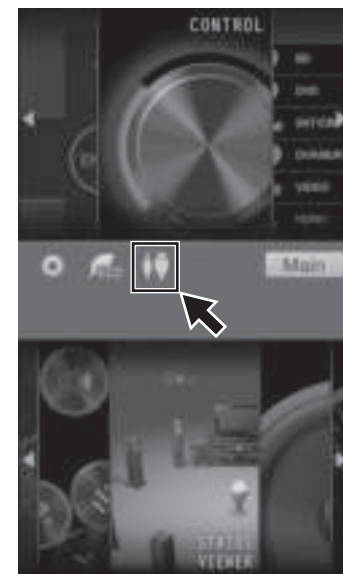
Uso de un iPad/iPhone/iPod touch

Descargue una aplicación gratuita, iControlAV5, de la App Store. Tras iniciar iControlAV5, siga las instrucciones de la pantalla. Posteriormente, en la pantalla Home, pulse **'AVNavigator'** o el icono.

iPad



iPhone/iPod touch

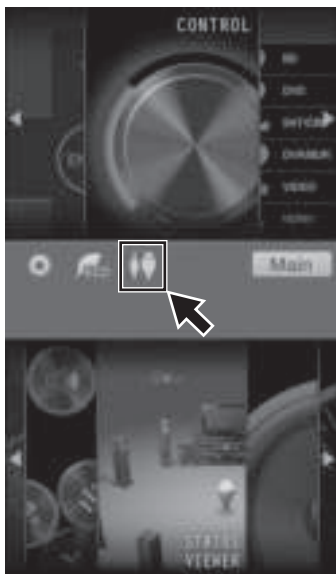


■ Uso de un iPad

En un iPad, puede utilizar AVNavigator para iPad. Descargue AVNavigator para iPad desde la App Store. Tras iniciar AVNavigator para iPad, siga las instrucciones de la pantalla.

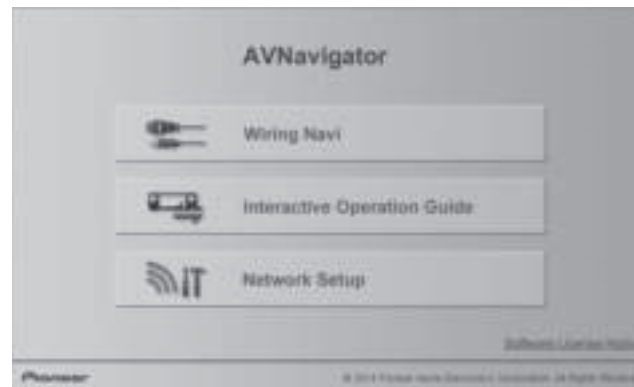
Uso de un dispositivo Android

Descargue una aplicación gratuita, iControlAV5, de Google Play Store. Tras iniciar iControlAV5, siga las instrucciones de la pantalla. Posteriormente, en la pantalla Home, pulse el icono.



Acerca del uso de Wiring Navi

Wiring Navi se inicia cuando se pulsa 'Wiring Navi' en la pantalla de AVNavigator.



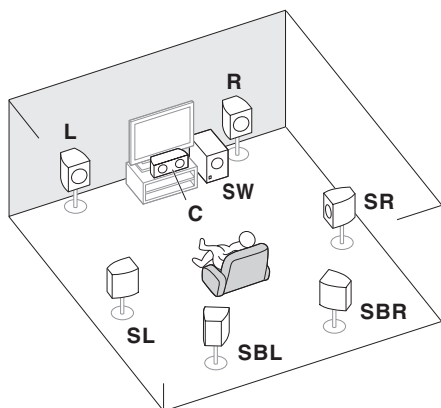
- Cuando haya finalizado la conexión, vaya al paso **STEP 3**.

STEP 1 Conexiones

Conexión de los altavoces

El receptor funcionará con solo dos altavoces estéreo (los delanteros en el diagrama), pero se recomienda usar un mínimo de cinco, y el juego completo es lo mejor para el sonido envolvente. Para obtener un sonido envolvente confortable, instale sus altavoces como se indica a continuación.

Sistema de sonido envolvente de 7.1 canales:



- L – Delantero izquierdo
- C – Central
- R – Delantero derecho
- SL – Sonido envolvente izquierdo
- SR – Sonido envolvente derecho
- SBL – Sonido envolvente trasero izquierdo
- SBR – Sonido envolvente trasero derecho
- SW – Subwoofer

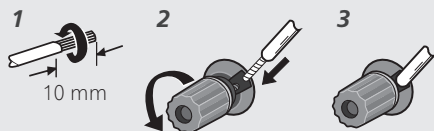
Nota

- También hay otras formas de conectar altavoces (delantero alto, delantero ancho, etc.). Para conocer los detalles, consulte "Conexión del equipo" en las instrucciones de funcionamiento.

Conexión de los cables de altavoces

Asegúrese de conectar el altavoz de la derecha al terminal derecho (R) y el altavoz de la izquierda al terminal izquierdo (L). Asegúrese también de que los terminales positivo y negativo (+/-) del receptor concuerden con los de los altavoces.

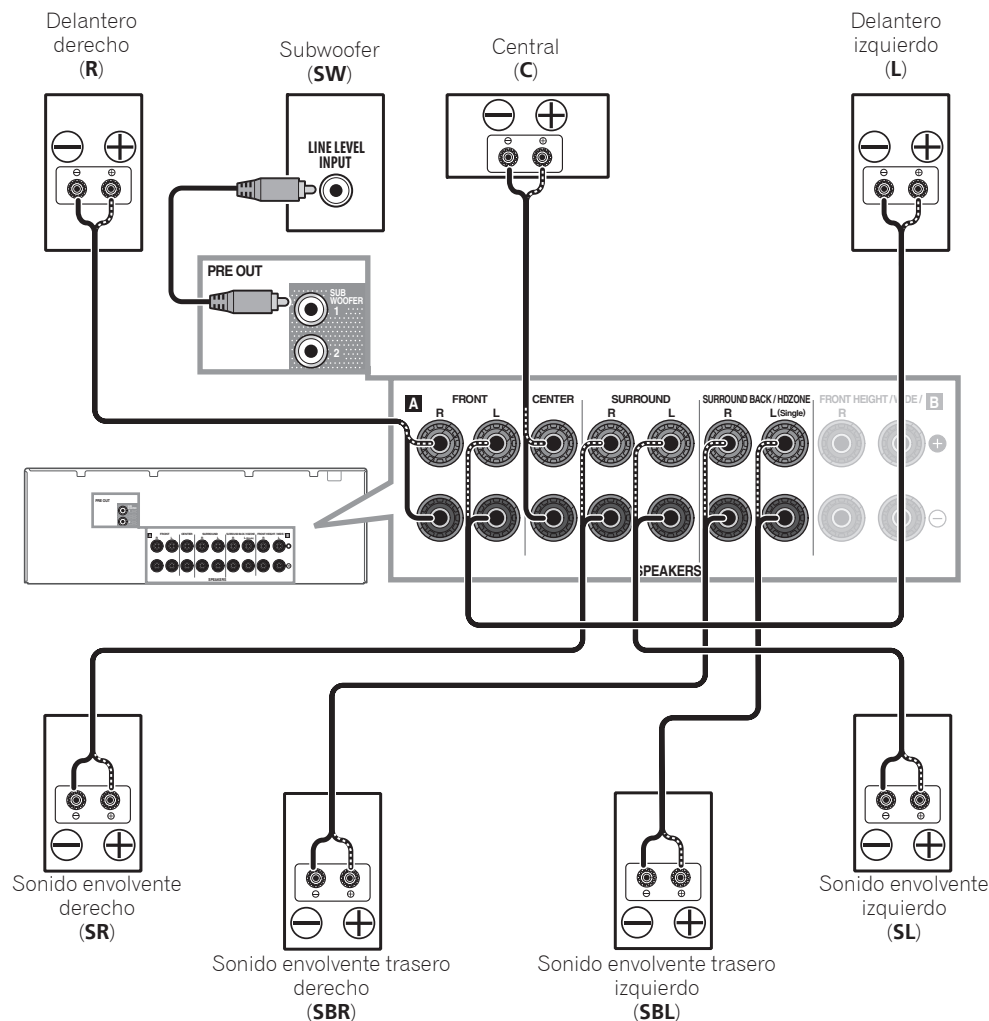
- 1 Retuerza juntos los hilos del cable expuesto.
- 2 Afloje el terminal e inserte el cable expuesto.
- 3 Apriete el terminal.



PRECAUCIÓN

- Antes de establecer o modificar las conexiones, desconecte la alimentación y desenchufe el cable de alimentación de la toma de corriente.
- Estos terminales de altavoces tienen **CORRIENTE PELIGROSA**. Para impedir recibir una descarga eléctrica al conectar o desconectar los cables de los altavoces, desconecte el cable de la alimentación antes de tocar cualquier parte sin aislar.

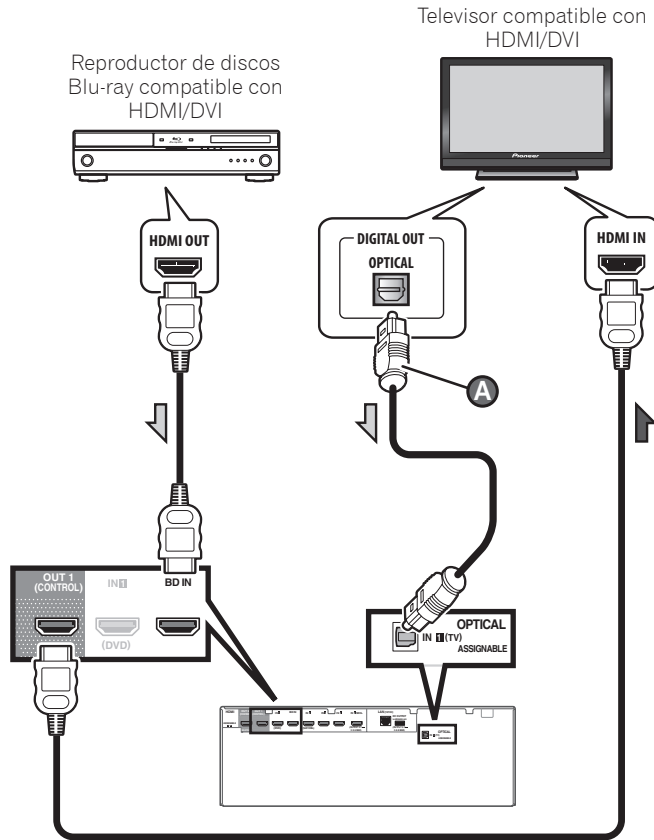
Después de instalar los altavoces, conéctelos como se muestra a continuación.



Nota

- Cuando conecte un solo altavoz de sonido envolvente trasero, conéctelo a los terminales **SURROUND BACK L (Single)**.
- Esta unidad soporta altavoces con una impedancia nominal de 6 Ω a 16 Ω.

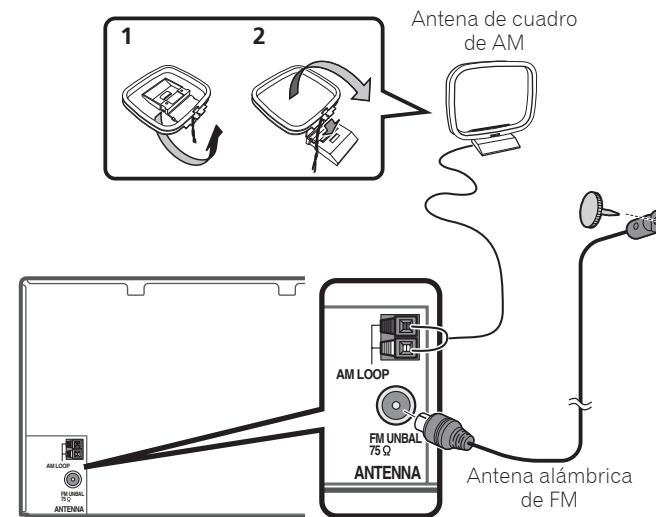
Conexión de un televisor y componentes de reproducción



- Si el televisor no soporta la función de canal de retorno de audio HDMI, la conexión del cable digital óptico (A) será necesaria para escuchar el sonido del televisor a través del receptor.
- Si el televisor soporta la función de canal de retorno de audio HDMI, el sonido del televisor se introducirá en el receptor a través del terminal HDMI, así que no será necesario conectar un cable digital óptico (A). En este caso, ponga **ARC de HDMI Setup** en **ON**. Para conocer los detalles, consulte "Configuración de HDMI" en las instrucciones de funcionamiento.
- Consulte el manual de instrucciones del televisor para hacer las conexiones y la configuración del mismo.

- Con los ajustes por defecto, el vídeo conectado con el cable de vídeo o el cable de componentes no se emite desde el terminal HDMI. Para reproducir vídeo, debe cambiar la entrada de vídeo al dispositivo conectado con el cable de vídeo o el cable de componentes y ajustar **V.CONV** en **ON**. Para conocer los detalles, consulte "Ajuste de las opciones de vídeo" en las instrucciones de funcionamiento.

Conexión de antenas



Nota

- Consulte el manual de instrucciones del CD-ROM incluido si quiere conectar un televisor o componente de reproducción siguiendo otro método que no sea una conexión HDMI.
- Consulte el manual de instrucciones del CD-ROM incluido para las conexiones de otros aparatos.

Conexión del receptor

No conecte el receptor hasta que no haya conectado todos los componentes de este receptor, incluidos los altavoces.

PRECAUCIÓN

- Al manipular el cable de alimentación, sujételo por la parte de

la clavija. No desconecte la clavija tirando del cable y nunca toque el cable de alimentación con las manos mojadas, ya que esto puede causar cortocircuitos o descargas eléctricas. No coloque el equipo, un mueble ni ningún otro objeto encima del cable de alimentación, y asegúrese de no aplastar el cable de ningún otro modo. Nunca haga un nudo con el cable y no lo ate a otros cables. Los cables de alimentación deben ser tendidos de tal manera que la probabilidad de que alguien los pise sea mínima. Un cable de alimentación dañado puede causar fuego y descargas eléctricas. Revise el cable de alimentación cada cierto tiempo. Si observa que está dañado, solicite un cable de repuesto en el servicio técnico Pioneer autorizado más cercano.

- No utilice ningún cable de alimentación que no sea el que se suministra con esta unidad.
- No utilice el cable de alimentación suministrado para ningún otro fin distinto del que se describe a continuación.
- Cuando no vaya a usar el receptor durante un período de tiempo prolongado (por ejemplo, durante las vacaciones), desconecte la clavija de alimentación de la toma de corriente mural.
- Asegúrese de que la luz azul **STANDBY/ON** se ha apagado antes de desenchufar la unidad.

- 1 Conecte el cable de alimentación suministrado a la toma AC IN de la parte posterior del receptor.
- 2 Conecte el otro extremo a una toma de corriente.

PRECAUCIÓN PARA LA VENTILACIÓN

Cuando instale este aparato, asegúrese de dejar espacio en torno al mismo para la ventilación con el fin de mejorar la disipación de calor (por lo menos 40 cm encima, 10 cm detrás, y 20 cm en cada lado).

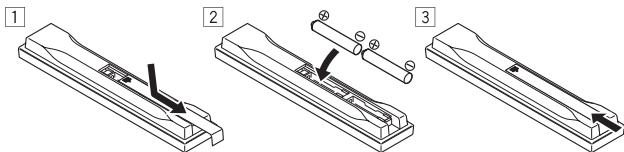
ADVERTENCIA

Las ranuras y aberturas de la caja del aparato sirven para su ventilación para poder asegurar un funcionamiento fiable del aparato y para protegerlo contra sobrecalentamiento. Para evitar el peligro de incendio, las aberturas nunca deberán taparse ni cubrirse con nada (como por ejemplo, periódicos, manteles, cortinas) ni ponerse en funcionamiento el aparato sobre una alfombra gruesa o una cama.

STEP 2 Configuración inicial

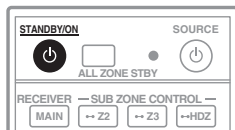
Antes de comenzar

1 Ponga las pilas en el mando a distancia.



Las pilas suministradas con la unidad son para verificar las operaciones iniciales; puede que no duren mucho tiempo. Recomendamos usar pilas alcalinas de duración más larga.

2 Encienda el receptor y el televisor.



3 Cambie la entrada del televisor para conectarlo al receptor.

4 Apague el subwoofer y suba el volumen.

⚠ ADVERTENCIA

- No utilice ni guarde las pilas a la luz solar directa ni en otros lugares de mucho calor como, por ejemplo, dentro de un automóvil o cerca de una calefacción. Esto puede ser la causa de que las pilas tengan pérdidas, se sobrecalienten, revienten o se incendien. También se puede reducir la duración o el rendimiento de las pilas.

⚠ PRECAUCIÓN

- Cuando inserte las pilas, asegúrese de no dañar los resortes de los terminales (-) de las mismas. Esto puede causar fugas o recalentamiento en las pilas.
- Cuando tiene que desembarazarte de las baterías usadas, por favor se adapte a los reglamentos gubernamentales o a las disposiciones en materia ambiental en vigor en su país/área.

Configuración automática para sonido envolvente (MCACC)

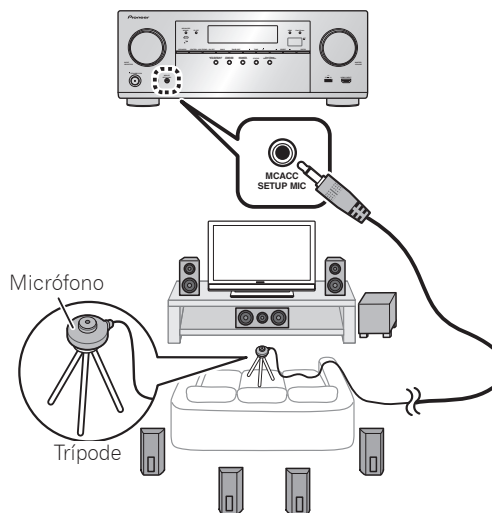
La configuración de calibración acústica automática de múltiples canales (MCACC) usa el micrófono de configuración

suministrado para medir y analizar el tono de prueba que sale por los altavoces. Esta configuración permite hacer mediciones y ajustes automáticos de alta precisión; al utilizarla se creará un entorno de audición óptimo para el usuario.

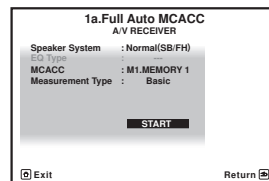
📌 Importante

- Mida en un entorno silencioso.
- Si tiene un trípode, utilícelo para situar el micrófono de modo tal que quede a nivel del oído en la posición de audición normal. En caso contrario, sitúe el micrófono a nivel del oído utilizando una mesa o silla.
- Si hay obstáculos entre los altavoces y la posición de audición (micrófono) puede que no sea posible tomar medidas precisas.
- Cuando mida, apártese de la posición de audición y opere utilizando el mando a distancia desde el lado externo de todos los altavoces.

1 Conecte el micrófono de configuración suministrado.



La pantalla **Full Auto MCACC** aparece en su televisor.



2 Pulse MAIN RECEIVER en el mando a distancia para controlar el receptor.

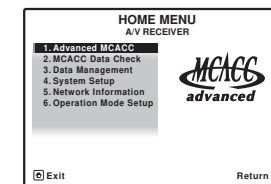
- Cuando el cursor se coloque sobre **Measurement Type** y se seleccione **Basic**, **Speaker Setting/Channel Level/Speaker Distance** se ajustarán automáticamente. Si se selecciona **Expert** también se podrá ajustar automáticamente **Standing Wave/Acoustic Cal EQ** (características de frecuencia).

3 Coloque el cursor sobre START y pulse el botón ENTER.

- La medición automática empezará.
- La medición tardará entre 3 y 12 minutos aproximadamente.

4 Siga las instrucciones que aparecen en la pantalla.

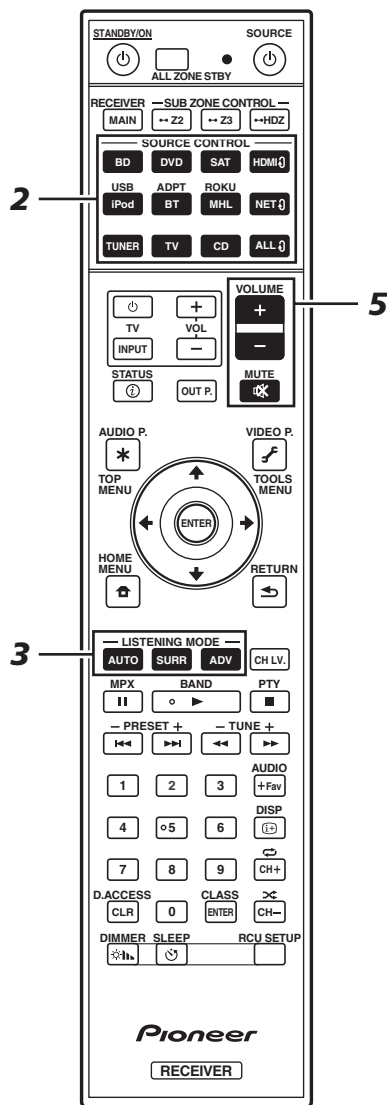
- El ajuste automático se completa cuando aparece la pantalla Home Menu.



- Si se visualiza **Reverse Phase**, las conexiones de los cables de los altavoces (+ y -) pueden estar invertidas. Compruebe las conexiones de altavoz. Aunque las conexiones sean correctas, puede que se visualice **Reverse Phase**, dependiendo de los altavoces y del entorno circundante. Sin embargo, esto no afecta a las mediciones, así que seleccione **Go Next**.
- Si se corta la alimentación, el núcleo del cable del altavoz puede estar en contacto con el panel trasero o los núcleos (+) y (-) pueden estar tocándose, lo que hace que los circuitos de protección se activen. Vuelva a trenzar el núcleo del cable del altavoz y conéctelo de forma que no sobresalga del terminal del altavoz.

5 Asegúrese de que el micrófono de configuración esté desconectado.

Reproducción multicanal



1 Encienda el componente de reproducción.

Ej.) Encienda el reproductor de discos Blu-ray conectado al terminal **HDMI BD IN**.

2 Cambie la entrada del receptor.

Ej.) Pulse **BD** para seleccionar la entrada **BD**.

3 Pulse **AUTO** para seleccionar 'AUTO SURROUND'.

Plse también **SURR** o **ADV** para la reproducción multicanal. Seleccione su modo de audición preferido.

4 Inicie la reproducción del componente de reproducción.

Ej.) Inicie la reproducción del reproductor de discos Blu-ray.

5 Use **VOLUME +/-** para ajustar el nivel del volumen.

- Cuando no se pueda oír un sonido desde los altavoces central y trasero, pulse **SURR** o **ADV** para cambiar los modos de escucha. P. ej.) Pulse el botón **ADV** varias veces para seleccionar **EXT.STEREO**.
- Cuando no hay sonido del subwoofer
Causa - El altavoz delantero está ajustado en LARGE.

Cuando se recibe una fuente de audio de 2 canales, el componente de baja frecuencia no se emite desde el subwoofer pero se emite desde el altavoz delantero.

Solución - Para emitir desde el subwoofer, cambie el ajuste del altavoz.

Método 1: Cambie el ajuste del altavoz delantero a **SMALL**.

El componente de baja frecuencia no se emite desde el altavoz delantero pero se emite desde el subwoofer. Cuando la capacidad de reproducción de baja frecuencia del altavoz frontal es alta, se recomienda no cambiar el ajuste.

Método 2: Cambie el ajuste del subwoofer a **PLUS**.

El componente de baja frecuencia se emite desde el altavoz delantero y el subwoofer. Por ese motivo, la emisión de sonidos bajos a veces es excesiva. En tal caso, se recomienda no cambiar al Método 1.

- Para conocer los detalles, consulte "Ajuste de altavoz" en las instrucciones de funcionamiento.
- Cuando no se emita ningún sonido, aumente el volumen a aproximadamente -30 dB.

Nota

- Cuando no se pueda utilizar el mando a distancia para controlar la unidad
- Cuando utilice el receptor, pulse **MAIN RECEIVER** antes de usarlo.
- Cuando controle funciones como la red, TUNER o iPod, pulse el botón de función adecuado (**NET**, **TUNER**, **iPod**, etc.) antes del uso.

Recepción de radio

1 Pulse **TUNER** para seleccionar el sintonizador.

Si es necesario, pulse **BAND** para cambiar la banda (FM o AM).

2 Pulse **TUNER +/-** para sintonizar una emisora.

- Pulse y mantenga pulsado **TUNE +/-** durante más o menos un segundo. El receptor empezará a buscar la siguiente emisora.
- Si está escuchando una emisora de FM pero la recepción es débil, pulse **MPX** para seleccionar FM MONO y ponga el receptor en el modo de recepción mono.

Presintonización de emisoras

Si escucha una emisora de radio en particular a menudo, puede ser conveniente almacenar la frecuencia de la emisora en el receptor para luego recuperarla fácilmente cada vez que desee escuchar dicha emisora.

1 Pulse **TOOLS** mientras recibe una señal de una emisora que quiera presintonizar.

El número de presintonización está parpadeando.

2 Pulse **PRESET +/-** para seleccionar la emisora que desea y luego pulse **ENTER**.

El número de presintonización deja de parpadear y el receptor almacena la emisora.

Cómo sintonizar emisoras memorizadas

Para poder utilizar esta función, primero deberá presintonizar alguna emisoras.

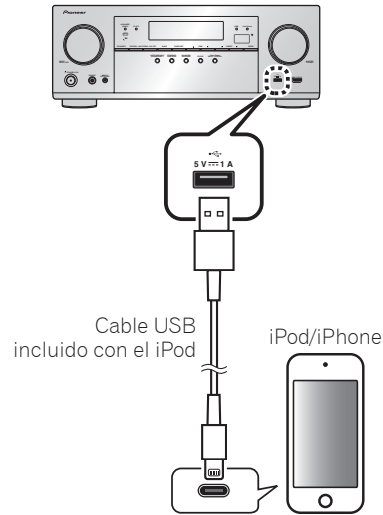
- Pulse **PRESET +/-** para seleccionar la emisora que desea sintonizar.

Reproducción de un iPod

- Es necesario esperar aproximadamente un minuto desde que se conecta la alimentación hasta que finaliza el inicio.

1 Conecte su iPod.

Al receptor se puede conectar un iPod/iPhone.



2 Pulse iPod USB para seleccionar la entrada iPod/USB.

Cuando la pantalla muestra los nombres de carpetas y archivos, usted puede empezar a reproducir música del iPod.

3 Utilice ↑/↓ para seleccionar una categoría y, a continuación, pulse ENTER para buscar esa categoría.

- Para volver al nivel anterior en cualquier momento, pulse RETURN.

4 Utilice ↑/↓ para examinar la categoría seleccionada (p. ej., álbumes).

- Utilice ←/→ para desplazarse al nivel anterior/posterior.

5 Siga buscando hasta que encuentre lo que quiere reproducir. A continuación, pulse ► para iniciar la reproducción.

Recepción de emisoras de radio de Internet

- Es necesario esperar aproximadamente un minuto desde que se conecta la alimentación hasta que finaliza el inicio.

📌 Importante

- Cuando use una conexión de Internet de banda ancha necesitará firmar un contrato con un proveedor de servicios de Internet. Para conocer más detalles, contacte al proveedor de servicios de Internet más cercano.
- Para escuchar emisoras de radio de Internet tendrá que tener acceso a Internet de banda ancha de alta velocidad. Con un modem de 56 K o ISDN tal vez no pueda disfrutar de todos los beneficios de la radio de Internet.
- El acceso al contenido provisto por terceros requiere una conexión a Internet de alta velocidad, y también puede que tenga que registrarse una cuenta y pagar una suscripción. Los servicios de contenido de terceros pueden ser cambiados, suspendidos, interrumpidos o finalizados en cualquier momento y sin previo aviso, y Pioneer no admite ninguna responsabilidad en tales casos. Pioneer no representa ni garantiza que los servicios de contenido continúen siendo provistos o estén disponibles durante un periodo de tiempo particular, y tampoco admite responsabilidad alguna, bien sea ésta expresa o implícita.

1 Pulse repetidamente NET para seleccionar la entrada INTERNET RADIO.

Este receptor puede tardar varios segundos en tener acceso a la red.

2 Use ↑/↓ para seleccionar la emisora de radio de Internet que va a reproducir y luego pulse ENTER.

Para disfrutar al máximo de las muchas funciones de la unidad

▼ Inicie AVNavigator y utilice la "Interactive Operation Guide".

▼ Cargue el CD-ROM en su ordenador y descargue el "Manual de instrucciones" (PDF) desde la pantalla de menú para leerlo.

Funciones

- Reproducción de un aparato USB
- Reproducción de música utilizando la tecnología inalámbrica Bluetooth
- Reproducción con la característica NETWORK
- Ajuste de las opciones de audio
- Ajuste de las opciones de vídeo
- Uso de los controles MULTI-ZONE

Preguntas más frecuentes

Glosario

Índice de características

📝 Nota

- Esta unidad es compatible con AirPlay. Para conocer los detalles, consulte "Usando AirPlay en iPod touch, iPhone, iPad e iTunes" de las instrucciones del manual de instrucciones y el sitio web de Apple (<http://www.apple.com>).
- El software de esta unidad se puede actualizar ("Actualización de software" de las instrucciones de uso). Con Mac OS, se puede actualizar mediante Safari ("Uso de Safari para actualizar el firmware" de las instrucciones de uso).

Многоканальное воспроизведение на данном аппарате можно легко запустить в 3 шага:

STEP 1 Подключение → **STEP 2** Первоначальная настройка → **STEP 3** Основные операции воспроизведения.

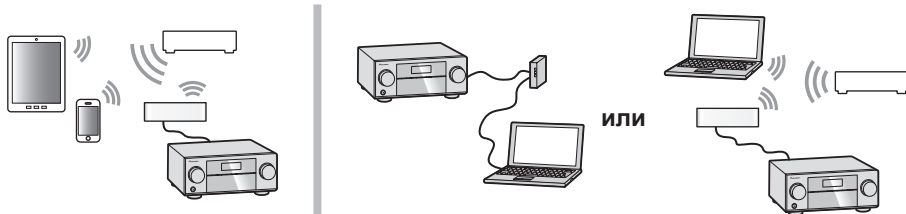
Подключение и первоначальную настройку можно выполнить в соответствии с данным Кратким руководством пользователя, но проще использовать **Wiring Navi** в AVNavigator.

Выполните подключение и первоначальную настройку любым из этих способов, в соответствии с условиями, в которых используется AVNavigator.

В дополнение к этому, использование **Interactive Operation Guide** в AVNavigator позволяет более эффективно ознакомиться с основными операциями.

Подключение и первоначальная настройка

Подключение и первоначальная настройка следуя инструкциям в «Wiring Navi» в AVNavigator
(Для первоначальной настройки требуется подключение к сети.)



Необходимо ознакомиться с пояснениями в указанном руководстве;

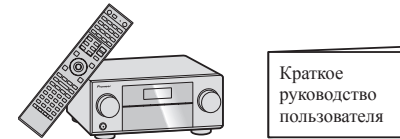
STEP 1 **STEP 2** описаны в **Wiring Navi**.

Перейдите к разделу “Использование встроенного AVNavigator” в данном руководстве.

Для **STEP 3** можно использовать **Interactive Operation Guide**.

Содержание содержит активные ссылки на интерфейс изделия, что позволяет лучше запомнить их во время чтения и эффективно пользоваться изделием, привыкнув к нему.

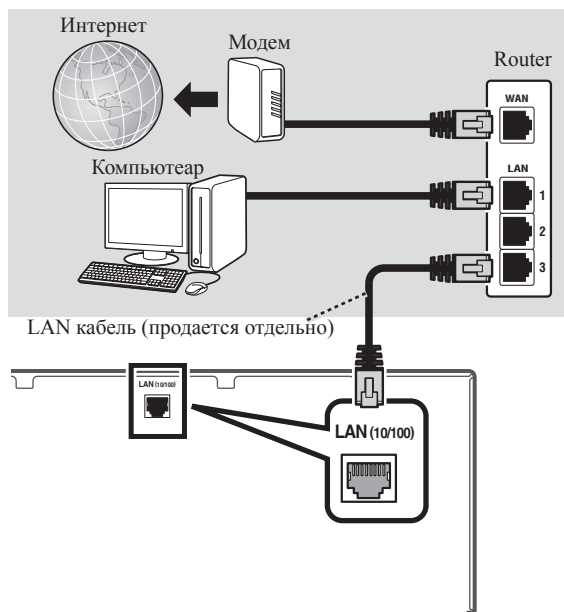
Подключение и первоначальная настройка в соответствии с данным Кратким руководством пользователя



Перейдите на **STEP 1** в данном руководстве.

Использование встроенного AVNavigator

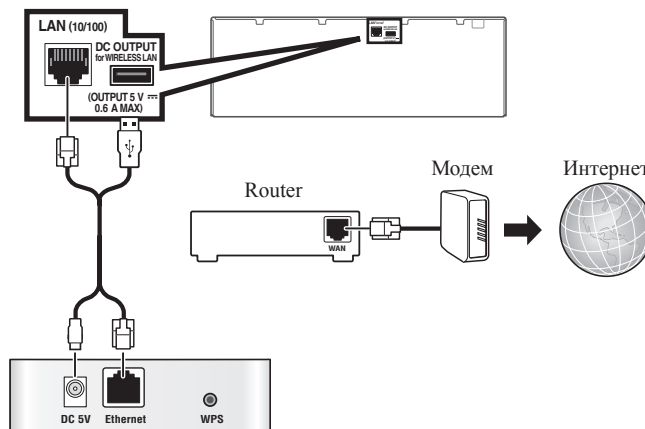
Подключение к сети через интерфейс LAN



Подключение беспроводной сети LAN

Можно выполнить беспроводное подключение к сети через беспроводное подключение LAN. Для подключения используйте продающийся отдельно AS-WL300.

- Используйте только поставляемый кабель для подключения аксессуаров.
- Для использования адаптера беспроводной сети LAN (AS-WL300) требуется выполнить определенные настройки. Подробнее о выполнении данных настроек см. инструкции по эксплуатации к адаптеру беспроводной сети LAN (AS-WL300).



Адаптер беспроводной сети LAN (AS-WL300)

Подключение ресивера к розетке

После подключения к беспроводной сети LAN подсоедините кабель питания ресивера к сети питания.

⚠ ПРЕДУПРЕЖДЕНИЕ

- Держите кабель питания за вилку. Вынимая вилку из розетки, никогда не тяните за сам кабель, никогда не дотрагивайтесь до кабеля питания влажными руками, так как это может стать причиной короткого замыкания и поражения электрическим током. Не допускайте установки на кабель питания самого аппарата, предметов мебели или других

предметов и его заземления любыми другими способами. Не допускайте образования на кабеле узлов или его спутывания с другими кабелями. Кабели питания следует прокладывать в таких местах, где возможность наступить на них будет маловероятной. Поврежденный кабель питания может стать причиной возгорания или поражения электрическим током. Периодически проверяйте кабель питания. Если обнаружится его повреждение, обратитесь в ближайший сервисный центр, уполномоченный компанией Pioneer, по поводу его замены.

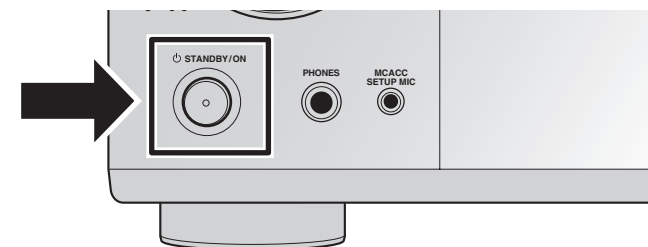
- Не используйте никакой другой кабель питания, кроме поставляемого с данным аппаратом.
- Не используйте поставляемый кабель питания для любой другой цели, кроме описанной ниже.
- Если ресивер не используется постоянно (например, вы уезжаете в отпуск), вытащите вилку кабеля питания из розетки.
- Перед отсоединением, убедитесь в том, что погас синий свет **STANDBY/ON**.

- 1 Подключите поставляемый кабель питания к разъему AC IN на задней стороне ресивера.
- 2 Подключите другой конец к розетке.

Включение питания

Нажмите **STANDBY/ON**, чтобы включить ресивер и компьютер.

Прежде чем выполнить следующую операцию, подождите несколько минут после включения питания.



Запуск встроенного AVNavigator

Пользуйтесь AVNavigator, следуя подсказкам на экране компьютера и т. п.

Рабочее окружение

- AVNavigator можно использовать в следующих средах.
 - Windows: Microsoft® Windows® XP/Windows Vista®/Windows® 7/Windows® 8/Windows® 8.1
 - Mac OS: Mac OSX (10.7, 10.8 или 10.9)
 - iPad/iPhone/iPod touch: iOS 7
 - Устройства Android: Android 4.0.4
- Некоторые функции AVNavigator используют Интернет-браузер. Поддерживаются следующие браузеры:
 - Windows: Internet Explorer® 8, 9, 10, 11
 - Mac OS/iPad/iPhone/iPod touch: Safari 6.0
 - Устройства Android: браузер Android
- Для использования некоторых функций AVNavigator необходимо установить новую версию Adobe® Flash® Player. Более подробную информацию см. на следующем веб-сайте.
<http://www.adobe.com/downloads/>
- В зависимости от настроек компьютерной сети или настроек безопасности AVNavigator может не работать.

При использовании Windows PC

- Запустите Internet Explorer и введите IP-адрес данного устройства в поле адреса Internet Explorer. (Зайдите на IP-адрес “http://”(IP-адрес ресивера) из браузера.) IP-адрес устройства можно вывести на экран передней панели, нажав кнопку **STATUS** на пульте ДУ.
- В ОС Windows, отличной от Windows XP, для запуска AVNavigator можно использовать следующий способ. Запустите Проводник и щелкните правой кнопкой мыши <VSX-924> в папке **‘Network’**, затем щелкните **‘View device webpage’**.



При использовании Mac

Запустите Safari и щелкните <VSX-924> в **‘Bonjour’** на панели закладок.



- Если **‘Bonjour’** не отображается, установите флажок **‘Include Bonjour in the Favorites bar’** на вкладке **‘Advanced’** в меню Safari **‘Preferences...’**.



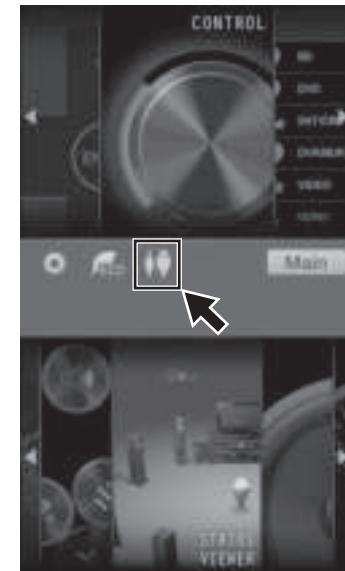
При использовании iPad/iPhone/iPod touch

Загрузите бесплатное приложение iControlAV5 из App Store. После запуска iControlAV5 следуйте инструкциям на экране. Затем, на основном экране, коснитесь значка **‘AVNavigator’**.

iPad



iPhone/iPod touch

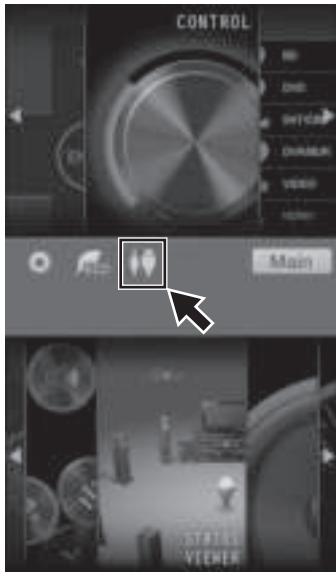


■ При использовании iPad

На iPad можно пользоваться AVNavigator for iPad. Загрузите AVNavigator for iPad из App Store. После запуска AVNavigator for iPad следуйте инструкциям на экране.

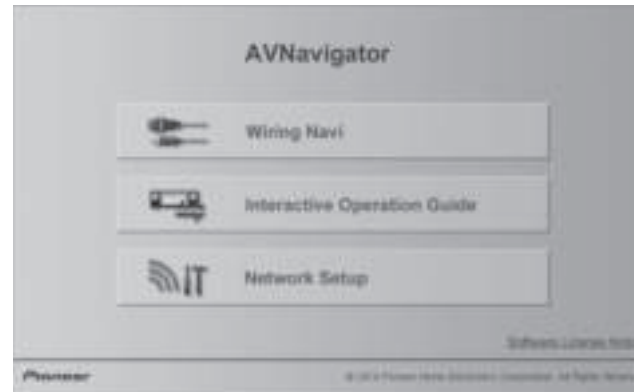
При использовании устройства Android

Загрузите бесплатное приложение iControlAV5 из Google Play Store. После запуска iControlAV5 следуйте инструкциям на экране. Затем, на основном экране, коснитесь соответствующего значка.



Об использовании Wiring Navi

Wiring Navi запускается при нажатии 'Wiring Navi' на экране AVNavigator.



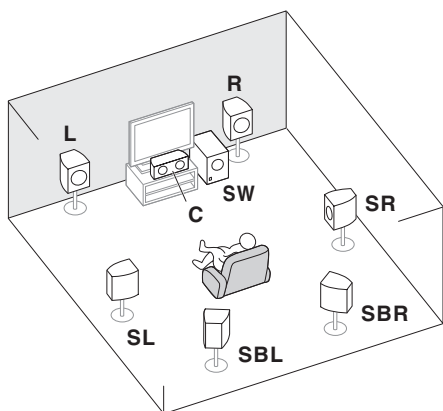
- По окончании подключения перейдите к **STEP 3**.

STEP 1 Подключение

Подключение громкоговорителей

Ресивер будет срабатывать только с двумя стереофоническими громкоговорителями (на рисунке передние громкоговорители), но рекомендуется как минимум использовать пять громкоговорителей, так как для объемного звучания будет наилучшим иметь полноценную установку.

Для получения достаточного объемного звучания установите громкоговорители как показано ниже.
7.1-канальная система объемного звучания:



- L – Передний левый громкоговоритель
- C – Центральный громкоговоритель
- R – Передний правый громкоговоритель
- SL – Левый громкоговоритель объемного звучания
- SR – Правый громкоговоритель объемного звучания
- SBL – Задний левый громкоговоритель объемного звучания
- SBR – Задний правый громкоговоритель объемного звучания
- SW – Низкочастотный громкоговоритель

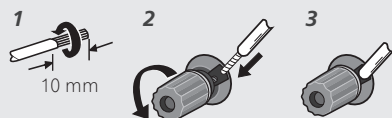
Примечание

- Существуют также другие схемы подключения громкоговорителей (передние верхние, передние боковые, др.). Подробную информацию см. в разделе “Подключение оборудования” инструкции по эксплуатации.

Подключение кабелей громкоговорителей

Будьте внимательны и подключите правый громкоговоритель к правому (R) терминалу и левый громкоговоритель к левому (L) терминалу. Также убедитесь в том, что положительный и отрицательный (+/-) терминалы на ресивере совпадают с терминалами на громкоговорителях.

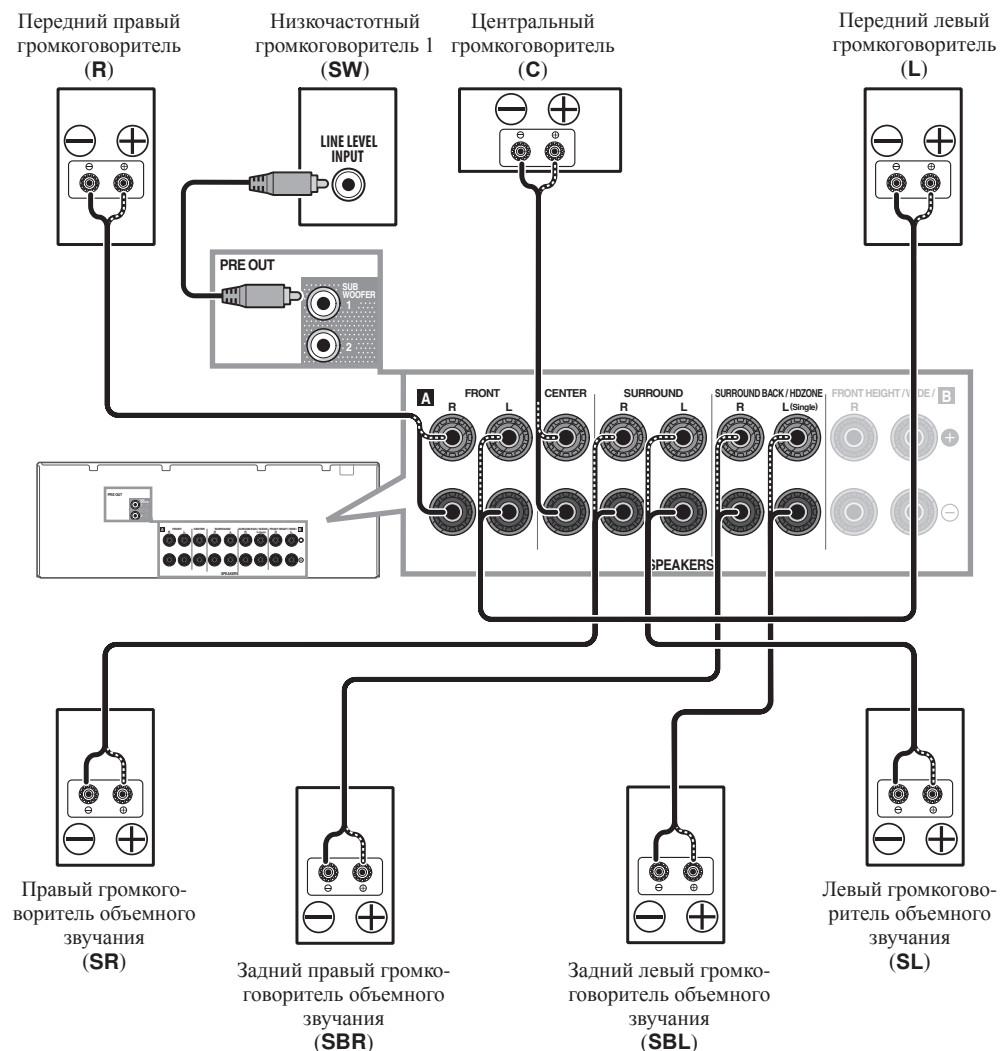
- 1 Скрутите оголенные жилы провода.
- 2 Освободите терминал и вставьте оголенный провод.
- 3 Закрутите терминал.



ПРЕДУПРЕЖДЕНИЕ

- Перед выполнением или изменением подключений, отключите питание и отсоедините кабель питания от розетки переменного тока.
- Данные терминалы громкоговорителей содержат **ОПАСНОЕ ДЛЯ ЖИЗНИ** напряжение. Во избежание риска электрошока при подключении или отсоединении кабелей громкоговорителей, перед прикосновением к любым неизолированным частям, отсоедините кабель питания.

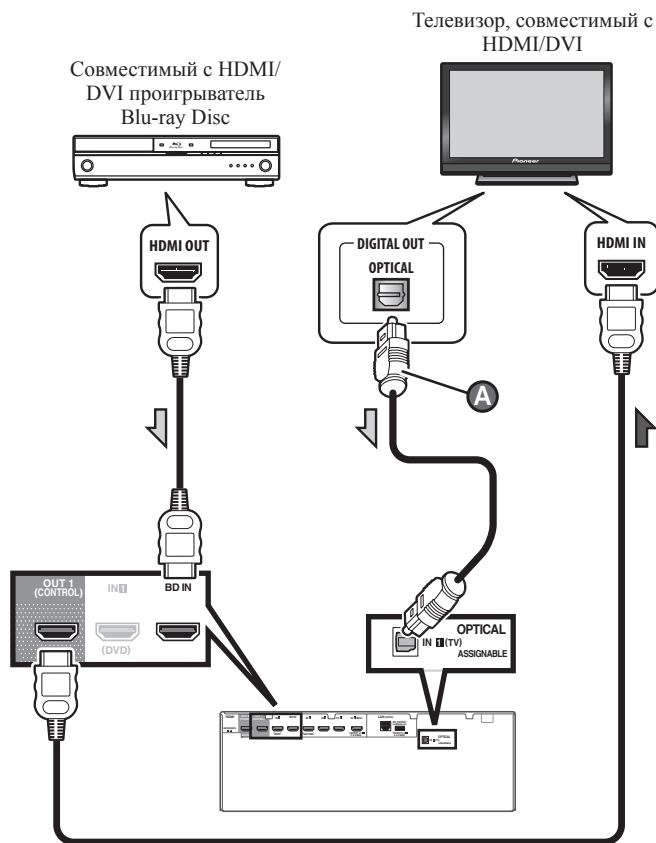
После установки громкоговорителей подключите их как показано ниже.



Примечание

- При подключении только одного заднего громкоговорителя объемного звучания, подключите его к терминалам **SURROUND BACK L (Single)**.
- Данный аппарат поддерживает громкоговорители с номинальным сопротивлением от 6 Ω до 16 Ω.

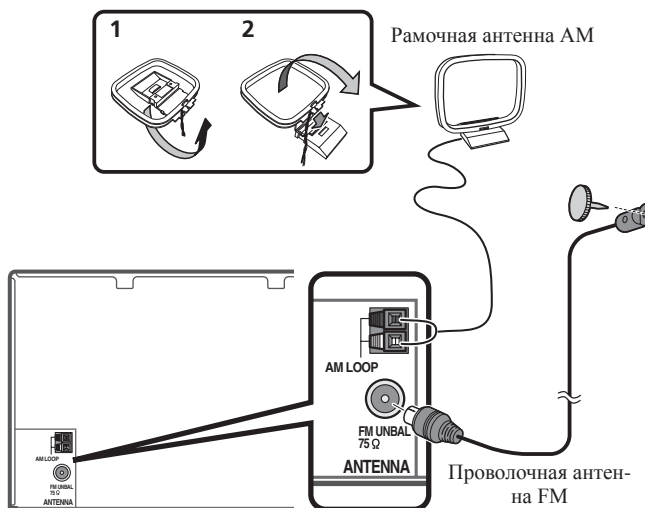
Подключение телевизора и компонентов воспроизведения



- Если телевизор не поддерживает функцию Канала возврата аудиосигнала на HDMI, требуется выполнить подключение через оптический цифровой кабель (A), чтобы можно было прослушивать звучание телевизора через ресивер.
- Если телевизор поддерживает функцию Канала возврата аудиосигнала на HDMI, звучание телевизора поступает на ресивер через терминал HDMI, поэтому нет необходимости подключать оптический цифровой кабель (A). В таком случае установите **ARC в HDMI Setup на ON**. Подробную информацию см. в разделе “*Настройка HDMI*” инструкций по эксплуатации.
- Указания по подключению и настройке телевизора, пожалуйста, смотрите в руководстве по эксплуатации к телевизору.

- Если используются значения по умолчанию, видео через терминал HDMI через видеокабель или компонентный кабель выводиться не будет. Для вывода видео нужно переключить вход видео на устройство, подключенное с помощью видеокабеля или компонентного кабеля, а затем выбрать для параметра **V.CONV** значение **ON**. Подробную информацию см. в разделе “*Настройка видеоопций*” инструкций по эксплуатации.

Подключение антенн



Примечание

- Если нужно подключить телевизор или компонент воспроизведения другим образом, а не через подключение HDMI, то смотрите инструкции по эксплуатации на поставляемом CD-ROM.
- Для подключения других устройств смотрите инструкции по эксплуатации на поставляемом CD-ROM.

Подключение ресивера к розетке

Подключайте ресивер к розетке только после подключения к нему всех компонентов, в том числе и громкоговорителей.

ПРЕДУПРЕЖДЕНИЕ

- Держите кабель питания за вилку. Вынимая вилку из ро-

зетки, никогда не тяните за сам кабель, никогда не дотрагивайтесь до кабеля питания влажными руками, так как это может стать причиной короткого замыкания и поражения электрическим током. Не допускайте установки на кабель питания самого аппарата, предметов мебели или других предметов и его заземления любыми другими способами. Не допускайте образования на кабеле узлов или его спутывания с другими кабелями. Кабели питания следует прокладывать в таких местах, где возможность наступить на них будет маловероятной. Поврежденный кабель питания может стать причиной возгорания или поражения электрическим током. Периодически проверяйте кабель питания. Если обнаружится его повреждение, обратитесь в ближайший сервисный центр, уполномоченный компанией Pioneer, по поводу его замены.

- Не используйте никакой другой кабель питания, кроме поставляемого с данным аппаратом.
- Не используйте поставляемый кабель питания для любой другой цели, кроме описанной ниже.
- Если ресивер не используется постоянно (например, вы уезжаете в отпуск), вытащите вилку кабеля питания из розетки.
- Перед отсоединением, убедитесь в том, что погас синий свет **STANDBY/ON**.

- 1 Подключите поставляемый кабель питания к разъему **AC IN** на задней стороне ресивера.
- 2 Подключите другой конец к розетке.

ОБЯЗАТЕЛЬНАЯ ВЕНТИЛЯЦИЯ

При установке устройства обеспечьте достаточное пространство для вентиляции во избежание повышения температуры внутри устройства (не менее 40 см сверху, 10 см сзади и по 20 см слева и справа).

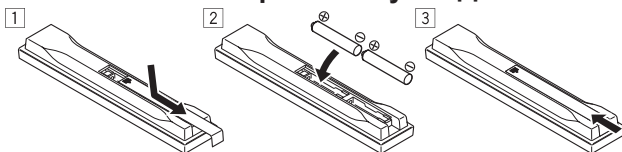
ПРЕДУПРЕЖДЕНИЕ

В корпусе устройства имеются щели и отверстия для вентиляции, обеспечивающие надежную работу изделия и защищающие его от перегрева. Во избежание пожара эти отверстия ни в коем случае не следует закрывать или заслонять другими предметами (газетами, скатертями и шторами) или устанавливать оборудование на толстом ковре или постели.

STEP 2 Первоначальная настройка

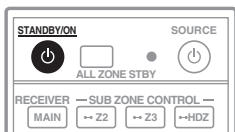
Перед началом работы

1 Установите батарейки в пульт ДУ.



Батарейки, поставляемые с данным аппаратом, предназначены для проверки первоначальных функций управления; их может не хватить надолго. Рекомендуется использовать щелочные батарейки, которые обладают продолжительным сроком службы.

2 Включите ресивер и используемый телевизор.



3 Переключайте вход телевизора до тех пор, пока он не подключится к ресиверу.

4 Включите низкочастотный громкоговоритель и поднимите уровень громкости.

⚠ ПРЕДУПРЕЖДЕНИЕ

- Не используйте или храните батарейки в местах, подвергнутых прямому падению солнечных лучей, или других предельно жарких местах, например, внутри машины или возле обогревателя. Это может вызвать протекание, разрыв или возгорание батареек. Это также может привести к уменьшению срока службы и отразиться на работе батареек.

⚠ ПРЕДУПРЕЖДЕНИЕ

- При установке батареек соблюдайте меры предосторожности, чтобы не повредить пружины на терминалах батареек (-). Это может привести к протеканию или перегреву.
- Избавляясь от использованных батареек, выполняйте действующие в вашей стране или регионе требования правительственных предписаний или соблюдайте правила, установленные общественной природоохранной организацией.

Автоматическая настройка объемного звучания (MCACC)

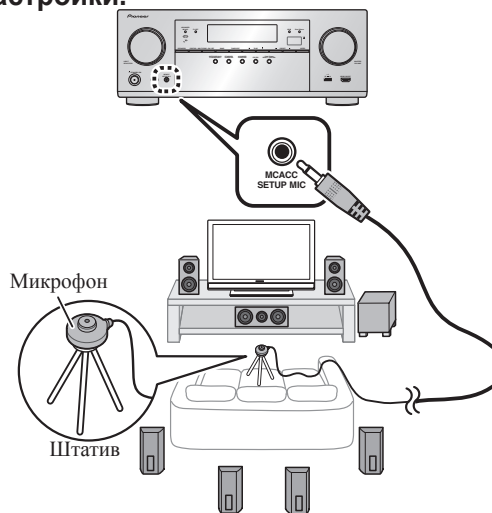
Настройка Auto Multi-Channel ACoustic Calibration (MCACC) с помощью поставляемого микрофона настройки измеряет и анализи-

рует тестовые тональные сигналы, выводимые громкоговорителями. Данная настройка позволяет автоматически и с высокой точностью выполнять измерения и настройки; ее использование позволяет создать оптимальную среду прослушивания для пользователя.

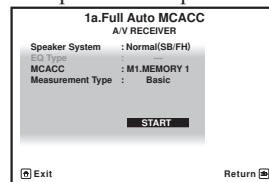
📌 Важное предупреждение

- Выполняйте измерения соблюдая тишину.
- Если у вас есть штатив, используйте его для установки микрофона приблизительно на уровне уха на обычном месте слушателя. В противном случае разместите микрофон на уровне уха на столе или стуле.
- Наличие препятствий между громкоговорителями и местом слушателя (микрофоном) может препятствовать точному измерению.
- Во время измерения следует находиться вне места слушателя и управлять от пульта ДУ за пределами зоны расположения всех громкоговорителей.

1 Подключите поставляемый микрофон настройки.



На телевизоре отображается экран Full Auto MCACC.



2 Нажмите MAIN RECEIVER на пульте ДУ и начните работу.

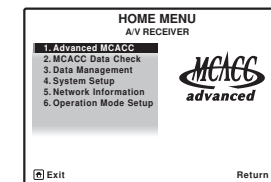
- Если курсор находится на **Measurement Type** и выбрано **Basic**, то параметры **Speaker Setting/Channel Level/Speaker Distance** настраиваются автоматически. Выбор функции **Expert** также позволяет автоматически настраивать параметры **Standing Wave/Acoustic Cal EQ** (частотные характеристики).

3 Установите курсор на START и нажмите кнопку ENTER.

- Запускается автоматическое измерение.
- Измерение займет примерно от 3 до 12 минут.

4 Следуйте инструкциям, отображаемым на экране.

- Автоматическая настройка завершается при отображении экрана Home Menu.

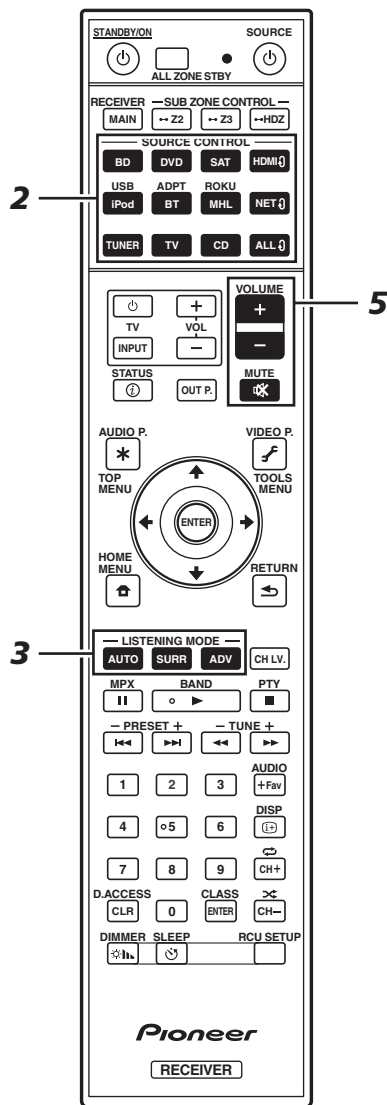


- Если отображается Reverse Phase, это значит, что провода громкоговорителя могли быть подключены наоборот (+ и -). Проверьте подключения громкоговорителей. Даже если подключения выполнены правильно, в зависимости от громкоговорителя и окружающей среды может отображаться **Reverse Phase**, это не влияет на измерения, поэтому выберите **Go Next**.
- Если происходит сбой питания, причиной этого может быть то, что жила кабеля громкоговорителя касается задней панели или проводники (+) и (-), что вызывает срабатывание цепи защиты. Заново скрутите жилы кабеля и подсоедините кабель таким образом, чтобы они не выступали из разъема громкоговорителя.

5 Убедитесь, что микрофон настройки отсоединен.

STEP 3 Основные операции воспроизведения

Многоканальное воспроизведение



1 Включите компонент воспроизведения.

Напр.) Включите проигрыватель Blu-ray Disc, подключенный к терминалу HDMI BD IN.

2 Переключите вход на ресивере.

Напр.) Нажмите **BD** и выберите вход **BD**.

3 Нажимая **AUTO**, выберите «**AUTO SURROUND**».

Также нажмите **SURR** или **ADV** для многоканального воспроизведения. Выберите нужный режим прослушивания.

4 Запустите воспроизведение на компоненте воспроизведения.

Напр.) Запустите воспроизведение на проигрывателе Blu-ray Disc.

5 С помощью **VOLUME +/-** отрегулируйте уровень громкости.

- Если звук не воспроизводится через средние и задние громкоговорители, нажмите **SURR** и **ADV**, чтобы изменить режим прослушивания. Пример:) Нажмите кнопку **ADV** несколько раз, чтобы выбрать **EXT.STEREO**.
- Если звук не воспроизводится через сабвуфер
Причина – Для переднего громкоговорителя установлено LARGE.

Если ко входу подключен 2-канальный аудиосource, низкочастотный компонент выводится не через сабвуфер, а через передний громкоговоритель.

Решение – Для вывода звука через сабвуфер измените настройки громкоговорителя.

Метод 1: измените настройку переднего громкоговорителя на **SMALL**.

Низкочастотный компонент выводится не через передний громкоговоритель, а через сабвуфер. Если мощность переднего громкоговорителя достаточна для воспроизведения низких частот, настройку менять не рекомендуется.

Метод 2: измените настройку сабвуфера на **PLUS**.

Низкочастотный компонент выводится и через передний громкоговоритель, и через сабвуфер. По этой причине громкость низкочастотных звуков может быть слишком высока. В этом случае эту настройку рекомендуется не применять или использовать Метод 1.

- Подробную информацию см. в разделе “*Настройка громкоговорителей*” инструкции по эксплуатации.
- Если звук не выводится, увеличьте громкость до прил. -30 дБ.

Примечание

- Если для управления устройством нельзя использовать пульт

дистанционного управления

- Если управление производится с ресивера, перед началом работы нажмите **MAIN RECEIVER**.
- При использовании таких функций как сеть, TUNER или iPod перед началом работы нажмите соответствующую кнопку (**NET**, **TUNER**, **iPod**).

Прослушивание радиопередач

1 Нажмите **TUNER** для выбора тюнера.

При необходимости нажмите **BAND** для переключения диапазона (FM или AM).

2 Нажав **TUNE +/-**, настройтесь на радиостанцию.

- Нажмите и удерживайте нажатой **TUNE +/-** примерно секунду. Ресивер начнет поиск следующей радиостанции.
- При плохом приеме прослушиваемой радиостанции FM нажмите **MPX** и выберите FM MONO, чтобы установить ресивер в режим монофонического приема.

Сохранение предустановленных радиостанций

Если вы часто слушаете какую-либо определенную радиостанцию, очень удобно, если она будет сохранена в памяти ресивера для последующего ее быстрого вызова в любой момент с целью прослушивания.

1 Нажмите **TOOLS** во время приема сигнала с радиостанции, которую нужно сохранить.

Мигает номер предустановки.

2 Нажимая **PRESET +/-**, выберите нужный номер предустановки для радиостанции, затем нажмите **ENTER**.

Номер предустановки перестает мигать и ресивер запоминает радиостанцию.

Прослушивание предустановленных радиостанций

Для этого требуется, чтобы имелись некоторые предустановленные радиостанции.

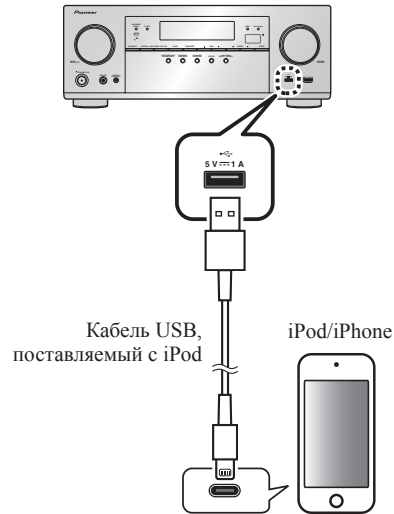
- Нажимая **PRESET +/-**, выберите нужную предустановленную радиостанцию.

Воспроизведение iPod

- Для включения питания и завершения инициализации требуется около одной минуты.

1 Подключите iPod.

К ресиверу можно подключать iPod/iPhone.



2 Нажав iPod USB, выберите вход iPod/USB.

После отображения на дисплее названий папок и файлов можно будет воспроизводить музыку от iPod.

3 С помощью ↑/↓ выберите категорию, затем нажмите ENTER для пролистывания этой категории.

- Для возврата на предыдущий уровень в любой момент времени нажмите RETURN.

4 С помощью ↑/↓ для пролистывания выбранной категории (напр., альбомы).

- Для перемещения на предыдущий/следующий уровень используйте ←/→.

5 Продолжайте пролистывание до тех пор, пока не будет выбран материал, который необходимо воспроизвести, затем нажмите ► для запуска воспроизведения.

Прослушивание Интернет-радиостанций

- Для включения питания и завершения инициализации требуется около одной минуты.

Важное предупреждение

- При использовании широкополосного подключения к Интернету, в случае необходимости свяжитесь с провайдером Интернет услуги. Подробнее, свяжитесь с ближайшим провайдером Интернет услуги.
- Для прослушивания Интернет-радиостанций требуется высокоскоростной широкополосный доступ в Интернет. При использовании 56 K или ISDN модема, использование всех функций Интернет-радиостанций может быть невозможным.
- Доступ к материалу от третьих сторон требует высокоскоростного подключения к Интернету и может также потребовать регистрацию аккаунта и платную подписку. Услуги по материалам от третьих сторон могут изменяться, приостанавливаться, прерываться или прекращать предоставляться в любое время без уведомления, и Pioneer не несет никакой ответственности в таких случаях. Pioneer не заверяет или гарантирует, что услуги по предоставлению материалов будут продолжаться или будут доступны на определенный период времени, и любая такая гарантия, выраженная или подразумеваемая, не будет признаваться.

1 Повторно нажимая NET, выберите вход INTERNET RADIO.

До доступа к сети, данному ресиверу может потребоваться несколько секунд.

2 С помощью ↑/↓ выберите Интернет-радиостанцию для воспроизведения, и затем нажмите ENTER.

Максимальное использование всевозможных функций аппарата

▶ Запустите AVNavigator и используйте "Interactive Operation Guide".

▶ Установите CD-ROM в компьютер и загрузите для чтения "Инструкции по эксплуатации" (PDF) с экрана меню.

Функции

- Воспроизведение устройства USB
- Воспроизведение музыки с использованием беспроводной технологии Bluetooth
- Воспроизведение с помощью функции NETWORK
- Настройка аудиоопций
- Настройка видеоопций
- Использование органов управления MULTI-ZONE

Часто задаваемые вопросы

Справочник

Указатель функций

Примечание

- Данное устройство поддерживает AirPlay. Подробную информацию см. в разделе "Использование AirPlay на iPod touch, iPhone, iPad и iTunes" инструкций по эксплуатации и на сайте Apple (<http://www.apple.com>).
- Программное обеспечение данного устройства можно обновлять ("Обновление программного обеспечения" в инструкциях по эксплуатации). В Mac OS его можно обновить с помощью Safari ("Обновление встроенного программного обеспечения с помощью Safari" в инструкциях по эксплуатации).

Устранение неполадок

Неправильные действия пользователя зачастую принимают за сбои и неполадки. Если вы считаете, что в компоненте возникли неисправности, проверьте пункты, перечисленные в Инструкциях по эксплуатации на диске CD-ROM, входящем в комплект поставки. Иногда причиной неисправности может быть другой компонент. Внимательно проверьте остальные используемые компоненты и электроприборы. Если неполадку не удастся устранить даже после выполнения указанных ниже действий, обратитесь в ближайшую независимую сервисную компанию, уполномоченную компанией Pioneer для выполнения ремонта.

- В случае некорректной работы аппарата, вызванной внешними источниками, например статическим электричеством, выньте вилку из розетки и подключите ее снова, чтобы восстановить нормальные условия эксплуатации.

Если не удастся устранить неисправность после выполнения шагов ниже, если экран внезапно застывает или перестают полностью работать кнопки на пульте ДУ или передней панели, выполните следующее:

- Нажмите **⏻ STANDBY/ON** на передней панели и отключите питание, затем снова включите питание.

Если это не решило проблему, то снова отключите питание затем нажмите и удерживайте нажатой кнопку **⏻ STANDBY/ON** на передней панели как минимум 5 секунд. (Питание включается, затем отключается через 5 секунд.)

- Если невозможно отключить питание, нажмите и удерживайте **⏻ STANDBY/ON** на передней панели на более чем 5 секунд. Питание будет отключено. В таком случае могут быть удалены различные настройки, произведенные на ресивере. (Однако настройки, выполненные тогда, когда питание было отключено как обычно не удаляются.)

Технические характеристики

Раздел аудио

Номинальная выходная мощность (1 кГц, 6 Ω, 1 %)	
Передний, центральный, объемного звучания, задний объемного звучания	150 Ватт на канал
Номинальная выходная мощность (20 Гц до 20 кГц, 8 Ω, 0,09 %)	
Передний, центральный, объемного звучания, задний объемного звучания	105 Ватт на канал
Для модели для Океании: Максимальная выходная мощность (1 кГц, 6 Ω, 10 %)	
Передний, центральный, объемного звучания, задний объемного звучания	160 Ватт на канал
Полный коэффициент гармонических искажений	0.06 % (от 20 Гц до 20 кГц, 50 Ватт/канал, 8 Ω)
Гарантированное сопротивление громкоговорителей	6 Ω до 16 Ω
Соотношение сигнал-шум (IHF, короткозамкнутый, сеть А)	
LINE	100 дБ
Частотная характеристика	5 Гц до 100 000 Гц $\pm 0, -3$ дБ (Режим Pure Direct)
Вход (Чувствительность/Сопротивление)	
LINE	315 мВ/47 кΩ

Раздел тюнера

Частотный диапазон (FM)	87.5 МГц до 108 МГц
Вход антенны (FM)	75 Ω несбалансированный
Частотный диапазон (AM)	531 кГц до 1 602 кГц
Антенна (AM)	Рамочная антенна (сбалансированная)

Раздел видео

Уровень сигнала	
Композитное видео	1 Vp-p (75 Ω)
Компонентное видео	Y: 1,0 Vp-p (75 Ω), PB/PR: 0,7 Vp-p (75 Ω)
Соответствующее максимальное разрешение	
Компонентное видео	1080p (1125p)

Раздел Bluetooth

Версия	Спецификация Bluetooth версии 3.0
Выход	Стандарт Bluetooth класс 2
Приблизительная дальность передачи по линии прямой видимости*	Примерно 10 м
* Дальность передачи по линии прямой видимости указана приблизительно. Реальные поддерживаемые расстояния передачи могут различаться в зависимости от условий окружающей среды.	
Диапазон частот	2,4 ГГц
Система модуляции	FH-SS (Frequency Hopping Spread Spectrum)
Поддержка профилей Bluetooth	A2DP, AVRCP
Поддержка кодеков	SBC (Subband Codec), AAC, aptX
Поддерживаемая защита материала	SCMS-T

Раздел цифрового входа/выхода

Терминал HDMI	19-контактный (He DVI)
Выход HDMI	5 В, 100 мА
Вход HDMI/терминал MHL	5 В, 900 мА
Терминал USB	USB2.0 High Speed (Type A) 5 В, 1 А
Терминал iPod	USB, и Video (Composite)
Терминал WIRELESS LAN ADAPTER	5 В, 600 мА

Раздел интегрированного управления

Терминал управления (IR)	Ø 3,5 мини-джек (MONO)
Сигнал IR	(Максимальный уровень: 2,0 В)

Раздел сети

Терминал LAN	10 BASE-T/100 BASE-TX
--------------	-----------------------

Остальное

Требования к питанию	от 220 В до 230 В переменного тока, 50 Гц/60 Гц
Энергопотребление	550 Ватт
В режиме ожидания	0.1 Ватт
В режиме ожидания (управление HDMI включено)	0.3 Вт
В режиме ожидания (сеть включена)	2.0 Вт
В режиме ожидания (управление HDMI включено, сеть включена)	2.5 Вт
В режиме ожидания (управление HDMI выключено, сеть включена, беспроводная сеть подключена)	3.5 Вт
В режиме ожидания (управление HDMI включено, сеть включена, беспроводная сеть подключена)	3.5 Вт
Активация и деактивация беспроводной сети	Подключение/отключение преобразователя беспроводной сети (AS-WL300 или AXF7031)
Автоматическое отключение питания	15 мин. (по умолчанию), 30 мин., 60 мин., выкл.
Габариты	435 мм (Ш) x 168 мм (В) x 363 мм (Г)
Вес (без упаковки)	9.8 кг

Комплектация

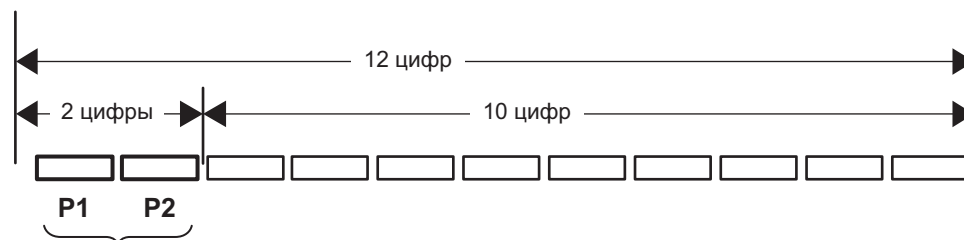
Микрофон настройки MCACC	1
Пульт ДУ	1
Сухие батарейки IEC R03 размера AAA	2
Рамочная антенна AM	1
Проволочная антенна FM	1
Гарантийный талон	1
Кабель питания	
CD-ROM	
Краткое руководство пользователя	
Брошюра по безопасности	

Примечание

- Данные технические характеристики применимы при электропитании 230 В.
- В связи с усовершенствованиями технические характеристики и конструкция могут изменяться без предварительного уведомления.

Дату изготовления оборудования можно определить по серийному номеру, который содержит информацию о месяце и годе производства.

Серийный номер



Дата изготовления оборудования

P1 - Год изготовления

Год	2001	2002	2003	2004	2005	2006	2007	2008	2009	2010
Символ	A	B	C	D	E	F	G	H	I	J

Год	2011	2012	2013	2014	2015	2016	2017	2018	2019	2020
Символ	K	L	M	N	O	P	Q	R	S	T

P2 - Месяц изготовления

Месяц	1	2	3	4	5	6	7	8	9	10	11	12
Символ	A	B	C	D	E	F	G	H	I	J	K	L

D3-7-10-7_A1_Ru

Declaration of Conformity with regard to the R&TTE Directive 1999/5/EC

Manufacturer:

PIONEER HOME ELECTRONICS CORPORATION

1-1, Shin-ogura, Saiwai-ku,
Kawasaki-shi, Kanagawa
212-0031, Japan

EU Representative's:

Pioneer Europe NV

Haven 1087, Keetberglaan 1,
9120 Melsele, Belgium
<http://www.pioneer.eu>



[*] VSX-924-K, VSX-924-S

English:

Hereby, Pioneer, declares that this [*] is in compliance with the essential requirements and other relevant provisions of Directive 1999/5/EC.

Suomi:

Pioneer vakuuttaa täten että [*] tyypinen laite on direktiivin 1999/5/EY oleellisten vaatimusten ja sitä koskevien direktiivin muiden ehtojen mukainen.

Nederlands:

Hierbij verklaart Pioneer dat het toestel [*] in overeenstemming is met de essentiële eisen en de andere relevante bepalingen van richtlijn 1999/5/EG

Français:

Par la présente Pioneer déclare que l'appareil [*] est conforme aux exigences essentielles et aux autres dispositions pertinentes de la directive 1999/5/CE

Svenska:

Härmed intygar Pioneer att denna [*] står i överensstämmelse med de väsentliga egenskapskrav och övriga relevanta bestämmelser som framgår av direktiv 1999/5/EG.

Dansk:

Undertegnede Pioneer erklærer herved, at følgende udstyr [*] overholder de væsentlige krav og øvrige relevante krav i direktiv 1999/5/EF

Deutsch:

Hiermit erkläre Pioneer, dass sich dieses [*] in Übereinstimmung mit den grundlegenden Anforderungen und den anderen relevanten Vorschriften der Richtlinie 1999/5/EG befindet". (BMW)

Ελληνικά:

Με την παρούσα Pioneer δηλώνει ότι [*] συμμορφώνεται με τις απαιτήσεις που ορίζονται στην οδηγία 1999/5/ΕΚ. (BMW)

Italiano:

Con la presente Pioneer dichiara che questo [*] è conforme ai requisiti essenziali ed alle altre disposizioni pertinenti stabilite dalla direttiva 1999/5/CE.

Español:

Por medio de la presente Pioneer declara que el [*] cumple con los requisitos esenciales y cualesquiera otras disposiciones aplicables o exigibles de la Directiva 1999/5/CE

Português:

Pioneer declara que este [*] está conforme com os requisitos essenciais e outras disposições da Directiva 1999/5/CE.

Čeština:

Pioneer tímto prohlašuje, že tento [*] je ve shodě se základními požadavky a dalšími příslušnými ustanoveními směrnice 1999/5/ES

Eesti:

Käesolevaga kinnitab Pioneer seadme [*] vastavust direktiivi 1999/5/EÜ põhinõuetele ja nimetatud direktiivist tulenevatele teistele asjakohastele sätetele.

Magyar:

Alulírott, Pioneer nyilatkozom, hogy a [*] megfelel a vonatkozó alapvető követelményeknek és az 1999/5/EC irányelv egyéb előírásainak.

Latviešu valoda:

Ar šo Pioneer deklarē, ka [*] atbilst Direktīvas 1999/5/EK būtiskajām prasībām un citiem ar to saistītajiem noteikumiem.

Lietuvių kalba:

Šiuo Pioneer deklaruoja, kad šis [*] atitinka esminius reikalavimus ir kitas 1999/5/EB Direktyvos nuostatas.

Malti:

Hawnhekk, Pioneer jiddikjara li dan [*] jikkonforma mal-ħtiġijiet essenzjali u ma provvedimenti oħrajn rilevanti li hemm fid-Dirrettiva 1999/5/EC

Slovenčina:

Pioneer týmto vyhlasuje, že [*] spĺňa základné požiadavky a všetky príslušné ustanovenia Smernice 1999/5/ES.

Slovenščina:

Pioneer izjavlja, da je ta [*] v skladu z bistvenimi zahtevami in ostalimi relevantnimi določili direktive 1999/5/ES.

Română:

Prin prezenta, Pioneer declara ca acest [*] este in conformitate cu cerintele esentiale si alte prevederi ale Directivei 1999/5/EU.

Български:

С настоящето, Pioneer декларира, че този [*] отговаря на основните изисквания и други съответни постановления на Директива 1999/5/EC.

Polski:

Niniejszym Pioneer oświadcza, że [*] jest zgodny z zasadniczymi wymogami oraz pozostałymi stosownymi postanowieniami Dyrektywy 1999/5/EC

Norsk:

Pioneer erklærer herved at utstyret [*] er i samsvar med de grunnleggende krav og øvrige relevante krav i direktiv 1999/5/EF.

Íslenska:

Hér með lýsir Pioneer yfir því að [*] er í samræmi við grunnkröfur og aðrar kröfur, sem gerðar eru í tilskipun 1999/5/EC

Hrvatski:

Ovime tvrtka Pioneer izjavljue da je ovaj [*] u skladu osnovnim zahtjevima i ostalim odredbama Direktive 1999/5/EC.

Примечание:

В соответствии со статьей 5 Закона Российской Федерации "О защите прав потребителя" и Указанием Правительства Российской Федерации № 720 от 16 июня 1997 года корпорация Pioneer Europe NV устанавливает условия на следующую продолжительность срока службы официально предоставляемых на Российский рынок товаров.

Аудио и видеооборудование: 7 лет

Переносные аудиооборудование: 6 лет

Другое оборудование (наушники, микрофон и т.д.): 5 лет

Автомобильная электроника: 6 лет

D3-7-10-6_A1_Ru

<http://www.pioneer.co.uk>

<http://www.pioneer.fr>

<http://www.pioneer.de>

<http://www.pioneer.it>

<http://www.pioneer.nl> - <http://www.pioneer.be>

<http://www.pioneer.es>

<http://www.pioneer-rus.ru>

<http://www.pioneer.eu>

© 2014 PIONEER HOME ELECTRONICS CORPORATION.
All rights reserved.

© 2014 PIONEER HOME ELECTRONICS CORPORATION.
Tous droits de reproduction et de traduction réservés.

PIONEER HOME ELECTRONICS CORPORATION

1-1, Shin-ogura, Saiwai-ku, Kawasaki-shi, Kanagawa 212-0031, Japan

Корпорация Пайонир Хоум Электроникс

1-1, Син-Огура, Сайвай-ку, г. Кавасаки, префектура Канагава, 212-0031, Япония

Импортер: ООО "ПИОНЕР РУС"

125040, Россия, г. Москва, ул. Правды, д.26 Тел.: +7(495) 956-89-01

PIONEER ELECTRONICS (USA) INC.

P.O. BOX 1540, Long Beach, California 90801-1540, U.S.A. TEL: (800) 421-1404

PIONEER ELECTRONICS OF CANADA, INC.

340 Ferrier Street, Unit 2, Markham, Ontario L3R 2Z5, Canada TEL: 1-877-283-5901, 905-479-4411

PIONEER EUROPE NV

Haven 1087, Keetberglaan 1, B-9120 Melsele, Belgium TEL: 03/570.05.11

PIONEER ELECTRONICS ASIACENTRE PTE. LTD.

253 Alexandra Road, #04-01, Singapore 159936 TEL: 65-6472-7555

PIONEER ELECTRONICS AUSTRALIA PTY. LTD.

5 Arco Lane, Heatherton, Victoria, 3202, Australia, TEL: (03) 9586-6300

PIONEER ELECTRONICS DE MEXICO S.A. DE C.V.

Bldv. Manuel Avila Camacho 138 10 piso Col.Lomas de Chapultepec, Mexico, D.F. 11000 TEL: 55-9178-4270

K002*_B5_Ru