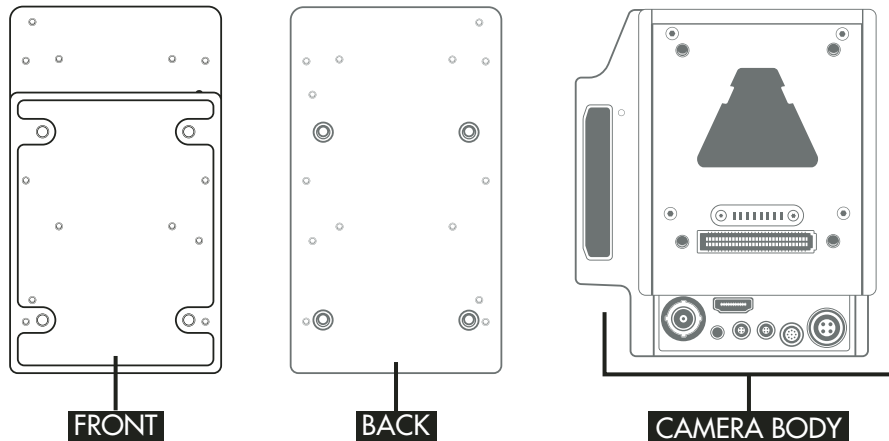


FIXED BACK

Included:

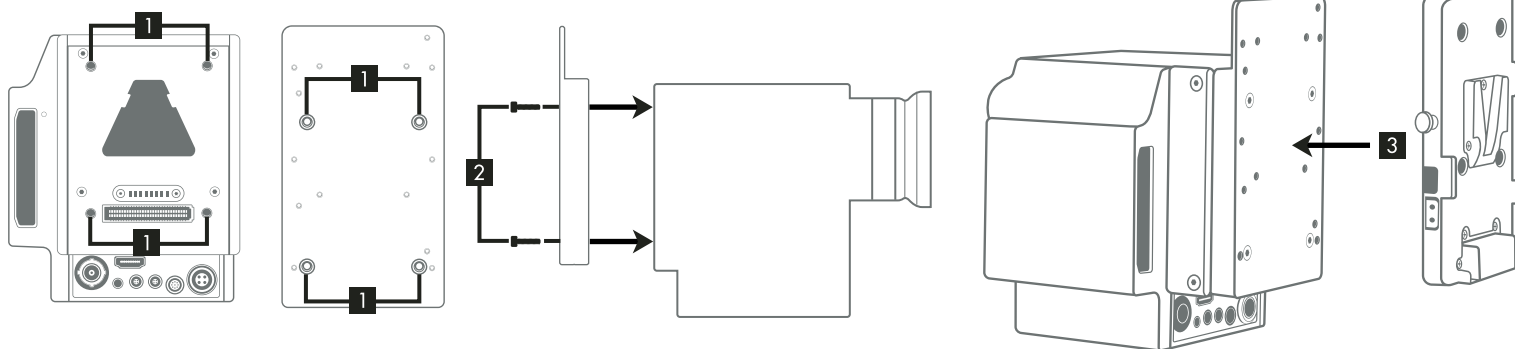
(5) Screw packs*:

- (4) M4x12mm socket caps
(for attaching to camera brain)
 - (6) M3x14mm Phillips pan head
(RED/Blueshape)
 - (4) M3x12mm Phillips pan head
(Anton Bauer QRC)
 - (4) M3x8mm Phillips
(IDX/Swit)
- *see screw chart & diagram below



INSTALLATION

1. Locate and align **M4 HOLES** on **CAMERA BODY** and **FIXED BACK**.
2. Select and tighten **M4 SOCKET** caps with allen wrench to attach **FIXED BACK** to **CAMERA BODY**.
3. Select and align **BATTERY PLATE** to **FIXED BACK**, locate and tighten proper **SCREWS** using **SCREW CHART** below.
4. Attach **LEMO** to **POWER PORT**.

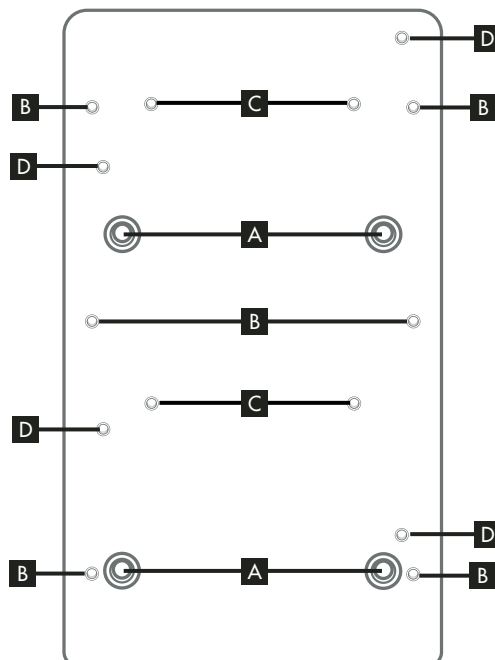


Find appropriate screws and threaded holes by using the **SCREW CHART** below. Insert and tighten into corresponding hole as shown on **HOLE DIAGRAM**.

SCREW CHART

- A=** Camera Brain- M4x12mm socket caps
- B=** RED/Blueshape- M3x14mm Phillip
- C=** Swit/IDX- M3x8mm Phillips
- D=** Anton Bauer QRC- M3x12mm Phillips

HOLE DIAGRAM



IMPORTANT

FIXED BACK can only be attached to camera brain.