

# reesa®

## Automatic coffee machine with grinder

### AROMA 800

#### TSA4008

Návod k obsluze

CS

Bedienungsanleitung

DE

Owner's manual

EN

Manuel de l'Utilisateur

FR

Εγχειρίδιο χρήσης

GR

Használati utasítás

HU

Handleiding

NL

Instrukcja obsługi

PL

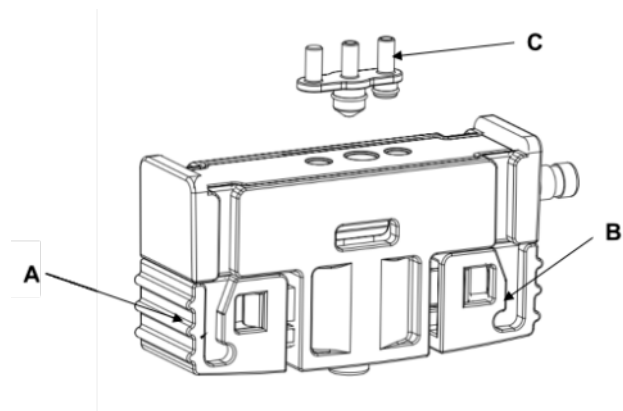
Manual de utilizare

RO

Návod na použitie

SK





## SPECIFICATION

### FUNCTIONS

- Easy programming and full touch colorful visual screen
- Milk frother
- Removable brewing unit
- Removable water tank
- Automatic cleaning
- Automatic descaling
- Menu in 4 languages
- Coffee grinder
- Adjustable coffee temperature
- Silent work
- Adjustable coffee strength
- Possibility of using coffee beans and ground coffee
- Cup warmer
- Cup counter
- Adjustable coffee temperature

### TECHNICAL DATA

- Coffee volume control: 30 – 250 ml
- Coffee strength settings: 5
- Amount of ground coffee: 7 – 12 g
- Height adjustable coffee-milk spout: 75 – 145 mm
- Pump pressure: 19 bar
- Waste coffee cake capacity: 10 cups
- Water container capacity: 2 l
- Coffee beans container capacity: 250 g
- Maximum power: 1500 W

Cable length: 1 m  
Power supply: 220 – 240 V ~ 50 Hz

### PHYSICAL PARAMETERS

Dimensions: 460 x 240 x 340 mm  
Weight: 10 kg

**In set:** spoon for coffee powder, milk container, user's manual



**English**  
**Correct Disposal of This Product**  
**(Waste Electrical & Electronic Equipment)**



(Applicable in the European Union and other European countries with separate collection systems) This marking shown on the product or its literature, indicates that it should not be disposed with other household wastes at the end of its working life. To prevent possible harm to the environment or human health from uncontrolled waste disposal, please separate this from other types of wastes and recycle it responsibly to promote the sustainable reuse of material resources. Household users should contact either the retailer where they purchased this product, or their local government office, for details of where and how they can take this item for environmentally safe recycling. Business users should contact their supplier and check the terms and conditions of the purchase contract. This product should not be mixed with other commercial wastes for disposal.

Made in China for LECHPOL ELECTRONICS Sp. z o.o. Sp.k., ul. Garwolińska 1, 08-400 Miętne.

teesa<sup>®</sup>

[www.teesa.pl](http://www.teesa.pl)