

Faessa®

Slow juicer

TSA3228

Návod k obsluze

CS

Bedienungsanleitung

DE

Owner's manual

EN

Manuel d'utilisation

FR

Εγχειρίδιο Χρήσης

GR

Használati utasítás

HU

Gebruiksaanwijzing

NL

Instrukcja obsługi

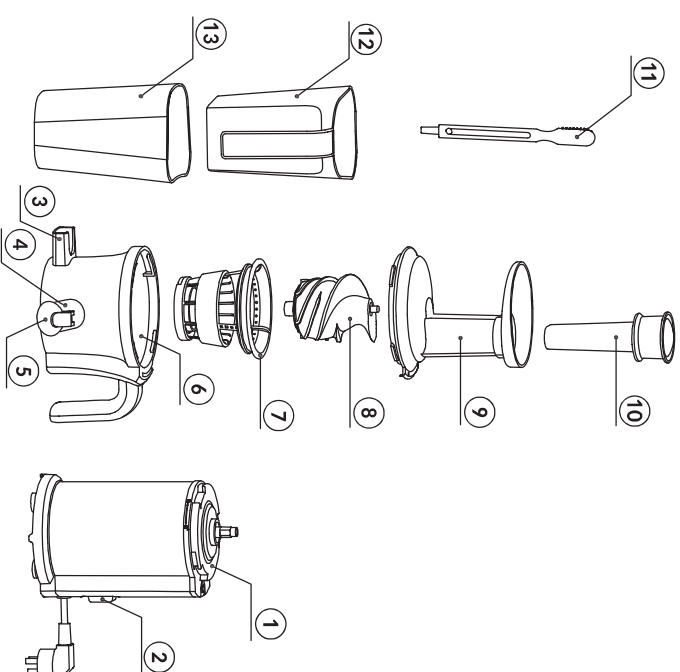
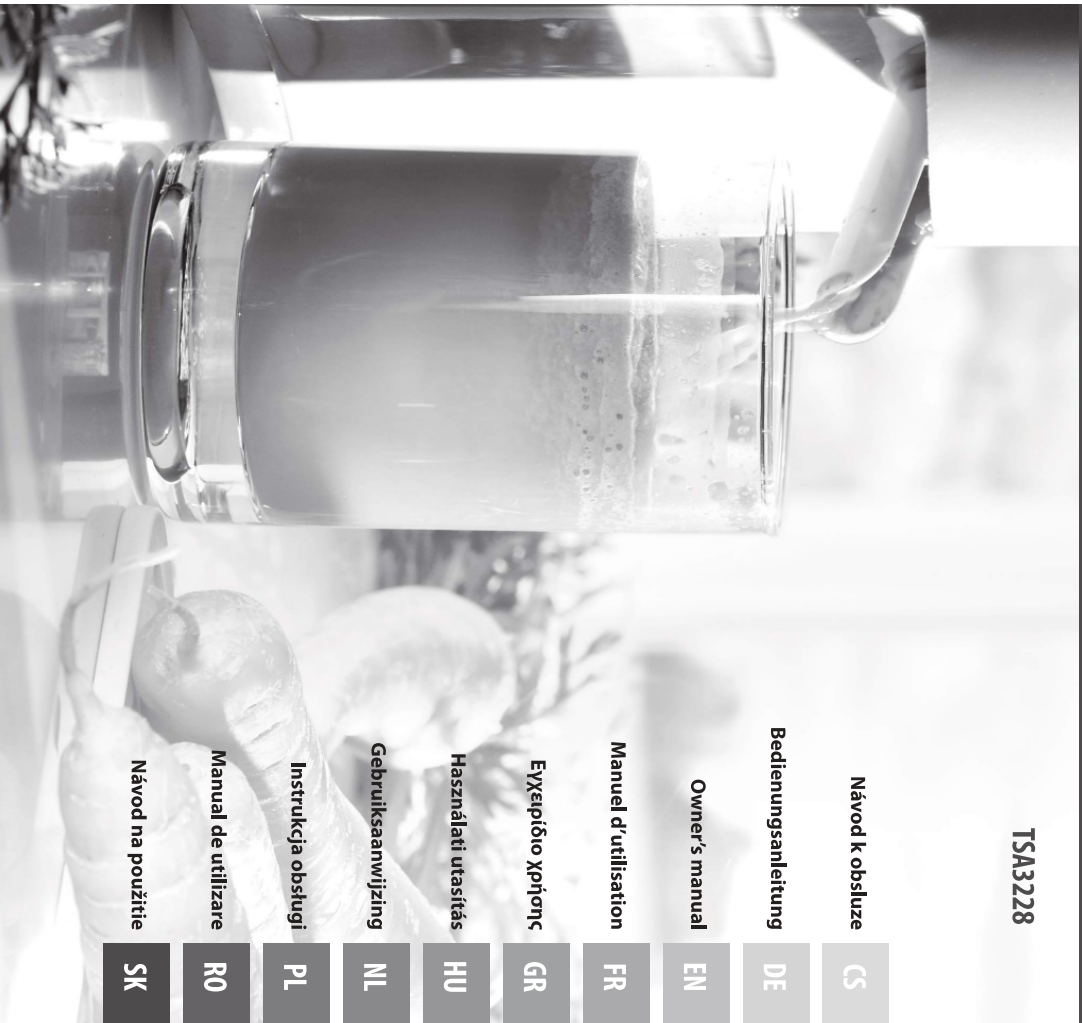
PL

Manual de utilizare

RO

Návod na použitie

SK



TROUBLE SHOOTING

PROBLEM	SOLUTION
Device does not work	<ul style="list-style-type: none"> • Check power cord and power source. • Check that all parts have been assembled correctly.
Machine jams, clogs or stops operating	<ul style="list-style-type: none"> • Check food chute is clear and is not blocked. Make sure the food pieces are small enough. • Check that hard seeds have been removed before juicing and are not stuck in the machine • Turn machine off, and switch to reverse for 3 seconds. • Disassemble upper section and clear remaining pulp.
Squeaking noise / bowl is shaking when juicing	<ul style="list-style-type: none"> • Processing hard ingredients (like carrots). This is normal. • Working with no food inserted. Do not run the juicer without any food!
Leaking from underneath the bowl	<ul style="list-style-type: none"> • Be sure the silicone pad is tightly in place. • The device has been overloaded (do not put too much ingredients into the bowl at once).
Too much pulp coming out	<ul style="list-style-type: none"> • Cut food into smaller pieces, especially fibrous foods to avoid fibers scrapping around the auger. Insert food at a slower pace and allow all food pulp to eject the unit before adding more.
Cannot open juicing bowl cover	<ul style="list-style-type: none"> • Please confirm whether there is too much residue in the juicing bowl. If yes, please press the „ON“ button to remove the residue. • Please confirm whether there are hard objects as core stuck in the juicing bowl. If yes, press the „Reverse“ button to return the hard objects to the feeding tube.

SPECIFICATION

Main features

- Keeps the nutrients, avoids oxidations
 - Strainer with small holes
 - Dishwasher safe parts
 - Easy to clean
 - Easy to assemble
 - Anti-drip juice outlet
 - Anti-slip feet
- Used materials**
- Auger: Tritan
 - Housing: Stainless steel
 - Strainer: Stainless steel + PCTG

Technical data

- Speed: 40-65 rpm
- Motor: DC
- Extraction rate: < 80%
- Construction: Single auger
- Reverse rotations: Yes
- Design: Vertical
- Noise level: < 65 dB
- Continuous working time: ≤ 20 minutes
- Pulp container capacity: 1000 ml
- Juice container capacity: 800 ml
- Protections: Against overheat and incorrect assembly
- BPA free: Yes
- Power: 200 W
- Power supply: 220-240 V; 50/60 Hz

Set includes

- Slow juicer, 2 containers, Brush, Pusher

EN

EN



English
Correct Disposal of This Product
(Waste Electrical & Electronic Equipment)

(Applicable in the European Union and other European countries with separate collection systems) This marking shown on the product or its literature, indicates that it should not be disposed with other household wastes at the end of its working life. To prevent possible harm to the environment or human health from uncontrolled waste disposal, please separate this from other types of wastes and recycle it responsibly to promote the sustainable reuse of material resources. Household users should contact either the retailer where they purchased this product, or their local government office, for details of where and how they can take this item for environmentally safe recycling. Business users should contact their supplier and check the terms and conditions of the purchase contract. This product should not be mixed with other commercial wastes for disposal.

Made in China for LECHPOL ELECTRONICS Sp. z o.o. Spk., ul. Garwolińska 1, 08-400 Mięno.



fessa[®]

www.fessa.pl