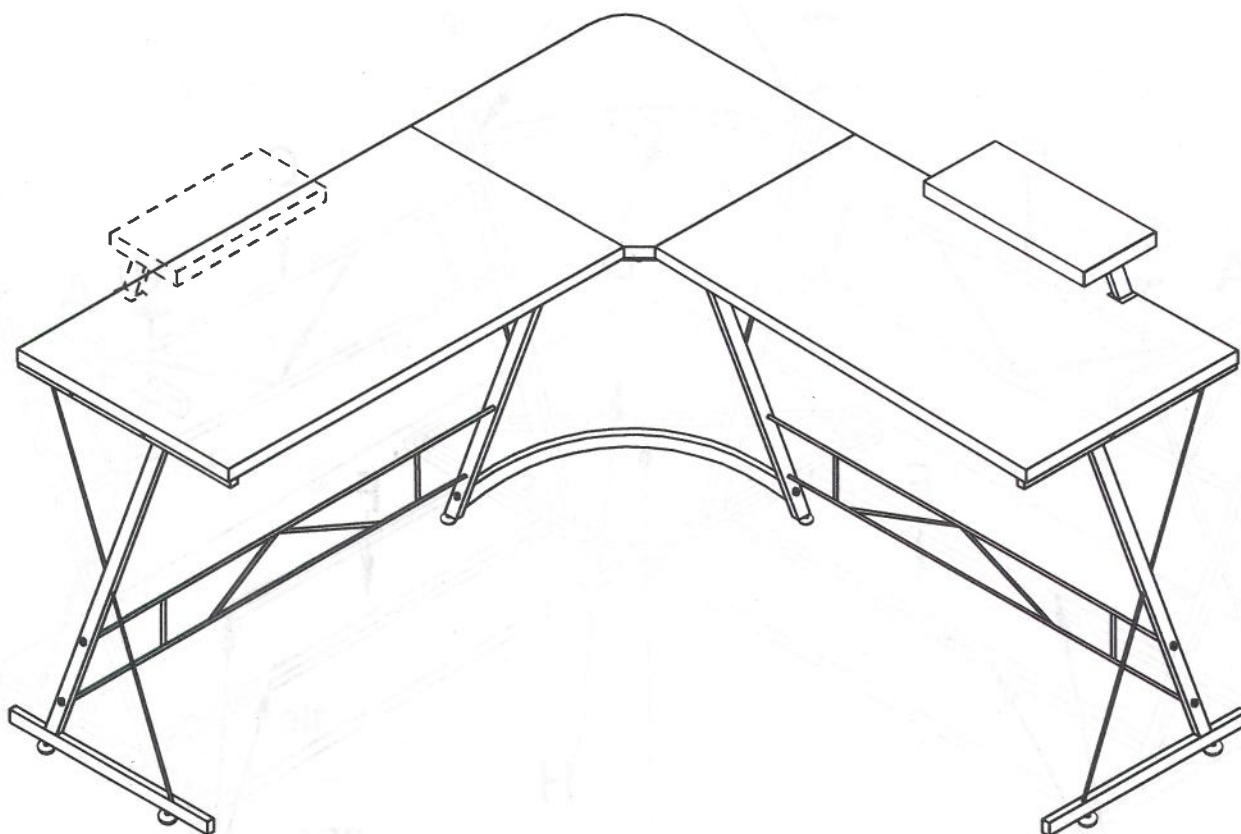


ASSEMBLY INSTRUCTIONS

MODEL LD01

DO NOT TIGHTEN THE SCREWS UNTIL OUR INSTRUCTION NOTICES YOU TO DO SO



Contact Us!

Let Us Serve You Before You Return This Product!

Contact our friendly customer service team first for help

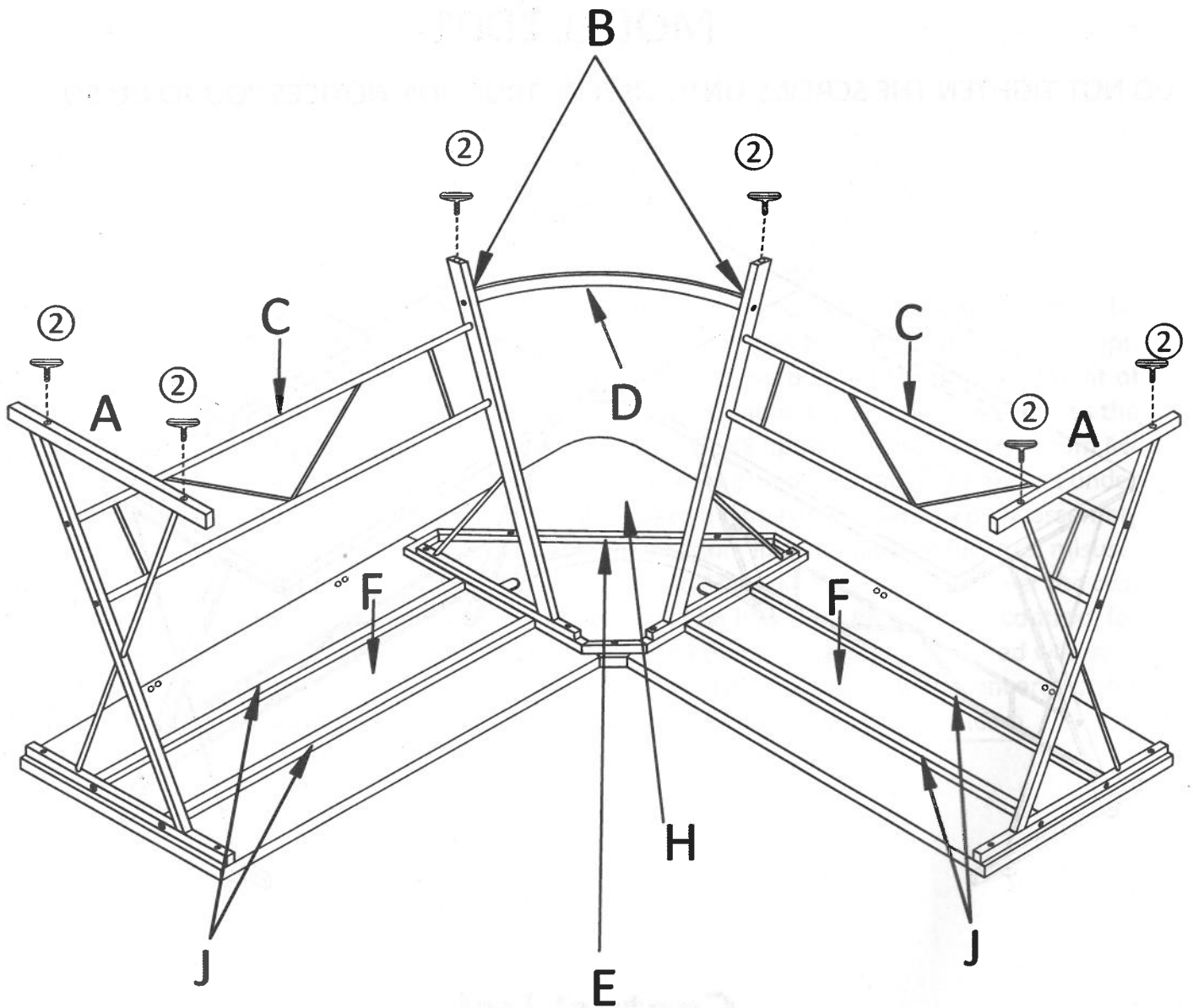
mrironstone@hotmail.com

www.mr-ironstone.com

Helpful Hints

PEOPLE NEEDED FOR ASSEMBLY:1-2
ESTIMATED ASSEMBLY TIME:0.5 HOUR







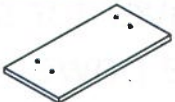



ASSEMBLY OVERVIEW



PARTS LIST






THE PART NUMBER CAN BE FOUND ON THE SIDE OF THE PART, EITHER STAMPED OR ON A STICKER
ITEMS ARE NOT SHOWN TO SCALE.

IF THERE ARE ANY MISSING PARTS OR DAMAGED PARTS, PLEASE EMAIL US AT mrironstone@hotmail.com
WITH YOUR ORDER # AND MODEL # .THE PART WILL BE SHIPPED WITHIN 2 WORKING DAYS.

#	DESCRIPTON		STOCK #	QTY.
A	Leg Frame		LD-LF-A	2
B	Leg Frame		LD-LF-B	2
C	Lower Frame		LD-LF	2
D	Connection Frame		LD-CF	1
E	Middle Frame		LD-MF	1
F	Desktop		LD-D	2
G	Monitor Shelf		LD-MS	1
H	Middle Desktop		LD-MD	1
I	Monitor Shelf Bracket		LD-MSB	2
J	Bar		LD-B	4

HARDWARE LIST

EXTRA HARDWARE INCLUDED FOR YOUR CONVENIENCE ITEMS ARE NOT SHOWN TO SCALE.

	DESCRIPTON		QTY.
①	M6X25mm		16
②	M6 Foot		6
③	Allen Wrench		1
④	M6X12mm		9
⑤	M6X40mm		15

⚠ CAUTION

READ THE INSTRUCTION MANUAL BEFORE ASSEMBLING



- OPEN THE HARDWARE AS NEEDED
- ASSEMBLE IN AN AREA WITH PLENTY OF SPACE
- READ EACH STEP BEFORE BEGINNING CONSTRUCTION
- NEVER FORCE THE SCREWS OR FITTINGS
- KEEP THIS MANUAL FOR FUTURE REFERENCE
- TIGHTEN ALL THE SCREWS EVERY 6 MONTHS
- DO NOT SHIFT OR DRAG THE PRODUCT AFTER ASSEMBLY
- POWER TOOLS SHOULD NOT BE USED TO ASSEMBLE THIS PRODUCT

CLEANING AND CARE

- CLEAN SURFACES WITH A DRY OR DAMP CLOTH
- DO NOT USE ABRASIVE CLEANERS

⚠ WARNING:

If you use a power screwdriver for screwing, please be aware to slow down the speed of the power screwdriver and make sure the bolts/screws are NOT over-tightened. Failure to do so may result in collapse/bending the tubing.

	YES
	NO

REPLACEMENT PARTS

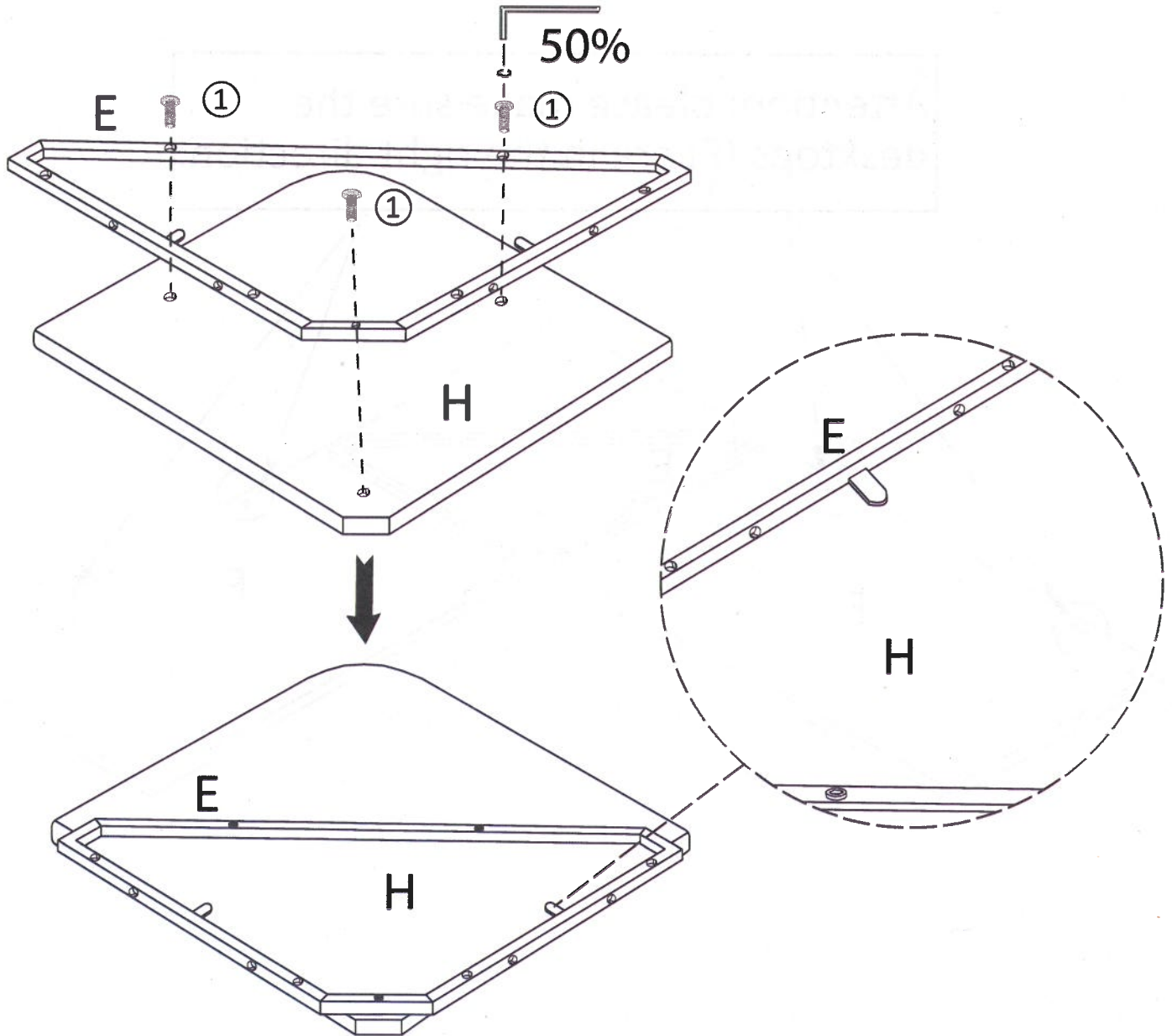
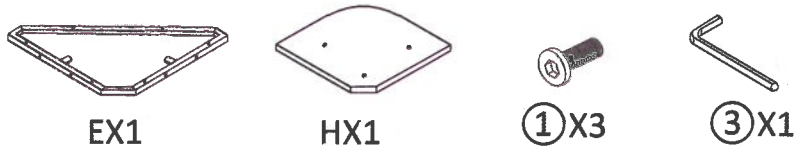
IF YOU ARE MISSING ANY OF THE PARTS ABOVE OR IF YOU HAVE A DAMAGED PART, PLEASE EMAIL US AT mrironstone@hotmail.com REFERENCE THE MODEL # ON THE FRONT OF THIS MANUAL SIMPLY COMPLETE THE INFORMATION, INCLUDING THE PART YOU NEED AND YOUR ORDER #. THE PART WILL NORMALLY BE SHIPPED WITHIN 2 WORKING DAYS.

ASSEMBLY INSTRUCTIONS (LD01)

STEP 1

Lay down the Middle Desktop (H) back side up on the floor.

Attach Middle Frame (E) to Middle Desktop (H) using three Screws (1) and tighten the screws to 50% tightness.



WARNING:

Do NOT Over-tighten the Bolts/ Screws. Failure to do so may result in collapsing the tubing.

ASSEMBLY INSTRUCTIONS (LD01)

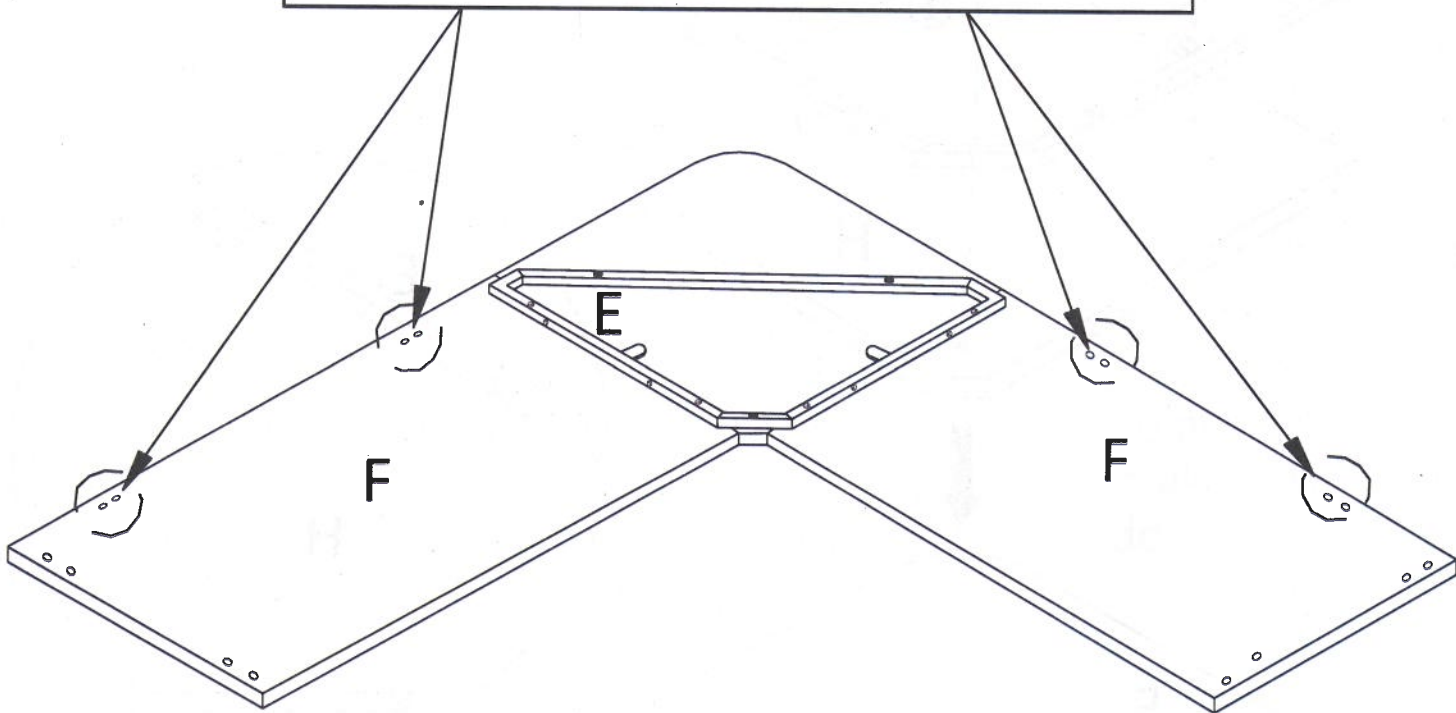
STEP 2

Place the desktops as shown.



FX2

Attention: please make sure the desktops (F) are in the right direction.



WARNING:

Do NOT Over-tighten the Bolts/ Screws. Failure to do so may result in collapsing the tubing.

ASSEMBLY INSTRUCTIONS (LD01)

STEP 3

Attach Leg Frames (B) to Middle Frame (E) using four Screws (5) and tighten the screws to 50% tightness.



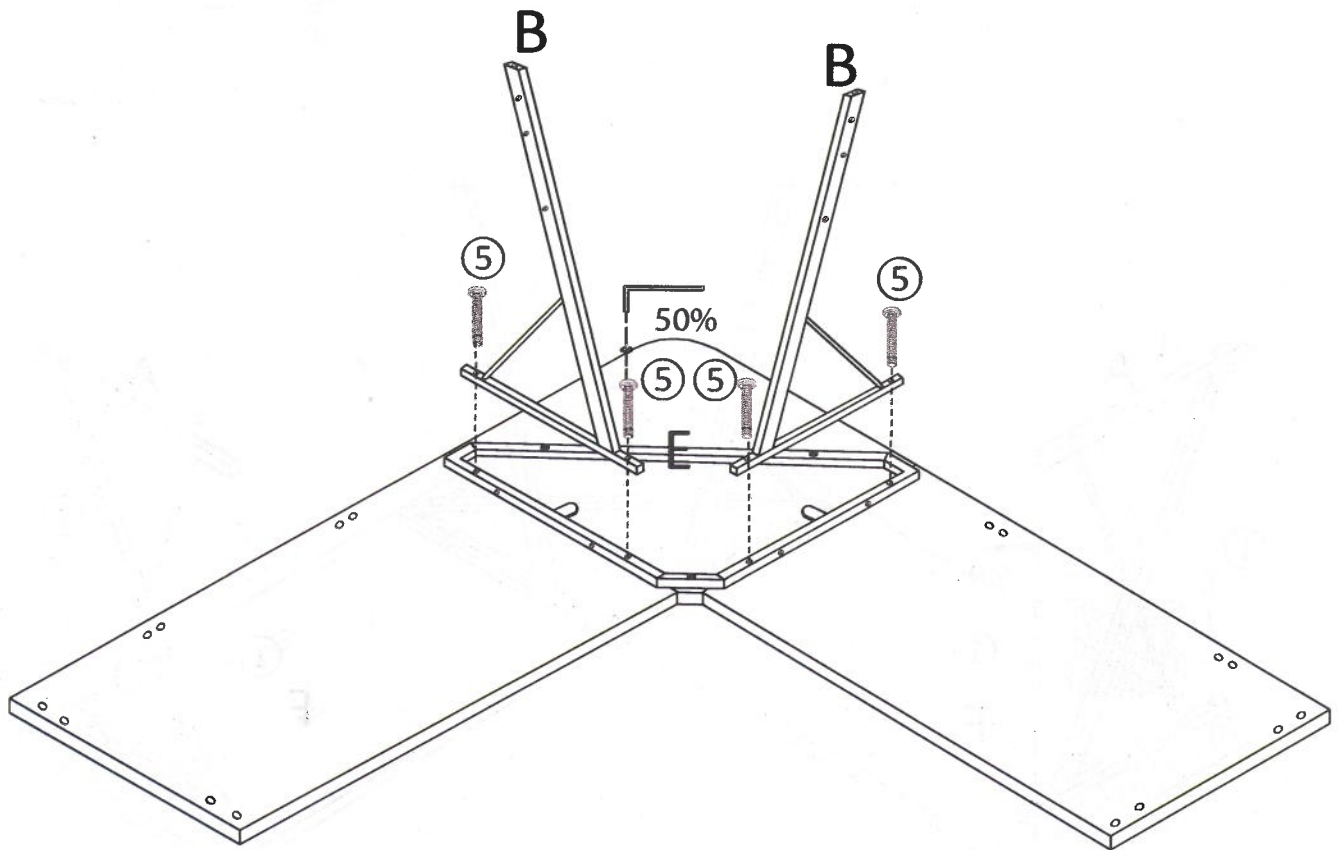
BX2



(5)X4



(3)X1



WARNING:

Do NOT Over-tighten the Bolts/ Screws. Failure to do so may result in collapsing the tubing.

ASSEMBLY INSTRUCTIONS (LD01)

STEP 4

Attach two Leg Frames (A) to Desktops (F) using four Screws (1) and tighten the screws to 50% tightness.



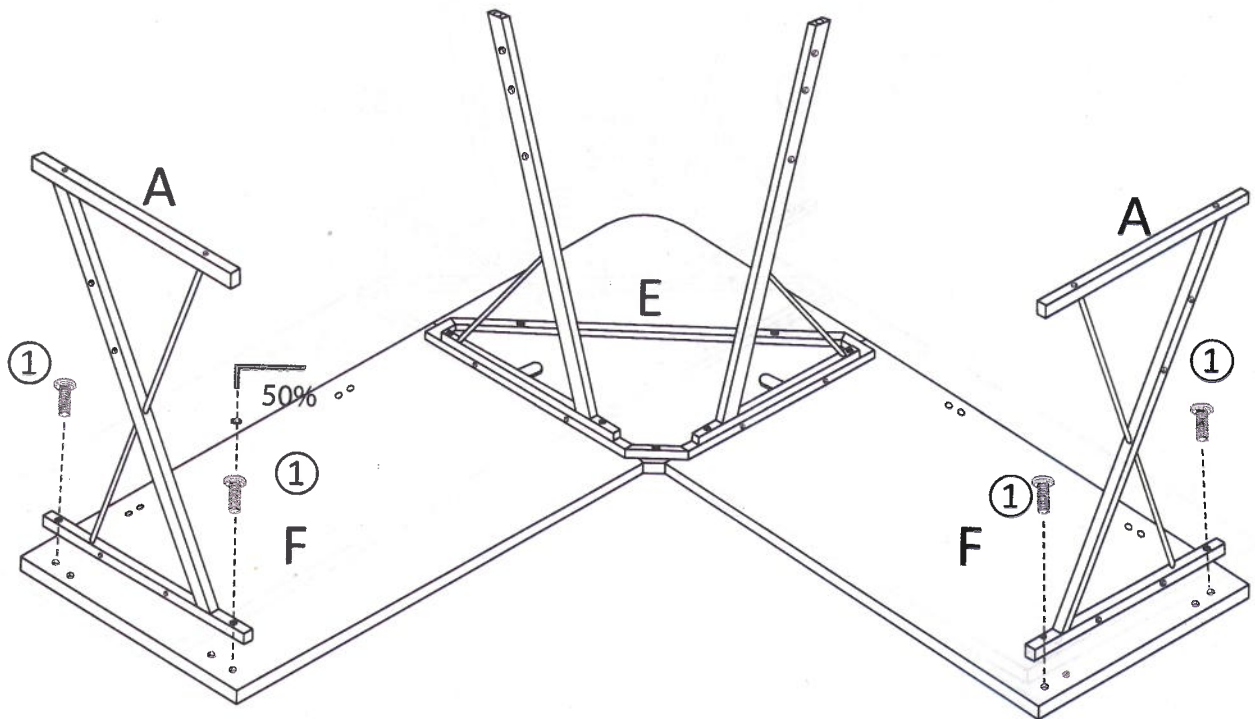
AX2



(1) X4



(3) X1



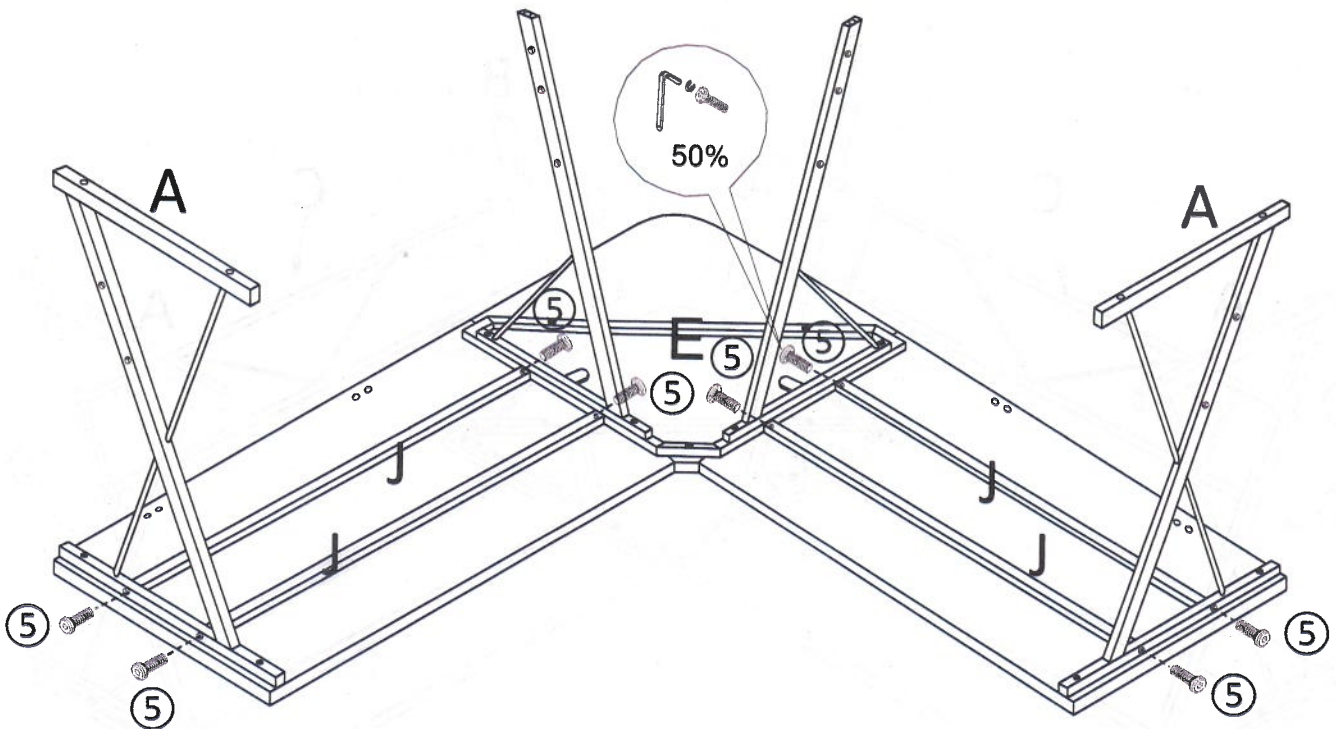
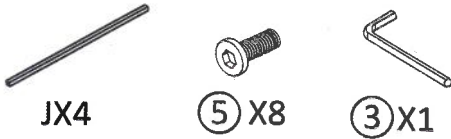
WARNING:

Do NOT Over-tighten the Bolts/ Screws. Failure to do so may result in collapsing the tubing.

ASSEMBLY INSTRUCTIONS (LD01)

STEP 5

Attach four Bars (J) to Middle Frames (E) and Leg Frames (A) using eight Screws (1) and tighten the screws to 50% tightness.



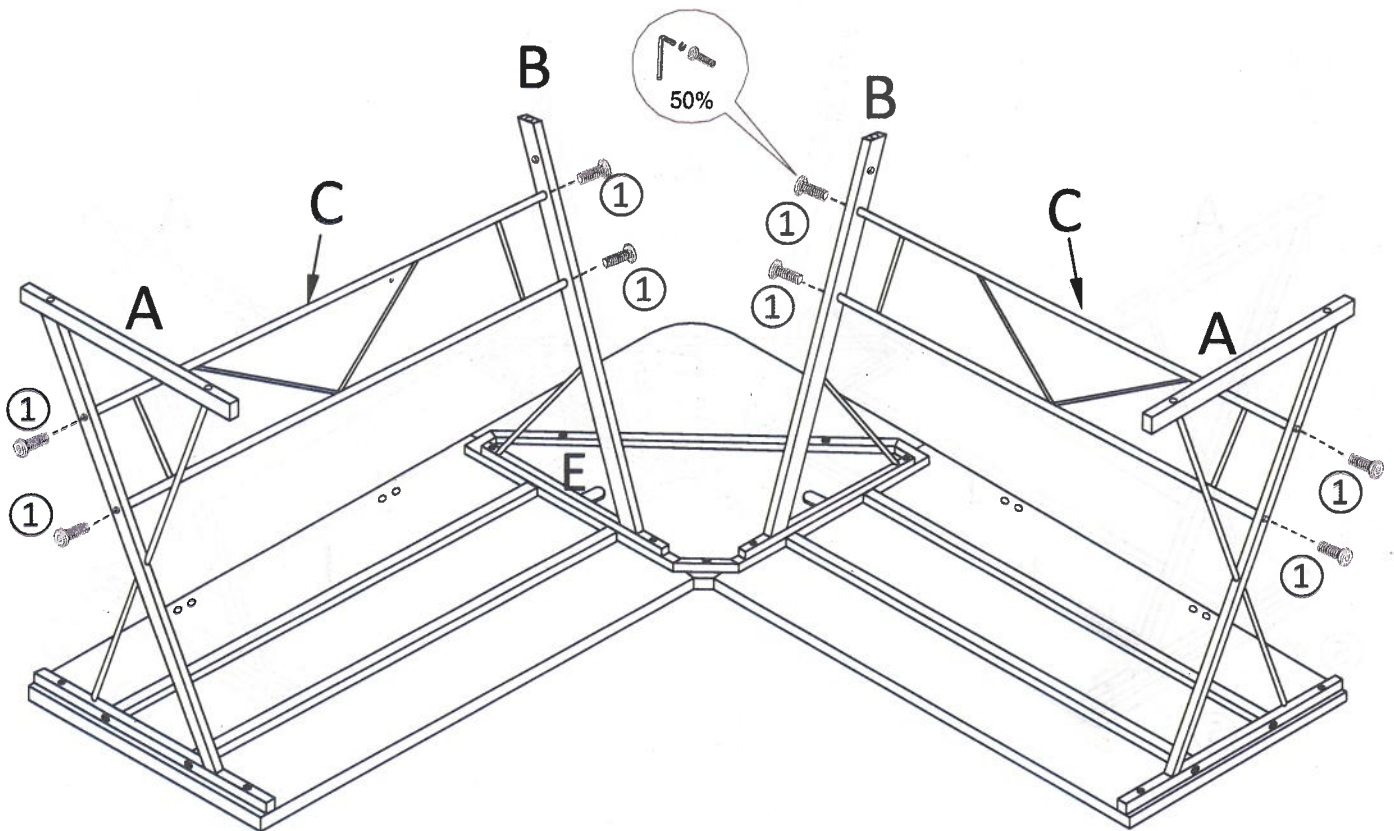
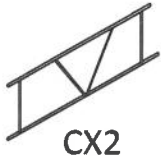
WARNING:

Do NOT Over-tighten the Bolts/ Screws. Failure to do so may result in collapsing the tubing.

ASSEMBLY INSTRUCTIONS (LD01)

STEP 6

Attach two Lower Frames (C) to Leg Frames (A) and Leg Frames (B) using eight Screws ① and tighten the screws to 50% tightness.



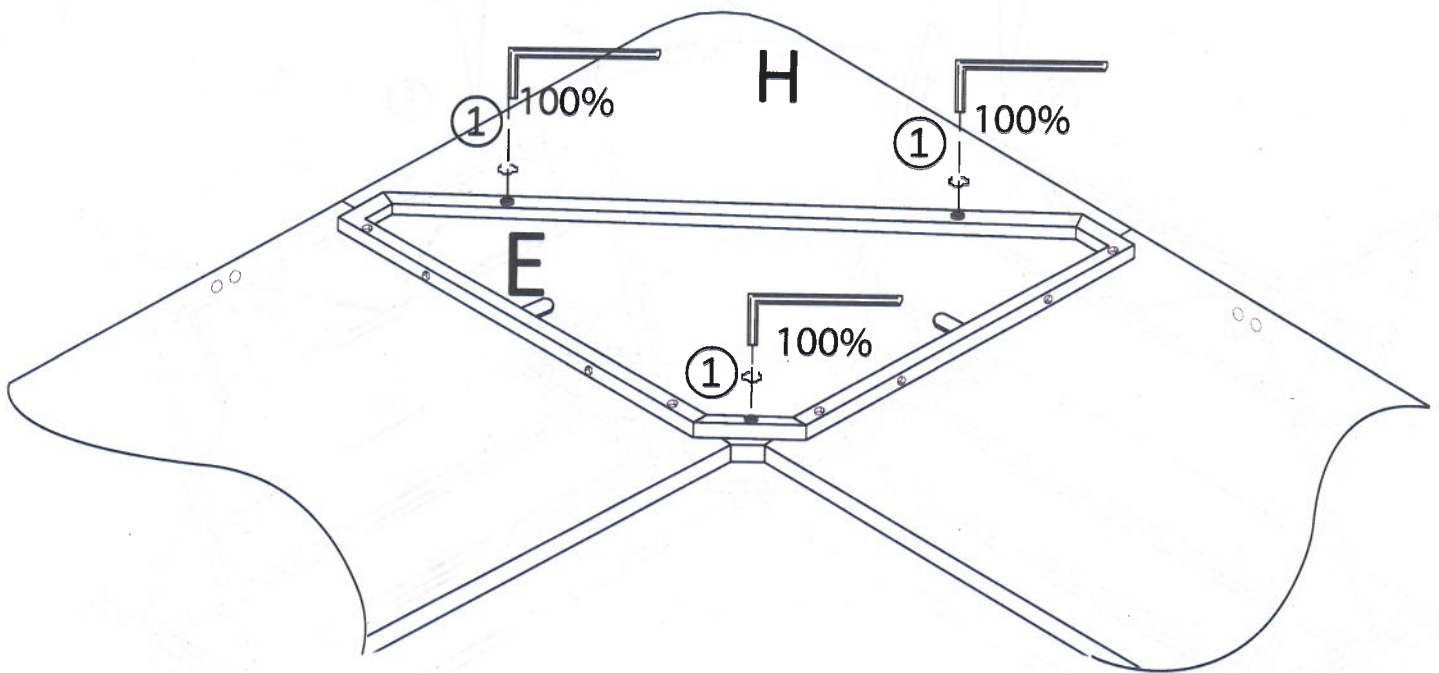
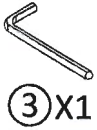
WARNING:

Do NOT Over-tighten the Bolts/ Screws. Failure to do so may result in collapsing the tubing.

ASSEMBLY INSTRUCTIONS (LD01)

STEP 7

Tighten the three Screws ① on Middle Desktop (H) to 100% tightness.



WARNING:

Do NOT Over-tighten the Bolts/ Screws. Failure to do so may result in collapsing the tubing.

ASSEMBLY INSTRUCTIONS (LD01)

STEP 8

Attach Connection Frame (D) to Leg Frames (B) using two Screws (5) and tighten the screws to 50% tightness.



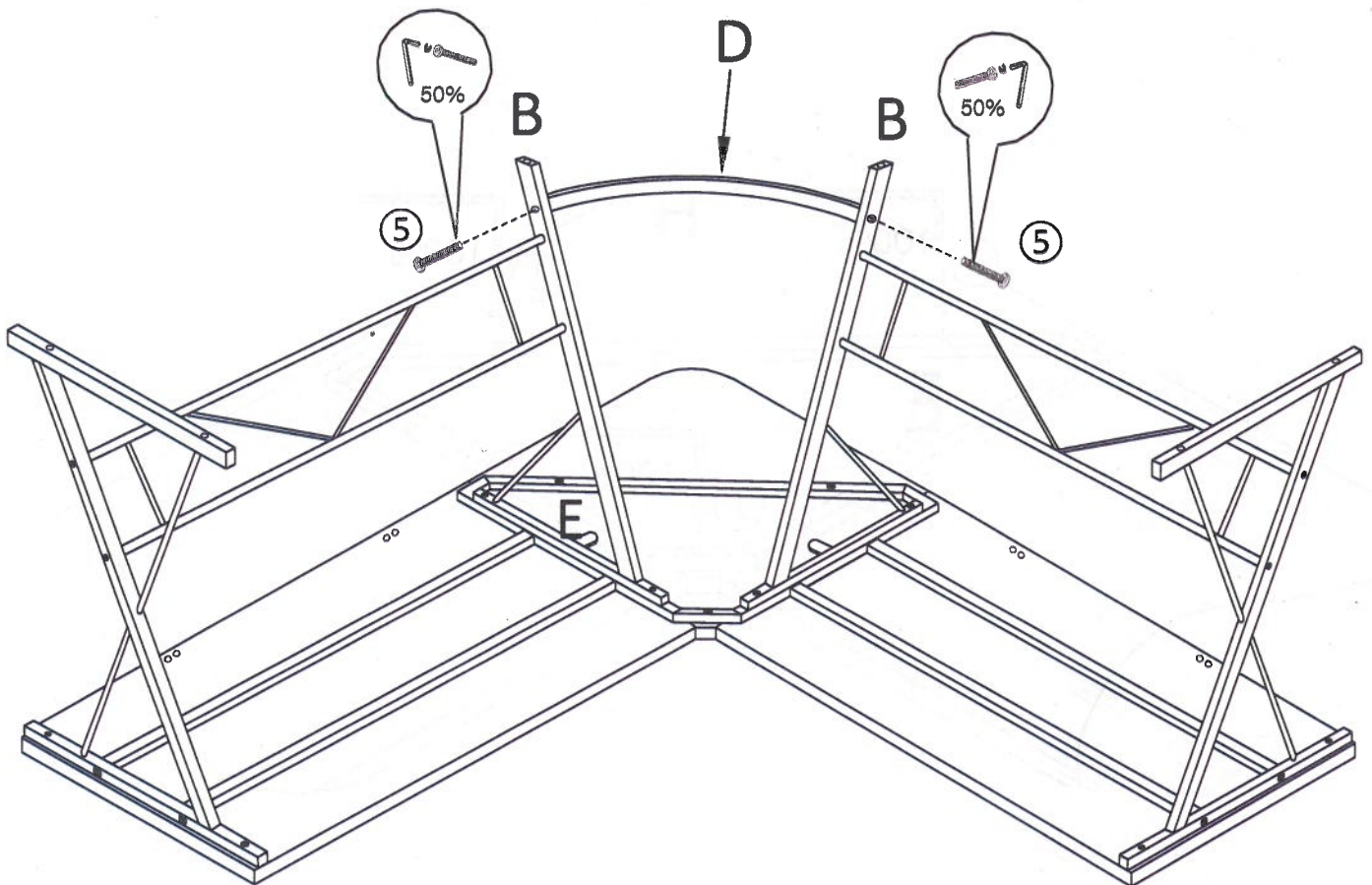
DX1



(5) X2



(3) X1



WARNING:

Do NOT Over-tighten the Bolts/ Screws. Failure to do so may result in collapsing the tubing.

ASSEMBLY INSTRUCTIONS (LD01)

STEP 9

Attach six Feet ② to Leg Frames (A) and (B).

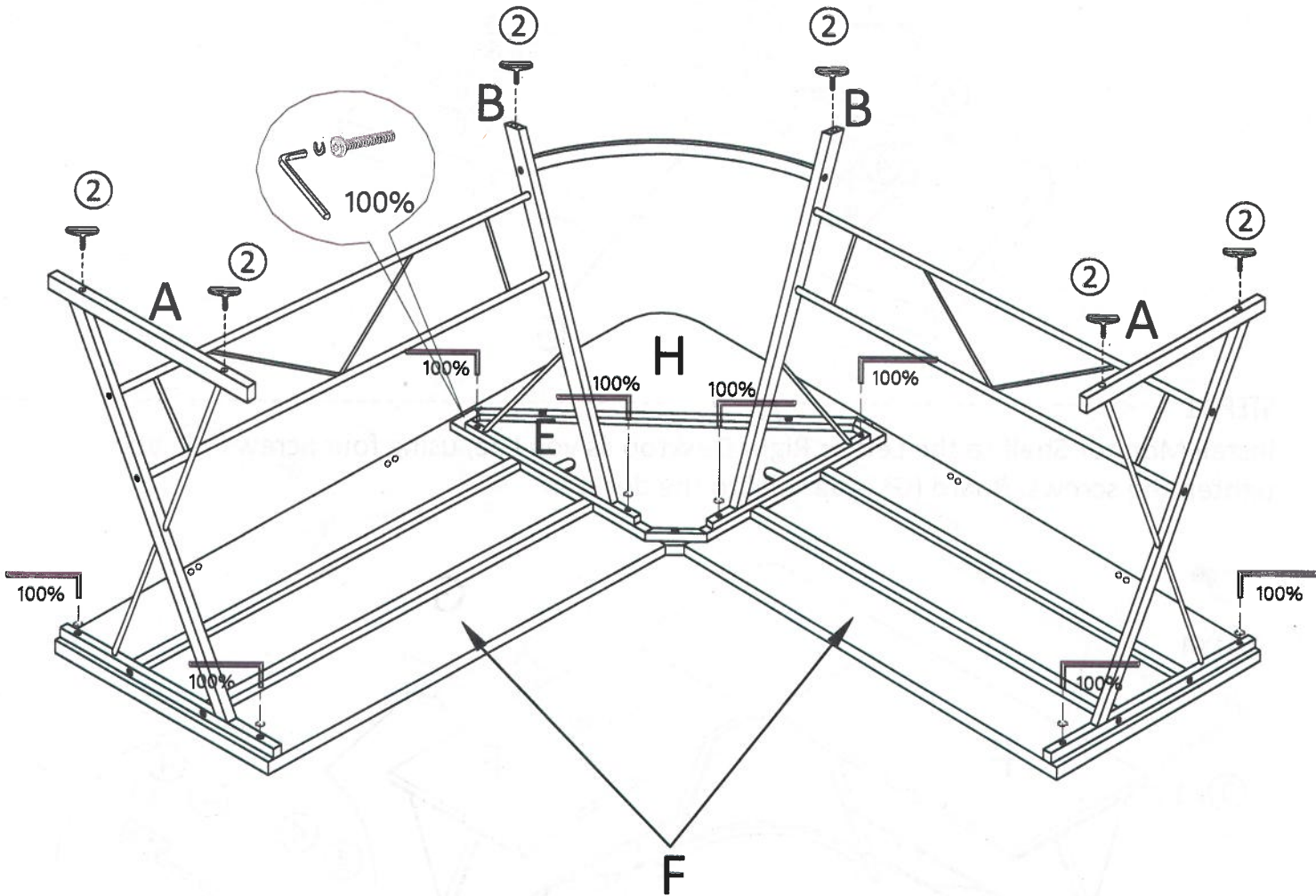
Please make sure Desktops (F) and Middle Desktop (H) are seamless and properly matched and tighten all screws as shown below.



② X6



③ X1



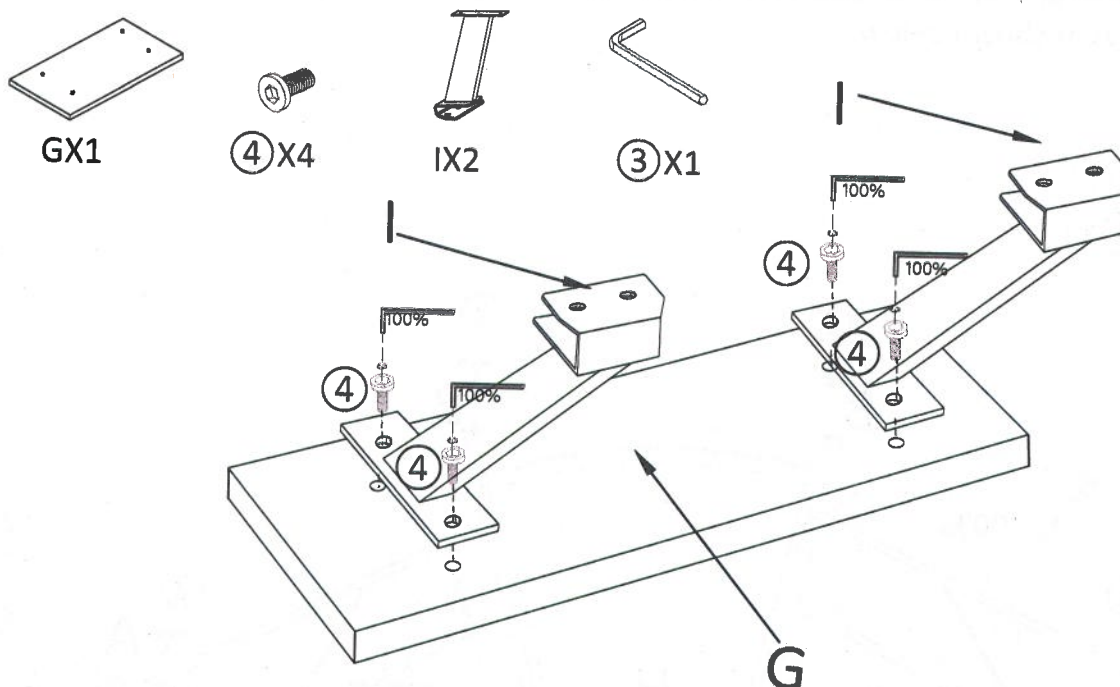
WARNING:

Do NOT Over-tighten the Bolts/ Screws. Failure to do so may result in collapsing the tubing.

ASSEMBLY INSTRUCTIONS (LD01)

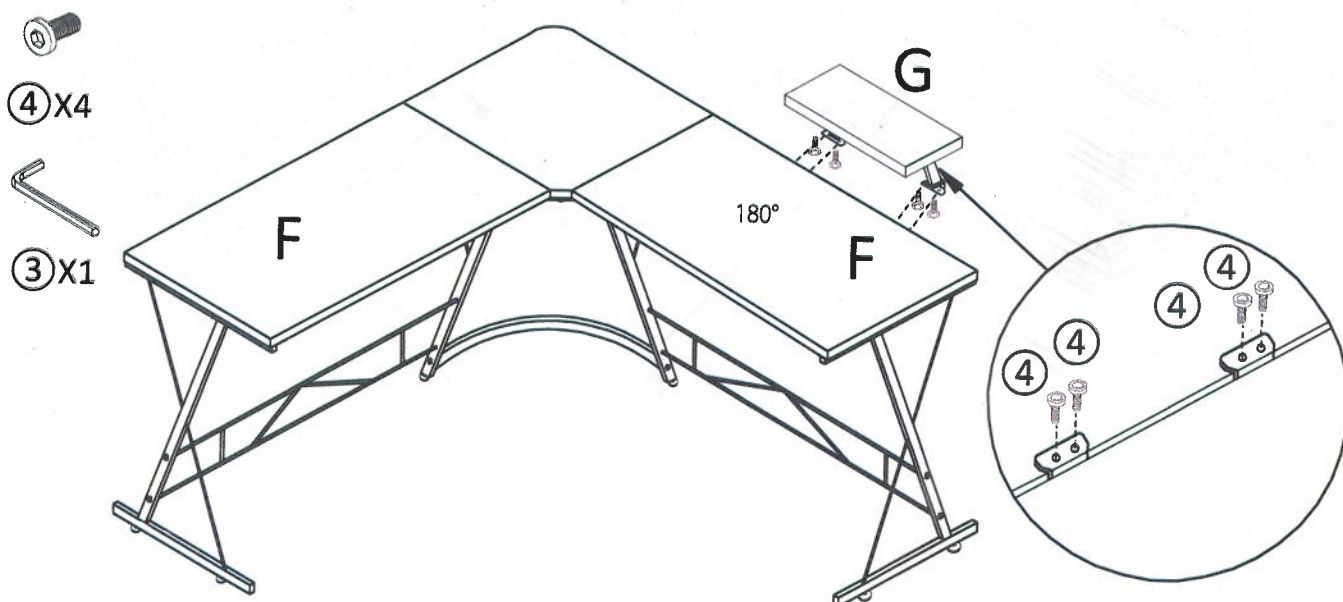
STEP 10

Attach Monitor Shelf Brackets (I) to Monitor Shelf (G) using four Screws (4) and tighten the screws.



STEP 11

Install Monitor Shelf to the Left or Right Desktop as you like, using four Screws (4) and tighten the screws. Board (G) is parallel to the desktop.



WARNING:

Do NOT Over-tighten the Bolts/ Screws. Failure to do so may result in collapsing the tubing.

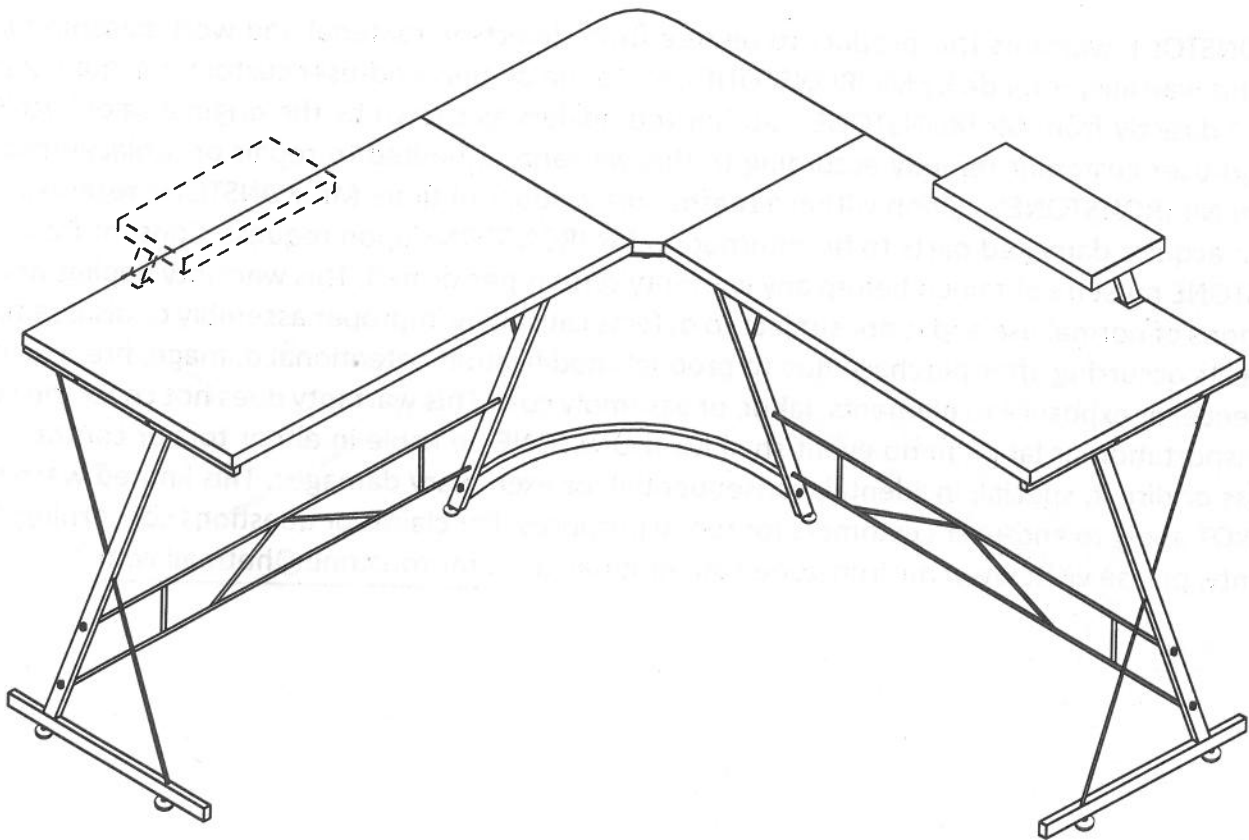
ASSEMBLY INSTRUCTIONS (LD01)

STEP 12

Please make sure that all the screws are 100% tightened.

CONGRATULATIONS! Assembling complete!

Attention: the monitor shelf can be installed on both right side and left side on the desktop.



WARNING:

Do NOT Over-tighten the Bolts/ Screws. Failure to do so may result in collapsing the tubing.

SAFETY AND MAINTENANCE

- Every 6 months, check all screws to ensure they are tight.
- DO NOT use the product unless all screws are firmly secured.

LIMITED WARRANTY

Mr IRONSTONE warrants this product to be free from defects in material and workmanship for 1 year. This warranty is made by Mr IRONSTONE only to the original end-user customer acquiring the product directly from Mr IRONSTONE's authorized dealers as shown by the original sales receipt. The end-user customer remedy according to this warranty is limited to repair or replacement of parts at Mr IRONSTONE's option within a reasonable amount of time. Mr IRONSTONE reserves the right to acquire damaged parts to be returned to Mr IRONSTONE upon request. Consent from Mr IRONSTONE must be obtained before any warranty term is performed. This warranty applies under conditions of normal use and is not subject to defects caused by improper assembly or disassembly or defects occurring after purchase due to product modification, intentional damage, fire, misuse, negligence, or exposure to elements, labor, or assembly cost. This warranty does not cover the cost of transportation or labor. In no event shall Mr IRONSTONE be liable in either tort or contract for any loss or direct, special, incidental, consequential, or exemplary damages. This limited warranty does NOT apply to end-user customers for rental purposes. For claims or questions concerning this warranty, please visit: www.mr-ironstone.com or email us at mrironstone@hotmail.com.

Mr IRONSTONE

Mr IRONSTONE™ FURNITURE

Mr IRONSTONE is a Trademark of GG Home & Beyond, Inc.

GG Home & Beyond, Inc.

Website: www.mr-ironstone.com

Email: mrironstone@hotmail.com