



LS-668 SERIES
ASSEMBLY INSTRUCTIONS

-SIX LANGUAGES INCLUDED



AIMING FOR A NEXT-LEVEL SITTING EXPERIENCE

SAFETY PRECAUTIONS

BEFORE USE

●● This manual is intended to describe the items that you should be aware of when using the product in order to prevent harm to you and other people and damage to property. Please be sure to observe it for safe use.

● Please read this manual carefully before use to ensure correct and safe use. Also, please read the quality label attached to the product.

● The contents of this manual and precautions for use describe precautions to prevent incorrect usage and accidents. Please keep it in a safe place and read it when necessary.

● When renting or transferring the product to a third party, be sure to attach this manual and fully explain the handling method.

! SAFETY PRECAUTIONS

! The precautions written here are to prevent harm or damage to you or others.
! All of these are important contents for safe use, so be sure to observe them.

- Do not disassemble or lubricate the gas cylinder. It may explode and cause injury.
- Please do not incinerate. The high pressure gas in the gas cylinder may explode or emit toxic gas.
- Do not put your hand in the gap between the moving parts. You may get injured.
- Do not operate the up / down adjustment lever on the seat surface while the seat is vacant. The seat and back may rise sharply and cause injury.
- Do not use the product as it is found. The main body may break and you may get injured.

- Do not use on slippery floors. You may fall and get injured.
- As it is an assembly type, tighten the screws firmly to assemble. Also, if any rattling occurs due to loosening of bolts or screws during use, be sure to retighten. If you use it with the bolts and screws loose, the main body may break and you may be injured.
- Please do not let the infant sit alone. You may fall and get injured.
- Please do not modify.

PRECAUTIONS FOR USE

- This product is for indoor or indoor use. Outdoor use or getting wet may cause malfunction, rust or discoloration.
- Avoid using the product in a place exposed to direct sunlight or heat such as a stove, or in a place with significant humidity or dryness.
- Tighten the bolts and screws regularly every two months.
- Tap the cloth part of the seat with your hands or vacuum the cloth to remove dust. Otherwise, wipe off the dirt with a dry cloth or a lightly moistened cloth. (Wipe off the water from the steel part well.) Do not use thinner, benzene, cleanser, etc.

PARTS CHECKING



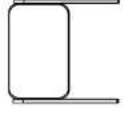
A Base x1



B Head&Lumbar Pillow x1

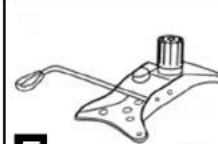


C Armrest (L & R) x2

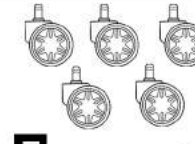


D Footrest x1

Parts box1



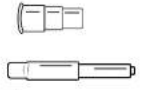
E Tilt Mechanism x1



F Caster x5



G Guide Rail x2



H Cylinder & Cover x1

Parts box2



I Side Cover x4



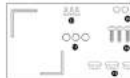
J Recline Mechanism x2



K Instruction x1



L Allen Wrench x2



L Screw Set x1



L Armrest lid x4



L Footrest Rubber Ring x2



L Side Cover Screw x5

The backrest and cushion screws are already pre-installed so they won't be lost in transit

<p>M Backrest x1</p>		Reclining Mechanism Screws M8*25MM	4
		Armrest Screws M8*30MM	2
<p>N Cushion x1</p>		Guide Rail Screws M6*30MM	4
		Tilt Mechanism Screws M8*20MM	4
		Recline Mechanism Screws M8*25MM	4
		Armrest Screws M8*30MM	2

ASSEMBLY INSTRUCTION

Method of screwing Do not tighten the screws from the beginning

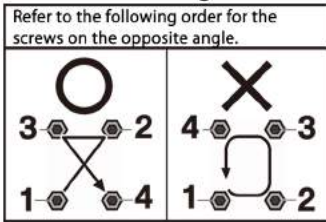
● If you tighten the screws from the beginning, the other screw holes will not be aligned and you will not be able to assemble. It also causes overall distortion.

1. Temporarily tighten all screws to about 80%
2. Finally, tighten all the screws firmly



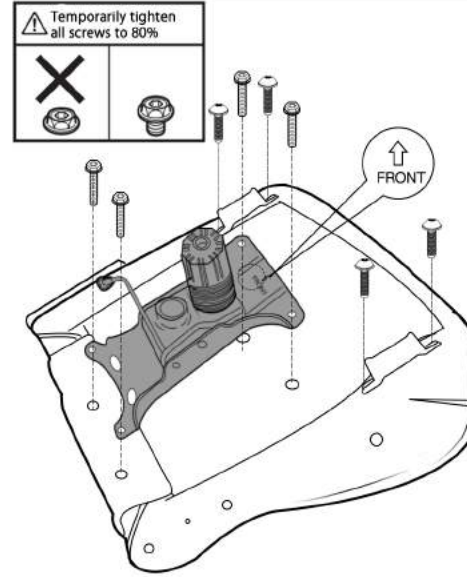
How to tighten the diagonal screws

- ① Install the first screw into any hole and then install the second screw diagonally
- ② Install the remaining screws.



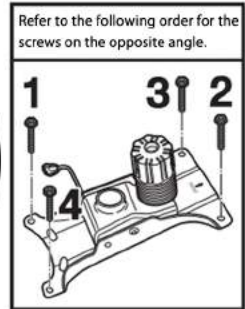
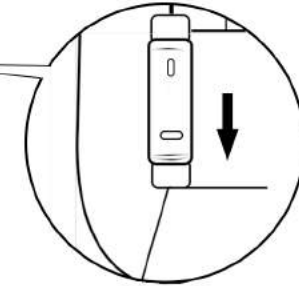
It is recommended to watch the assembly video and the main points before assembly

Installation of tilt mechanism and guide rail



Remove the screws attached to the bottom and install the rails first. Place the side hole of the guide rail on the outside, referring to the figure below. Do not tighten the rail screws during this step.

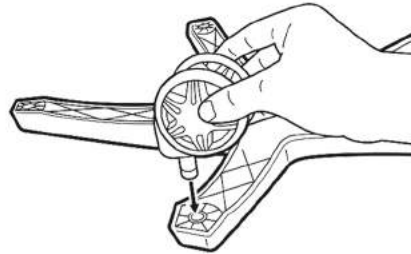
Next, install the tilt structure base. Point the front mark on the base to the guide rail. Tighten the screws in order, referring to the example photo.



Installation of casters

- Turn the base over and insert the casters firmly as far as it will go.

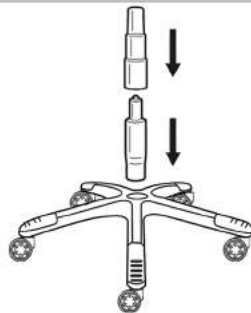
* The casters are slightly hard to insert to prevent them from coming off.



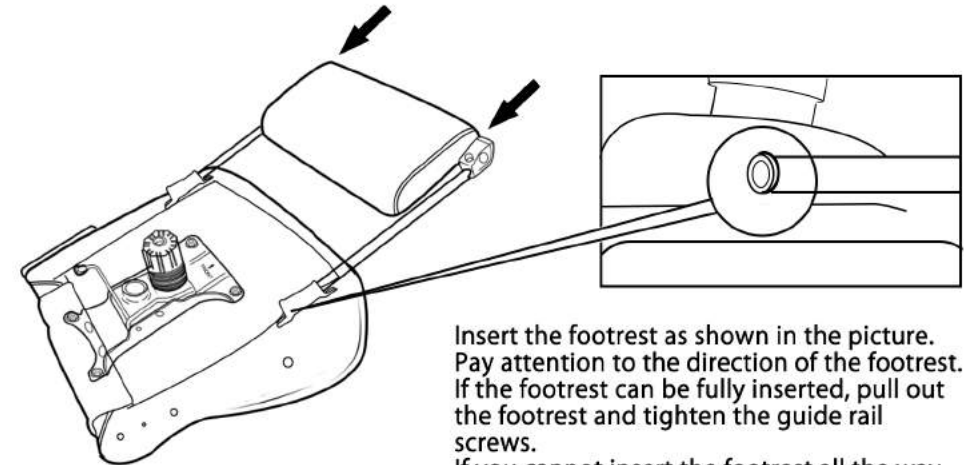
Installation of base

- Insert the gas cylinder and cover into the base as shown.

* The cylinder is coated with lubricating oil. Be careful not to get your hands, clothes, or floor dirty.



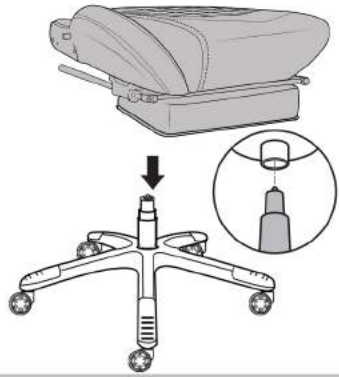
Installation of footrest



Insert the footrest as shown in the picture. Pay attention to the direction of the footrest. If the footrest can be fully inserted, pull out the footrest and tighten the guide rail screws. If you cannot insert the footrest all the way in, loosen the screw on the guide rail and adjust the guide rail. After confirming that the screws are tightened, install the rubber ring.

ASSEMBLY INSTRUCTION

Attach the cushion to the base

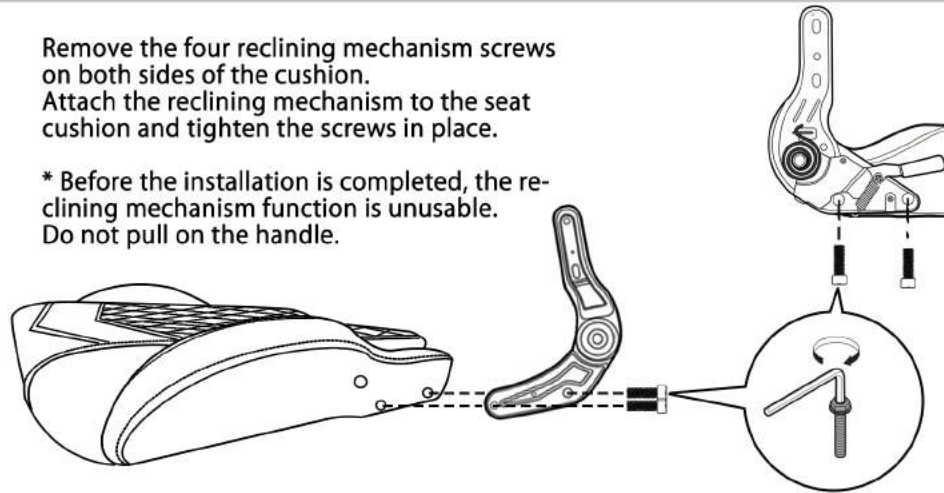


Attach the base to the gas cylinder.
Please check if you inserted it vertically.
*If inserted at an angle, the lift function
may be unusable.

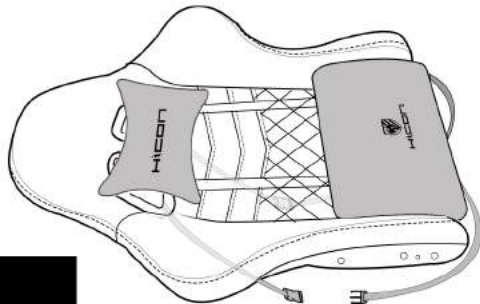
Installation of reclining mechanism

Remove the four reclining mechanism screws
on both sides of the cushion.
Attach the reclining mechanism to the seat
cushion and tighten the screws in place.

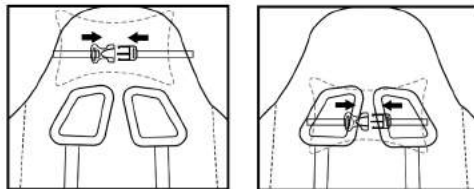
* Before the installation is completed, the reclining
mechanism function is unusable.
Do not pull on the handle.



Installation of headrest and lumbar support



Install the lumbar support and headrest as shown in
the picture.
Pass the belt through the hole for vertical adjustment
of lumbar support.
When installing the headrest, please refer to the draw-
ing and select a installation method that suits you.



Install the backrest on the cushion



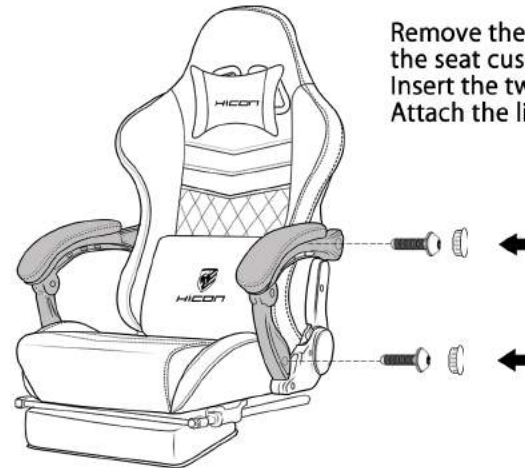
Unscrew the four reclining mechanisms on either side of
the backrest.
Insert the backrest. Then install the screws on the side with
the handle. Install the screws on the other side.
Do not tighten all screws before the installation is completed.
After adjusting the angle of the backrest, tighten the four screws
on both sides in cross order.

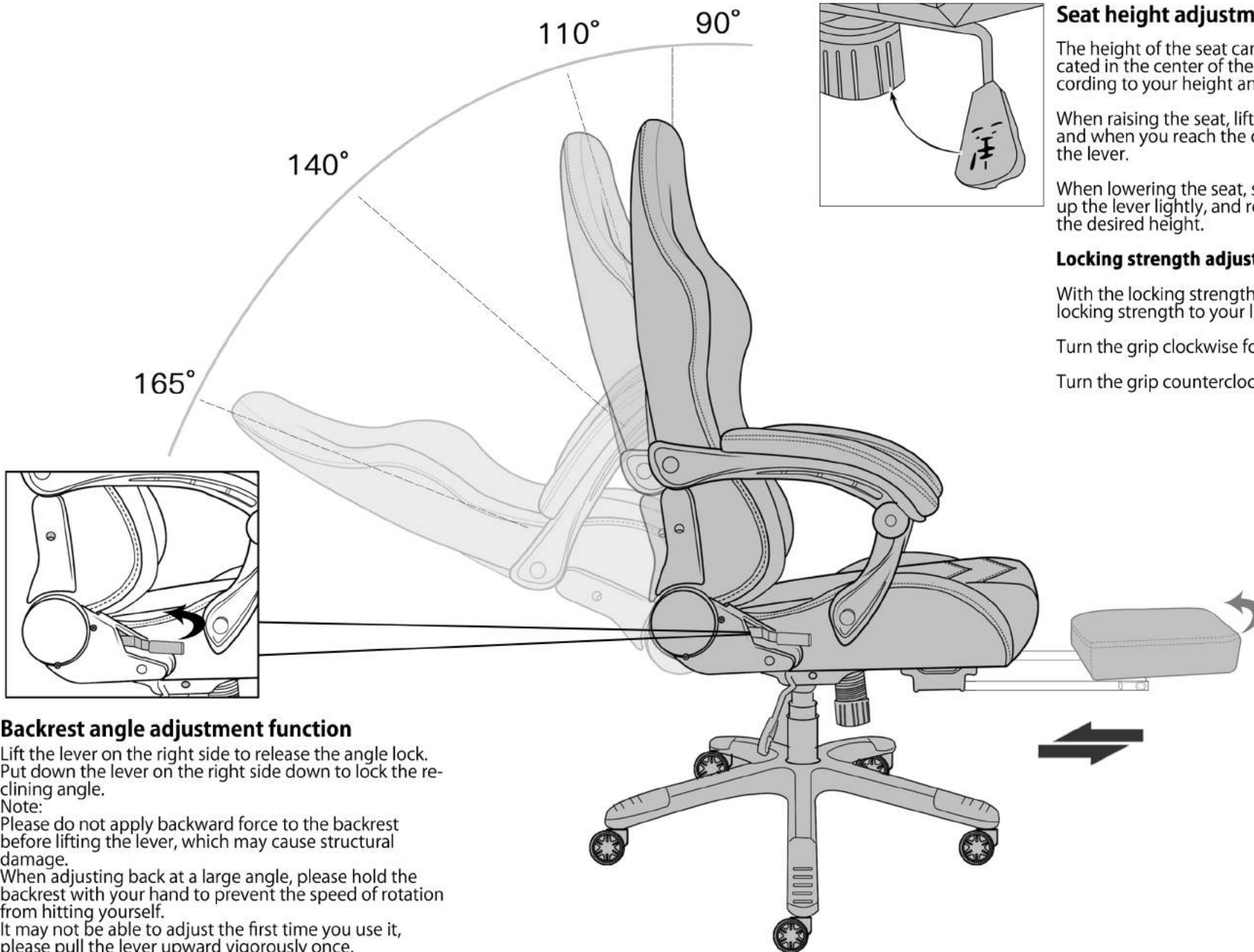
Attach the reclining mechanism cover to the metal
mechanism.
Install the bottom two covers first, then the top two.

*Make sure that the holes are aligned, and then tighten the
screws while pressing the side cover so that it won't slip. If
installed directly, the screws may not fit in the holes.

Installation of armrests

Remove the four armrest screws on both sides of
the seat cushion and backrest.
Insert the two armrests and tighten the screws
Attach the lid to the screw hole to complete the installation.





Backrest angle adjustment function

Lift the lever on the right side to release the angle lock. Put down the lever on the right side down to lock the reclining angle.

Note:

Please do not apply backward force to the backrest before lifting the lever, which may cause structural damage.

When adjusting back at a large angle, please hold the backrest with your hand to prevent the speed of rotation from hitting yourself.

It may not be able to adjust the first time you use it, please pull the lever upward vigorously once.

Seat height adjustment function

The height of the seat can be adjusted with the seat lift lever located in the center of the right hand side of the seat. Adjust according to your height and desk height.

When raising the seat, lift your hips and pull up the lever lightly, and when you reach the desired height, release your hand from the lever.

When lowering the seat, sit deeply in the center of the seat, pull up the lever lightly, and release the lever when it is lowered to the desired height.

Locking strength adjustment grip

With the locking strength adjustment grip, you can adjust the locking strength to your liking.

Turn the grip clockwise for stronger movement.

Turn the grip counterclockwise to weaken the movement.

