



A



x4

B



C



D

e  x4

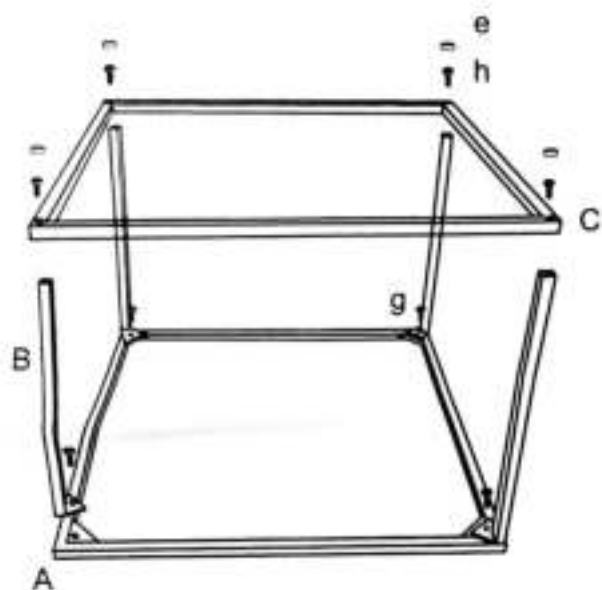
f  x4

g  x4

h  x4



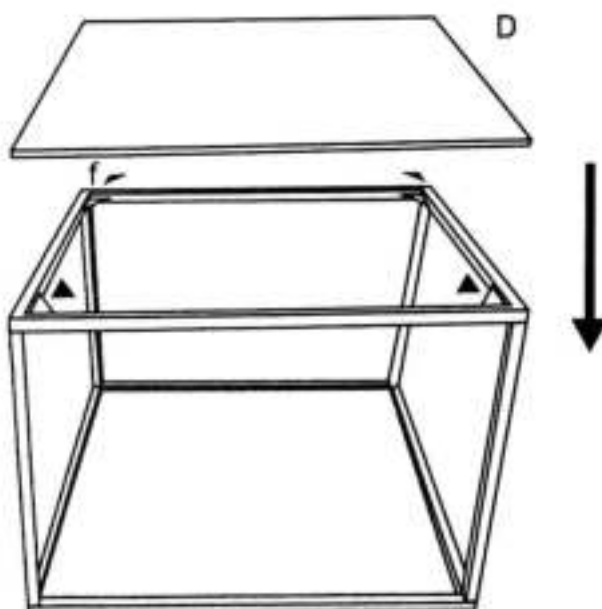
x1



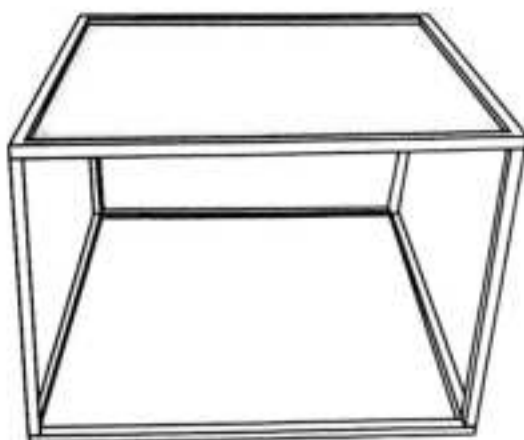
1



2



3



4