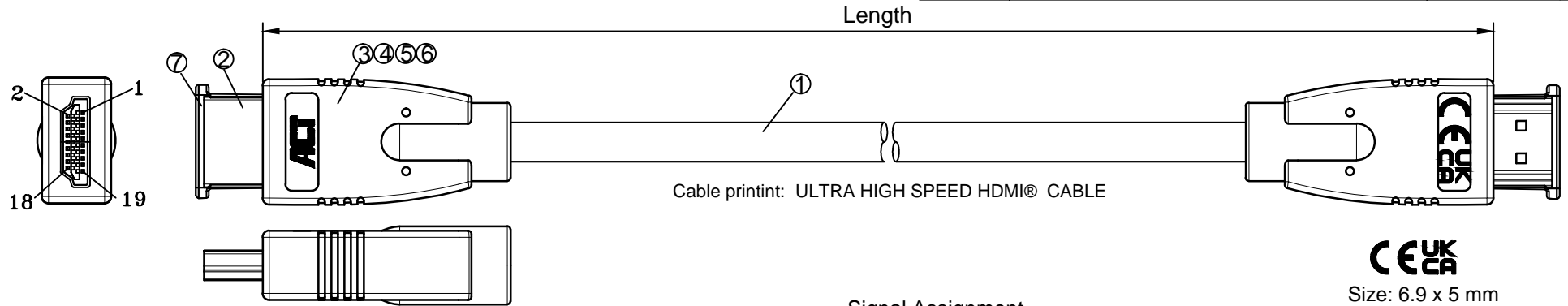
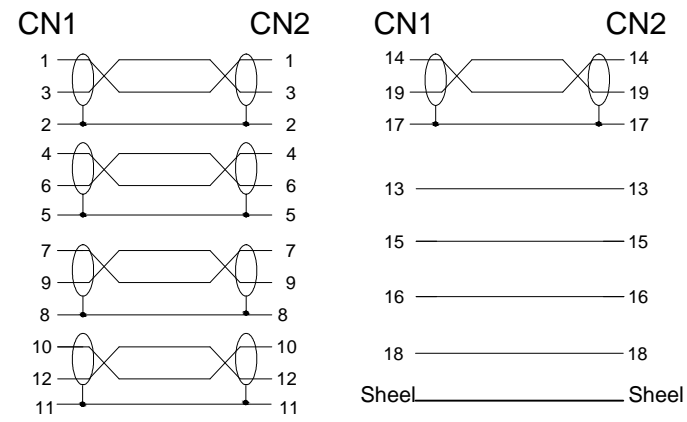


REV.	REVISED DESCRIPTION	DATE	CHECKED
A0	FIRST RELEASE	2021/12/28	



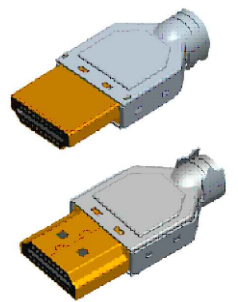
CEUK
Size: 6.9 x 5 mm

Signal Assignment



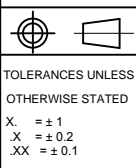
- Remark:
- 100% Open/Short Test
 - Conductive Resistance:10ohms MAX
 - Insulation Resistance:5M ohm MIN.
 - HI-POT:DC 300V/10MS.
 - The product is RoHS compliant.
 - Support 1080P/3D/8K@60Hz

- Remark:
- 100% Open/Short Test
 - Conductive Resistance:10ohms MAX
 - Insulation Resistance:5M ohm MIN.
 - HI-POT:DC 300V/10MS.
 - The product is CE/RoHS compliant/Reach.
 - Resolution:8K@60Hz



Item NO.	Length(m)
AC3810	2.0m

⑦		HDMI Protective Cap, PE	2PCS	
⑥	External Mold	Outer Mould 45P PVC, Black		
⑤	Copper Foil	Double sided conductor Copper Foil W5xL40MM	2PCS	
④	Shielding Shell	Shielding Shell,tinplate	2PCS	
③	Bracket	HDMI2.1V Bracket PA66	2PCS	
②	Connector	HDMI A PLUG PIN, Gold-Plated	2PCS	
①	Cable	30AWG 2.1V (1/0.26BC x 1P + D1/0.254TC + AL-Foil + HM-Mylar) x 5C + 1/0.254BC x 4C + AL-foil + D1/0.254TC + 128/0.12AL, OD=6.5 Black PVC		
ITEM	DESCRIPTIONS & SPECIFICATIONS		QTY	REMARK



ACT			
ERP NO.:		SAMPLE DWG NO.:	
DOC No.:		REVISION	A0
CUSTOMER:		UNIT	mm
CUSTOMER P/N:		SCALE	NO
DESCRIPTION	HDMI2.1V 28AWG OD7.3mm 8K@60Hz with Can Shielding inside	PAGE NO	1/1
		DATE	2021/12/28
APPROVAL		CHECKED	
		DRAWN	