



Paulmann

Safety Instructions

1, 2, 3, 4, 5, 6, 7, 10, 12, 13, 14, 15, 16,
17, 18, 19, 20, 22, 24, 28, 29, 31, 32, 33, 34



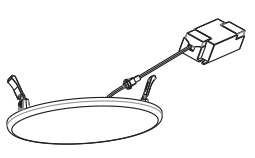
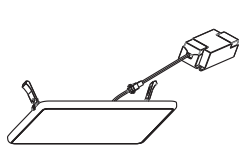

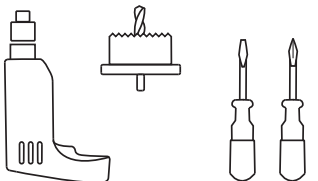


Info

www.paulmann.com

Paulmann Licht GmbH
Quezinger Feld 2
31832 Springe
Germany

www.paulmann.com

<p>Art.-Nr.: 923.89 923.95 923.92 923.98</p> <p>(+MA 326) PVI 12/19</p> 	 <p>Art.-Nr.: 923.89 923.92</p>  <p>1x Incl. 2x</p>	<p>Art.-Nr.: 923.95 923.98</p>  <p>1x Incl. 2x</p>	 
--	---	---	---

