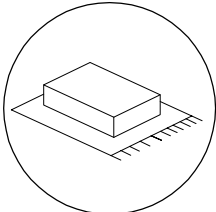
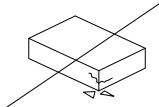
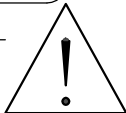
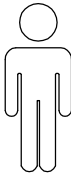
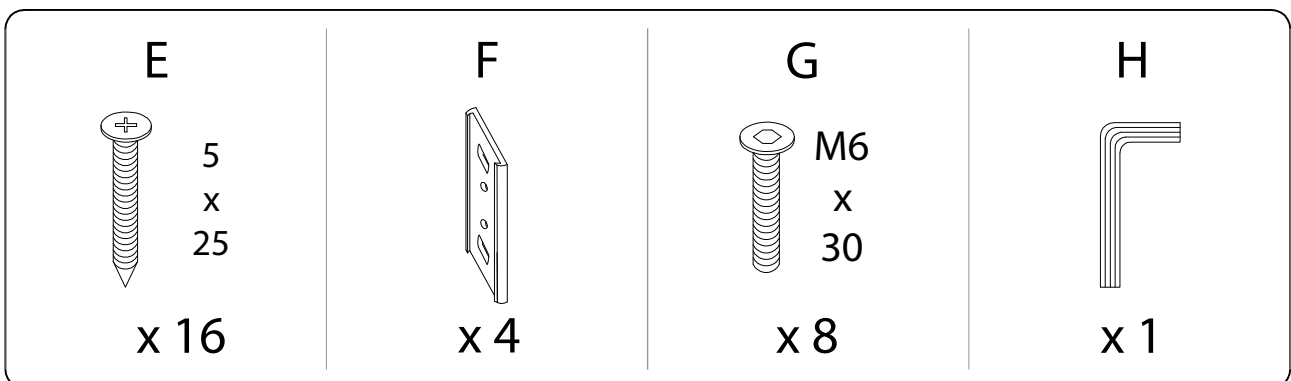
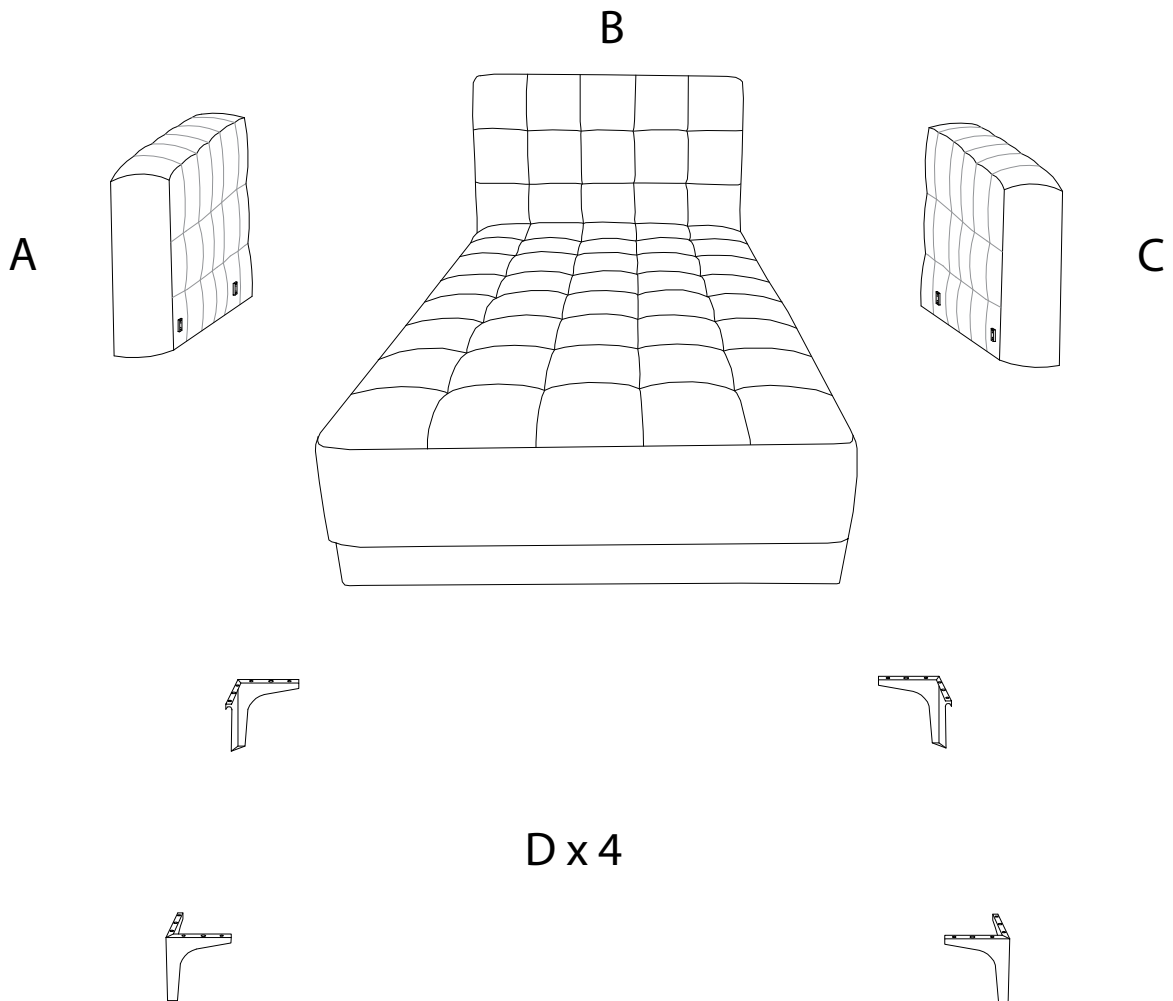
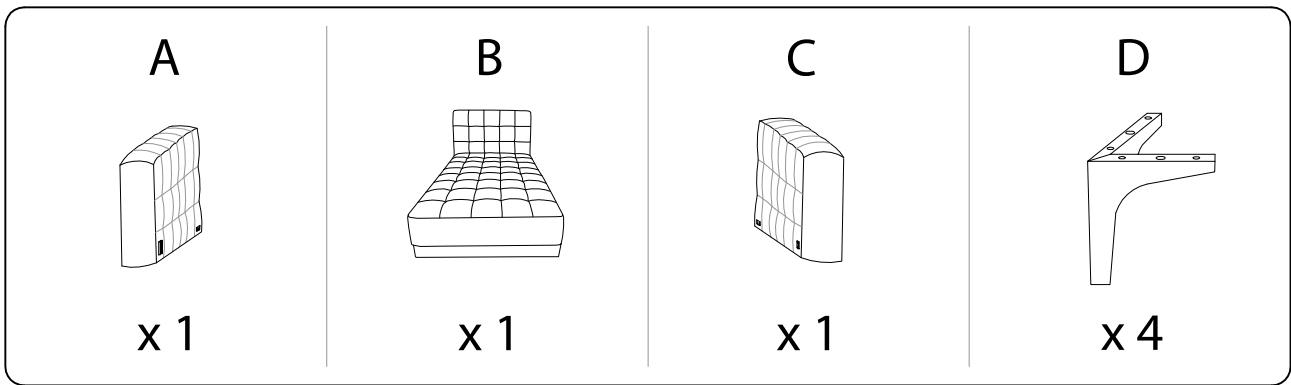

		30'
 		
		2



1

B



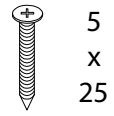
x 1

D

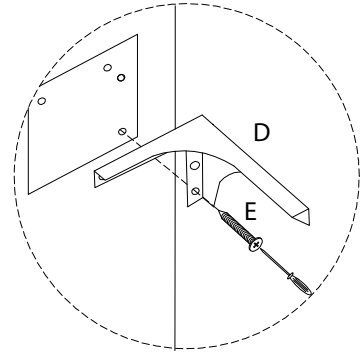
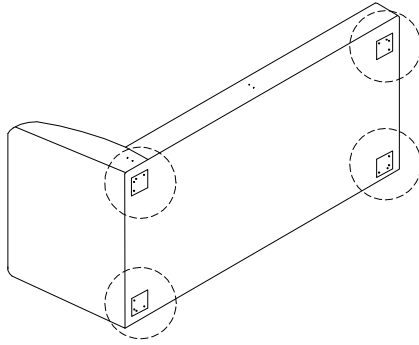


x 4

E



x 16



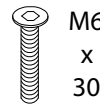
2

F



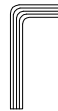
x 4

G

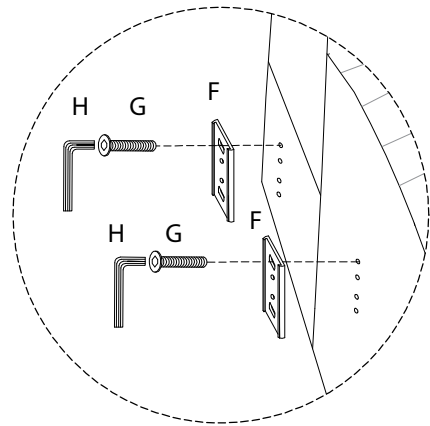
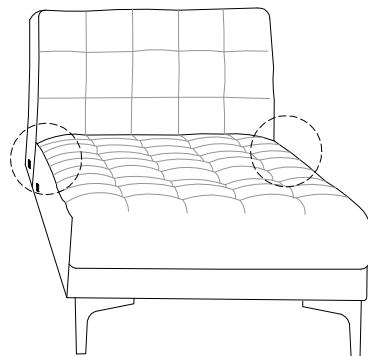


x 8

H



x 1



3

A



x 1

C



x 1

