

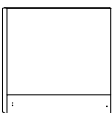

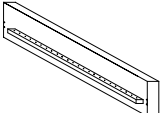
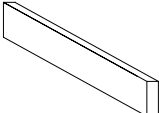

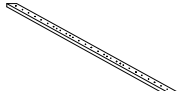

Diagram illustrating assembly instructions for the bed frame, including warnings, time, and person requirements.

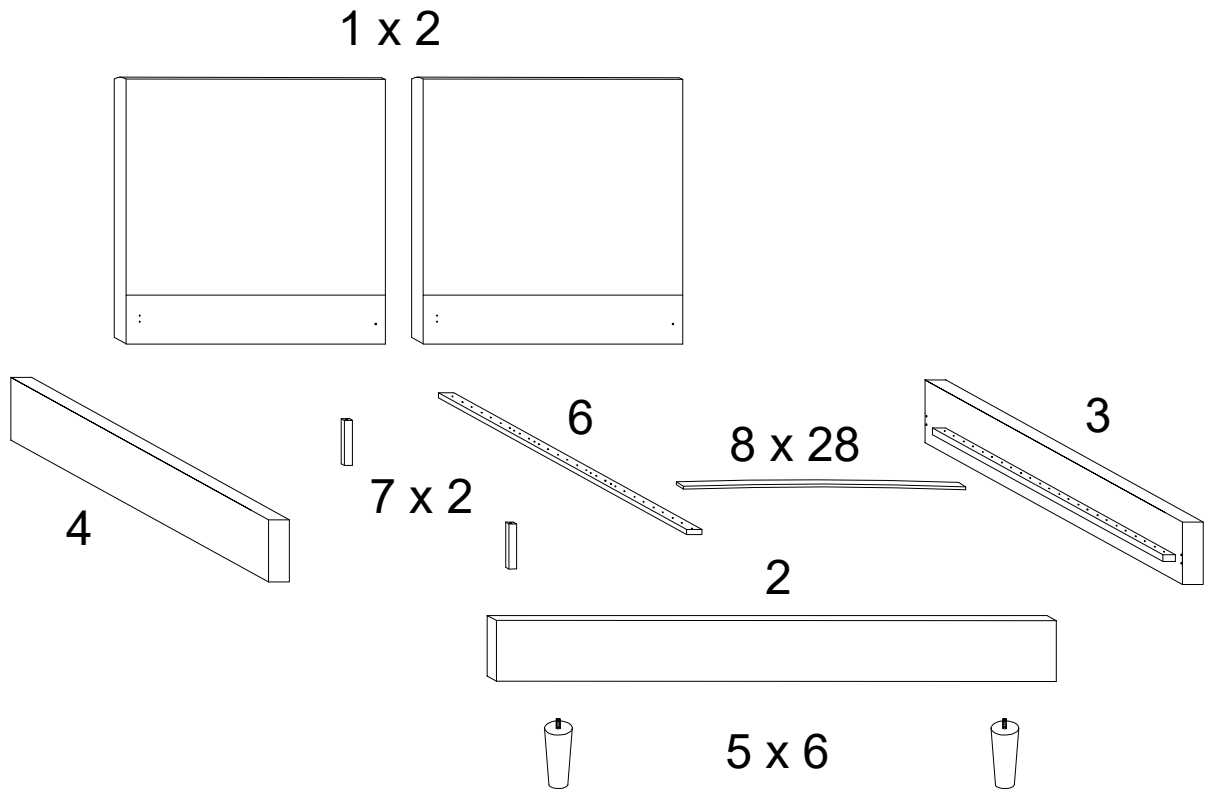
Warning 1: Do not use a power drill. (Icon: L-shaped metal bracket and a crossed-out power drill).


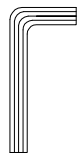
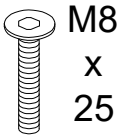
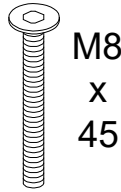
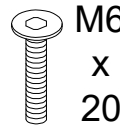
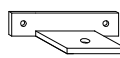
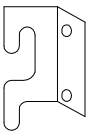
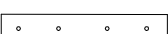
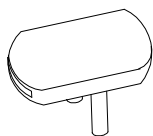
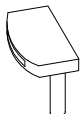
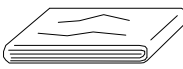
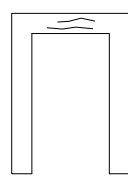
Warning 2: Do not use a screwdriver. (Icon: A rectangular block being inserted into a hole in a base, and a crossed-out screwdriver).

Time: 30' (Icon: A clock face).

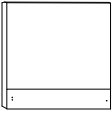
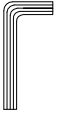
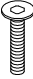
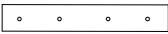
Personnel: 2 (Icon: A person silhouette).

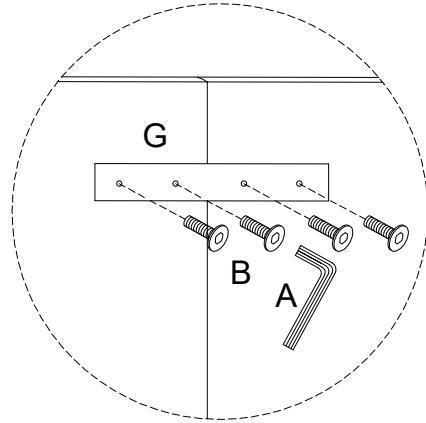
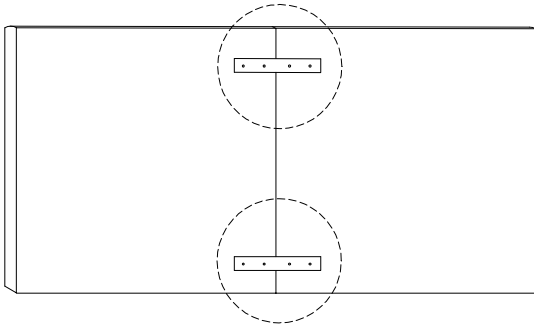
| | | | | | | |
|---|---|---|---|--|---|---|
| 1 | 2 | 3 | 4 | 5 | 6 | 7 |
|  |  |  |  |  |  |  |
| x 2 | x 1 | x 1 | x 1 | x 6 | x 1 | x 2 |




| | | | | | |
|---|---|---|---|---|---|
| 8 | A | B | C | D | E |
|  |  |  |  |  |  |
| x 28 | x 1 | x 28 | x 2 | x 2 | x 2 |
| F | G | H | I | J | K |
|  |  |  |  |  |  |
| x 4 | x 2 | x 14 | x 28 | x 1 | x 1 |

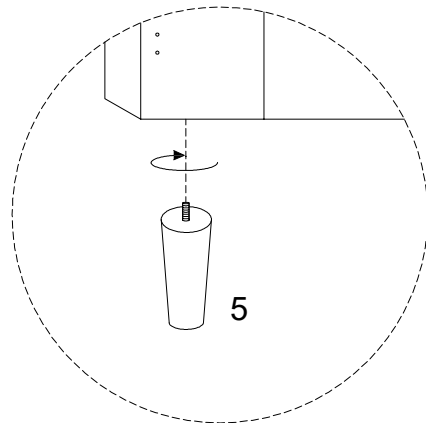
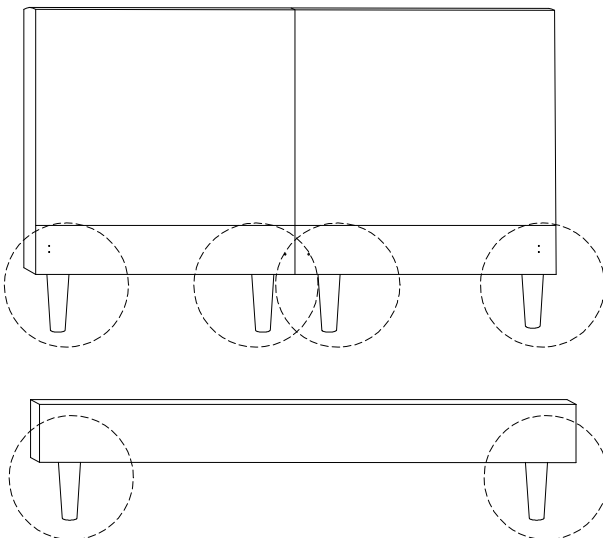
1

| | | | |
|--|--|--|--|
| 1  x 2 | A  x 1 | B  M8 x 25 x 8 | G  x 2 |
|--|--|--|--|

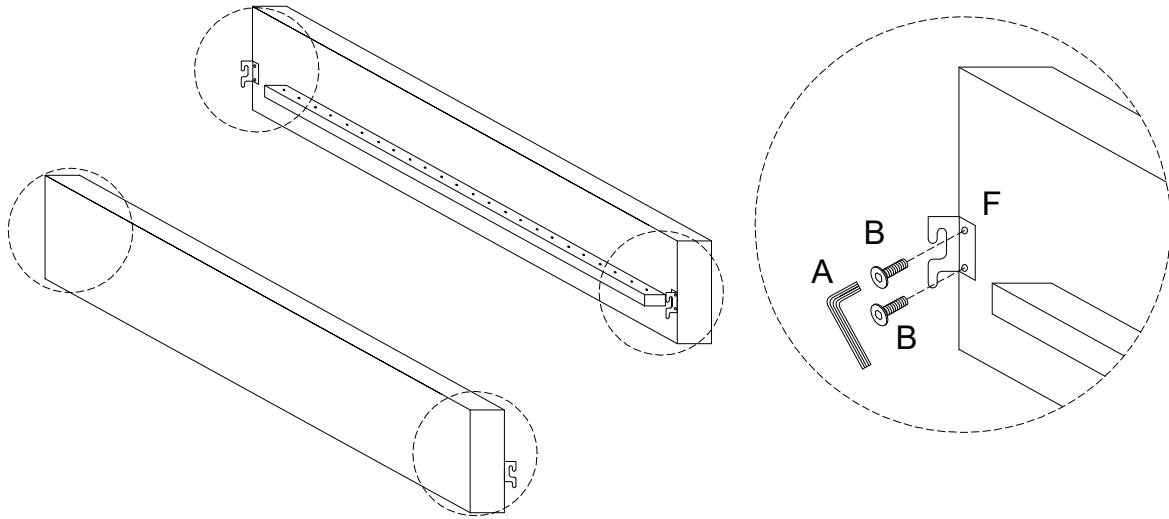
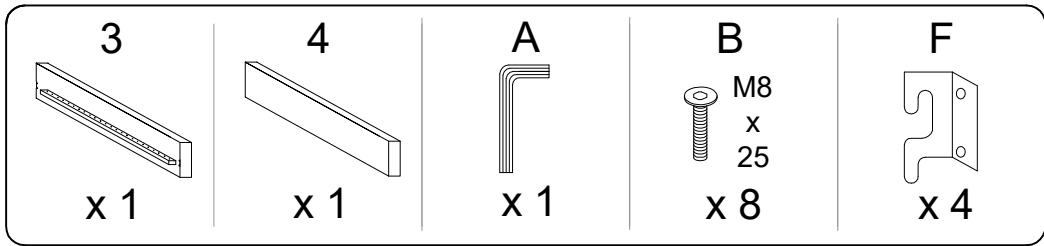


2

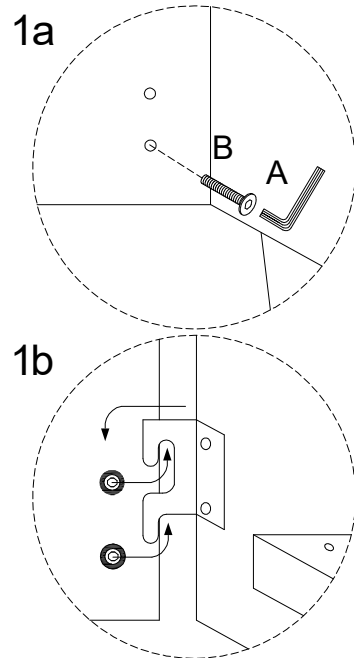
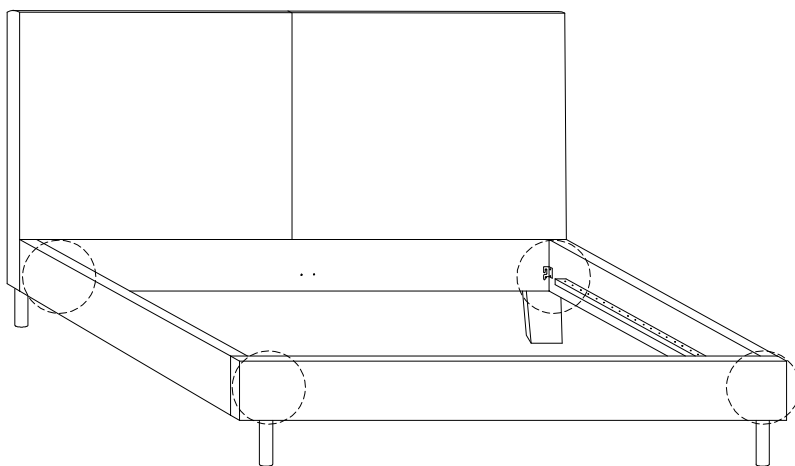
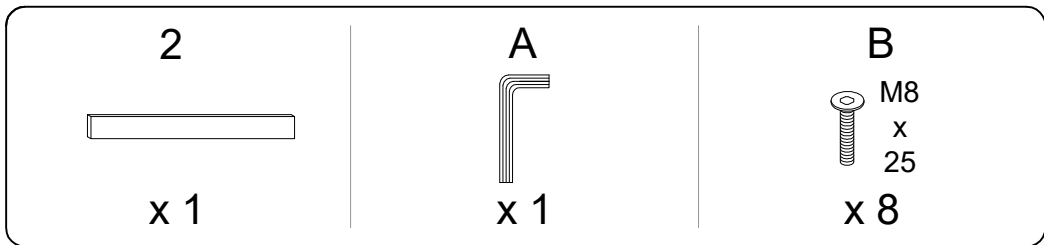
| |
|--|
| 5  x 6 |
|--|



3

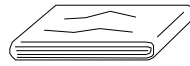


4

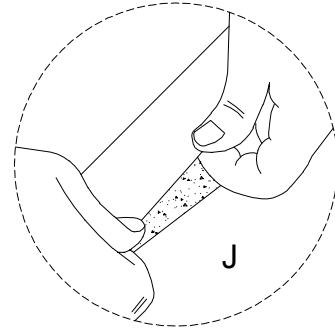
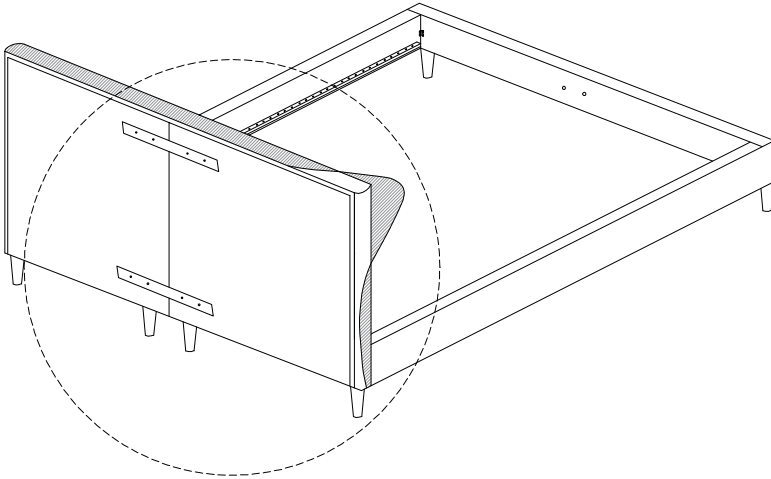


5

J

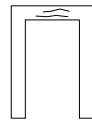


x 1

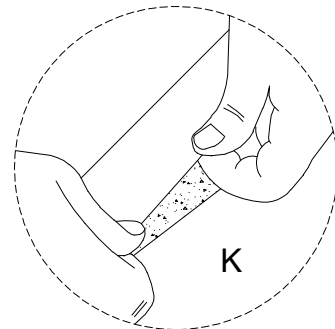
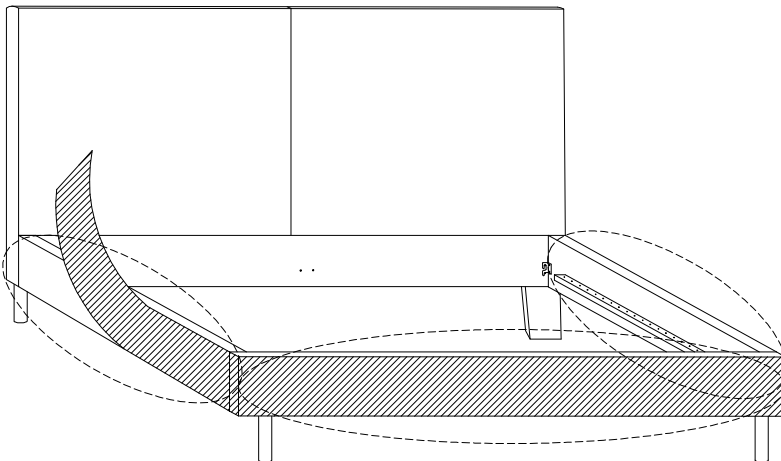


6



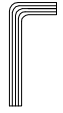
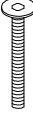
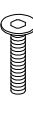
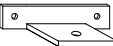
K

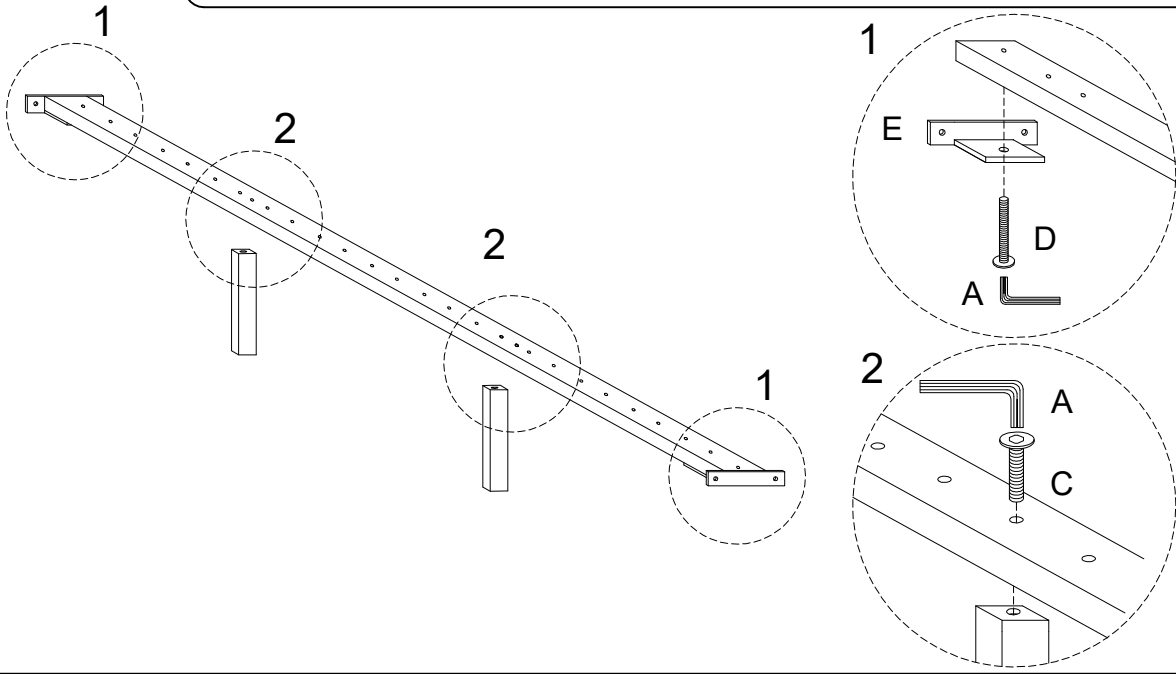


x 1


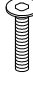


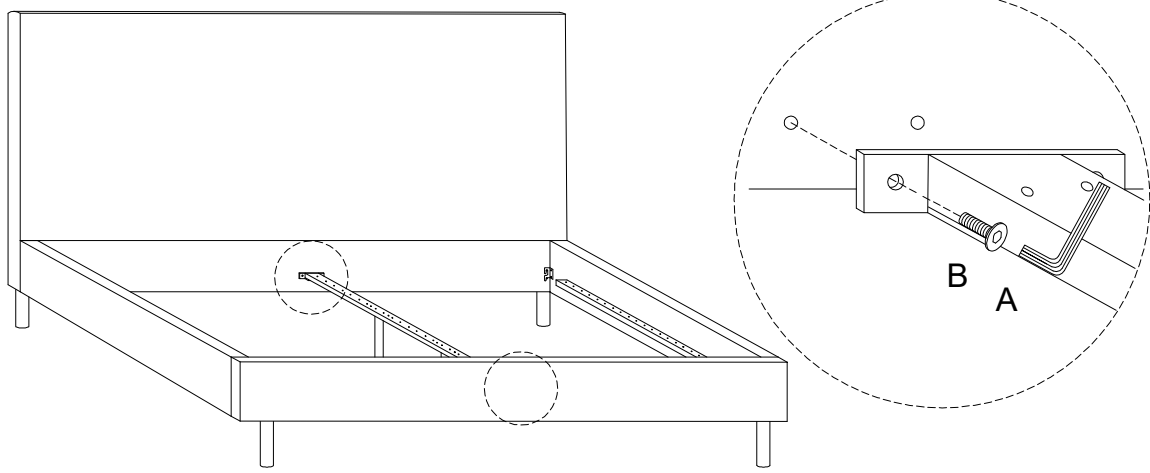
7

| | | | | | |
|--|--|--|--|--|--|
| 6  x 1 | 7  x 2 | A  x 1 | C  M8 x 45 x 2 | D  M6 x 20 x 2 | E  x 2 |
|--|--|--|--|--|--|

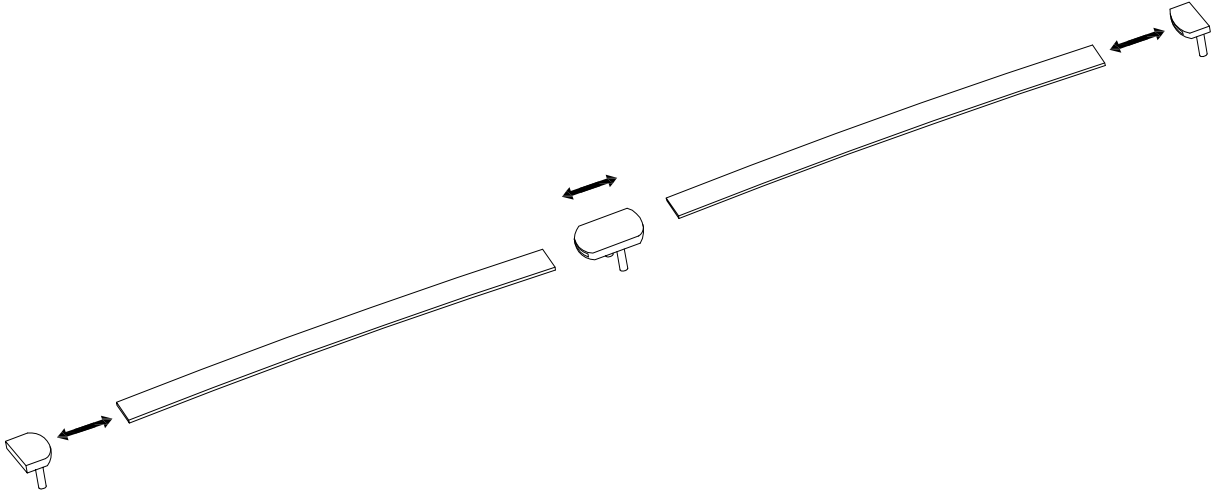
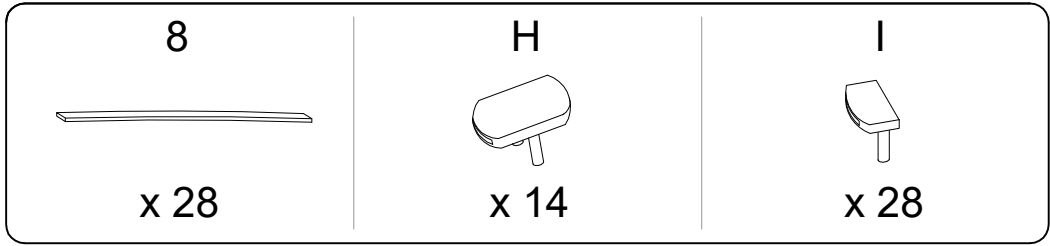


8

| | |
|--|--|
| A  x 1 | B  M8 x 25 x 4 |
|--|--|



9



10

