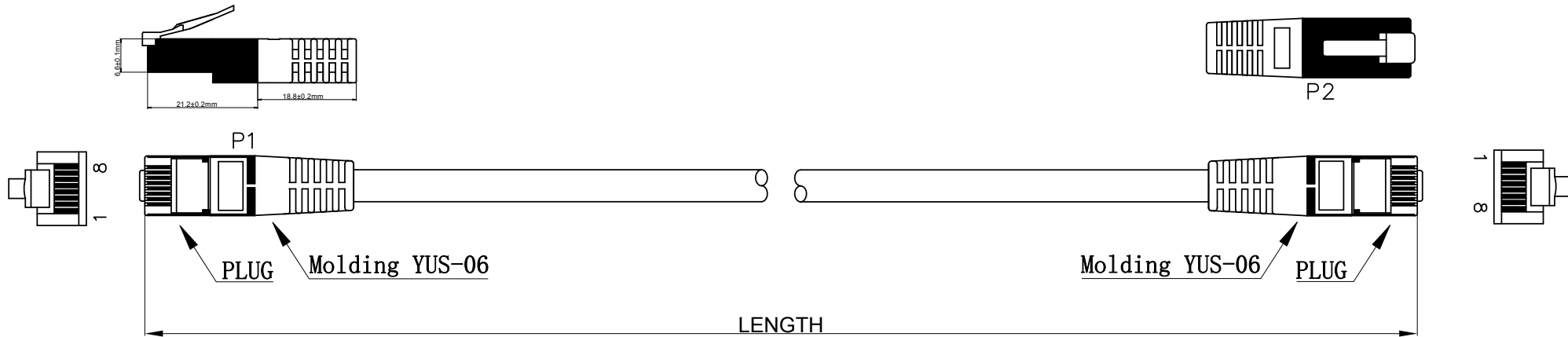
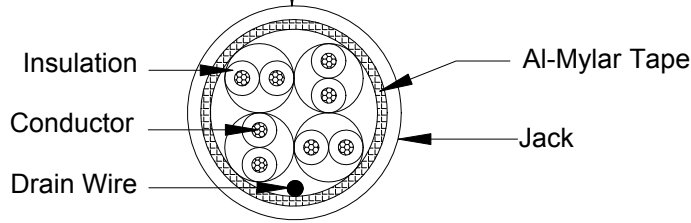


1	2	3	4	5	6	7	8	9	10	
CUSTOMER NAME						DATE	REV	DESCRIPTION		BY
CUSTOMER Part No.						2019. 08. 08	A/0	NEW		LJW



Marking: roline FTP CAT.5E PATCH ISO/IEC 11801 & EN 50288 ▲ 26AWGX4P TYPE CMX(UL) c(UL) CMH E164469-XX
 <FP0570>



Minimum Bending Radius: ≥47mm

PINOUT			
P1(T568B)		P2(T568B)	WIRE
1	↔	1	WHT/ORG
2	↔	2	ORG
3	↔	3	WHT/GRN
6	↔	6	GRN
4	↔	4	BLU
5	↔	5	WHT/BLU
7	↔	7	WHT/BRN
8	↔	8	BRN
S	---	S	---

Conductor		Bare Copper 26AWG
Insulation		Thickness:MIN at any point:0.15mm MAX AVG:0.25mm Diameter:0.90±0.06mm
Jacket	PVC	Thickness:MIN at any point:0.46mm MAX AVG:0.55mm Diameter:5.6±0.2mm
Wire		CAT.5E FTP 26AWGX4P
Plug		YUS-06 8P8C 50U"
Color		YY
Length		XX

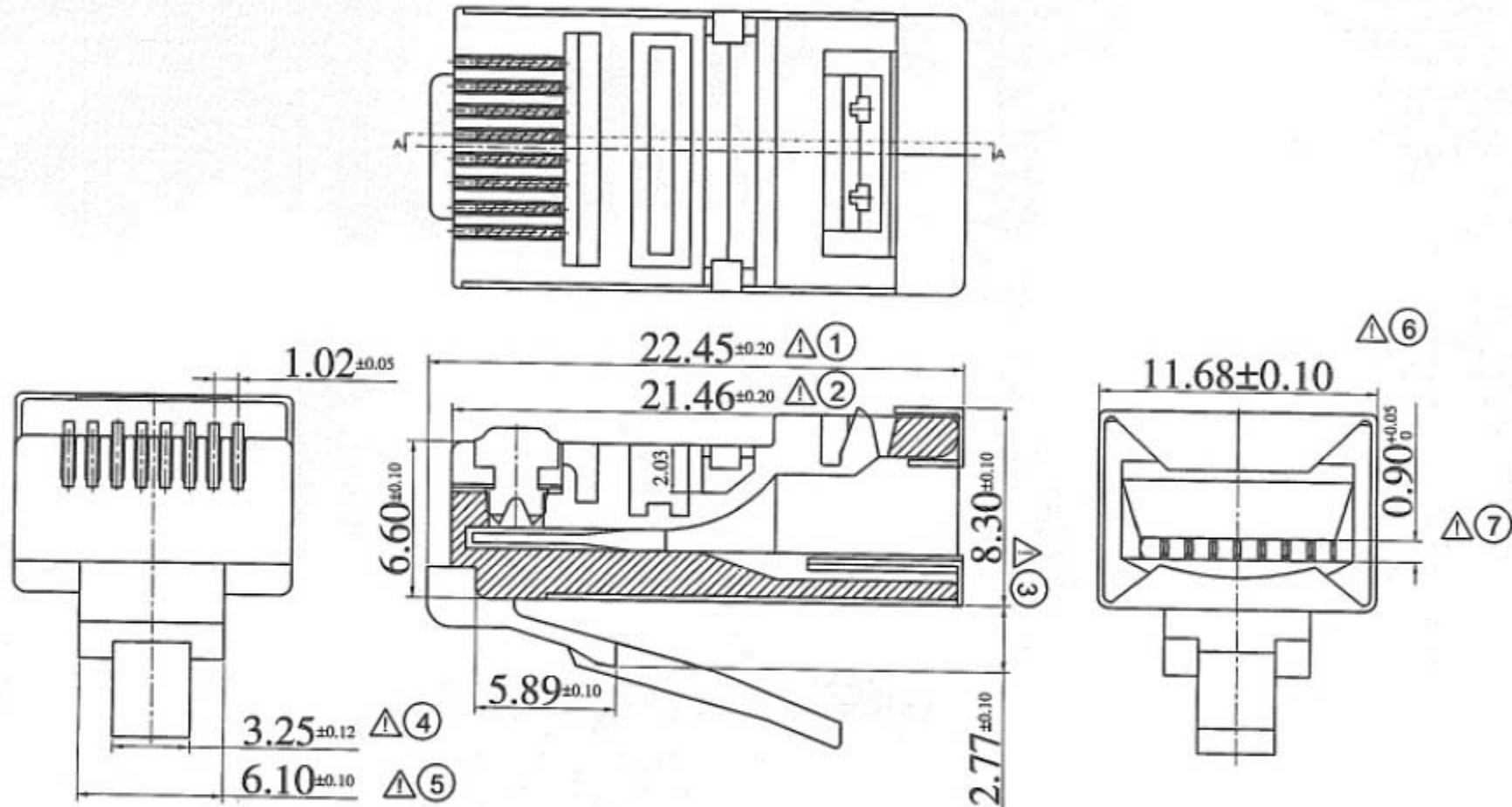
NOTE:
 1.ELECTRICAL TEST:
 <1> 100% OPEN SHORT & MISS WIRE TEST.

SECOMP

Part No.			
Description	CAT.5E FTP 26AWG 4P PVC YUS-06		
UNIT	mm	副厂长	CHECKER
PAGE	1/1	20190816	DRAWER
		贾饒	LJW

CUSTOMER NAME
CUSTOMER Part No.

7	8	9	10
DATE	REV	DESCRIPTION	BY
2016.06.16	B/1	NEW	DMW



NOTE TOL:±0.1

Key Size	Tolerance		
	Critical	Normal	General
0-15	±0.05	±0.10	±1.0
15-60	±0.10	±0.20	
60-150	±0.15	±0.35	±1.5
150-350	±0.20	±0.50	
350-1000	±0.40	±0.65	

SECOMP

Part No.			
Description	8P8C 50u" 五類彈片屏蔽端 (孔徑:0.9mm) (保稅料)		
UNIT	mm	APPROVAL	CHECKER
PAGE	1/1		DRAWER
Draw.No.			DMW

ITEM NO.	Description	Description	公差(單位:MM)
21.15.0181B	ROLINE Patchcable Cat.5e,FTP,1:1,red,0.5m	LAN PATCH C5E FTP 26AWG 4P PVC CMX/CMH Molding RD210 0.5M	±15MM
21.15.0131B	ROLINE Patchcable Cat. 5e, FTP, red, 1m	LAN PATCH C5E FTP 26AWG 4P PVC CMX/CMH Molding RD210 1M	±15MM
21.15.0141B	ROLINE Patchcable Cat.5e, FTP, red, 2m	LAN PATCH C5E FTP 26AWG 4P PVC CMX/CMH Molding RD210 2M	±15MM
21.15.0151B	ROLINE Patchcable Cat. 5e, FTP, red, 3m	LAN PATCH C5E FTP 26AWG 4P PVC CMX/CMH Molding RD210 3M	+15/-20MM
21.15.0161B	ROLINE Patchcable Cat. 5e, FTP, red, 5m	LAN PATCH C5E FTP 26AWG 4P PVC CMX/CMH Molding RD210 5M	±20MM
21.15.0451B	ROLINE FTP Cable Cat.5e, red, 10m	LAN PATCH C5E FTP 26AWG 4P PVC CMX/CMH Molding RD210 10M	+40/-20MM
21.15.0461B	ROLINE FTP Cable Cat.5e, red, 15m	LAN PATCH C5E FTP 26AWG 4P PVC CM Molding RD210 15M	+50/-20MM
21.15.0471B	ROLINE FTP Cable Cat.5e, red, 20m	LAN PATCH C5E FTP 26AWG 4P PVC CMX/CMH Molding RD210 20M	+60/-20MM
21.15.0185B	ROLINE Patchcable Cat.5e,FTP,1:1,black,0.5m	LAN PATCH C5E FTP 26AWG 4P PVC CMX/CMH Molding BK012 0.5M	±15MM
21.15.0135B	ROLINE Patchcable Cat. 5e, FTP, black, 1m	LAN PATCH C5E FTP 26AWG 4P PVC CMX/CMH Molding BK012 1M	±15MM
21.15.0145B	ROLINE Patchcable Cat.5e, FTP, black, 2m	LAN PATCH C5E FTP 26AWG 4P PVC CMX/CMH Molding BK012 2M	±15MM
21.15.0155B	ROLINE Patchcable Cat.5e, FTP, black, 3m	LAN PATCH C5E FTP 26AWG 4P PVC CMX/CMH Molding BK012 3M	+15/-20MM
21.15.0165B	ROLINE Patchcable Cat. 5e, FTP, black, 5m	LAN PATCH C5E FTP 26AWG 4P PVC CMX/CMH Molding BK012 5M	±20MM
21.15.0455B	ROLINE FTP Cable Cat.5e,black,10m	LAN PATCH C5E FTP 26AWG 4P PVC CMX/CMH Molding BK012 10M	+40/-20MM
21.15.0465B	ROLINE FTP Cable Cat.5e,black,15m	LAN PATCH C5E FTP 26AWG 4P PVC CMX/CMH Molding BK012 15M	+50/-20MM
21.15.0475B	ROLINE FTP Cable Cat.5e,black,20m	LAN PATCH C5E FTP 26AWG 4P PVC CMX/CMH Molding BK012 20M	+60/-20MM
21.15.0184B	ROLINE Patchcable Cat. 5e, FTP, 1:1,blue,0.5m	LAN PATCH C5E FTP 26AWG 4P PVC CMX/CMH Molding BU608 0.5M	±15MM
21.15.0134B	ROLINE Patchcable Cat. 5e, FTP, blue, 1m	LAN PATCH C5E FTP 26AWG 4P PVC CMX/CMH Molding BU608 1M	±15MM
21.15.0144B	ROLINE Patchcable Cat. 5e, FTP, blue, 2m	LAN PATCH C5E FTP 26AWG 4P PVC CMX/CMH Molding BU608 2M	±15MM
21.15.0154B	ROLINE Patchcable Cat.5e, FTP, blue, 3m	LAN PATCH C5E FTP 26AWG 4P PVC CMX/CMH Molding BU608 3M	+15/-20MM
21.15.0164B	ROLINE Patchcable Cat. 5e, FTP, blue,5m	LAN PATCH C5E FTP 26AWG 4P PVC CMX/CMH Molding BU608 5M	±20MM
21.15.0454B	ROLINE FTP Cable Cat.5e,blue,10m	LAN PATCH C5E FTP 26AWG 4P PVC CMX/CMH Molding BU608 10M	+40/-20MM
21.15.0464B	ROLINE FTP Cable Cat.5e,blue,15m	LAN PATCH C5E FTP 26AWG 4P PVC CMX/CMH Molding BU608 15M	+50/-20MM
21.15.0474B	ROLINE FTP Cable Cat.5e,blue,20m	LAN PATCH C5E FTP 26AWG 4P PVC CMX/CMH Molding BU608 20M	+60/-20MM
21.15.0183B	ROLINE Patchcable Cat. 5e, FTP, 1:1:green,0.5m	LAN PATCH C5E FTP 26AWG 4P PVC CMX/CMH Molding GN509 0.5M	±15MM
21.15.0133B	ROLINE Patchcable Cat. 5e, FTP, green, 1m	LAN PATCH C5E FTP 26AWG 4P PVC CMX/CMH Molding GN509 1M	±15MM
21.15.0143B	ROLINE Patchcable Cat. 5e, FTP, green, 2m	LAN PATCH C5E FTP 26AWG 4P PVC CMX/CMH Molding GN509 2M	±15MM
21.15.0153B	ROLINE Patchcable Cat.5e, FTP, green, 3m	LAN PATCH C5E FTP 26AWG 4P PVC CMX/CMH Molding GN509 3M	+15/-20MM
21.15.0163B	ROLINE Patchcable Cat. 5e, FTP, green, 5m	LAN PATCH C5E FTP 26AWG 4P PVC CMX/CMH Molding GN509 5M	±20MM
21.15.0453B	ROLINE FTP Cable Cat.5e,green,10m	LAN PATCH C5E FTP 26AWG 4P PVC CMX/CMH Molding GN509 10M	+40/-20MM
21.15.0463B	ROLINE FTP Cable Cat.5e,green,15m	LAN PATCH C5E FTP 26AWG 4P PVC CMX/CMH Molding GN509 15M	+50/-20MM
21.15.0473B	ROLINE FTP Cable Cat.5e,green,20m	LAN PATCH C5E FTP 26AWG 4P PVC CMX/CMH Molding GN509 20M	+60/-20MM
21.15.0100B	ROLINE FTP Patch Cord Cat.5e, grey, 0.5m	LAN PATCH C5E FTP 26AWG 4P PVC CMX/CMH Molding GY825 0.5M	±15MM
21.15.0101B	ROLINE FTP Patch Cord Cat.5e, grey, 1.0m	LAN PATCH C5E FTP 26AWG 4P PVC CMX/CMH Molding GY825 1M	±15MM
21.15.0102B	ROLINE FTP Patch Cord Cat.5e, grey, 2.0m	LAN PATCH C5E FTP 26AWG 4P PVC CMX/CMH Molding GY825 2M	±15MM
21.15.0103B	ROLINE FTP Patch Cord Cat.5e, grey, 3.0m	LAN PATCH C5E FTP 26AWG 4P PVC CMX/CMH Molding GY825 3M	+15/-20MM
21.15.0203B	ROLINE Patchcable Cat.5e,FTP,crosswire,grey,3m	LAN PATCH C5E FTP 26AWG 4P PVC CMX/CMH Molding GY825 3M	+15/-20MM
21.15.0105B	ROLINE FTP Patch Cord Cat.5e, grey, 5.0m	LAN PATCH C5E FTP 26AWG 4P PVC CMX/CMH Molding GY825 5M	±20MM
21.15.0107B	ROLINE FTP Patch Cord Cat.5e, grey, 7.0m	LAN PATCH C5E FTP 26AWG 4P PVC CMX/CMH Molding GY825 7M	+40/-20MM
21.15.0110B	ROLINE FTP Patch Cord Cat.5e, grey, 10m	LAN PATCH C5E FTP 26AWG 4P PVC CMX/CMH Molding GY825 10M	+40/-20MM
21.15.0115B	ROLINE FTP Patch Cord Cat.5e, grey, 15m	LAN PATCH C5E FTP 26AWG 4P PVC CMX/CMH Molding GY825 15M	+50/-20MM
21.15.0120B	ROLINE Patchcable Cat.5e,FTP,grey, 20m	LAN PATCH C5E FTP 26AWG 4P PVC CMX/CMH Molding GY825 20M	+60/-20MM
21.15.0182B	ROLINE Patchcable Cat. 5e, FTP,1:1,yellow,0.5m	LAN PATCH C5E FTP 26AWG 4P PVC CMX/CMH Molding YE406 0.5M	±15MM
21.15.0132B	ROLINE Patchcable Cat.5e,FTP,yellow, 1m	LAN PATCH C5E FTP 26AWG 4P PVC CMX/CMH Molding YE406 1M	±15MM
21.15.0142B	ROLINE Patchcable Cat. 5e, FTP, yellow, 2m	LAN PATCH C5E FTP 26AWG 4P PVC CMX/CMH Molding YE406 2M	±15MM
21.15.0152B	ROLINE Patchcable Cat. 5e, FTP, yellow, 3m	LAN PATCH C5E FTP 26AWG 4P PVC CMX/CMH Molding YE406 3M	+15/-20MM
21.15.0162B	ROLINE Patchcable Cat.5e,FTP,yellow, 5m	LAN PATCH C5E FTP 26AWG 4P PVC CMX/CMH Molding YE406 5M	±20MM
21.15.0452B	ROLINE FTP Cable Cat.5e,yellow,10m	LAN PATCH C5E FTP 26AWG 4P PVC CMX/CMH Molding YE406 10M	+40/-20MM
21.15.0462B	ROLINE FTP Cable Cat.5e, yellow, 15m	LAN PATCH C5E FTP 26AWG 4P PVC CMX/CMH Molding YE406 15M	+50/-20MM
21.15.0472B	ROLINE FTP Cable Cat.5e,yellow,20m	LAN PATCH C5E FTP 26AWG 4P PVC CMX/CMH Molding YE406 20M	+60/-20MM