



Datenblatt - Fiche technique - Data sheet

11.09.4382

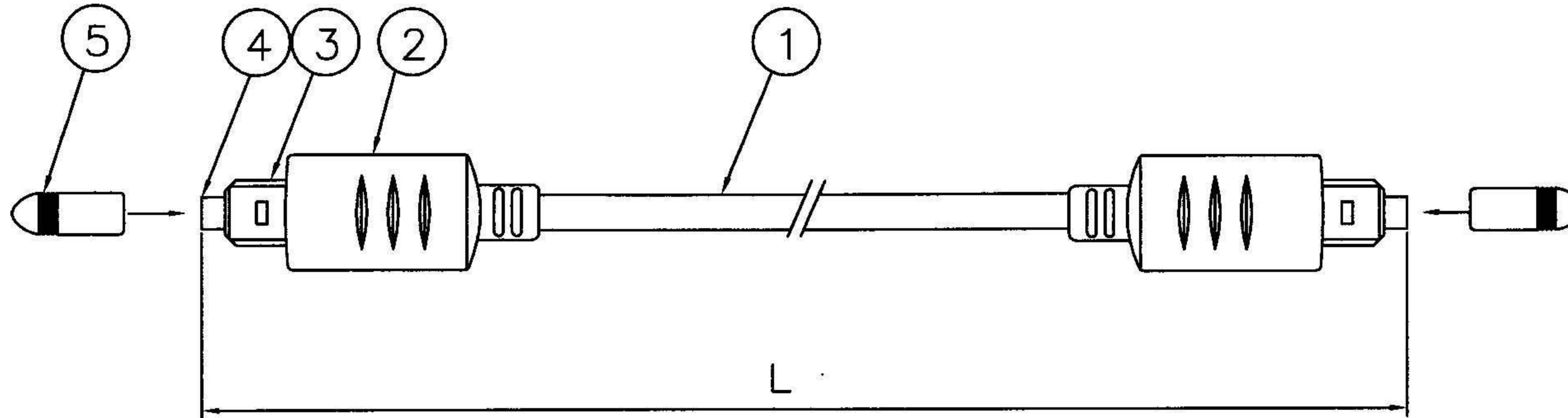


ROLINE Fiber-Kabel Toslink ST / ST, 2m

ROLINE Câble Toslink M/M, 2m

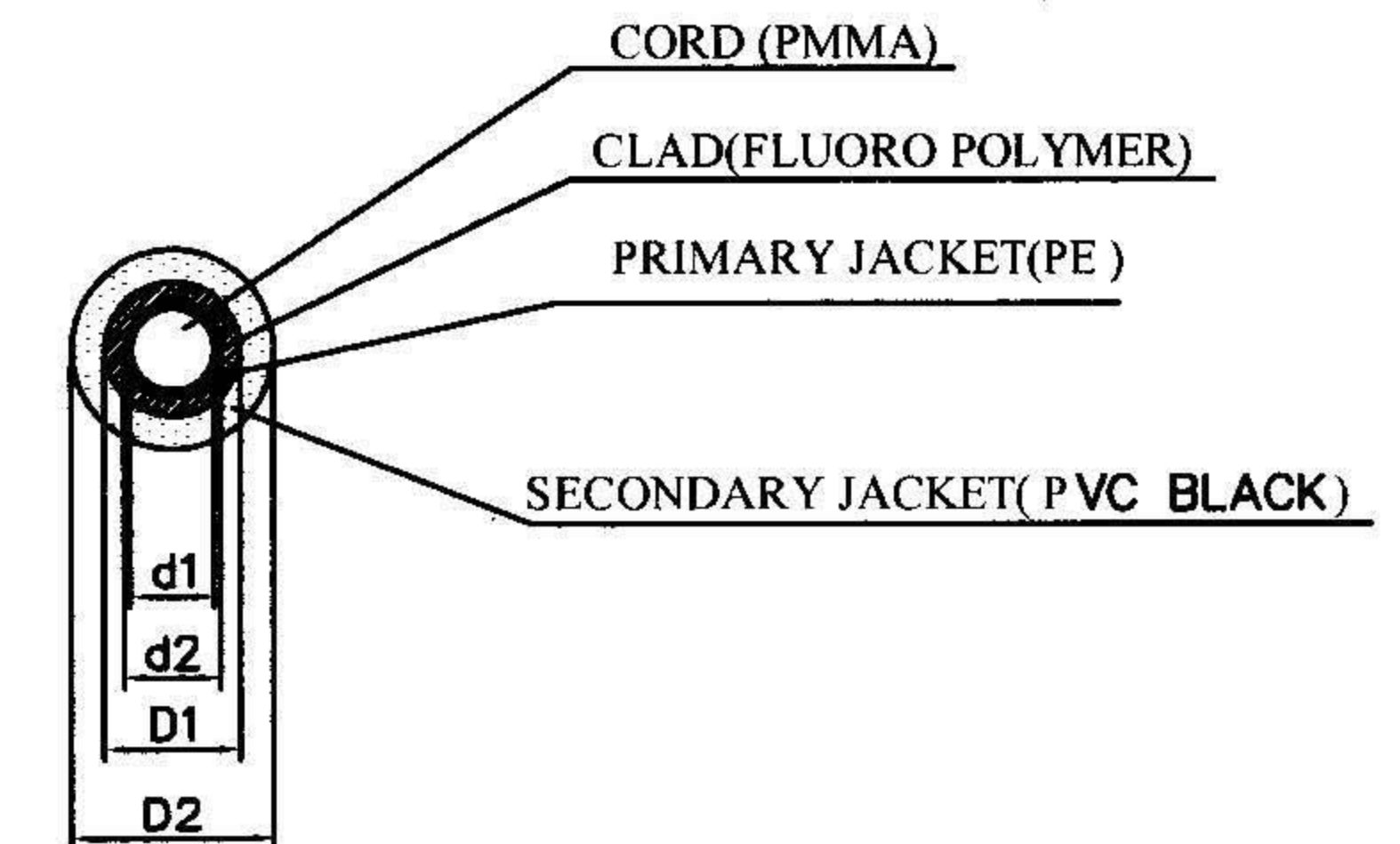
ROLINE Fiber Cable Toslink M - M, 2 m

1. DIMENSION



Item no.	L
11.09.4381	1000±30
11.09.4382	2000±50
11.09.4383	3000±100
11.99.4381	1000±30
11.99.4382	2000±50
11.99.4383	3000±100

CORD SPEC.



d1... CORE DIAMETER	φ 0.98mm
d2... CLAD DIAMETER	φ 1.0mm
D1... PRIMARY JACKET DIAMETER	φ 2.2±0.07mm
D2... SECONDARY JACKET DIAMETER	φ 4.0±0.2mm

NOTE:

1. 100 % TESTING.

2. TRANSMISSION LOSS 4.0 dB (L=5M) OR LESS

PART LISTS

NO	DESCRIPTION	MATERIAL	Q'TY	COLOR.FINISHED
1	OPTICAL FIBER CABLE	PVC	1	BLACK
2	OPT PLUG CAP	PVC	2	BLACK
3	TOSLINK OPT PLUG	PBT+G30%	1	BLACK
4	CENTER PIN	BRASS	1	GOLD PLATED
5	PROTECTIVE CAP	PVC	2	TRANSPARENT

REV : 1

△					表面		Rotronic Co., Ltd.
△					顏色		
△					COLOR		
△					厚度		
△					THICKNESS		
△					處理		
△					PROCESS		
△					材質		
△					MATERIAL		
記號	修正	日期	檢	擔	認	公差	件 PART NO 11.09.4381,82,83 11.99.4381,82,83 號 DESCRIPTION OPTICAL FIBER 名稱 CONNECTING CABLE 圖 DRAWN NO. SP-1712 號 SHEET 1/1
MARK	REVISION	DATE	SIGN	APPO	TOLERANCE	SCALE	
APPROVED BY	DESIGNED BY	DATE	SIGN	APPO	SCALE	單位	
96.6.6	SHEU	2007-6-4	SHEU	SHEU	mm		