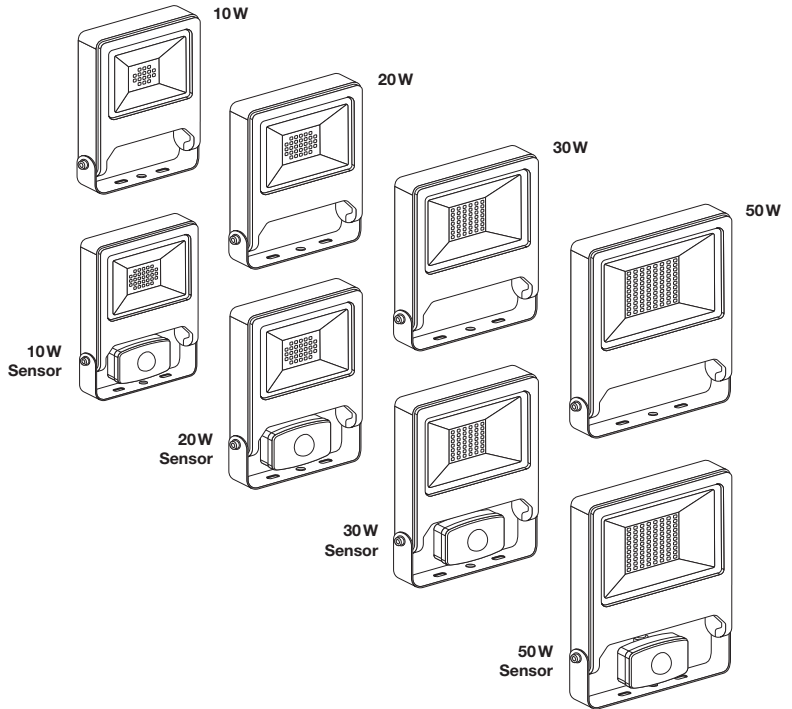
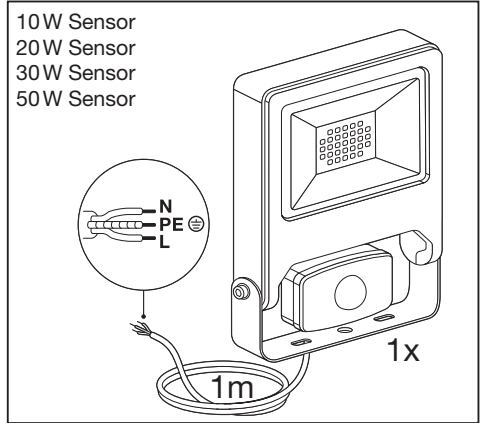
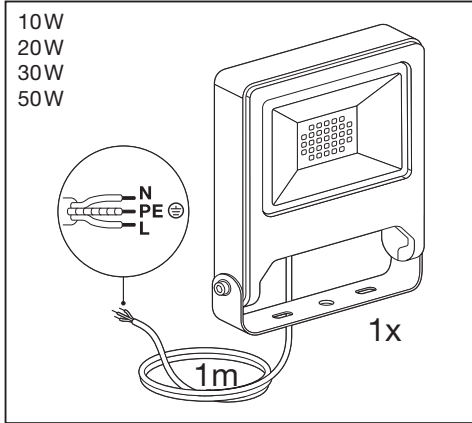


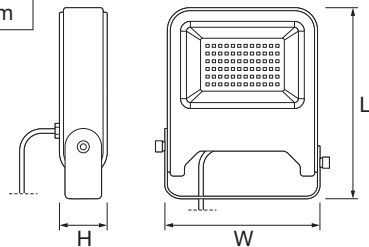
ENDURA® FLOOD




	EAN	W	lm	K	°(°C)	V~	mA	Hz	PF
ENDURA® FLOOD 10W 840 DG	4058075206663	10	800	4000	-20...+45	220-240	46	50/60	≥0.9
ENDURA® FLOOD 20W 840 DG	4058075206687	20	1700	4000	-20...+45	220-240	92	50/60	≥0.9
ENDURA® FLOOD 30W 840 DG	4058075206700	30	2700	4000	-20...+45	220-240	145	50/60	≥0.9
ENDURA® FLOOD 50W 840 DG	4058075206724	50	4500	4000	-20...+45	220-240	220	50/60	≥0.9
ENDURA® FLOOD SENSOR 10W 840 DG	4058075292192	10	800	4000	-10...+40	220-240	46	50/60	≥0.7
ENDURA® FLOOD SENSOR 20W 840 DG	4058075206748	20	1700	4000	-10...+40	220-240	92	50/60	≥0.7
ENDURA® FLOOD SENSOR 30W 840 DG	4058075206762	30	2700	4000	-10...+40	220-240	145	50/60	≥0.9
ENDURA® FLOOD SENSOR 50W 840 DG	4058075206786	50	4500	4000	-10...+40	220-240	220	50/60	≥0.9

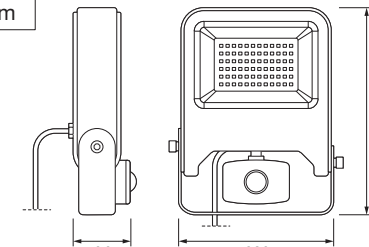



mm

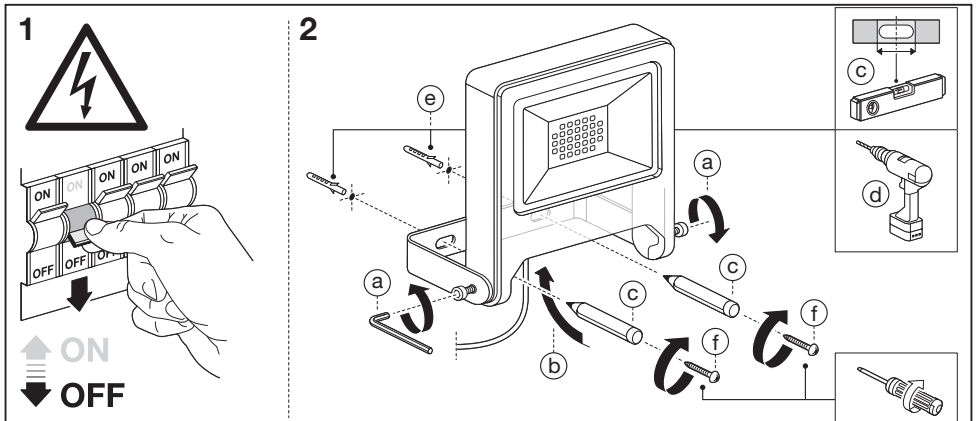


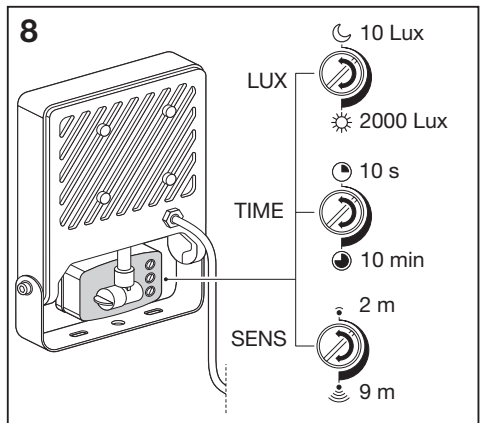
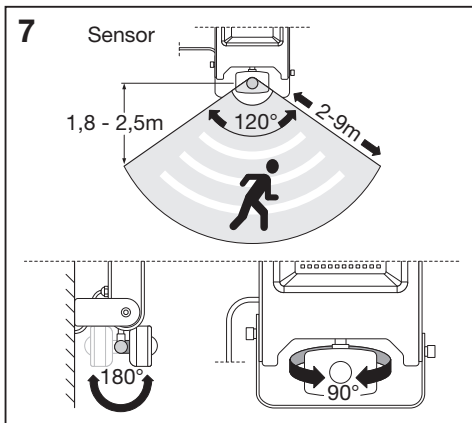
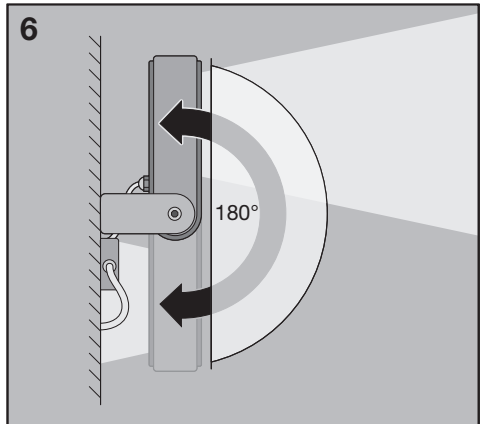
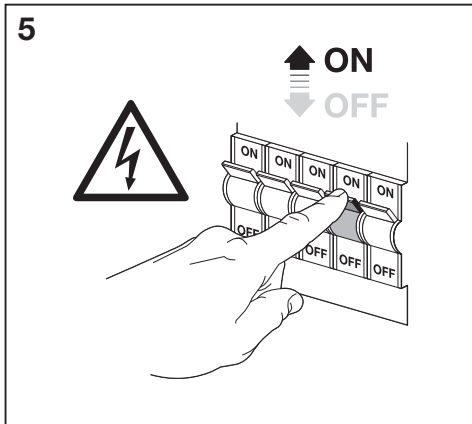
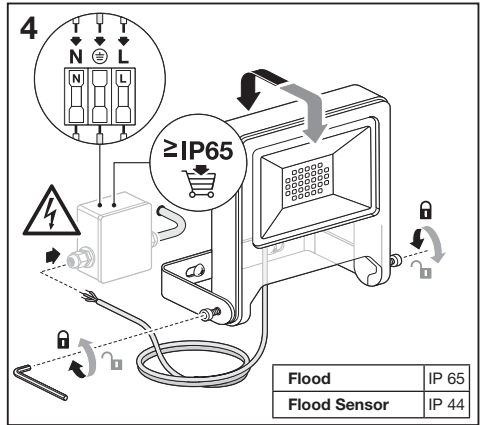
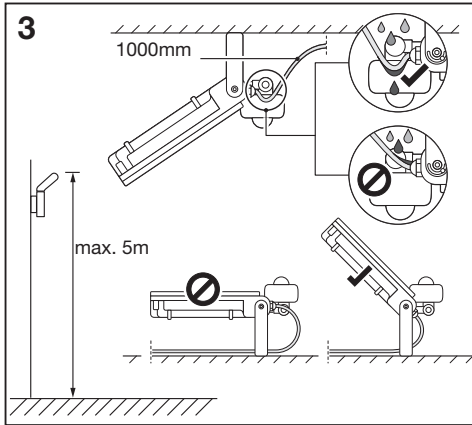
	L	W	H	
Flood 10W	122	108	33	280g
Flood 20W	153	133	34	405g
Flood 30W	193	170	39	650g
Flood 50W	245	210	43	1070g

mm

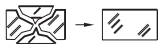
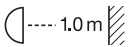


	L	W	H	
Flood 10W Sensor	168	108	63	380g
Flood 20W Sensor	189	133	66	490g
Flood 30W Sensor	223	170	66	720g
Flood 50W Sensor	267	210	70	1150g





	EAN	This product contains a light source of energy efficiency class	Contained Light Source
ENDURA® FLOOD 10 W 840 DG	4058075206663	F	
ENDURA® FLOOD 20 W 840 DG	4058075206687	F	
ENDURA® FLOOD 30 W 840 DG	4058075206700	F	
ENDURA® FLOOD 50 W 840 DG	4058075206724	F	
ENDURA® FLOOD SENSOR 10 W 840 DG	4058075292192	F	
ENDURA® FLOOD SENSOR	4058075206748	F	
ENDURA® FLOOD SENSOR 30 W 840 DG	4058075206762	F	
ENDURA® FLOOD SENSOR 50 W 840 DG	4058075206786	F	



C10449057
G11121776
04.06.2021



LEDVANCE GmbH
Steinerne Furt 62
86167 Augsburg, Germany
www.ledvance.com