

DENVER[®]



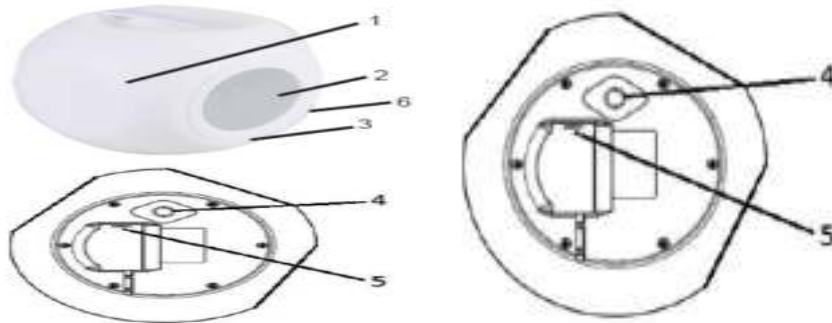
BTL-70

Instruction Manual

www.denver-electronics.com

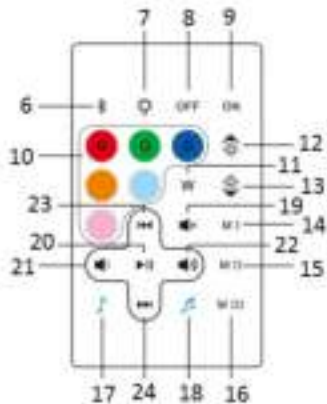
Before operating this product, please read this instruction manual completely for optimal usage.

Product Overview & Remote Control



1	LED light	4	Power ON/OFF button and color changing (press and hold to turn on or off the unit, short press to change the color)
2	Speaker	5	DC charging port
3	LED charging indicator	6	Remote sensor

Remote Control

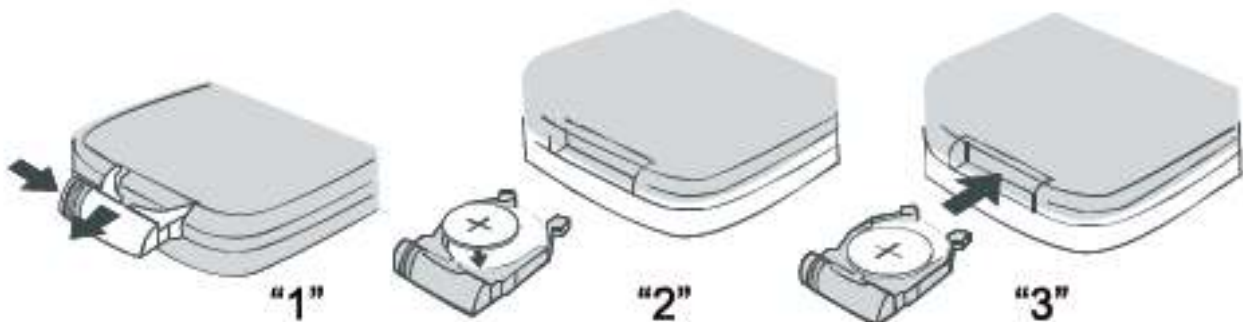


No	Function	Operation
6	Bluetooth connection/disconnection	Short press for Bluetooth disconnection to enter the pairing mode.
7	Light on/off	Short press to turn light on/off
8	Power off (standby)	To turn off the power
9	Power on (valid only when the speaker is in standby mode)	To turn on the power
10	Color selection	To select color light
11	White light	To change to white color LED light
12	Increase the light (valid for R/G/B light only)	Short press to increase the light brightness
13	Decrease the light (valid for R/G/B	Short press to decrease the light

	light only)	brightness
14	Light mode 1	Color changing light
15	Light mode 2	Color changing light with changing light brightness
16	Light mode 3	Color changing light with rapid flash
17	One color light dancing to the music	Use one LED color light with the music, short press to change another color
18	Multicolor light dancing to the music	Use Multicolor LED color light with the music
19	Mute the speaker	Short press to turn the sound off or on
20	Play/Pause	Short press to pause music or resume music playback
21	Volume decrease	Long press to decrease the volume
22	Volume increase	Long press to increase the volume
23	Previous track	Short press to skip to the previous track
24	Next track	Short press to skip to the next track

The remote control includes the battery (1 CR2025/32 Lithium battery). When the battery is drained, replace the battery as below.

1. Pull the battery tray out of the battery compartment of the remote control.
2. Place a new CR2025/32 button cell battery in the tray, as per the indicated polarity.
3. Close the battery tray.



INSTRUCTIONS FOR USE

Charging the speaker

For best performance, fully charge the speaker before its first use.

1. Connect the USB charging cord (included) to the DC 5V charging port of the speaker, and insert the other end into a port on your computer or similar power source.

2. The red LED glows indicating that the battery is being charged. Once it is fully charged, the Red LED will turn off. It will take around 4 - 5 hours to fully charge the battery.

Turn on/off the speaker

Press and hold the power button for 2-4 seconds until you hear the indication tone. The LED light turns on and blinks, and the speaker is now turned on and enters the pairing mode.

Press and hold the power button for 2-4 seconds to turn off the speaker.

Switch the speaker to Bluetooth pairing mode

1. Press and hold the power button for 2-4 seconds until you hear the indication tone.
2. The LED light turns on and blinks, and the speaker is now turned on and enters the pairing mode.

(Note: The speaker automatically connects to the previously paired devices)

Pair the speaker with your Bluetooth device

The speaker can wirelessly stream audio from any Bluetooth enabled device within the distance of 27-33 feet. Simply follow the below steps.

1. Press and hold the power button for 2-4 seconds until you hear the indication tone.
2. The LED light turns on and blinks, and the speaker is now turned on and enters the pairing mode.
3. Turn on the Bluetooth function on your device (such as mobile phone, tablet, or computer).
4. Your Bluetooth device searches various Bluetooth devices.
5. The pairing name of this speaker is **Denver BTL-70**. Select the speaker name to pair with your device.
6. If required, enter the password '0000' to confirm the pairing.
7. Once paired successfully, an indication tone can be heard.
8. If you fail to pair it within the time frame or you want to pair it with a new device, repeat the steps described above.

Select and play your favorite song on your Bluetooth device, then the music streams to the speaker.

Listen to music wirelessly

Please ensure that your Bluetooth device (iPhone, Tablet or Other Smart Phone) is paired with the speaker. When your Bluetooth device is connected to the speaker, play music on your Bluetooth device, and you can hear music through this speaker.

Troubleshooting

Problem	Possible Cause	Solution
Low sound level	Volume from the source (tablet, mobile phone, laptop, etc.) is too low. Battery is depleting.	Adjust source volume. Charge the battery.
Sound distorted	Battery is depleting.	Charge the battery.
No sound at all.	Source (tablet, mobile phone, laptop, etc.) is turned off. The speaker is turned off. Volume from the source is turned down. Source music is paused.	Turn the source on. Turn the speaker on. Adjust source volume. Resume music playback on the source.

Care and Maintenance

Clean the unit with a soft, damp cloth. Never use chemicals or hard abrasives.
Store in a cool dry place, away from any wet or damp.

ALL RIGHTS RESERVED, COPYRIGHT DENVER ELECTRONICS A/S

DENVER®

www.denver-electronics.com



Electric and electronic equipment and included batteries contains materials, components and substances that can be hazardous to your health and the environment, if the waste material (discarded electric and electronic equipment and batteries) is not handled correctly.

Electric and electronic equipment and batteries is marked with the crossed out trash can symbol, seen below. This symbol signifies that electric and electronic equipment and batteries should not be disposed of with other household waste, but should be disposed of separately.

As the end user it is important that you submit your used batteries to the appropriate and designated facility. In this manner you make sure that the batteries are recycled in accordance with legislature and will not harm the environment.

All cities have established collection points, where electric and electronic equipment and batteries can either be submitted free of charge at recycling stations and other collection sites, or be collected from the households. Additional information is available at the technical department of your city.

Hereby, Inter Sales A/S declares that the radio equipment type BTL-70 is in compliance with Directive 2014/53/EU. The full text of the EU declaration of conformity is available at the following internet address: www.denver-electronics.com and then click the search ICON on topline of website. Write modelnumber: BTL-70. Now enter product page, and red directive is found under downloads/other downloads

Operating Frequency Range:
Max Output Power:

DENVER ELECTRONICS A/S
Omega 5A, Soeften
DK-8382 Hinnerup
Denmark

www.facebook.com/denverelectronics