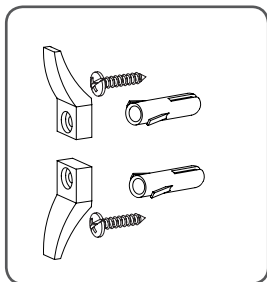
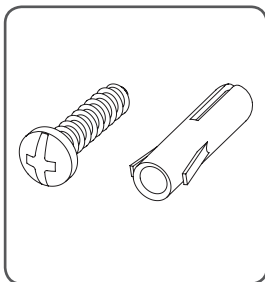
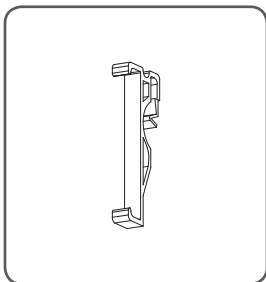
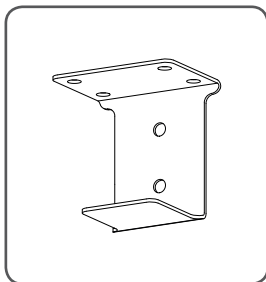
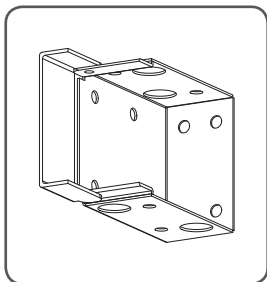
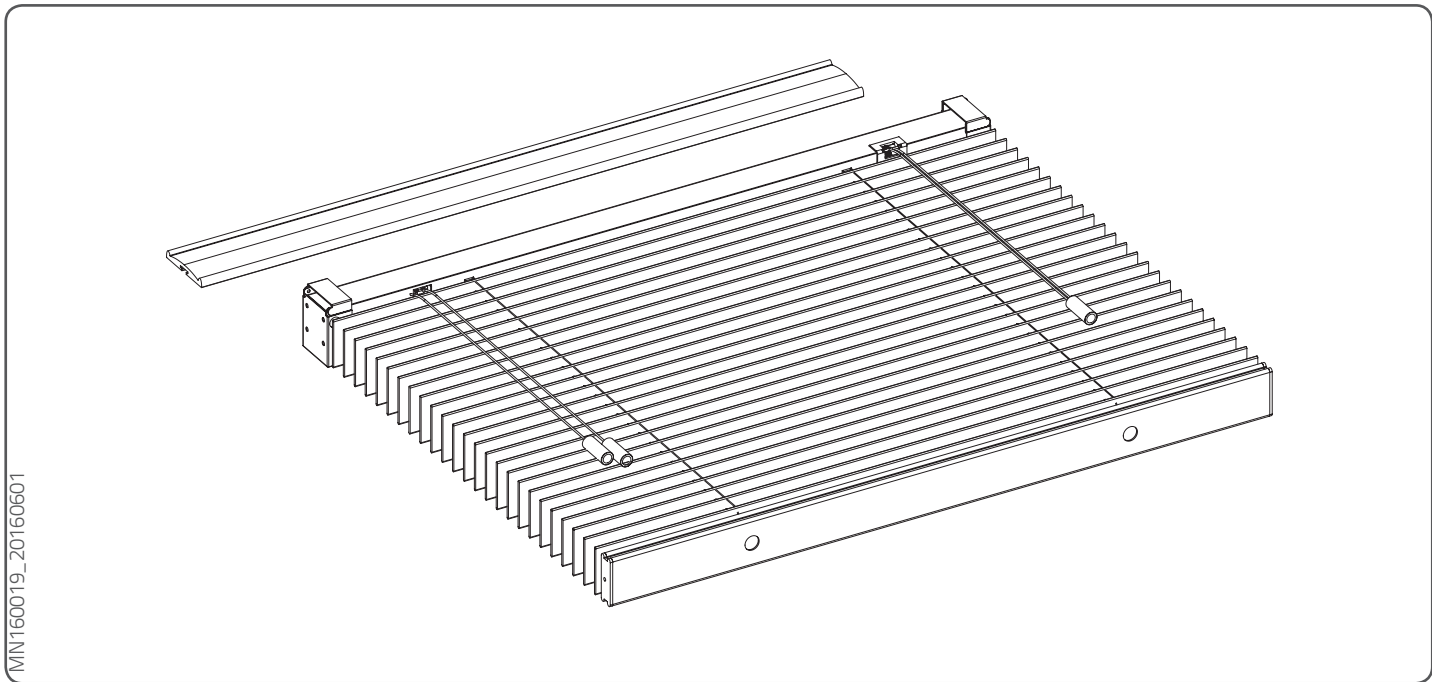


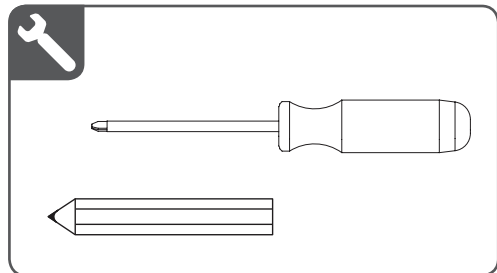
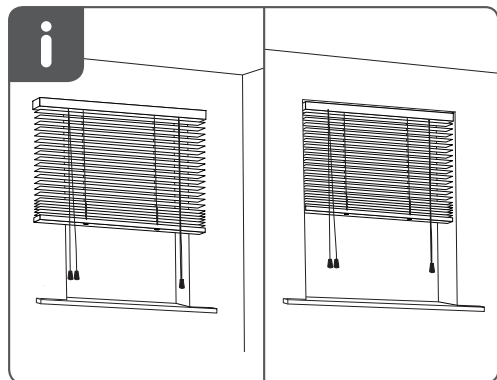
50MM

Montage: Kunststof jaloezie 50 mm

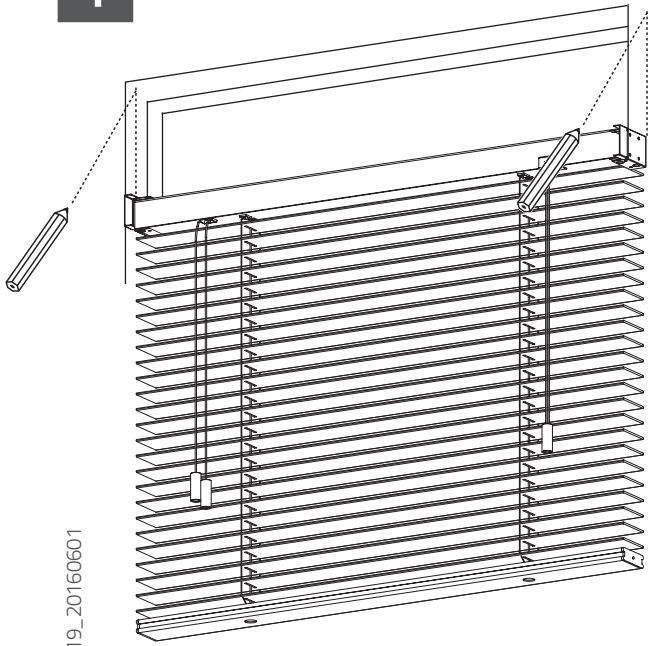
MN160019\_20160601



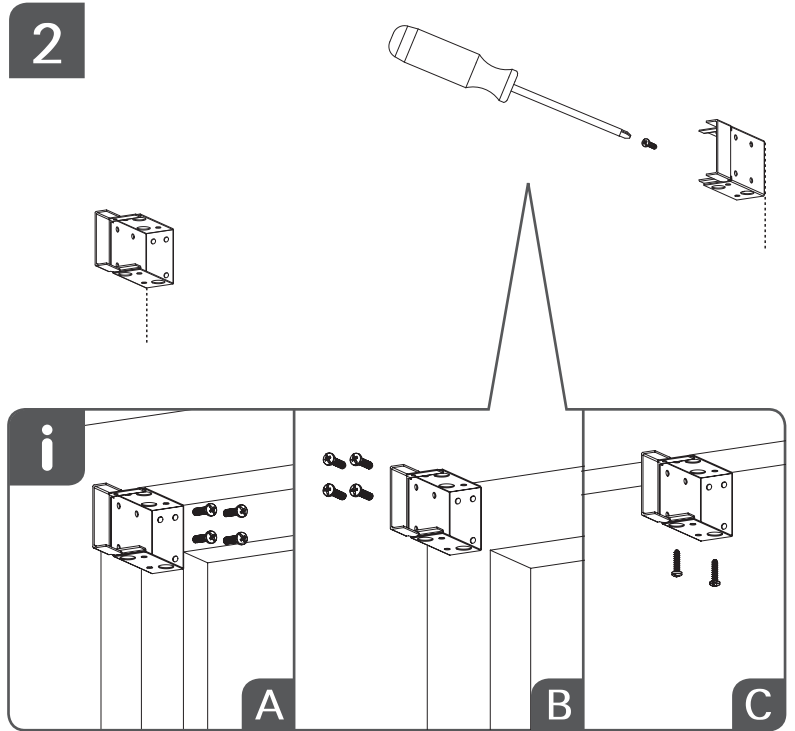
i	50MM	50MM				
	↑↓	←→				
130 cm	60-75 cm	1 L+1 R	-	2 x	12 x	
130 cm	90 cm	1 L+1 R	1 x	2 x	16 x	
130 cm	105 cm	1 L+1 R	2 x	3 x	20 x	
130 cm	120-130 cm	1 L+1 R	2 x	4 x	20 x	
175 cm	60-75 cm	1 L+1 R	-	2 x	12 x	
175 cm	90 cm	1 L+1 R	1 x	2 x	16 x	
175 cm	105 cm	1 L+1 R	2 x	3 x	20 x	
175 cm	120-160 cm	1 L+1 R	2 x	4 x	20 x	
175 cm	180 -210 cm	1 L+1 R	2 x	5 x	20 x	
240 cm	60-75 cm	1 L+1 R	-	2 x	12 x	
240 cm	90 cm	1 L+1 R	1 x	2 x	16 x	
240 cm	105 cm	1 L+1 R	2 x	3 x	20 x	
240 cm	120-150 cm	1 L+1 R	2 x	4 x	20 x	
240 cm	180-210 cm	1 L+1 R	2 x	5 x	20 x	



1

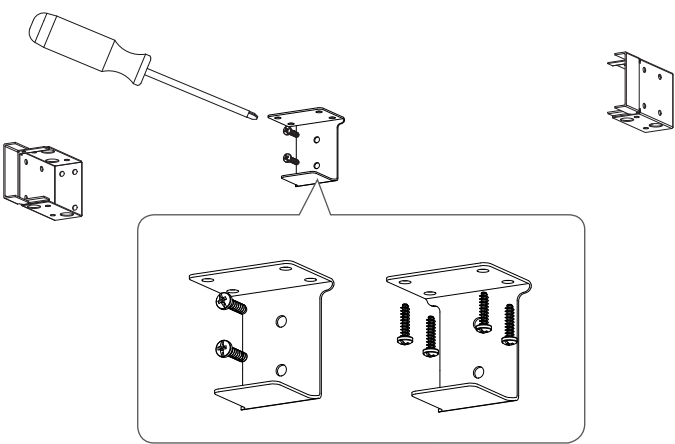


2

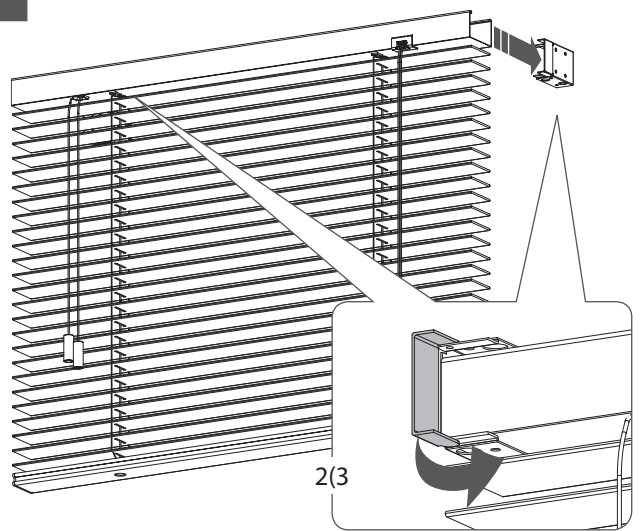


MN160019\_20160601

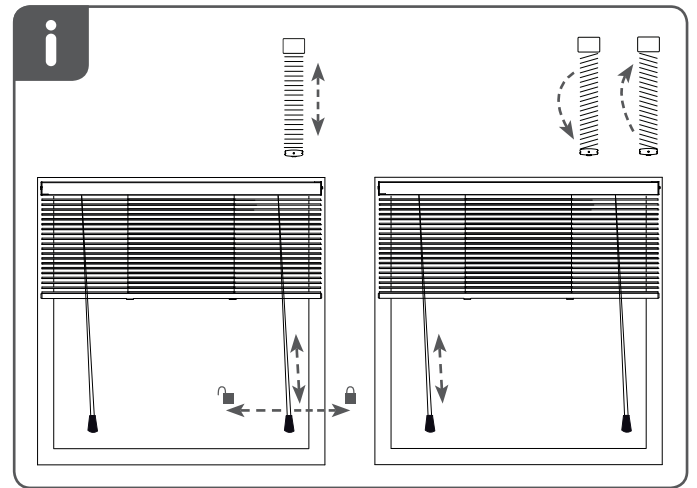
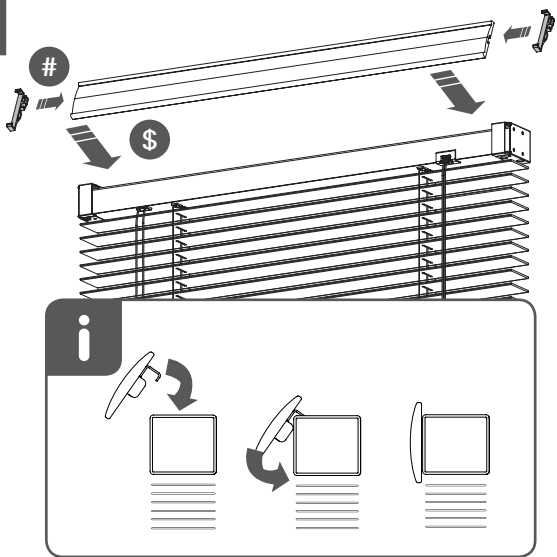
3



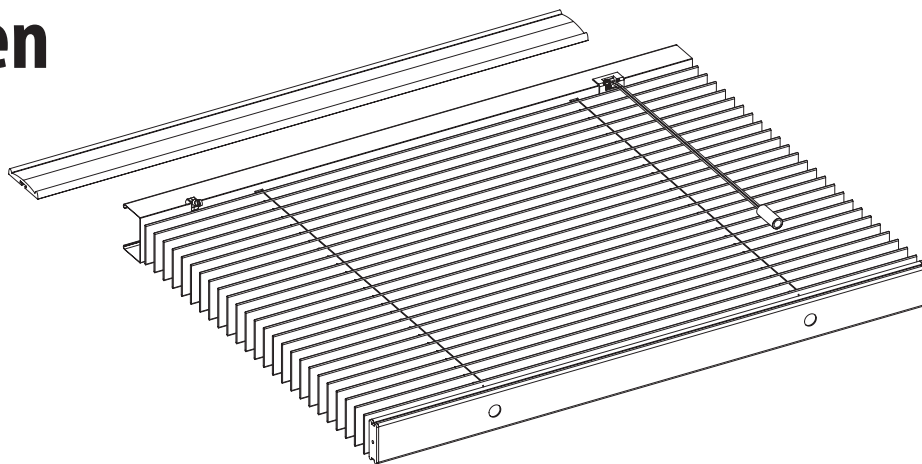
!

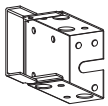
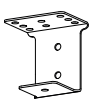

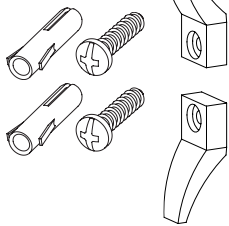
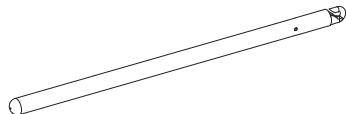
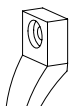
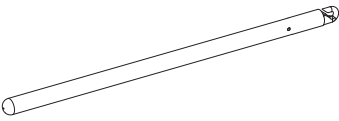


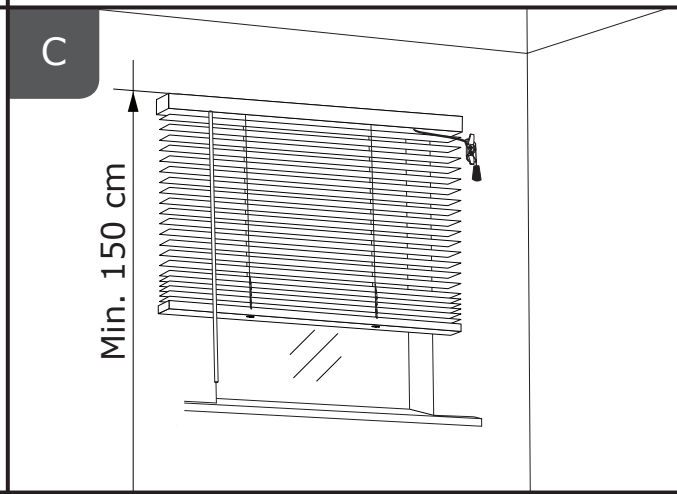
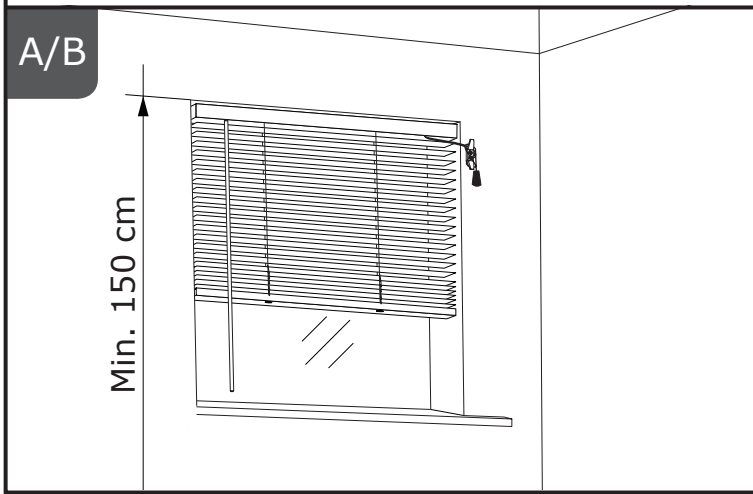
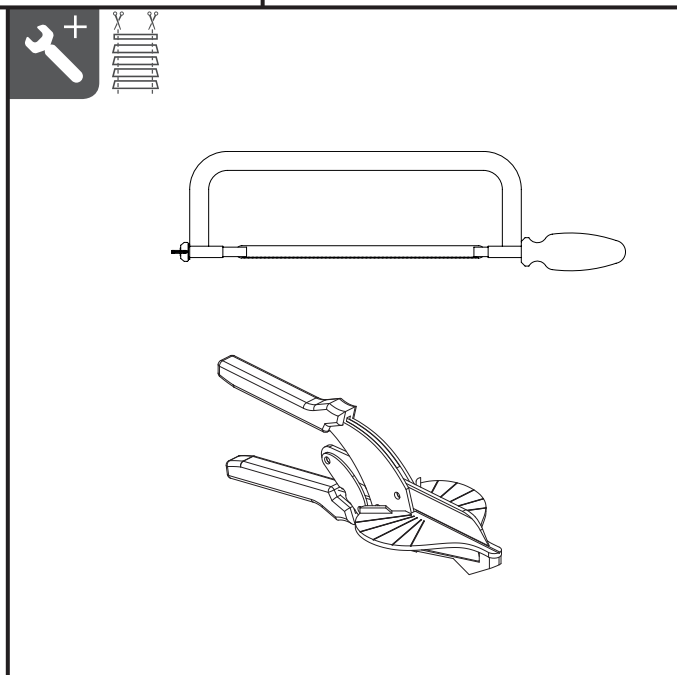
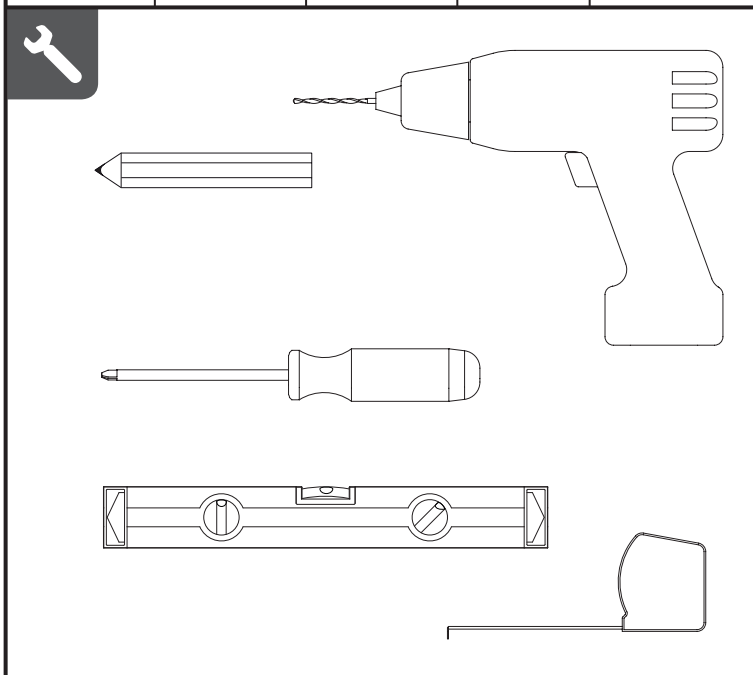
!



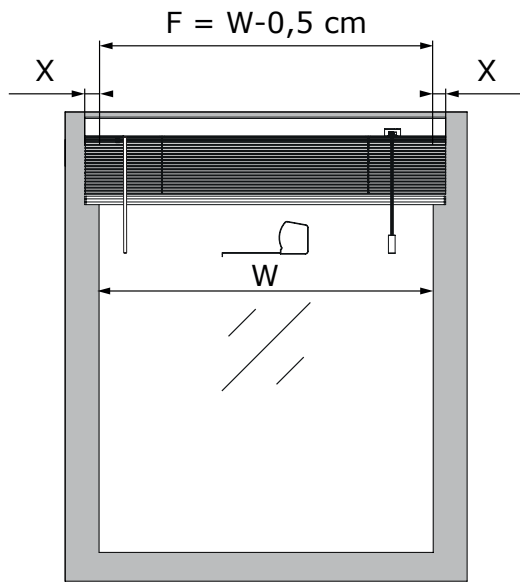
# Inkorten



<b>50MM</b>							
80 x 160	2x	1x	2x	1 x	1 x		
100 x 160	2x	2x	3x				
110 x 160	2x	2x	3x				
120 x 160	2x	2x	3x				
140 x 160	2x	3x	4x				
90 x 220	2x	2x	3x				



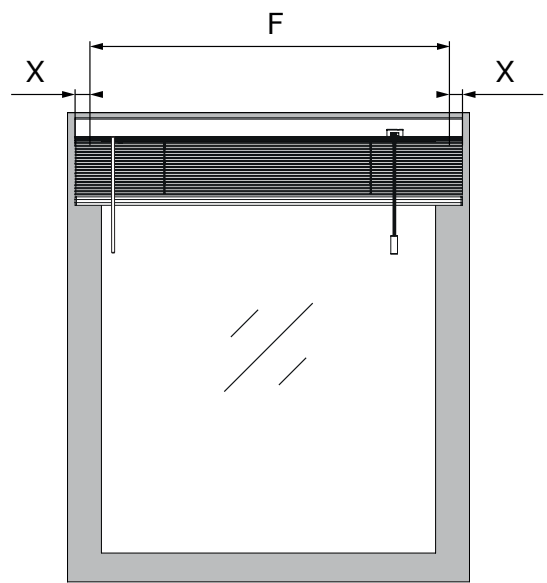
1A/1C



$X_{\min} = 0,5 \text{ cm}$

$X_{\max} = 5,0 \text{ cm}$

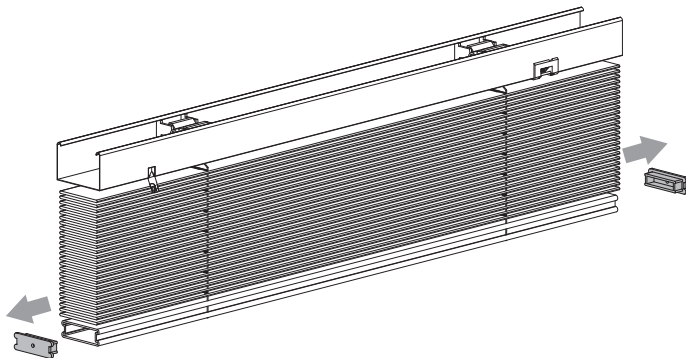
1B



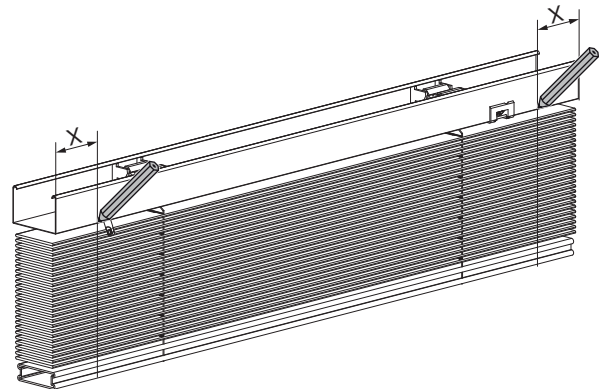
$X_{\min} = 0,5 \text{ cm}$

$X_{\max} = 5,0 \text{ cm}$

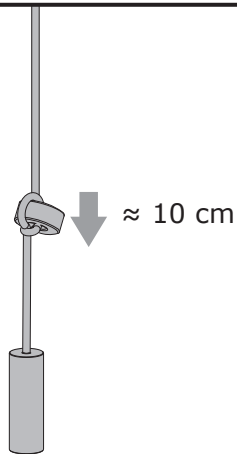
1.1



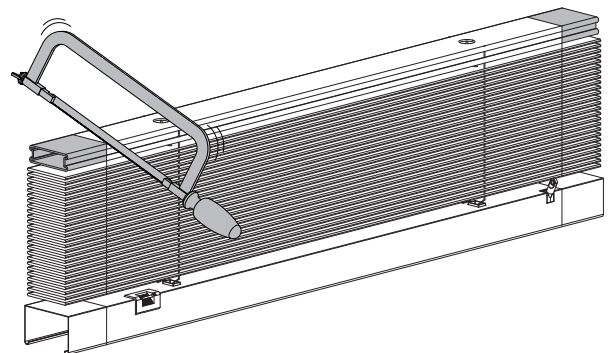
1.2



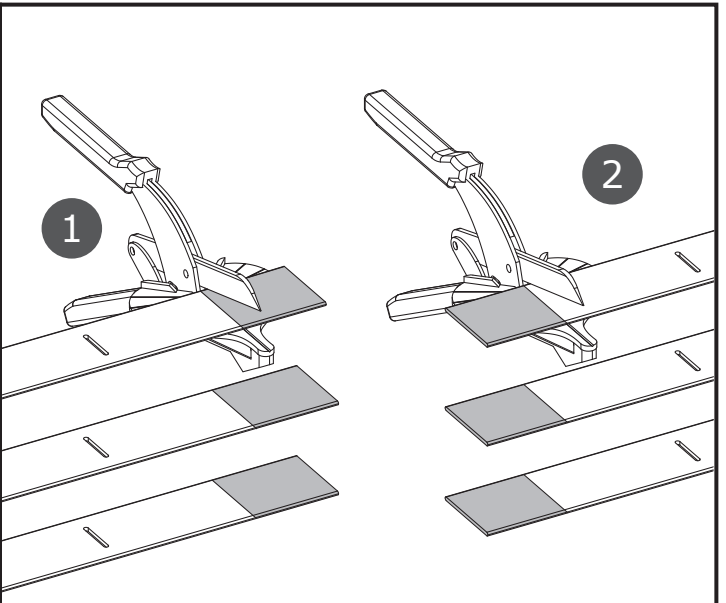
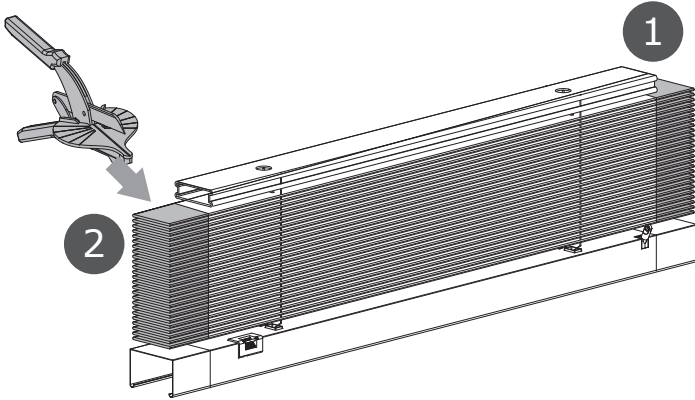
1.3



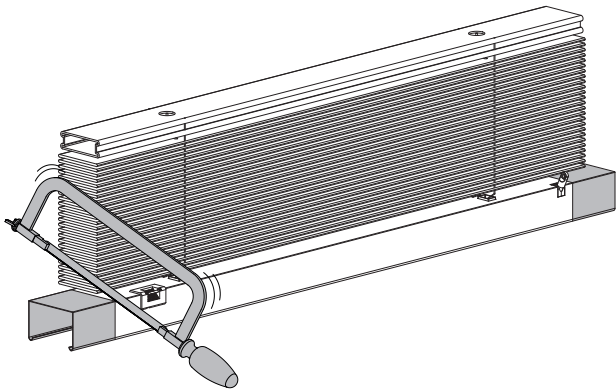
1.4



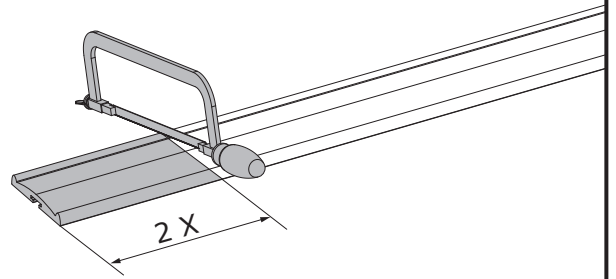
1.5



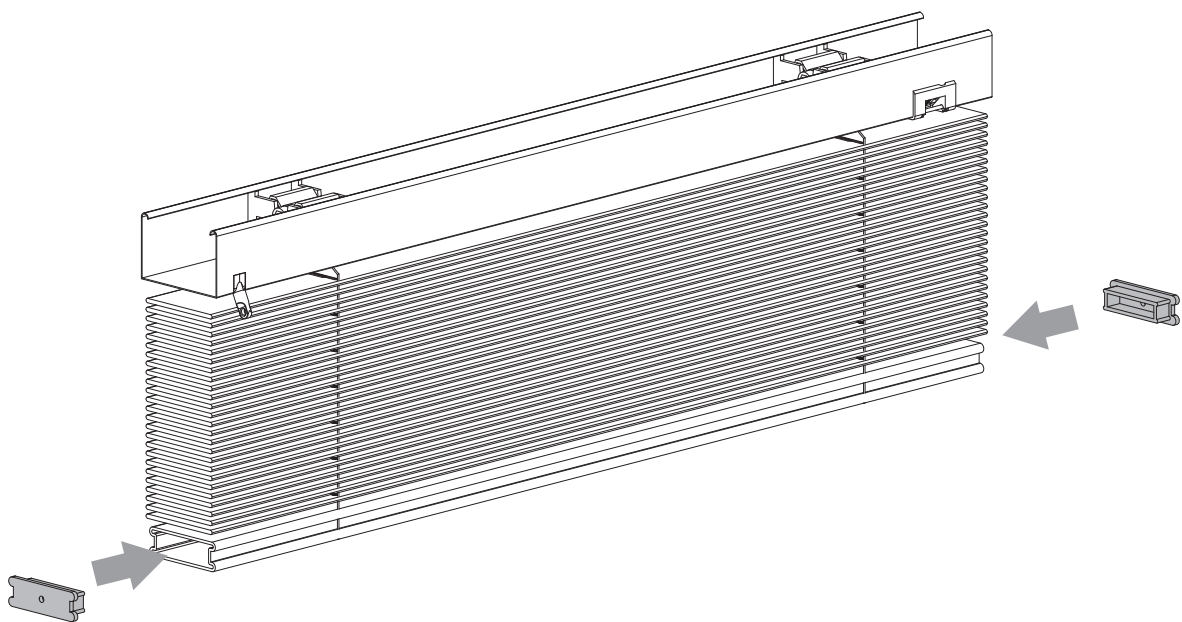
1.6

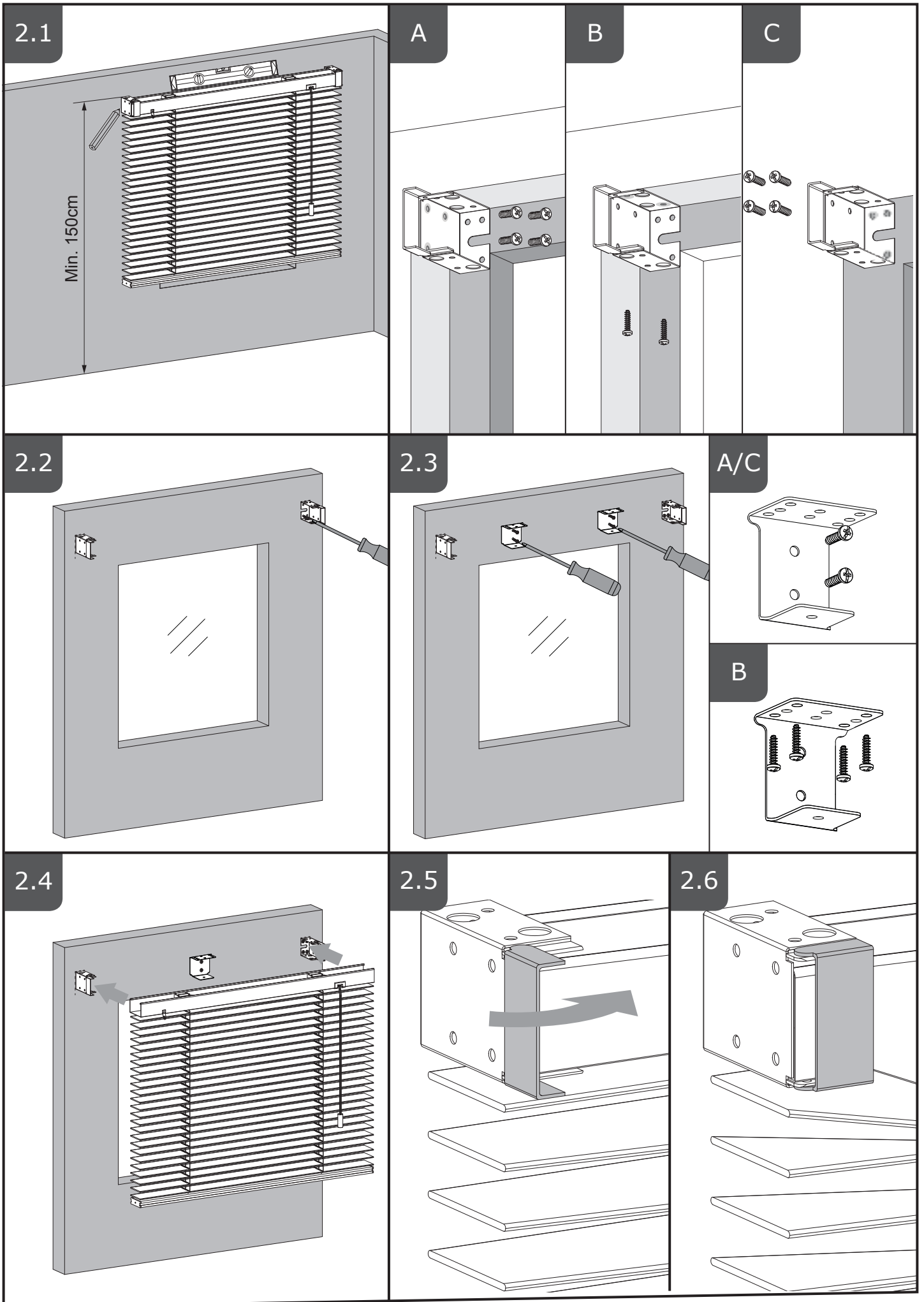


1.7

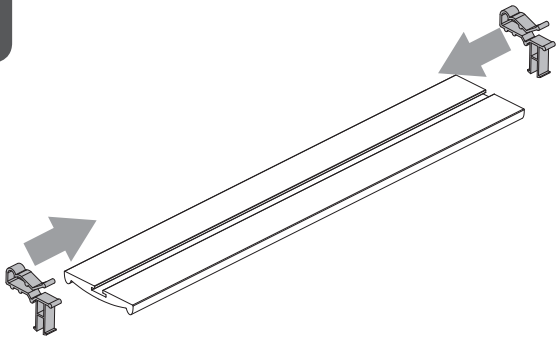


1.6

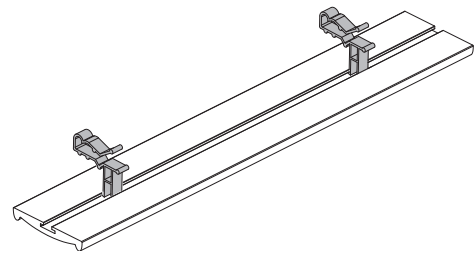




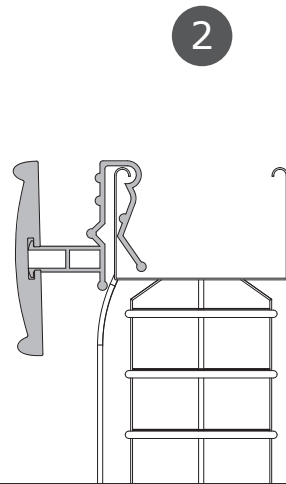
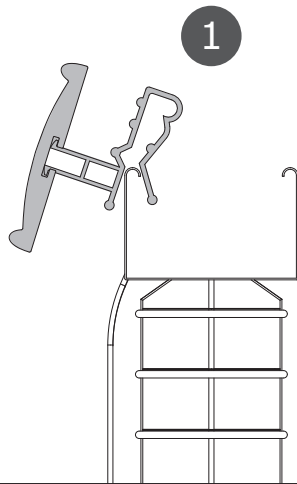
2.7



2.8



2.9



i

