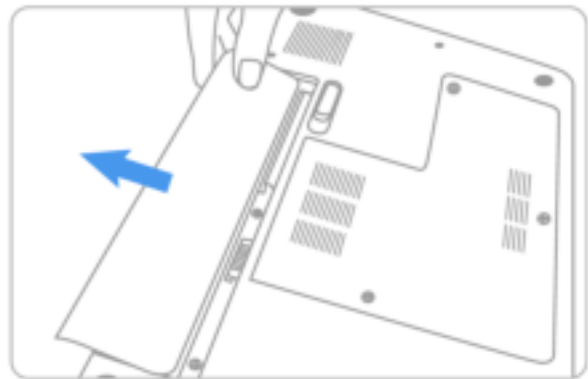


SSD Installation Guide for Notebook Computers

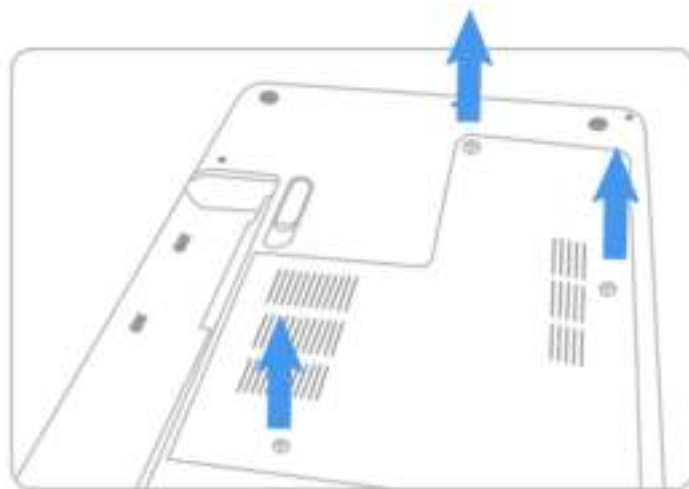
Handling Precautions

Please ground yourself before handling the solid state drive, as electrostatic discharge (ESD) can cause damage to the drive and other computer components. It is recommended to wear an antistatic wrist strap or glove to prevent damage.

Step 1- Before the installation commences, be sure to shut down your notebook, disconnect the power cord, and remove the battery

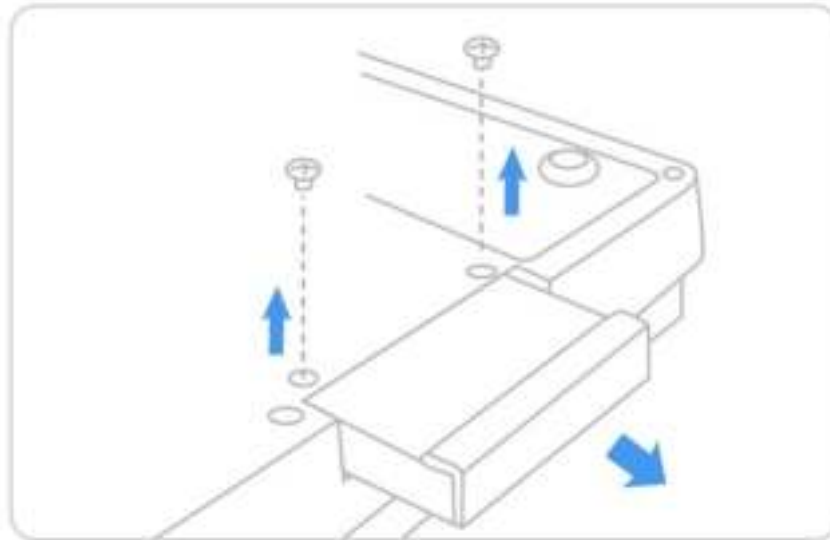


Step 2- Locate the hard drive bay on your notebook and remove screws and slide the drive out of the notebook (Please refer to your notebook system's user manual for information on how to remove the existing hard drive).

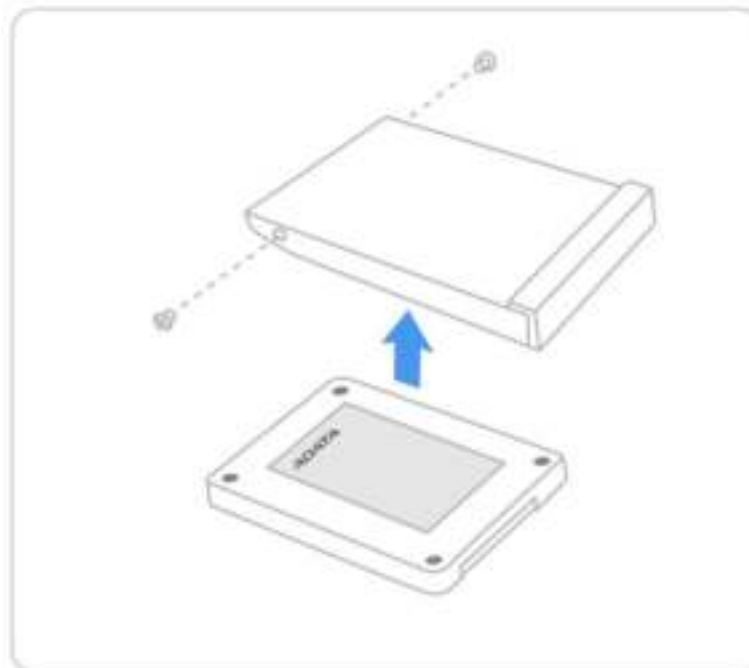


SSD Installation Guide for Notebook Computers

Step 3- Remove bracket from drive and set aside.

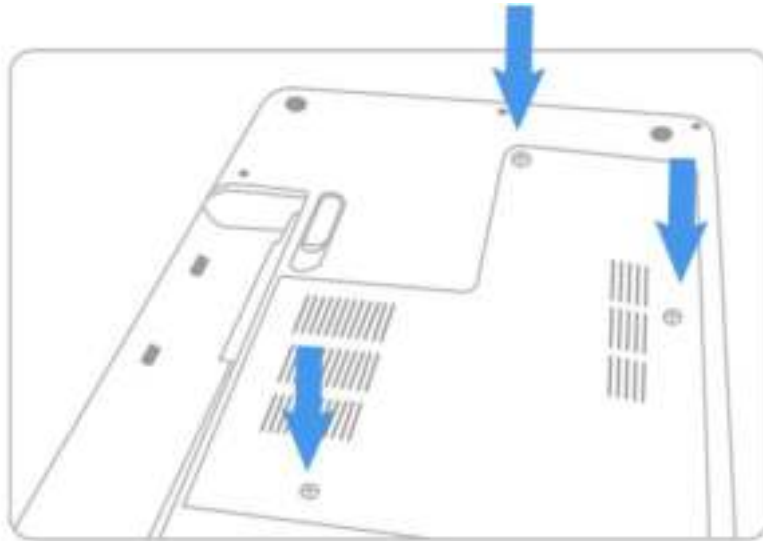


Step 4- Attach drive bracket to the new Solid-State Drive. Slide the drive into the bay until fully seated (Make sure to align the SATA plugs and solid state drive connectors).



SSD Installation Guide for Notebook Computers

Step 5- Replace screws to secure the drive.



Step 6- Reconnect the power cord or battery. Switch on the computer system for the installation verification.

