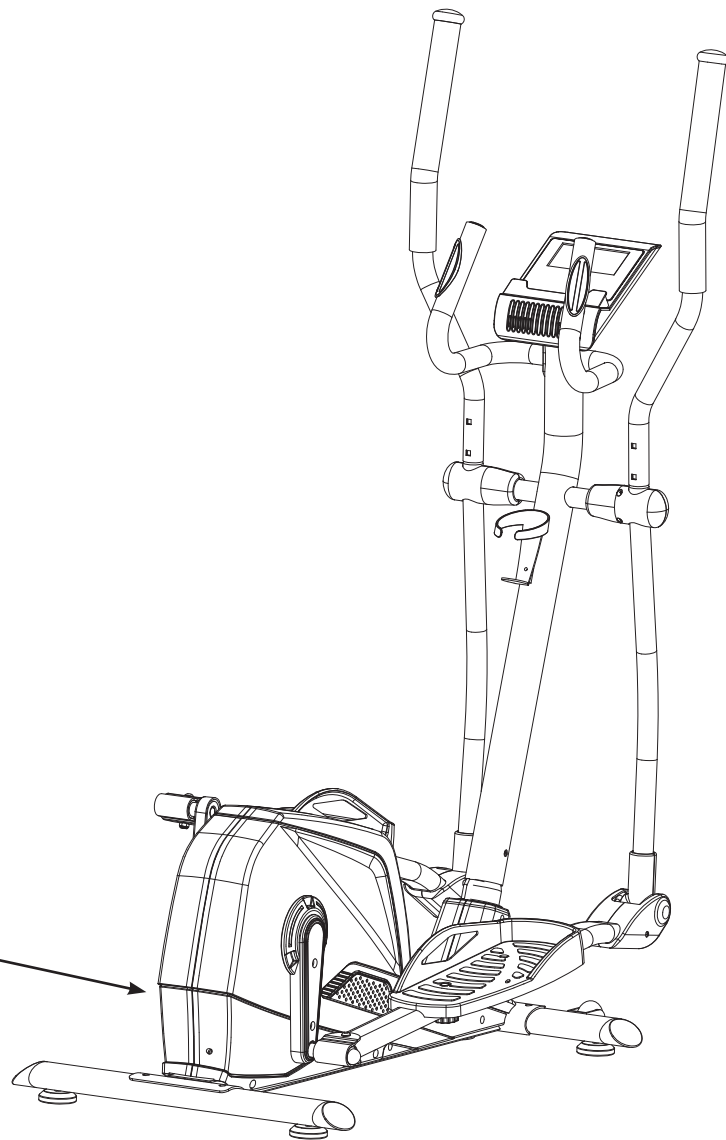


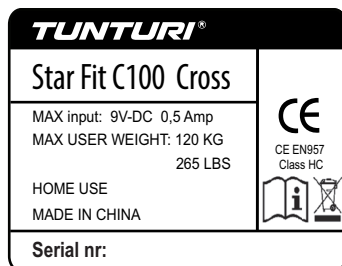
# TUNTURI®

## Star Fit C100

User manual  
Benutzerhandbuch  
Manuel de l'utilisateur  
Gebruikershandleiding



Serial number  
Seriennummer  
Numéro de série  
Seriennummer

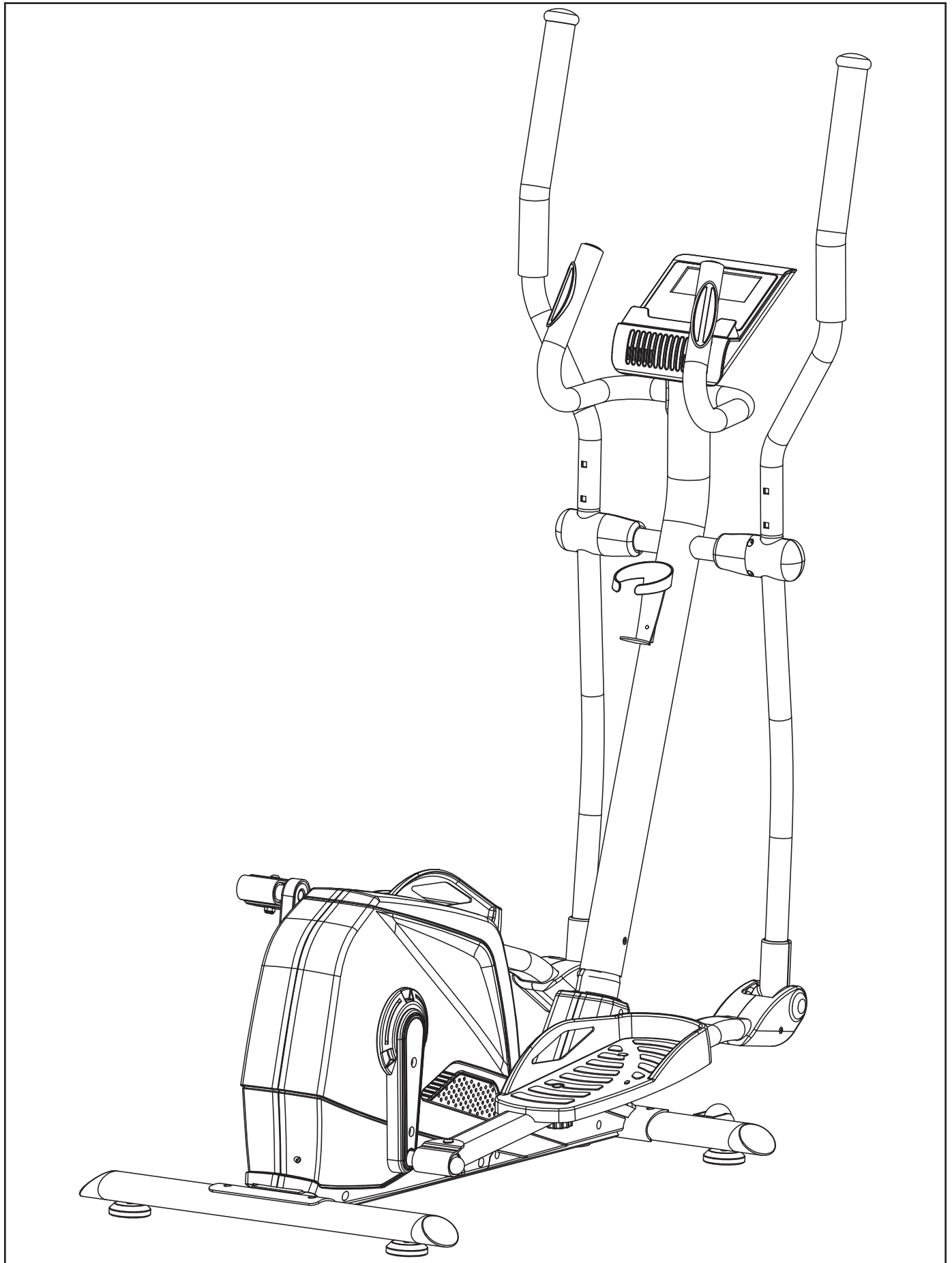


### Attention, Achtung, Attention, Attentie

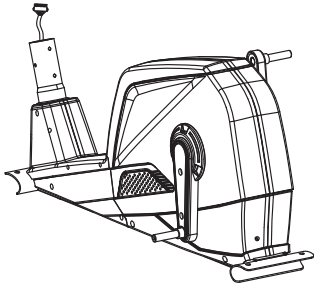
- Please read this Owner's manual before assembling this product.
- Bitte lesen Sie dieses Handbuch durch, bevor Sie mit er Montage dieses Produkts beginnen.
- Veuillez lire ce manuel avant de commencer le montage de ce produit.
- Leest u deze handleiding voordat u dit apparaat installeert.



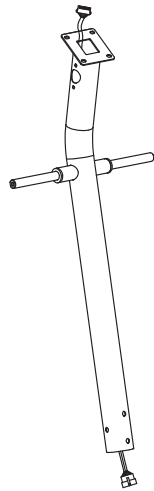
A



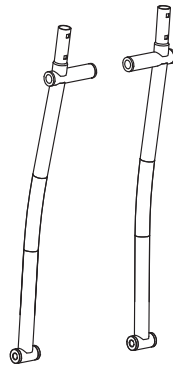
**B**



NO.1



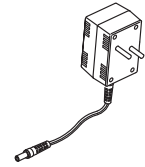
NO.32



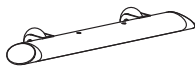
NO.26/49



NO.36/47



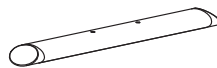
NO.94



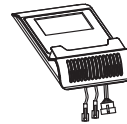
NO.20



NO.90



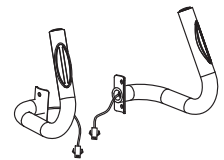
NO.2



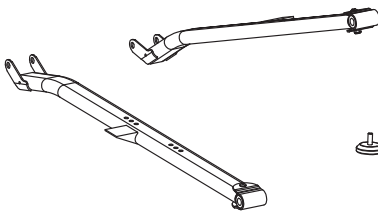
NO.46



NO:22



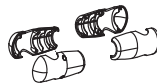
NO.40L/40R



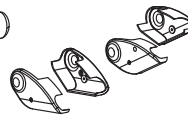
NO.8/51



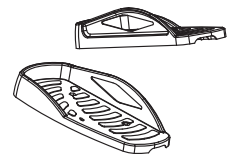
NO. 19



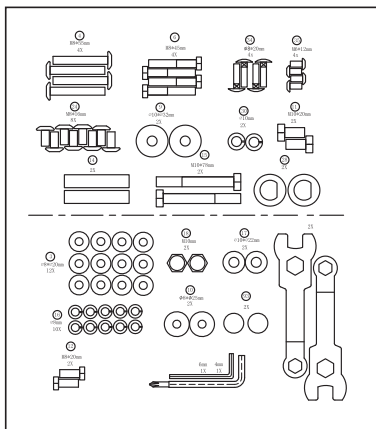
NO.33



NO.29L/29R

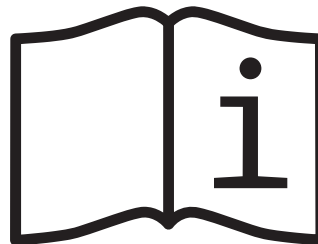


NO.7/50

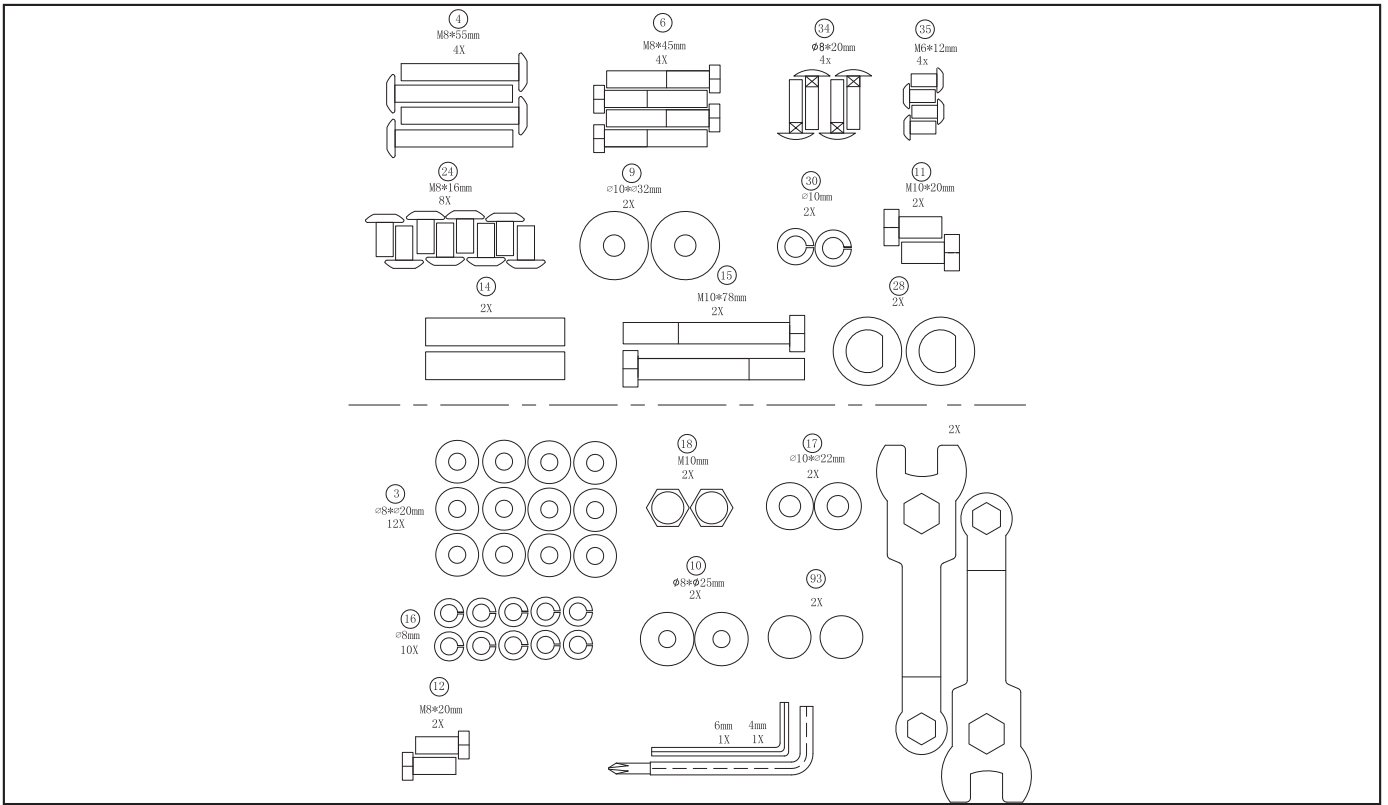


13

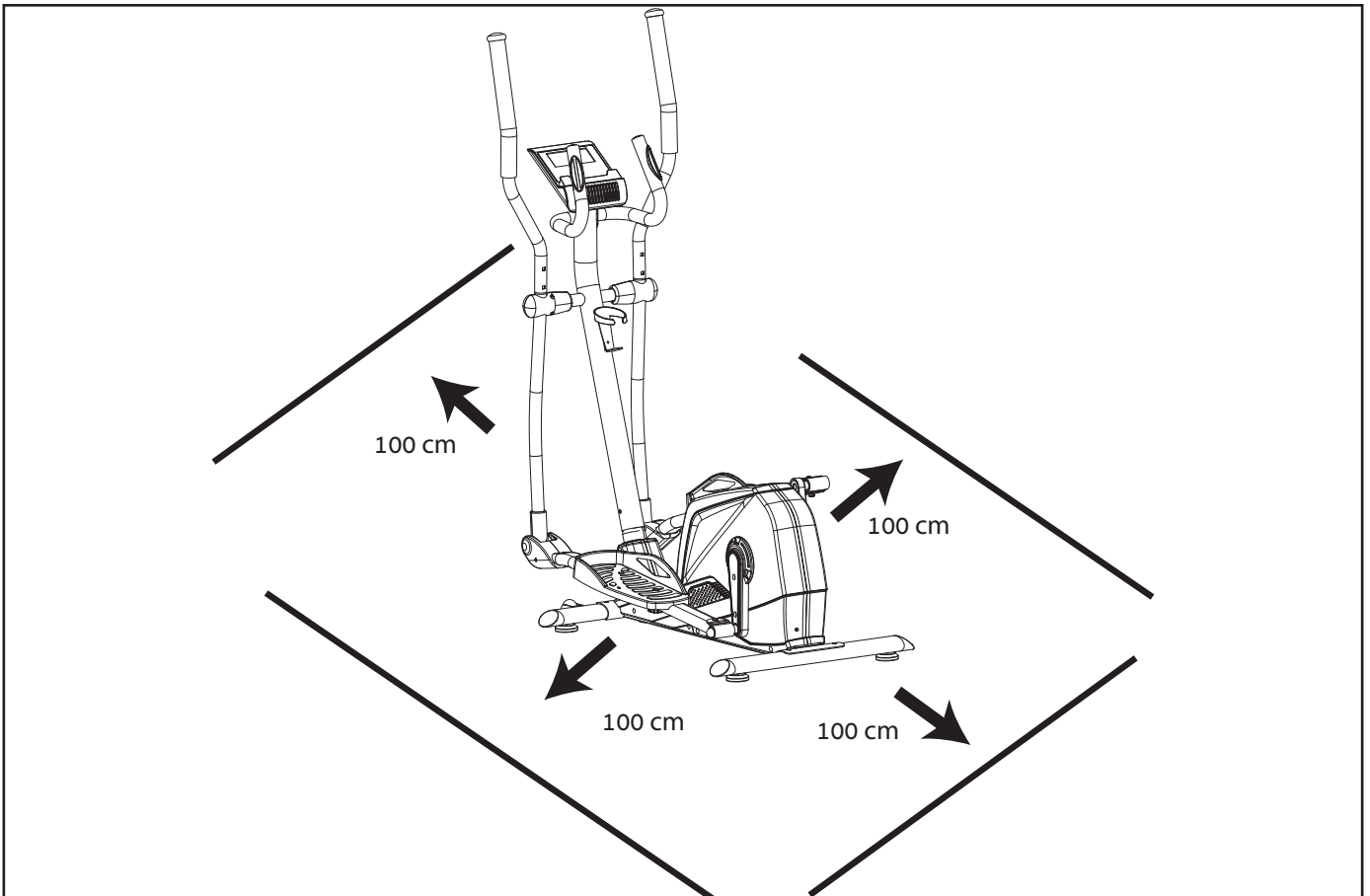
4x



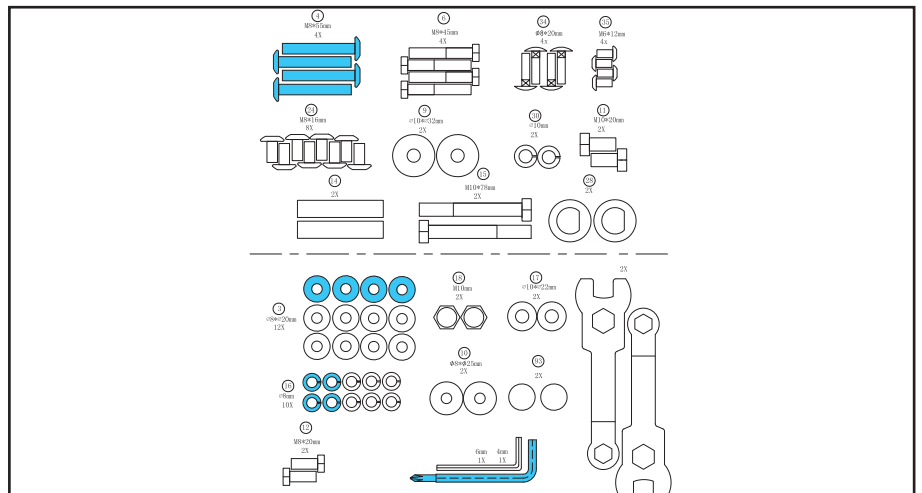
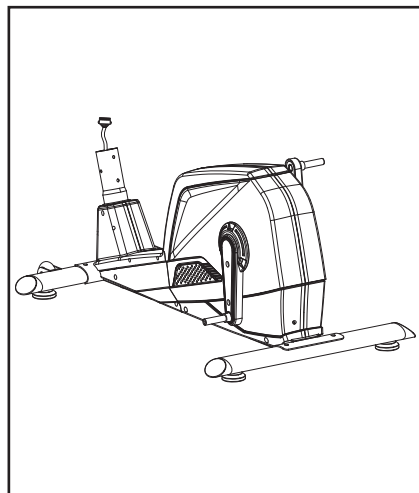
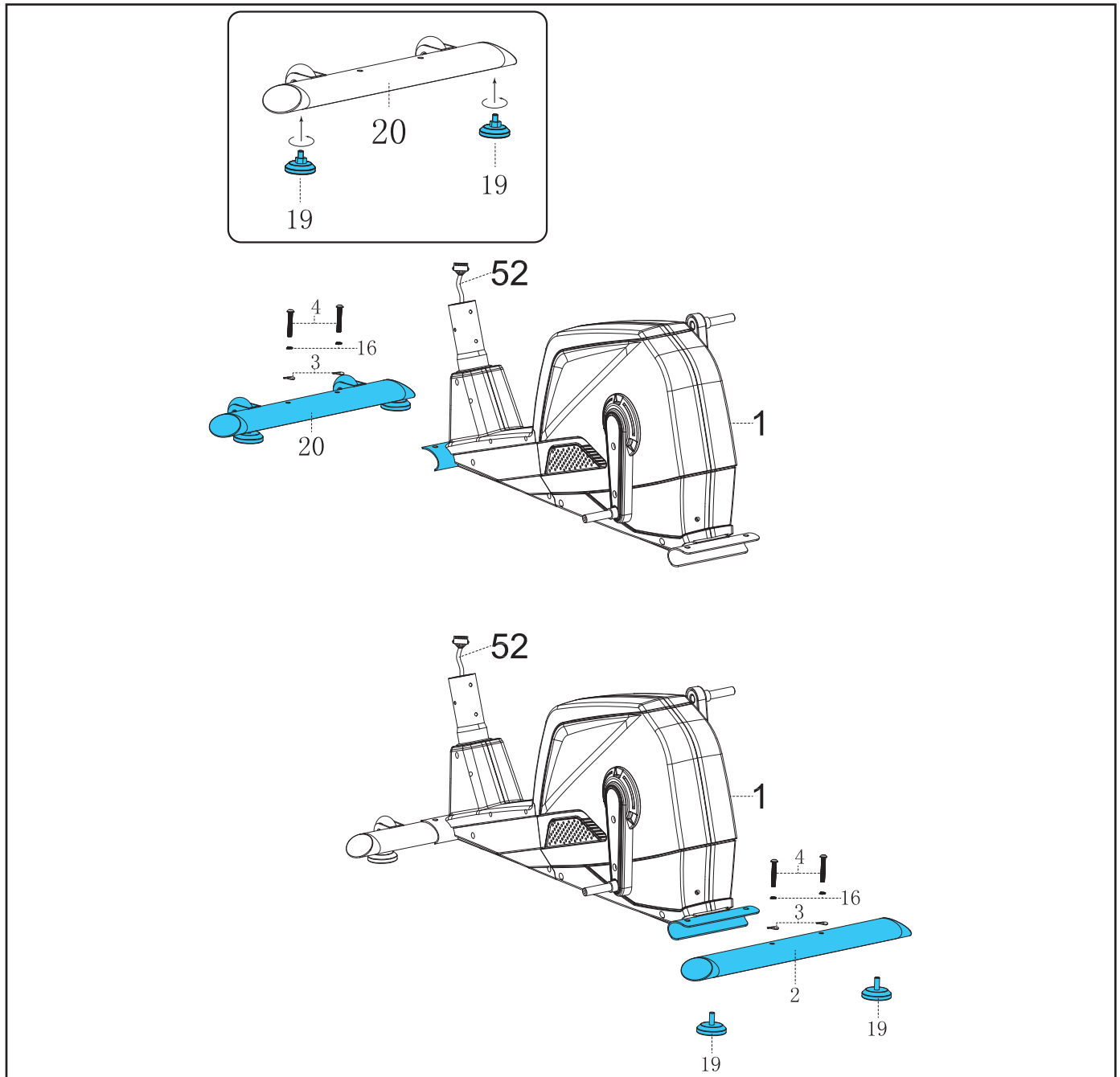
C



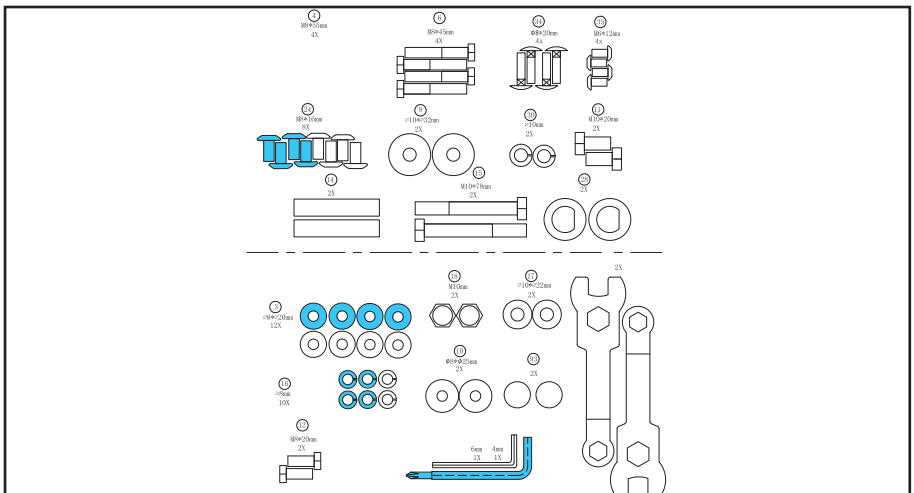
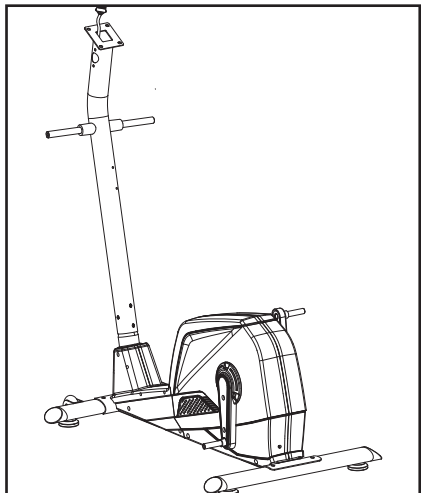
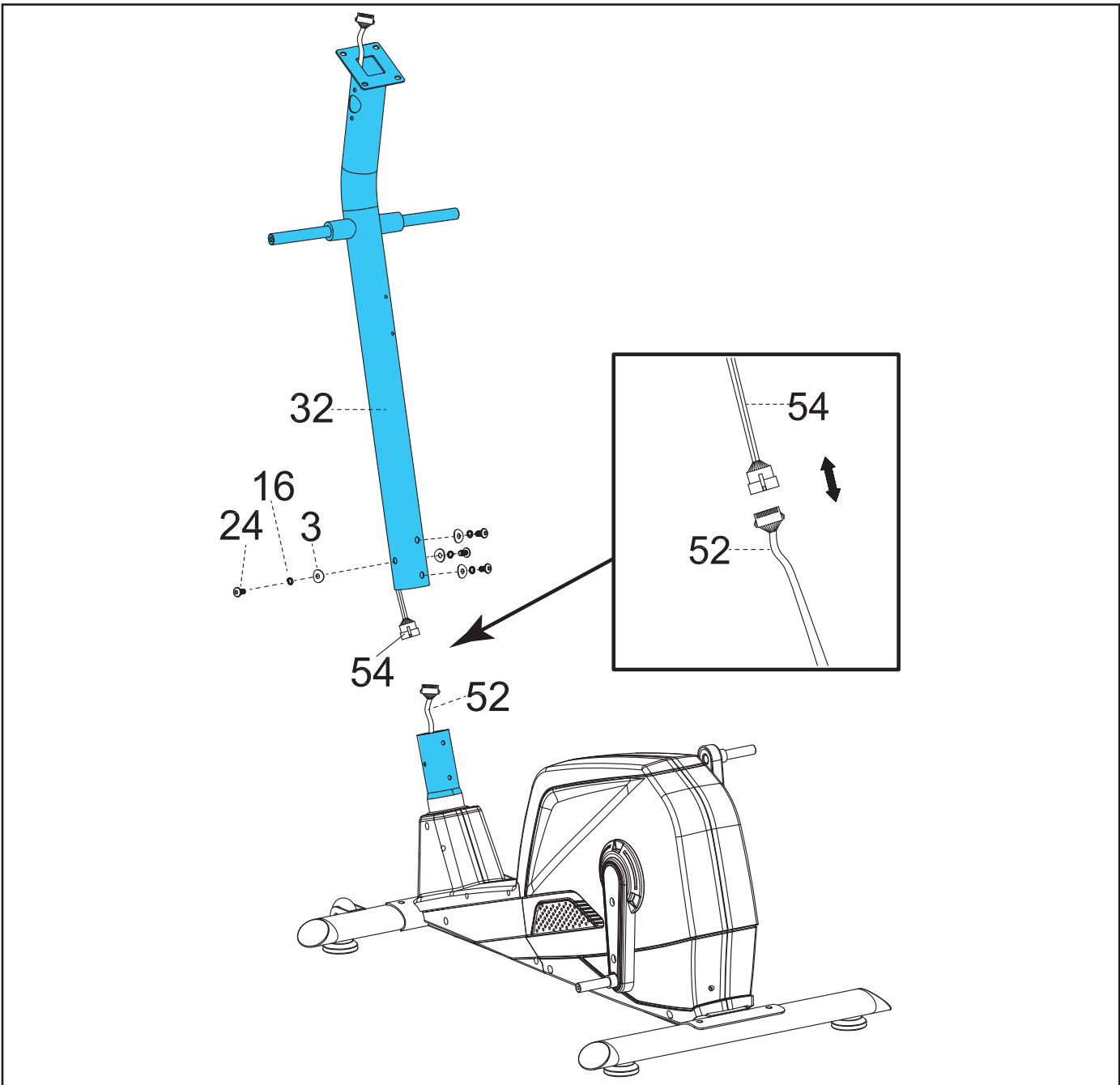
D-0



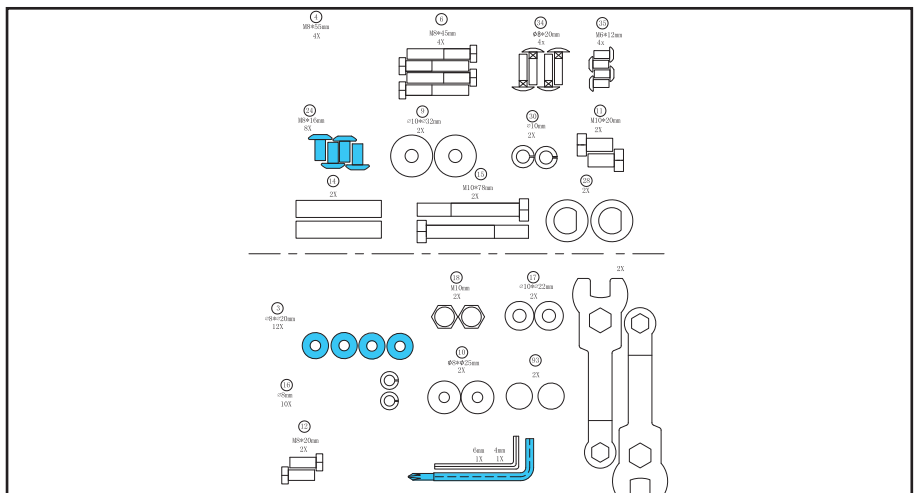
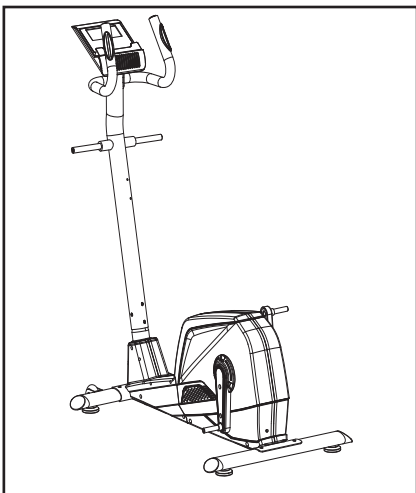
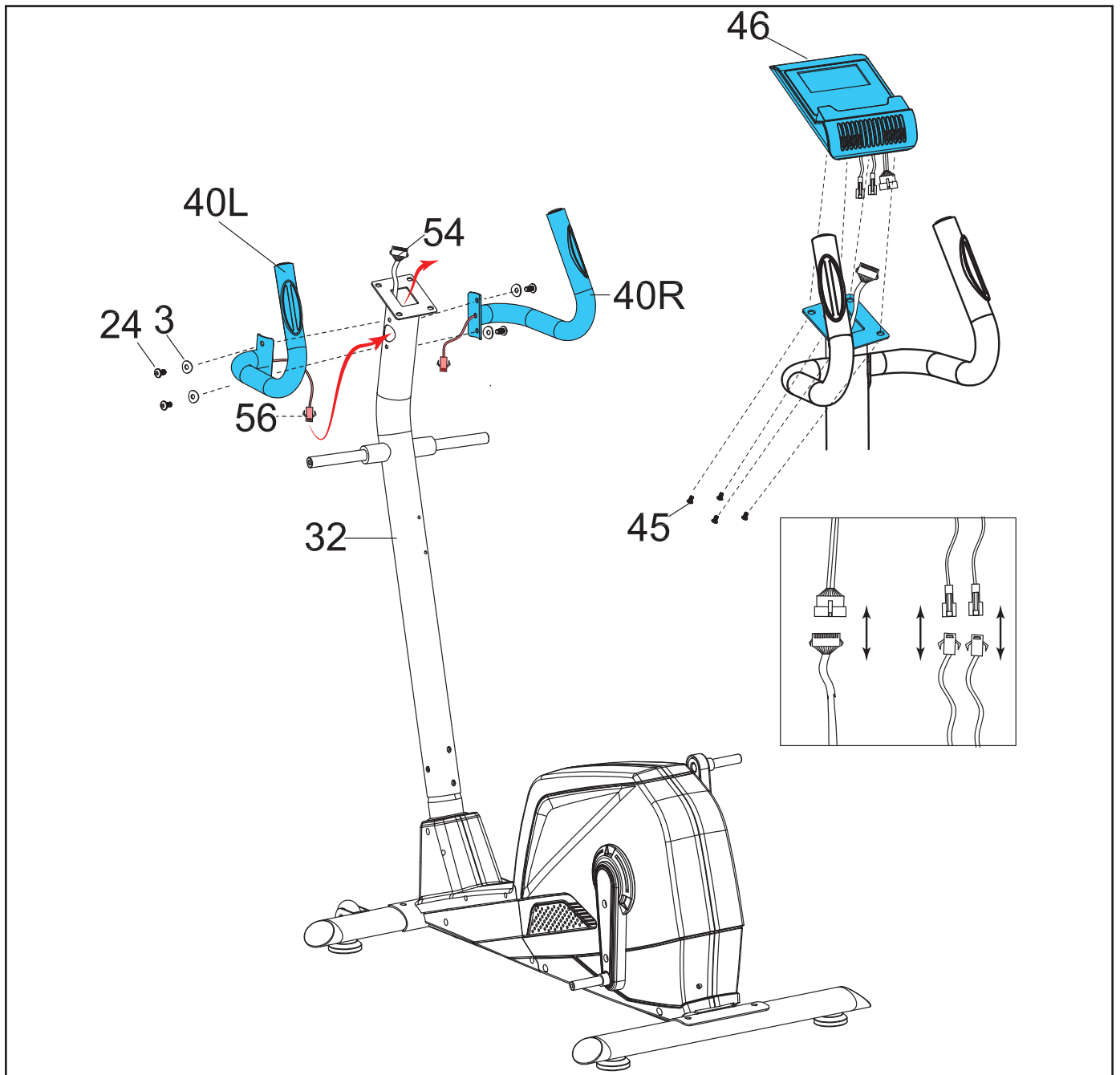
# D-1



# D-2

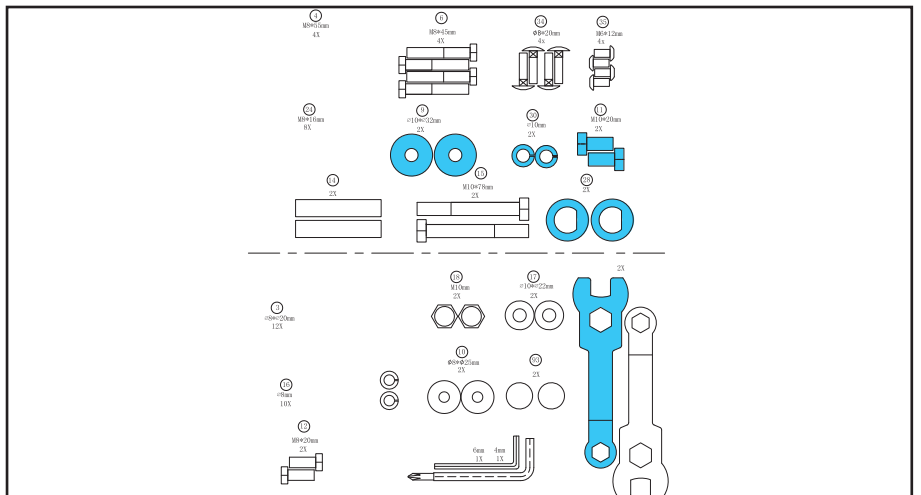
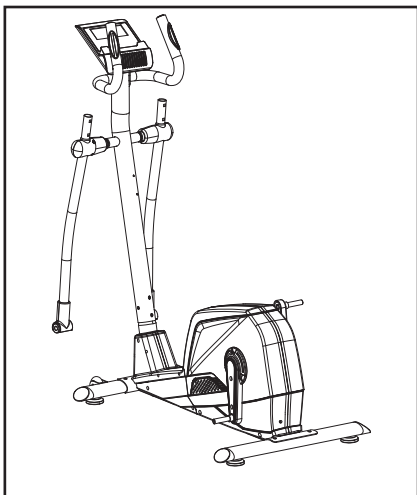
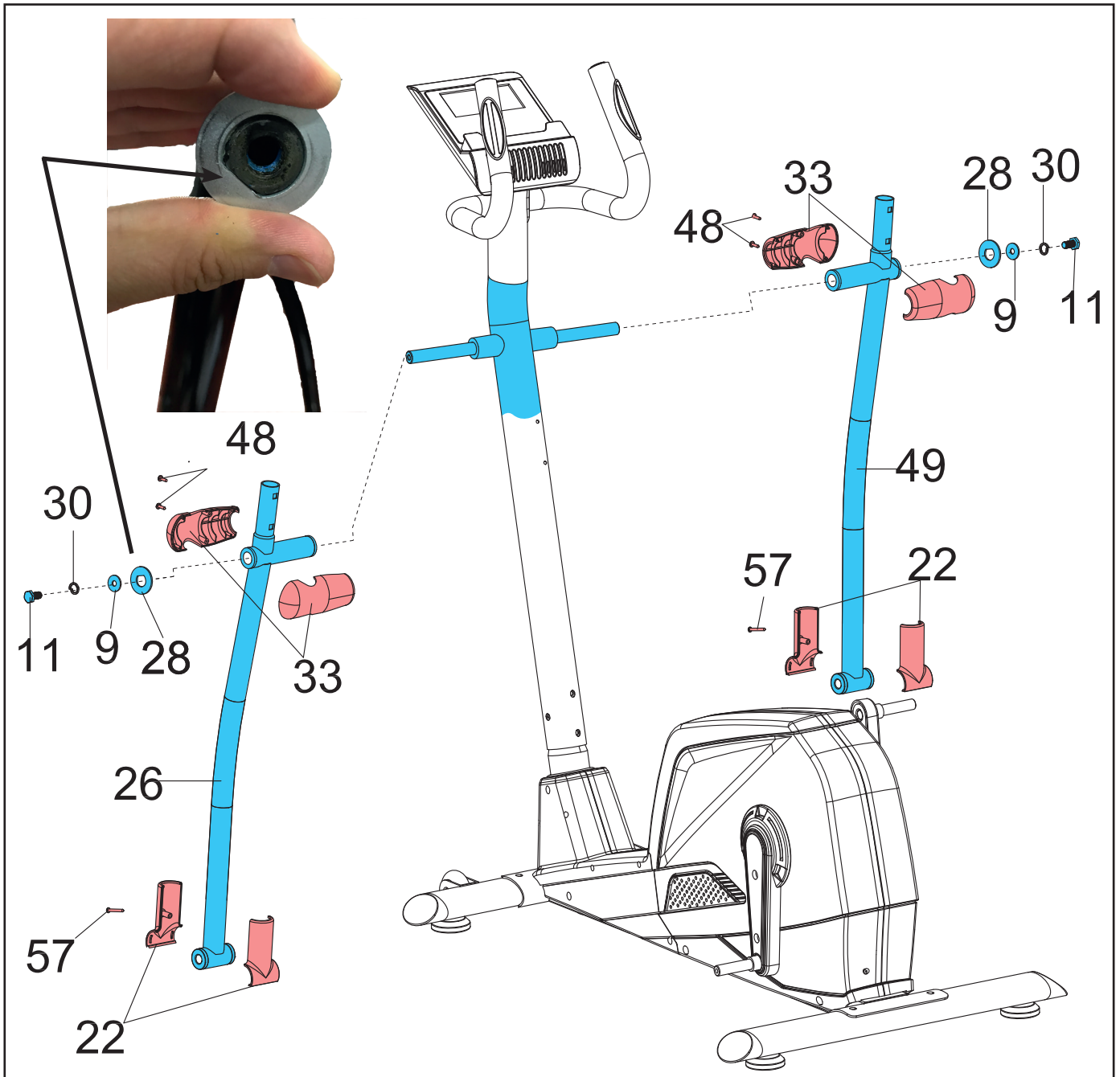


# D-3

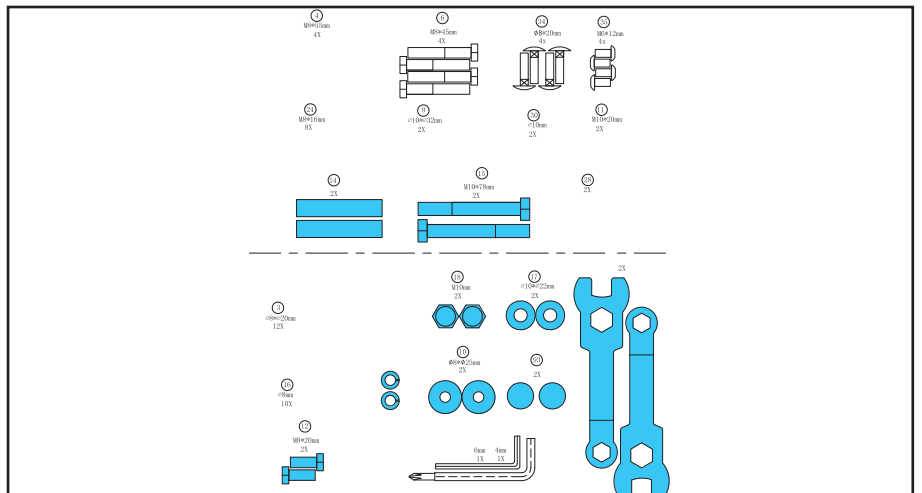
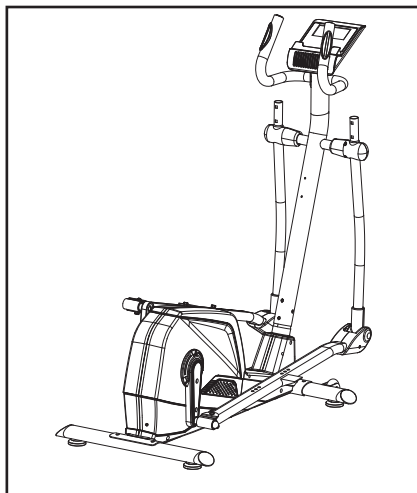
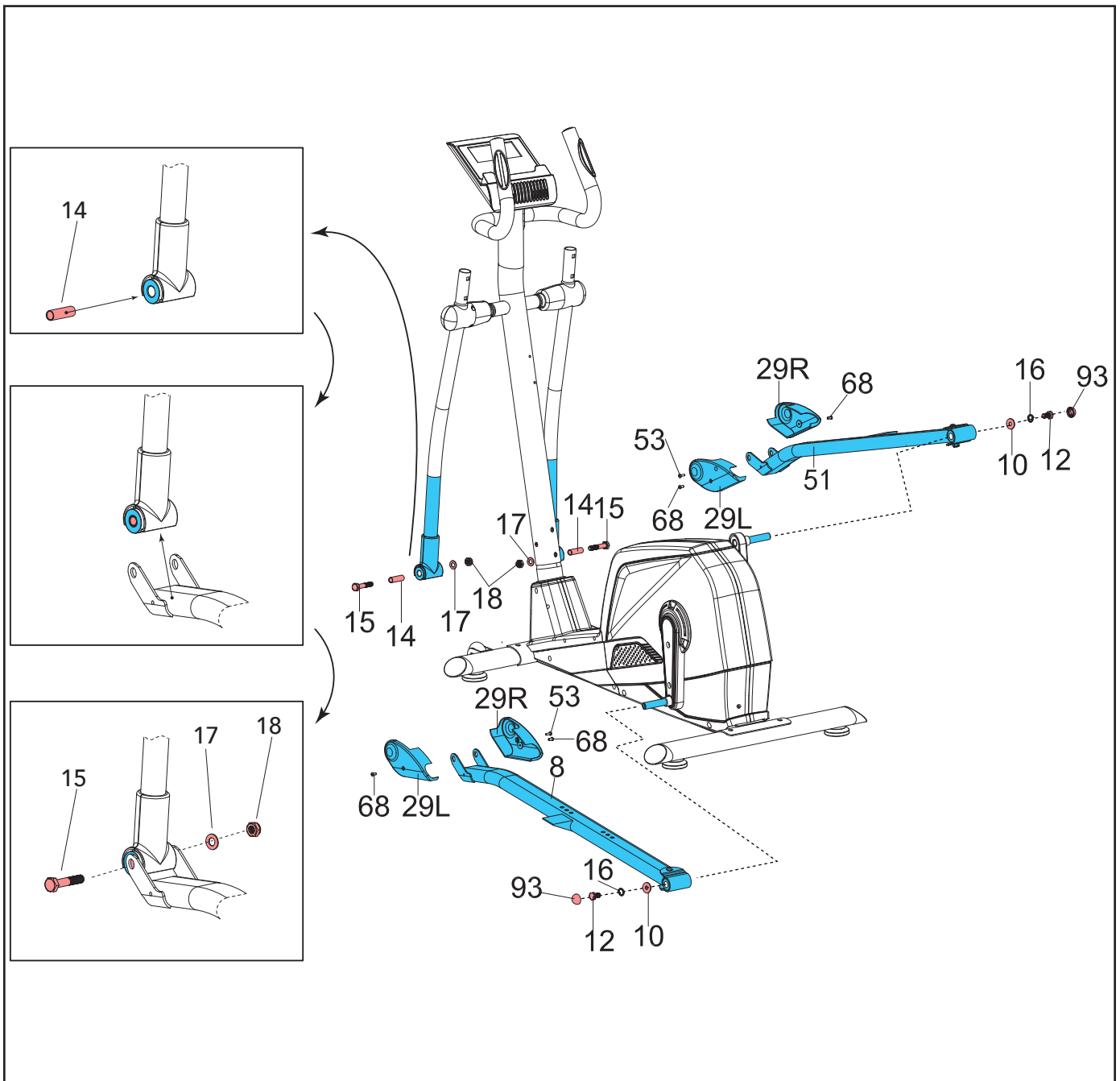




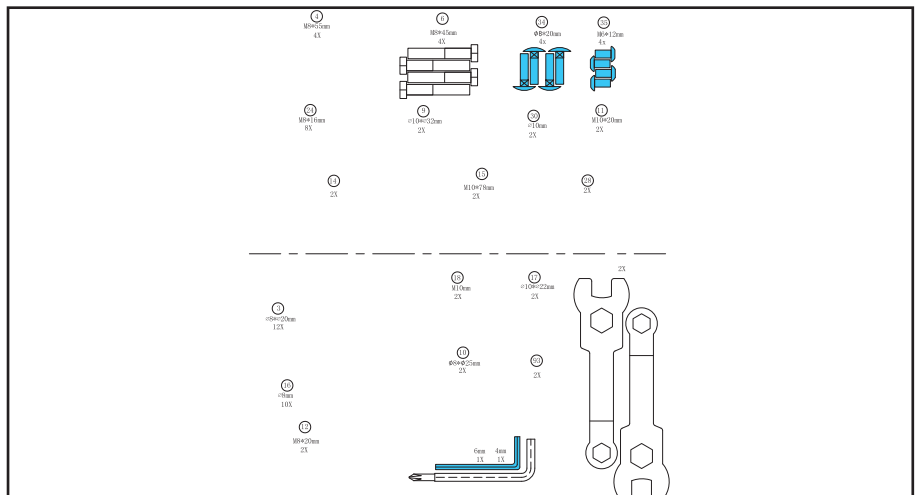
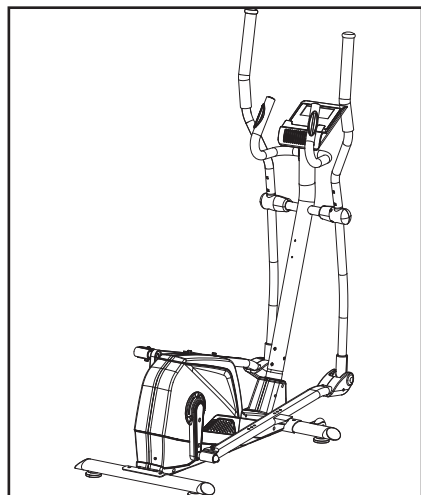
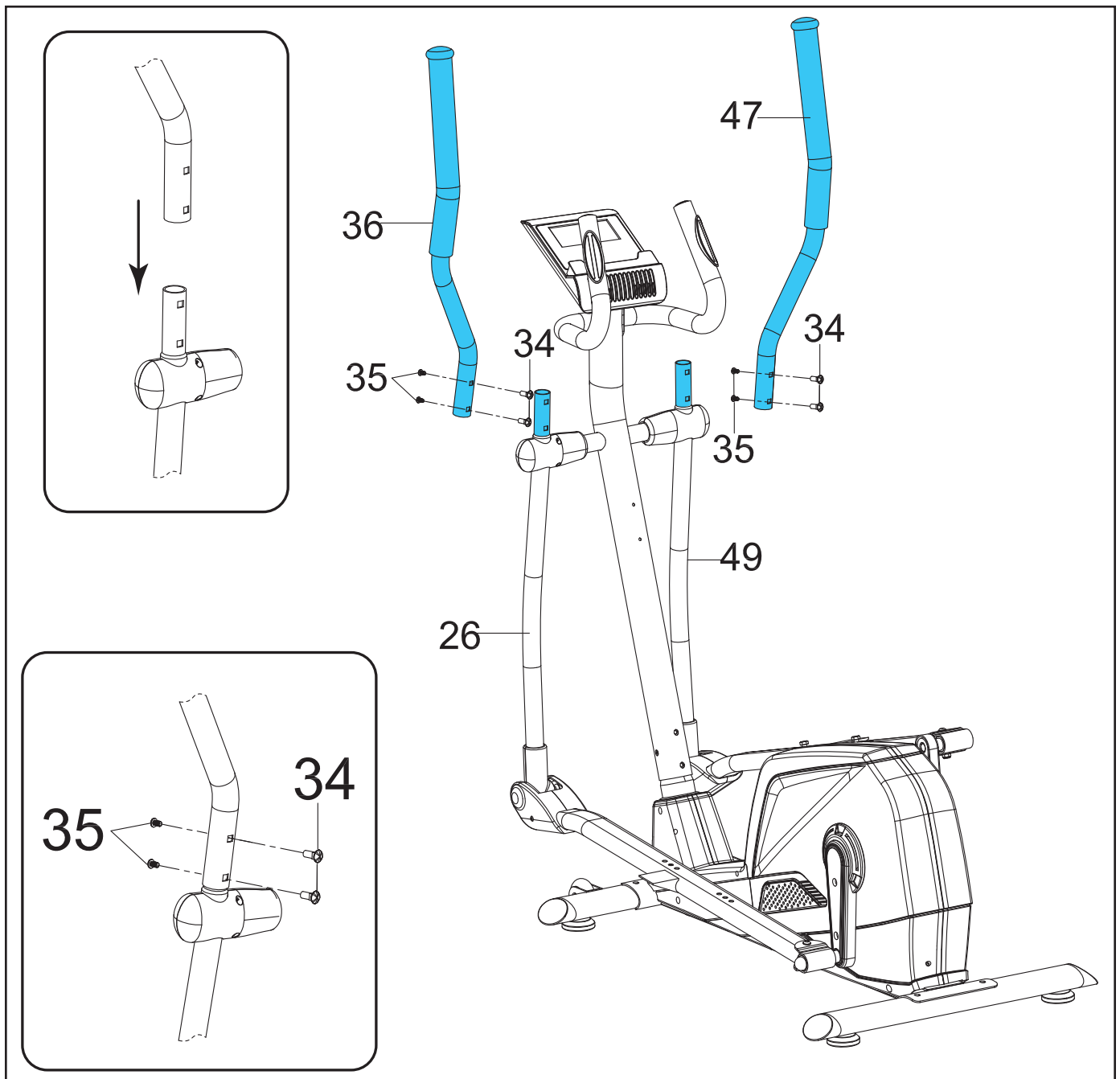
# D-4



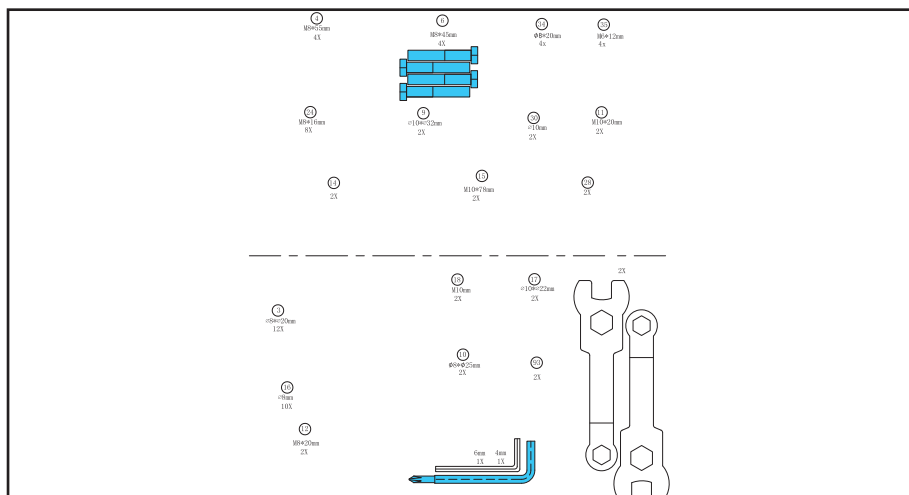
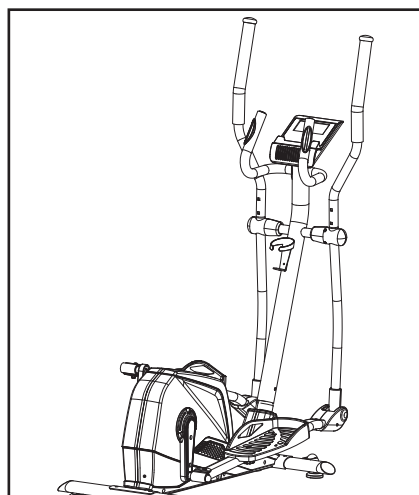
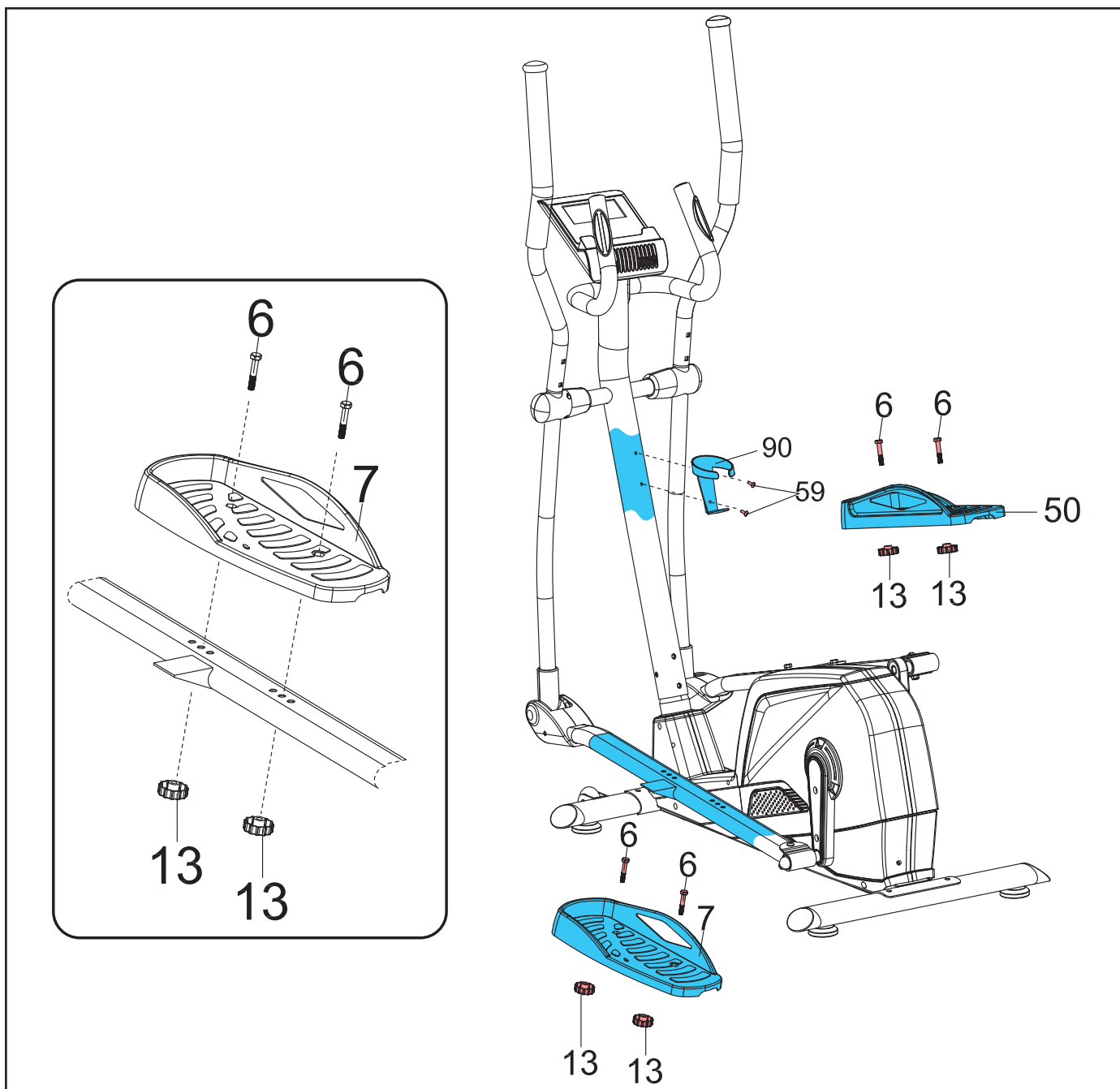
# D-5



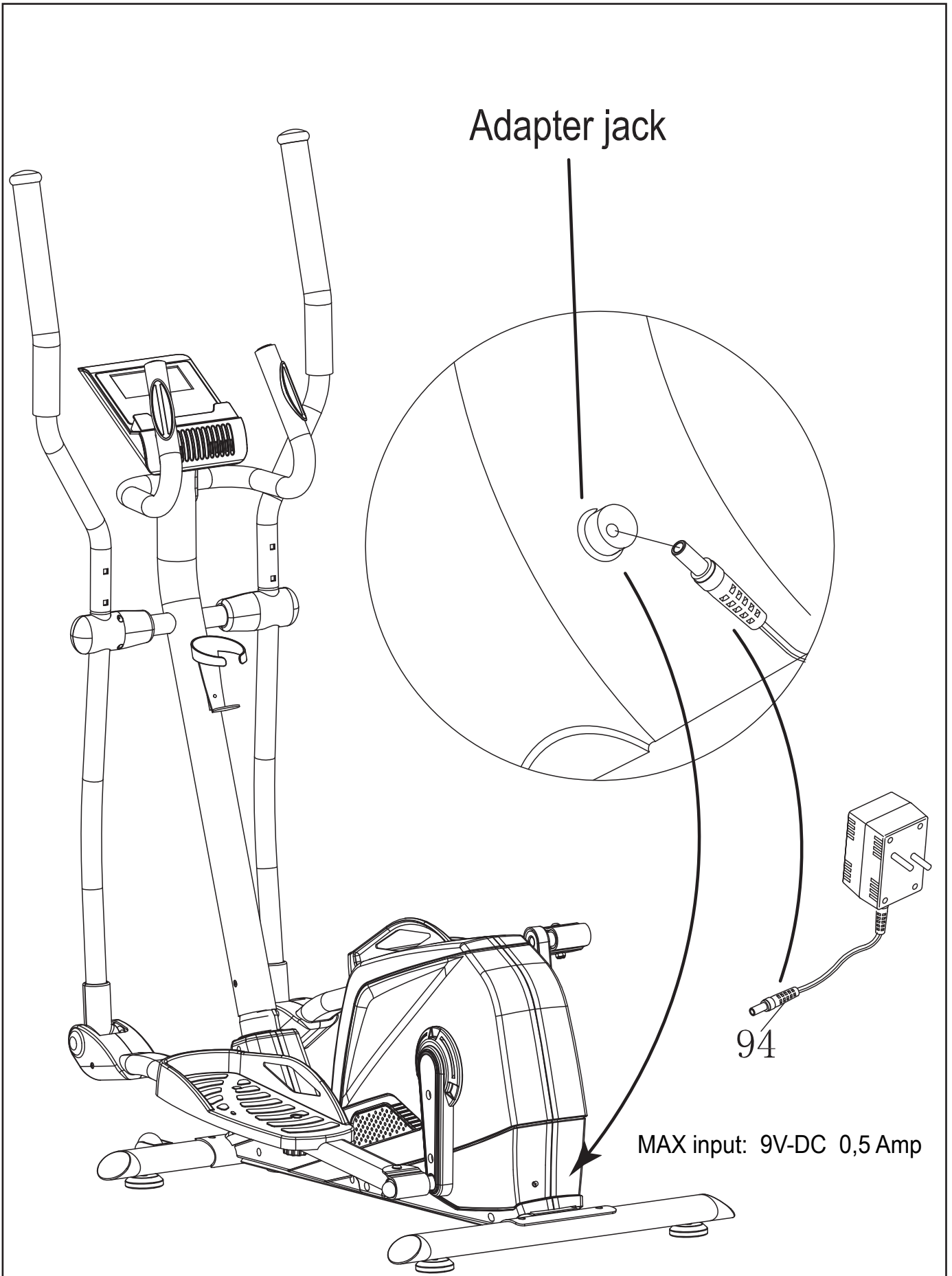
# D-6



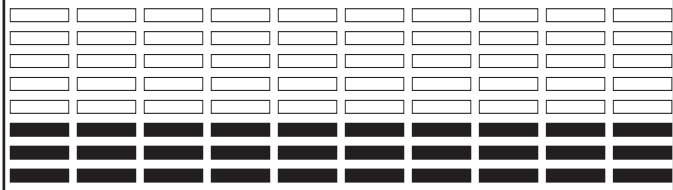
# D-7



E-1

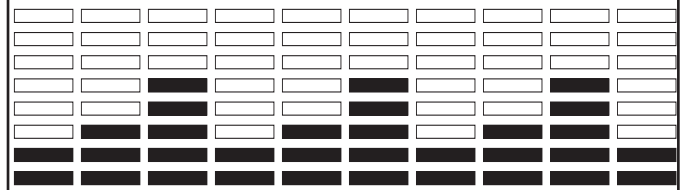


**F-01**



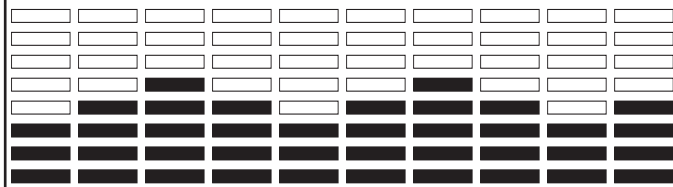
PROGRAM 1

**F-07**



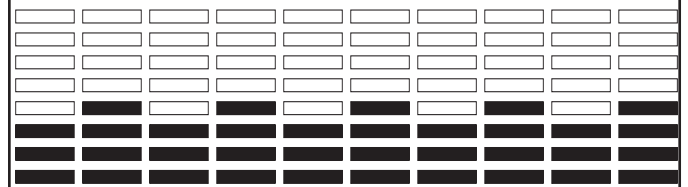
PROGRAM 7

**F-02**



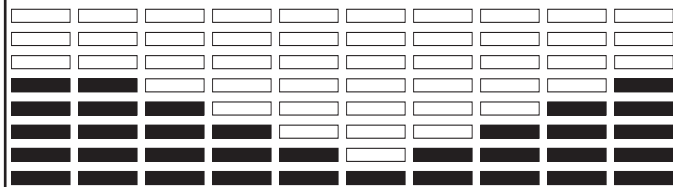
PROGRAM 2

**F-08**



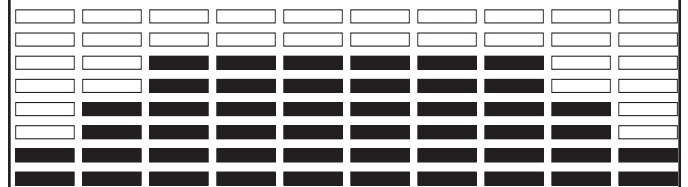
PROGRAM 8

**F-03**



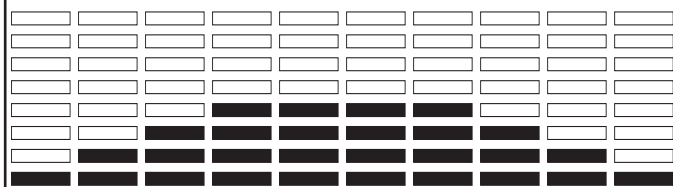
PROGRAM 3

**F-09**



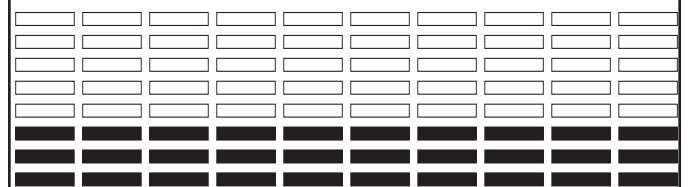
PROGRAM 9

**F-04**



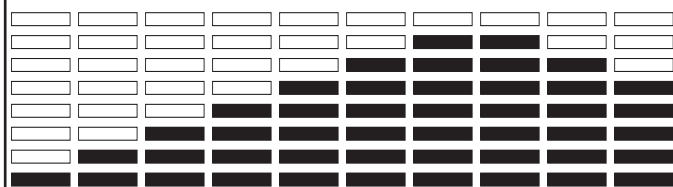
PROGRAM 4

**F-10**



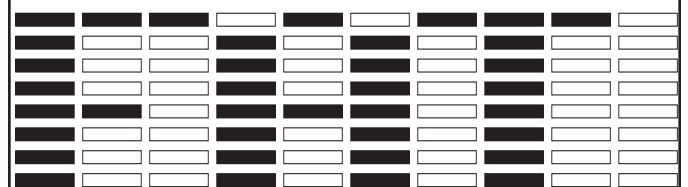
PROGRAM 10

**F-05**



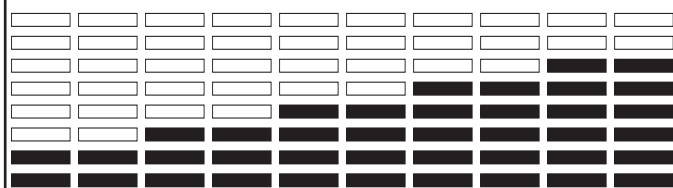
PROGRAM 5

**F-11**



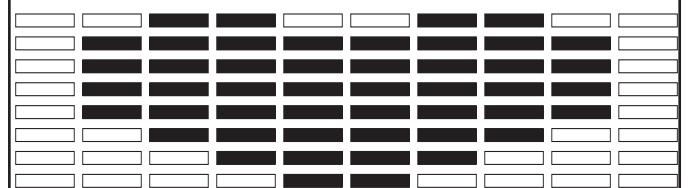
PROGRAM 11

**F-06**

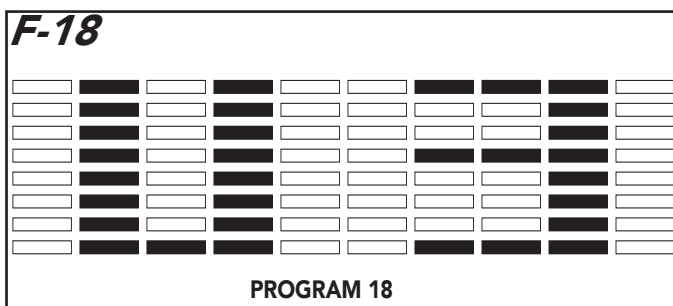
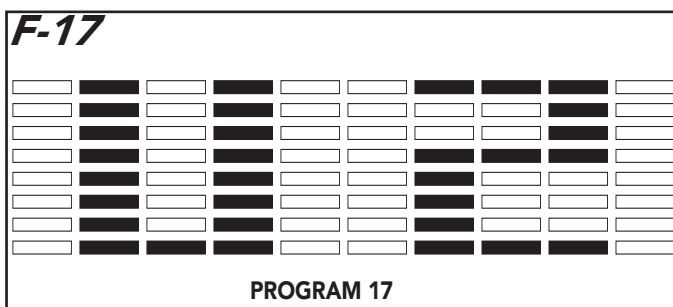
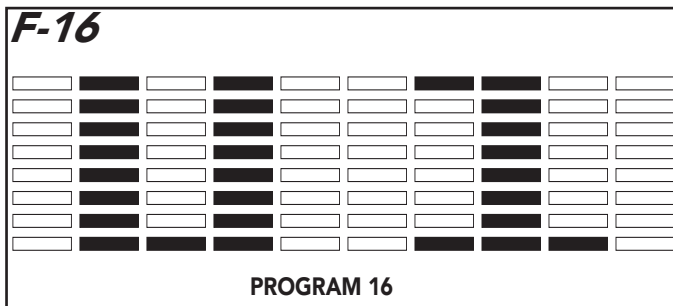
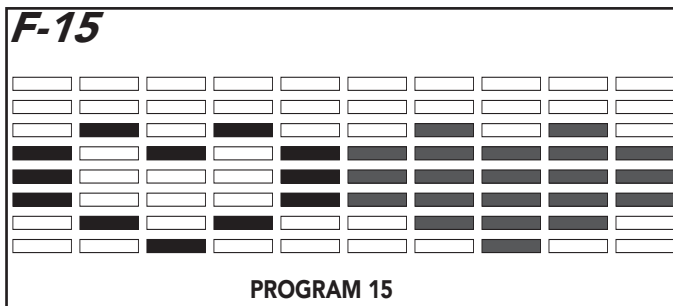
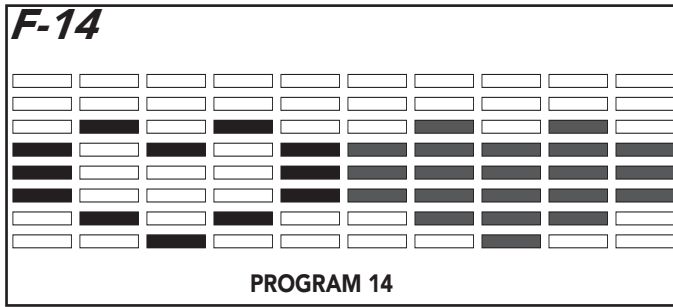
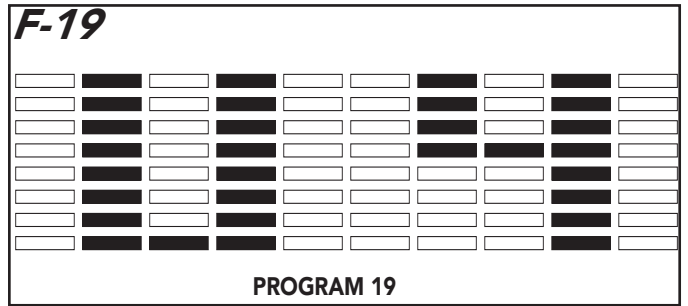
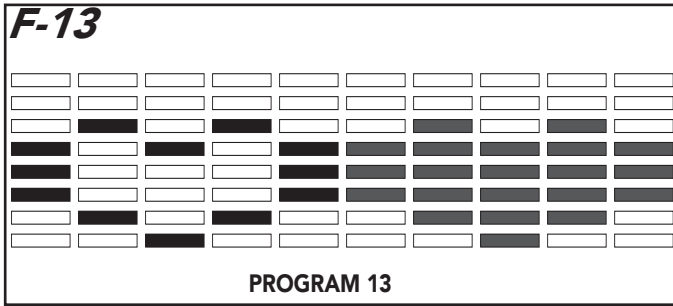


PROGRAM 6

**F-12**



PROGRAM 12



## Index

|  |           |
|--|-----------|
| <b>Crosstrainer</b> .....                    | <b>16</b> |
| <b>Safety warnings</b> .....                 | <b>16</b> |
| Electrical safety                            | 17        |
| Description (fig. A)                         | 17        |
| Package contents (fig. B & C)                | 17        |
| Assembly (fig. D)                            | 17        |
| <b>Workouts</b> .....                        | <b>17</b> |
| Exercise Instructions                        | 17        |
| Heart rate                                   | 18        |
| <b>Use</b> .....                             | <b>18</b> |
| Power supply (Fig. E-1)                      | 19        |
| <b>Console (fig F)</b> .....                 | <b>19</b> |
| Explanation Display functions                | 19        |
| Explanation of buttons                       | 20        |
| Operation                                    | 20        |
| Programs                                     | 20        |
| <b>Cleaning and maintenance</b> .....        | <b>23</b> |
| Defects and malfunctions                     | 23        |
| <b>Transport and storage</b> .....           | <b>23</b> |
| Additional information                       | 23        |
| <b>Technical data</b> .....                  | <b>23</b> |
| <b>Warranty</b> .....                        | <b>23</b> |
| <b>Declaration of the manufacturer</b> ..... | <b>24</b> |
| <b>Disclaimer</b> .....                      | <b>24</b> |

## Crosstrainer

Welcome to the world of Tunturi!  
Thank you for purchasing this piece of Tunturi equipment. Tunturi offers a wide range of home fitness equipment, including crosstrainers, treadmills, exercise bikes and rowers. The Tunturi equipment is suitable for the entire family, no matter what fitness level. For more information, please visit our website [www.tunturi.com](http://www.tunturi.com).

## Safety warnings



### WARNING

- Read the safety warnings and the instructions. Failure to follow the safety warnings and the instructions can cause personal injury or damage to the equipment. Keep the safety warnings and the instructions for future reference.
- The equipment is suitable for domestic use only. The equipment is not suitable for commercial use.
- Max. usage is limited to 3 hrs a day.
- The use of this equipment by children or persons with a physical, sensory, mental or motorial disability, or lack of experience and knowledge can give cause to hazards. Persons responsible for their safety must give explicit instructions or supervise the use of the equipment.
- Before starting your workout, consult a physician to check your health.
- If you experience nausea, dizziness or other abnormal symptoms, immediately stop your workout and consult a physician.
- To avoid muscular pain and strain, start each workout by warming up and finish each workout by cooling down. Remember to stretch at the end of the workout.
- The equipment is suitable for indoor use only. The equipment is not suitable for outdoor use.
- Only use the equipment in environments with adequate ventilation. Do not use the equipment in draughty environments in order not to catch a cold.
- Only use the equipment in environments with ambient temperatures between 10 °C and 35 °C. Only store the equipment in environments with ambient temperatures between 5 °C and 45 °C.
- Do not use or store the equipment in humid surroundings. The air humidity must never be more than 80%.
- Only use the equipment for its intended purpose. Do not use the equipment for other purposes than described in the manual.
- Do not use the equipment if any part is damaged or defective. If a part is damaged or defective, contact your dealer.
- Keep your hands, feet and other body parts away from the moving parts.
- Keep your hair away from the moving parts.
- Wear appropriate clothing and shoes.
- Keep clothing, jewellery and other objects away from the moving parts.
- Make sure that only one person uses the equipment at a time. The equipment must not be used by persons weighing more than 120 kg (265 lbs).
- Do not open equipment without consulting your dealer.



## Electrical safety

(Only for equipment with electric power)

- Before use, always check that the mains voltage is the same as the voltage on the rating plate of the equipment.
- Do not use an extension cable.
- Keep the mains cable away from heat, oil and sharp edges.
- Do not alter or modify the mains cable or the mains plug.
- Do not use the equipment if the mains cable or the mains plug is damaged or defective. If the mains cable or the mains plug is damaged or defective, contact your dealer.
- Always fully unwind the mains cable.
- Do not run the mains cable underneath the equipment. Do not run the mains cable underneath a carpet. Do not place any objects on the mains cable.
- Make sure that the mains cable does not hang over the edge of a table.
- Make sure that the mains cable cannot be caught accidentally or tripped over.
- Do not leave the equipment unattended when the mains plug is inserted into the wall socket.
- Do not pull the mains cable to remove the mains plug from the wall socket.
- Remove the mains plug from the wall socket when the equipment is not in use, before assembly or disassembly and before cleaning and maintenance.

## Description (fig. A)

Your Cross trainer is a piece of stationary fitness equipment used to simulate walking or running without causing excessive pressure to the joints.

## Package contents (fig. B & C)

- The package contains the parts as shown in fig. B.
- The package contains the fasteners as shown in fig. C. Refer to the section "Description"



### NOTE

- If a part is missing, contact your dealer.

## Assembly (fig. D)



### WARNING

- Assemble the equipment in the given order.
- Carry and move the equipment with at least two persons.



### CAUTION

- Place the equipment on a firm, level surface.
- Place the equipment on a protective base to prevent damage to the floor surface.
- Allow at least 100 cm of clearance around the equipment.
- Refer to the illustrations for the correct assembly of the equipment.

## Workouts

The workout must be suitably light, but of long duration. Aerobic exercise is based on improving the body's maximum oxygen uptake, which in turn improves endurance and fitness. You should perspire, but you should not get out of breath during the workout.

To reach and maintain a basic fitness level, exercise at least three times a week, 30 minutes at a time. Increase the number of exercise sessions to improve your fitness level. It is worthwhile to combine regular exercise with a healthy diet. A person committed to dieting should exercise daily, at first 30 minutes or less at a time, gradually increasing the daily workout time to one hour. Start your workout at low speed and low resistance to prevent the cardiovascular system from being subjected to excessive strain.

As the fitness level improves, speed and resistance can be increased gradually. The efficiency of your exercise can be measured by monitoring your heart rate and your pulse rate.

## Exercise Instructions

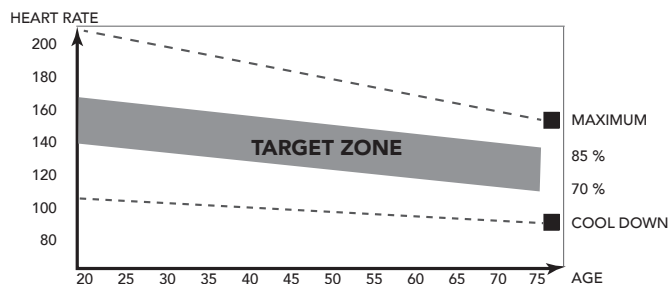
Using your fitness trainer will provide you with several benefits, it will improve your physical fitness, tone muscle and in conjunction with a calorie controlled diet help you lose weight.

### The warming up phase

This stage helps get the blood flowing around the body and the muscles working properly. It will also reduce the risk of cramp and muscle injury. It is advisable to do a few stretching exercises as shown below. Each stretch should be held for approximately 30 seconds, do not force or jerk your muscles into a stretch - if it hurts, STOP

## The exercise phase

This is the stage where you put the effort in. After regular use, the muscles in your legs will become more flexible. Work to your but it is very important to maintain a steady tempo throughout. The rate of work should be sufficient to raise your heart beat into the target zone shown on the graph below.



This stage should last for a minimum of 12 minutes though most people start at about 15-20 minutes

## The cool down phase

This stage is to let your Cardiovascular System and muscles wind down. This is a repeat of the warm up exercise e.g. reduce your tempo, continue for approximately 5 minutes. The stretching exercises should now be repeated, again remembering not to force or jerk your muscles into the stretch.

As you get fitter you may need to train longer and harder. It is advisable to train at least three times a week, and if possible space your workouts evenly throughout the week.

## Muscle toning

To tone muscle while on your fitness trainer you will need to have the resistance set quite high. This will put more strain on our leg muscles and may mean you cannot train for as long as you would like. If you are also trying to improve your fitness you need to alter your training program. You should train as normal during the warm up and cool down phases, but towards the end of the exercise phase you should increase resistance making your legs work harder. You will have to reduce your speed to keep your heart rate in the target zone.

## Weight loss

The important factor here is the amount of effort you put in. The harder and longer you work the more calories you will burn. Effectively this is the same as if you were training to improve your fitness, the difference is the goal.

## Heart rate

### Pulse rate measurement (hand pulse sensors)

The pulse rate is measured by sensors in the handlebars when the user is touching both sensors at the same time. Accurate pulse measurement requires that the skin is slightly moist and constantly touching the hand

pulse sensors. If the skin is too dry or too moist, the pulse rate measurement will become less accurate.



### NOTE

- Do not use the hand pulse sensors in combination with a heart rate chest belt.
- If you set a heart rate limit for your workout, an

### Maximum heart rate (during training)

The maximum heart rate is the highest heart rate a person can safely achieve through exercise stress. The following formula is used to calculate the average maximum heart rate:  $220 - \text{AGE}$ . The maximum heart rate varies from person to person.



### WARNING

- Make sure that you do not exceed your maximum heart rate during your workout. If you belong to a risk group, consult a physician.

### Beginner 50-60% of maximum heart rate

Suitable for beginners, weight-watchers, convalescents and persons who have not exercised for a long time. Exercise at least three times a week, 30 minutes at a time.

### Advanced 60-70% of maximum heart rate

Suitable for persons who want to improve and maintain fitness. Exercise at least three times a week, 30 minutes at a time.

### Expert 70-80% of maximum heart rate

Suitable for the fittest of persons who are used to long-endurance workouts.

## Use

### Adjusting the support feet

The equipment is equipped with 4 support feet. If the equipment is not stable, the support feet can be adjusted.

- Turn the support feet as required to put the equipment in a stable position.
- Tighten the lock-nuts to lock the support feet.



### NOTE

- The machine is the most stable when all support feet are turned fully in. Therefore start to level the machine by turning all support feet fully in, before turning out the required support feet to stable the machine. .

## Adjusting the pedal position

The both pedals can be adjusted according to the height and the exercise position of the user.

- Loosen the 2 pedal fixing knobs.
- Move the pedal to the required position.
- Tighten the pedal fixing knobs.



### NOTE

- Make sure the both pedals are fitted into similar positions always.

## Power supply (Fig. E-1)

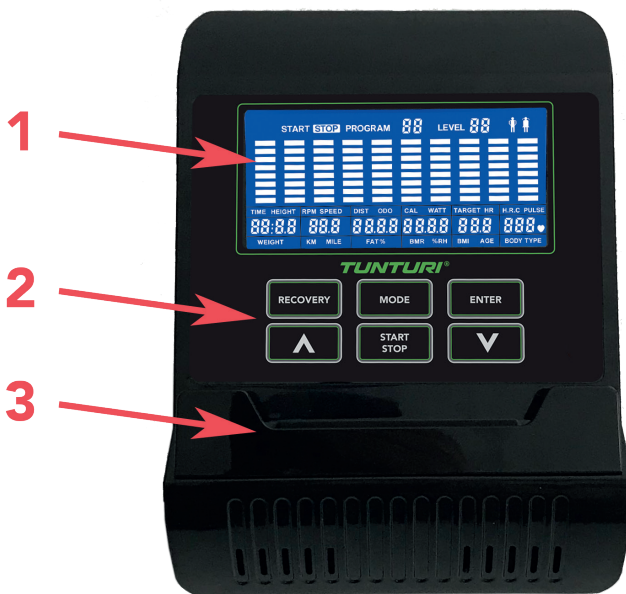
The trainer is powered by an external power supply. Refer to the illustration to locate the trainer power input.



### NOTE

- Connect the power supply with the trainer before connecting it to the wall outlet.
- Always remove power cord when machine is not in use.

## Console (fig F)



1. Display
2. Buttons
3. Tablet/ book support



### CAUTION

- Keep the console away from direct sunlight.
- Dry the surface of the console when it is covered with drops of sweat.
- Do not lean on the console.
- Only touch the display with the tip of your finger. Make sure that your nails or sharp objects do not touch the display.



### NOTE

- The console switches to standby mode when the equipment is not used for 4 minutes.

## Explanation Display functions

### Time

- Without setting the target value, time will count up.
- When setting the target value, time will count down from your target time to 0 and alarm will sound or flash.
- Range 0:00~99:59

### Speed

- Displays current training speed. Maximum speed is 99.99 KM/H
- Without any signal being transmitted into the monitor for 3 seconds during workout, SPEED will display "0.0"

### RPM

- Displays the Rotation Per Minute. Display range 0~20~999.
- Without any signal being transmitted into the monitor for 3 seconds during workout, RPM will display "0"

### Distance

- Without setting the target value, distance will count up.
- When setting the target value, distance will count down from your target distance to 0 with an alarm sound or flash.
- Range 0.00~99.99

### Odo

- Automatically accumulates the Total distance for all exercise sessions.
- Range: 0.0 ~ 99.99 KM/ 0.00 ~ 9999 KM.

### Calories

- Without setting the target value, calorie will count up.
- When setting the target value, calories will count down from your target calorie to 0 with an alarm sound or flash.
- Range 0~999.9.

**NOTE**

- This data is a rough guide for comparison of different exercise sessions which cannot be used in medical treatment

**Watt**

- Display current workout watts.
- Range: 0.0 ~ 999.9 Watt.

**Target HR**

- Display user Target Heart rate (in workout mode only)  
Based on 70% of max. HR (220-Age)

**Age**

- Display user age (in programming mode only)
- Range: 10 ~ 99

**Pulse**

- Current pulse will display after 6 seconds when detected by the console.
- Without any pulse signal for 6 seconds, console will display "P".
- Pulse alarm will sound when current pulse is over the target pulse.
- Range 0-60 ~ 220 BPM.

**Level**

- Shows tension level setting.
- Range: 1 ~ 24

**Program**

- Show current selected workout mode. (1 ~ 19)

**Explanation of buttons****Arrow up**

- Increase resistance level in workout mode
- Setting selection in programming mode.

**Arrow down**

- Decrease resistance level in workout mode.
- Setting selection in programming mode.

**Mode**

- Press MODE button to switch between the parameters of the multi display windows. (in workout mode)

**Enter**

- Confirm setting or selection.

**Start/ Stop**

- Start or Stop workout.
- Push and hold "Start/ Stop" button for 3 seconds to reset: Time, Speed, Distance, Calories, Pulse & Program.

**Recovery**

- After the console detects pulse signal, press the RECOVERY key to enter recovery mode to monitor heart rate recovery ability

**Operation****Power on**

- Plug in power supply to power on computer.
- Press any key to power on the console when being in sleep mode..
- Start pedalling to power on the console when being in sleep mode.

**Power off**

Without any signal being transmitted into the monitor for 4 minutes the monitor will enter SLEEP mode automatically. (Active training data will be lost)

**Programs**

*Programs (fig. - F-01~F19)*

**Quick start (Program 1)**

- Press START/ STOP key to start your workout without any pre-set setting.
- Use UP/ DOWN to adjust resistant level during workout.

**End your workout**

- Press START/ STOP in workout mode to stop/ pause your workout.  
To resume your workout press START/ STOP button in pause mode.
- Press and hold START/ STOP key for over 2 seconds to reset console. (Active training data will be lost)

**Program mode (Program 1~9)**

- Use UP/ DOWN key to select Program 1 ~ 9 and press ENTER to confirm.
- Use UP/ DOWN key to set TIME,  
Range: 0:00 - 5:00 ~ 99:00 ±1:00  
confirm setting by pressing ENTER.
- Use UP/ DOWN key to set DISTANCE,  
Range: 00.00 - 00.10 ~ 99.90 ± 00.10  
confirm setting by pressing ENTER.
- Use UP/ DOWN key to set CALORIES,  
Range: 0.0 - 1.0 ~ 999.0 ± 1.0  
confirm setting by pressing ENTER.
- Use UP/ DOWN key to set AGE,  
Range: 10 ~ 99 ± 1  
confirm setting by pressing ENTER

**NOTE**

- When setting more than one goal, the training will end at first achieved goal.

- Continue the workout by pressing START/ STOP button, and training will end again at first next achieved goal.
  - Leave a goal blank and it will not be seen as a pre-set limit.
  - Target HR is only for visual reference, pulse information will blink when value is over target.
- Press START/ STOP key to start workout
  - Use UP/ DOWN key to adjust resistance level. Load level is shown in LEVEL window.
  - Press START/STOP key to pause workout.
  - Press and hold START/ STOP key for over 2 seconds to reset console and to go back to main menu. (Active training data will be lost)

### Program mode (Program 10)

- Use UP/ DOWN key to select Program 10 and press ENTER to confirm.
- Use UP/ DOWN key to set TIME, Range: 0:00 - 5:00 ~ 99:00 ±1:00 confirm setting by pressing ENTER.
- Use UP/ DOWN key to set DISTANCE, Range: 00.00 - 00.10 ~ 99.90 ± 00.10 confirm setting by pressing ENTER.
- Use UP/ DOWN key to set CALORIES, Range: 0.0 - 1.0 ~ 999.0 ± 1.0 confirm setting by pressing ENTER.
- Use UP/ DOWN key to set WATT Range: 20 ~ 300 ± 10 confirm setting by pressing ENTER.
- Use UP/ DOWN key to set AGE, Range: 10 ~ 99 ± 1 confirm setting by pressing ENTER



#### NOTE

- When setting more than one goal, the training will end at first achieved goal.
  - Continue the workout by pressing START/ STOP button, and training will end again at first next achieved goal.
  - Leave a goal blank and it will not be seen as a pre-set limit.
- Press START/ STOP key to start workout
  - Use UP/ DOWN key to adjust resistance level. Load level is shown in LEVEL window.
  - Press START/STOP key to pause workout.
  - Press and hold START/ STOP key for over 2 seconds to reset console and to go back to main menu. (Active training data will be lost)

### Body Fat (Program 11)

- Use UP/ DOWN key to select Program 11 and press ENTER to confirm.
- Use UP/ DOWN key to set gender, Range: Male / Female confirm setting by pressing ENTER.

- Use UP/ DOWN key to set Height, Range: 110.0 ~ 199.5 cm ± 0.5 confirm setting by pressing ENTER.
- Use UP/ DOWN key to set Weight, Range: 10.0 ~ 200.0 kg ± 0.2 confirm setting by pressing ENTER.
- Use UP/ DOWN key to set Age, Range: 10 ~ 99 ± 1 confirm setting by pressing ENTER
- Press START/ STOP key to start Body fat measurement.
- During measuring, users have to hold both hands on the Hr. hand grips. LCD display "- - - -" for 15 seconds until computer finish measuring.
- LCD will display: FAT%, BMR, BMI & BODY TYPE:



#### NOTE

- Correct "User Profile Settings" is required for this function.

| Male |                 | Female |                 |
|------|-----------------|--------|-----------------|
| 1    | 7.0%~ 9.9%      | 1      | 14.0%~16.9%     |
| 2    | 10.0% to 12.9%. | 2      | 17.0% to 19.9%. |
| 3    | 13.0% to 16.9%. | 3      | 20.0% to 23.9%. |
| 4    | 17.0% to 19.9%. | 4      | 24.0% to 26.9%  |
| 5    | 20.0% to 24.9%. | 5      | 27.0% to 29.9%. |
| 6    | 25%. +          | 6      | 30.0%. +        |

(Body type result table)

### Target heart rate. (Program 12)

- Use UP/ DOWN key to select Program 12 and press ENTER to confirm.
- Use UP/ DOWN key to set TIME, Range: 0:00 - 5:00 ~ 99:00 ±1:00 confirm setting by pressing ENTER.
- Use UP/ DOWN key to set DISTANCE, Range: 00.00 - 00.10 ~ 99.90 ± 00.10 confirm setting by pressing ENTER.
- Use UP/ DOWN key to set CALORIES, Range: 0.0 - 1.0 ~ 999.0 ± 1.0 confirm setting by pressing ENTER.
- Use UP/ DOWN key to set pulse (TARGET HR) limit Range: 0 - 72 ~ 240 ± 1 confirm setting by pressing ENTER.



#### NOTE

- When setting more than one goal, the training will end at first achieved goal.
- Continue the workout by pressing START/ STOP button, and training will end again at first next achieved goal.
- Leave a goal blank and it will not be seen as a pre-set limit.

- Set Pulse limit is resistance control function, Resistance will auto lower when value is over pulse target, and auto upper when under pulse target.
- Press START/ STOP key to start workout
- Use UP/ DOWN key to adjust resistance level. Load level is shown in LEVEL window.
- Press START/ STOP key to pause workout.
- Press and hold START/ STOP key for over 2 seconds to reset console and to go back to main menu. (Active training data will be lost)

### H.R.C. mode. (Program 13~15)

- Use UP/ DOWN key to select Program 13~15  
P13= 60% 60% of (220-Age)  
P14= 75% 75% of (220-Age)  
P14= 85% 85% of (220-Age)  
and press ENTER to confirm.
- Use UP/ DOWN key to set TIME,  
Range: 0:00 - 1:00 ~ 99:00 ±1:00  
confirm setting by pressing ENTER.
- Use UP/ DOWN key to set DISTANCE,  
Range: 00.00 - 00.10 ~ 99.90 ± 00.10  
confirm setting by pressing ENTER.
- Use UP/ DOWN key to set CALORIES,  
Range: 0.0 - 1.0 ~ 999.0 ± 1.0  
confirm setting by pressing ENTER.
- Use UP/ DOWN key to set Age,  
Range: 10 ~ 99 ± 1  
confirm setting by pressing ENTER



#### NOTE

- When setting more than one goal, the training will end at first achieved goal.
- Continue the workout by pressing START/ STOP button, and training will end again at first next achieved goal.
- Leave a goal blank and it will not be seen as a pre-set limit.
- Set Pulse limit is resistance control function, Resistance will auto lower when value is over pulse target, and auto upper when under pulse target.
- Press START/ STOP key to start workout
- Use UP/ DOWN key to adjust resistance level. Load level is shown in LEVEL window.
- Press START/ STOP key to pause workout.
- Press and hold START/ STOP key for over 2 seconds to reset console and to go back to main menu. (Active training data will be lost)

### User program (P16 ~ P19)

- Use UP/ DOWN key to select Program 16 ~ 19 and press ENTER to confirm.

- Use UP/ DOWN key to set TIME,  
Range: 0:00 - 1:00 ~ 99:00 ±1:00  
confirm setting by pressing ENTER.
- Use UP/ DOWN key to set DISTANCE,  
Range: 00.00 - 00.10 ~ 99.90 ± 00.10  
confirm setting by pressing ENTER.
- Use UP/ DOWN key to set CALORIES,  
Range: 0.0 - 1.0 ~ 999.0 ± 1.0  
confirm setting by pressing ENTER.
- Use UP/ DOWN key to set Age,  
Range: 10 ~ 99 ± 1  
confirm setting by pressing ENTER.
- Set tension level for first of 10 columns, and confirm with ENTER to set second level, repeat this for all columns.
- Press START/ STOP key to start workout
- Use UP/ DOWN key to adjust resistance level. Load level is shown in LEVEL window.
- Press START/ STOP key to pause workout.
- Press and hold START/ STOP key for over 2 seconds to reset console and to go back to main menu. (Active training data will be lost, but set program profile will be stored )

### Recovery

- The RECOVERY key will only be valid if pulse is detected.
- TIME will show „0:60“ (seconds) and counts down to 0.
- Computer will show F1 to F6 after the countdown to test heart rate recovery status. User can find the heart rate recovery level based on the chart below.
- Press RECOVERY key again to return to the beginning.

|    |               |
|----|---------------|
| F1 | Outstanding   |
| F2 | Excellent     |
| F3 | Good          |
| F4 | Fair          |
| F5 | Below average |
| F6 | Poor          |

### Trouble shooting:

- If there is no signal when you pedal, please check if the cable is well connected.



#### NOTE

- When stop training for 4 minutes, the main screen will be off.
- If the computer displays abnormally, please re-install the transformer and try again.

## Cleaning and maintenance

The equipment does not require special maintenance. The equipment does not require recalibration when it is assembled, used and serviced according to the instructions.



### WARNING

- Do not use solvents to clean the equipment.
- Clean the equipment with a soft, absorbent cloth after each use.
- Regularly check that all screws and nuts are tight.
- If necessary, lubricate the joints.

## Defects and malfunctions

Despite continuous quality control, defects and malfunctions caused by individual parts can occur in the equipment. In most cases, it will be sufficient to replace the defective part.

- If the equipment does not function properly, immediately contact the dealer.
- Provide the model number and the serial number of the equipment to the dealer. State the nature of the problem, conditions of use and purchase date.

## Transport and storage



### WARNING

- Carry and move the equipment with at least two persons.
- Remain standing in front of the equipment on each side and take a sturdy grip at the handlebars. Tilt the front of the equipment so as to lift the rear of the equipment on the wheels. Move the equipment and carefully put the equipment down. Place the equipment on a protective base to prevent damage to the floor surface.
- Move the equipment carefully over uneven surfaces. Do not move the equipment upstairs using the wheels, but carry the equipment by the handlebars.
- Store the equipment in a dry place with as little temperature variation as possible.

## Additional information

### Packaging disposal

Government guidelines ask that we reduce the amount of waste material disposed of in land fill sites. We therefore ask that you dispose of all packaging waste responsibly at public recycling centres.

### End of life disposal

We at Tunturi hope you enjoy many years of enjoyable use from your fitness trainer. However, a time will come when your fitness trainer will come to the end of its useful life. Under 'European WEEE Legislation you are responsible for the appropriate disposal of your fitness trainer to a recognised public collection facility.

## Technical data

| Parameter        | Unit of measurement | Value |
|------------------|---------------------|-------|
| Length           | cm                  | 124   |
|                  | inch                | 48.8  |
| Width            | cm                  | 55    |
|                  | inch                | 21.7  |
| Height           | cm                  | 160   |
|                  | inch                | 63.0  |
| Weight           | kg                  | 40.0  |
|                  | lbs                 | 88.2  |
| Max. user weight | kg                  | 120   |
|                  | lbs                 | 265   |
| Adapter Voltage  | V                   | 9V-DC |
| Current          | Ma.                 | 0.5A  |

## Warranty

### Tunturi purchaser's warranty

#### Warranty terms

The consumer is entitled to the applicable legal rights stated in the national legislation concerning the commerce of consumer goods. This warranty does not restrict these rights. The Purchaser's Warranty is only valid if the item is used in an environment approved by Tunturi New Fitness BV for that particular equipment.

The product-specific approved environment is stated in the Owner's Manual provided with your equipment.

### **Warranty conditions**

The warranty conditions commence from the date of purchase. Warranty conditions may vary per country, so please consult your local dealer for the warranty conditions.

### **Warranty coverage**

Under no circumstances shall Tunturi New Fitness BV or the Tunturi Distributor be liable by virtue of this warranty or otherwise for any special, indirect, secondary or consequential damages of any nature arising out of any use or inability to use this equipment.

### **Warranty limitations**

This warranty covers manufacturing defects in the fitness equipment as originally packed by Tunturi New Fitness BV. The warranty shall apply only under conditions of normal, recommended use of the product as described in the Owner's Manual and providing that Tunturi New Fitness BV's instructions for installation, maintenance and use have been complied with. Neither Tunturi New Fitness BV's nor the Tunturi Distributors' obligations apply to defects due to reasons beyond their control. The warranty applies only to the original purchaser and is valid only in countries where Tunturi New Fitness BV has an authorised importer. The warranty does not extend to fitness equipment or components that have been modified without the consent of Tunturi New Fitness BV. Defects resulting from normal wear, misuse, abuse, corrosion, or damage incurred during loading or transportation are not covered.

The warranty does not cover sounds or noises emitted during use where these do not substantially impede the use of the equipment and where they are not caused by a fault in the equipment. The warranty does not cover defects arising from the failure to carry periodic maintenance as outlined within the Owner's Manual for the product. Furthermore, the warranty does not cover defects arising from usage and storage within an unsuitable environment as described within the Owner's Manual which should be indoors, dry, dust and grit free and within a temperature range of +15°C to +35°C. The warranty does not cover maintenance activities, such as cleaning, lubricating, and normal part adjustments, nor installation

procedures that customers can accomplish themselves, such as changing uncomplicated meters, pedals and other similar parts not requiring any dismantling/reassembling of the fitness equipment. Warranty repairs carried out by other than authorised Tunturi representatives are not covered.

Failure to follow the instructions given in the Owner's Manual will invalidate the product's warranty.

## **Declaration of the manufacturer**

---

Tunturi New Fitness BV declares that the product is in conformity with the following standards and directives: EN 957 (HC), 89/336/EEC. The product therefore carries the CE label.

07-2018

Tunturi New Fitness BV  
Purmerweg 1  
1311 XE Almere  
The Netherlands

## **Disclaimer**

---

© 2018 Tunturi New Fitness BV  
All rights reserved.

The product and the manual are subject to change.  
Specifications can be changed without further notice.



**Deutsch**

Diese deutsche Bedienungsanleitung ist eine Übersetzung des englischen Textes. Es können keine Rechte auf diese Übersetzung abgeleitet werden.

**Index**

|   |           |
|---|-----------|
| <b>Crosstrainer .....</b>               | <b>25</b> |
| <b>Warnhinweise zur Sicherheit.....</b> | <b>25</b> |
| Elektrische Sicherheit                  | 26        |
| Beschreibung (fig. A)                   | 26        |
| Verpackungsinhalt (Abb. B & C)          | 26        |
| Zusammenbau (Abb. D)                    | 26        |
| <b>Trainings.....</b>                   | <b>26</b> |
| Trainingsanleitung                      | 27        |
| Herzfrequenz                            | 27        |
| <b>Gebrauch.....</b>                    | <b>28</b> |
| Stromzufuhr (Abb. E-1)                  | 28        |
| <b>Konsole (Abb F).....</b>             | <b>28</b> |
| Erläuterung der Anzeigefunktionen       | 29        |
| Erläuterung der Schalter                | 29        |
| Bedienung                               | 30        |
| Programme                               | 30        |
| <b>Reinigung und Wartung.....</b>       | <b>33</b> |
| Störungen und Fehlfunktionen            | 33        |
| <b>Transport und Lagerung.....</b>      | <b>33</b> |
| Zusätzliche Informationen               | 33        |
| <b>Technische Daten.....</b>            | <b>33</b> |
| <b>Garantie.....</b>                    | <b>34</b> |
| <b>Herstellereklärung.....</b>          | <b>34</b> |
| <b>Haftungsausschluss.....</b>          | <b>34</b> |

**Crosstrainer**

Willkommen in der Welt von Tunturi!  
 Danke, dass Sie dieses Gerät von Tunturi erworben haben. Tunturi bietet eine breite Palette an Heim-Fitnessgeräten wie beispielsweise Crosstrainer, Laufbänder, Trainingsfahrräder und Rudergeräte an. Die Tunturi Geräte sind für die ganze Familie geeignet - ganz egal, wie fit man ist. Weitere Informationen finden Sie auf unserer Website unter [www.tunturi.com](http://www.tunturi.com).

**Warnhinweise zur Sicherheit**



**WARNUNG**

- Lesen Sie die Warnhinweise zur Sicherheit und die Anweisungen. Werden die Warnhinweise zur Sicherheit und die Anweisungen nicht befolgt, kann dies zu Personenverletzungen und Schäden am Gerät führen. Bewahren Sie die Warnhinweise zur Sicherheit und die Anweisungen zur künftigen Bezugnahme auf.



**WARNUNG**

- Herzfrequenz-Überwachungssysteme können ungenau sein.
  - Eine Überanstrengung kann zu schweren Schädigungen oder zum Tod führen. Wenn Sie sich schwach oder ohnmächtig fühlen, stellen Sie die Übungen unverzüglich ein.
- Das Gerät ist nur für den Hausgebrauch geeignet. Das Gerät ist nicht für den gewerblichen Gebrauch geeignet.
  - Die maximale Verwendung ist auf 3 Stunden pro Tag beschränkt
  - Wenn dieses Gerät von Kindern oder Personen mit körperlicher, sensorischer, geistiger oder motorischer Behinderung verwendet wird, oder wenn nicht genügend Erfahrung und Kenntnisse vorhanden sind, kann dies zu Gefahrensituationen führen. Personen, die für deren Sicherheit verantwortlich sind, müssen klare Anweisungen geben oder den Gebrauch des Geräts beaufsichtigen.
  - Bevor Sie Ihr Training starten, nehmen Sie Kontakt mit einem Arzt auf, um Ihre Gesundheit kontrollieren zu lassen.
  - Falls Sie Übelkeit, ein Schwindelgefühl oder andere anormale Symptome verspüren, hören Sie unverzüglich mit Ihrem Training auf und wenden Sie sich an einen Arzt.
  - Um einen Muskelkater zu vermeiden, starten Sie jedes Training mit Aufwärmen und beenden Sie es mit Abkühlen. Denken Sie daran, sich am Ende des Trainings zu dehnen.
  - Das Gerät ist nur für den Gebrauch in geschlossenen Räumen geeignet. Das Gerät ist nicht für den Gebrauch im Freien geeignet.
  - Verwenden Sie das Gerät nur in Umgebungen mit ausreichender Belüftung. Verwenden Sie das Gerät nicht in zugiger Umgebung, damit Sie sich nicht erkälten.
  - Verwenden Sie das Gerät nur in Umgebungen mit Umgebungstemperaturen zwischen 10 °C und 35 °C. Lagern Sie das Gerät nur in Umgebungen mit einer Umgebungstemperatur zwischen 5 °C und 45 °C.

- Verwenden und lagern Sie das Gerät nicht in feuchten Umgebungen. Die Luftfeuchtigkeit darf niemals 80% überschreiten.
- Verwenden Sie das Gerät nur bestimmungsgemäß. Verwenden Sie das Gerät nicht für einen anderen als für den in diesem Handbuch beschriebenen Zweck.
- Verwenden Sie das Gerät nicht, falls Teile beschädigt oder defekt sind. Ist ein Teil beschädigt oder defekt, wenden Sie sich an Ihren Händler.
- Halten Sie Ihre Hände, Füße und andere Körperteile von den beweglichen Teilen fern.
- Halten Sie Ihr Haar von den beweglichen Teilen fern.
- Tragen Sie entsprechende Kleidung und Schuhe.
- Halten Sie Kleidung, Schmuck und andere Gegenstände von den beweglichen Teilen fern.
- Vergewissern Sie sich, dass das Gerät nur von einer Person auf einmal verwendet wird. Das Gerät darf nicht von Personen verwendet werden, deren Gewicht 120 kg (265 lbs) überschreitet.
- Öffnen Sie das Gerät nicht, ohne vorher mit Ihrem Händler zu sprechen.

## Elektrische Sicherheit

(Betrifft nur elektrisch betriebene Geräte)

- Vergewissern Sie sich vor der Verwendung stets, dass die Netzspannung mit der Spannung auf dem Typenschild des Geräts übereinstimmt.
- Verwenden Sie kein Verlängerungskabel.
- Halten Sie das Netzkabel von Hitze, Öl und scharfen Kanten fern.
- Verändern Sie nichts am Netzkabel oder am Netzstecker.
- Verwenden Sie das Gerät nicht, falls das Netzkabel oder der Netzstecker beschädigt oder defekt ist. Ist das Netzkabel oder der Netzstecker beschädigt oder defekt, wenden Sie sich an Ihren Händler.
- Wickeln Sie das Netzkabel immer vollständig ab.
- Lassen Sie das Netzkabel nicht unter dem Gerät entlanglaufen. Lassen Sie das Netzkabel nicht unter einem Teppich entlanglaufen. Stellen Sie keine Gegenstände auf das Netzkabel.
- Vergewissern Sie sich, dass das Netzkabel nicht über der Kante eines Tisches hängt. Vergewissern Sie sich, dass niemand versehentlich über das Netzkabel stolpert.
- Lassen Sie das Gerät nicht unbeaufsichtigt, wenn der Netzstecker in die Wandsteckdose eingesteckt ist.
- Ziehen Sie nicht am Netzkabel, um den Netzstecker aus der Wandsteckdose zu ziehen.
- Ziehen Sie den Netzstecker aus der Wandsteckdose, wenn das Gerät nicht verwendet wird, bevor es zusammengebaut oder zerlegt wird sowie vor der Reinigung und Wartung.

## Beschreibung (fig. A)

Ihr Crosstrainer ist ein ortsfestes Fitnessgerät, das zur Simulation des Gehens oder Laufens verwendet wird, ohne dabei einen übermäßigen Druck auf die Gelenke auszuüben.

## Verpackungsinhalt (Abb. B & C)

- Die Verpackung enthält die in Abb. B dargestellten Teile.
- Die Verpackung enthält die Befestigungsteile gemäß Abb. C. Siehe Abschnitt "Beschreibung".



### HINWEIS

- Fehlt ein Teil, wenden Sie sich an Ihren Händler.

## Zusammenbau (Abb. D)



### WARNUNG

- Bauen Sie das Gerät in der angegebenen Reihenfolge zusammen.
- Tragen und bewegen Sie das Gerät mit mindestens zwei Personen.



### VORSICHT

- Stellen Sie das Gerät auf festen, ebenen Boden.
- Stellen Sie das Gerät auf eine schützende Unterlage, um Schäden am Bodenbelag zu vermeiden.
- Sorgen Sie rund um das Gerät für einen Freiraum von mindestens 100 cm.

- Der richtige Zusammenbau des Geräts geht aus den Abbildungen hervor.



### HINWEIS

- Heben Sie die Werkzeuge für künftige Zwecke auf, die zu diesem Produkt geliefert wurden, wenn Sie die Montage beendet haben.

## Trainings

Das Training muss leicht und geeignet, aber von langer Dauer sein. Aerobic-Übungen basieren auf der Verbesserung der maximalen Sauerstoffaufnahme des Körpers, was wiederum die Ausdauer und Fitness verbessert. Sie sollten während des Trainings zwar ins Schwitzen, aber nicht außer Atem kommen.

Um eine Basisfitness zu erreichen und zu halten, üben Sie mindestens drei mal pro Woche 30 Minuten lang an einem Stück. Erhöhen Sie die Anzahl der Übungssitzungen, um Ihre Fitness zu verbessern. Es lohnt sich, die regelmäßigen Übungen mit einer gesunden Diät zu kombinieren. Personen, die Diät machen, sollten täglich zuerst 30 Minuten oder weniger an einem Stück üben und die tägliche Trainingszeit allmählich auf eine Stunde verlängern. Beginnen Sie Ihr Training mit niedriger Geschwindigkeit und geringem Widerstand, um zu vermeiden, dass das Herzkreislaufsystem einer übermäßigen Belastung ausgesetzt wird. Mit sich verbessernder Fitness können Geschwindigkeit und Widerstand allmählich erhöht werden. Die Wirksamkeit Ihrer Übungen kann durch Überwachung der Herzfrequenz und Ihrer Pulsfrequenz gemessen werden.

## Trainingsanleitung

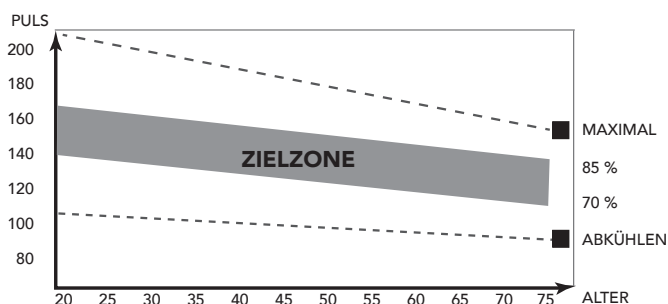
Die Verwendung des Fitnesstrainers wird Ihnen viele Vorteile bieten: Er verbessert Ihre körperliche Fitness, formt die Muskeln und hilft Ihnen, in Verbindung mit einer kalorienreduzierten Diät, Gewicht zu verlieren.

### Die Aufwärm-Phase

Der Blutkreislauf wird angeregt und die Muskelfunktionen werden unterstützt. Außerdem wird das Risiko von Krämpfen und Muskelverletzungen gesenkt. Sie sollten, wie unten angezeigt, einige Dehnungsübungen machen. Sie sollten weder die Dehnungsbewegung erzwingen noch die Muskeln dabei ruckweise bewegen - wenn Sie Schmerzen haben, sollten Sie AUFHÖREN.

### Die Trainings-Phase

In dieser Phase strengen Sie sich an. Nach regelmäßiger Verwendung werden die Muskeln in Ihren Beinen beweglicher. In dieser Phase ist es sehr wichtig, immer ein gleichmäßiges Tempo beizubehalten. Die Anstrengung sollte ausreichen, um Ihren Herzschlag bis in die Zielzone zu erhöhen, die im folgenden Diagramm dargestellt ist.



Diese Phase sollte mindestens 12 Minuten dauern; die meisten Menschen beginnen mit ca. 15 bis 20 Minuten.

### Die Abkühlungs-Phase

Sie dient der Entspannung Ihres Herz-Kreislaufsystems und Ihrer Muskeln. Dabei werden die Aufwärmübungen wiederholt, reduzieren Sie zum Beispiel Ihr Tempo und machen Sie ca. 5 Minuten weiter. Jetzt sollten die Dehnübungen wiederholt werden. Denken Sie wiederum daran, weder die Dehnungsbewegung zu erzwingen noch die Muskeln dabei ruckweise zu bewegen.

Wenn Sie fitter werden, kann es sein, dass Sie länger und härter trainieren müssen. Sie sollten mindestens drei Mal die Woche trainieren und, falls möglich, Ihre Trainingseinheiten gleichmäßig über die Woche verteilen.

### Muskelformung

Um Ihre Muskeln beim Training auf dem Fitnesstrainer zu formen, müssen Sie den Widerstand ziemlich hoch einstellen. Dadurch werden die Beinmuskeln mehr angestrengt und Sie können möglicherweise nicht so lange trainieren, wie Sie möchten. Wenn Sie außerdem Ihre Fitness verbessern möchten, müssen Sie Ihr Trainingsprogramm ändern. Sie sollten in den Aufwärm- und Abkühlphasen normal trainieren, jedoch gegen Ende der Trainingsphase den Widerstand erhöhen, damit Ihre Beine härter arbeiten müssen. Sie müssen die Geschwindigkeit verringern, damit Ihre Herzfrequenz in der Zielzone bleibt.

### Gewichtsabnahme

Der wichtige Faktor ist, wie sehr Sie sich anstrengen. Je härter und je länger Sie trainieren, desto mehr Kalorien verbrennen Sie. Dies ist im Grunde dasselbe, wie wenn zur Verbesserung Ihrer Fitness trainieren, nur das Ziel ist ein anderes.

## Herzfrequenz

### Pulsfrequenzmessung (Handpulssensoren)

Die Pulsfrequenz wird durch Sensoren in den Handgriffen gemessen, wenn der Nutzer beide Sensoren gleichzeitig anfasst. Für eine genaue Pulsmessung ist es erforderlich, dass die Haut etwas feucht ist und die Handpulssensoren konstant berührt werden. Ist die Haut zu trocken oder zu feucht, wird die Pulsfrequenzmessung weniger genau.



#### HINWEIS

- Verwenden Sie die Handpulssensoren nicht in Kombination mit einem Herzfrequenz-Brustgürtel.
- Wenn Sie sich einen Herzfrequenz-Grenzwert für Ihr Training setzen, ertönt beim Überschreiten ein Signal.

## Maximale Herzfrequenz (während des Trainings)

Die maximale Herzfrequenz ist die höchste Herzfrequenz, die eine Person durch Übungsbelastung sicher erzielen kann. Folgende Formel wird zur Berechnung der durchschnittlichen maximalen Herzfrequenz verwendet:  $220 - \text{ALTER}$ . Die maximale Herzfrequenz variiert von Person zu Person.



### WARNUNG

- Stellen Sie sicher, dass Sie während des Trainings Ihre maximale Herzfrequenz nicht überschreiten. Falls Sie einer Risikogruppe angehören, wenden Sie sich an einen Arzt.

## Anfänger

### 50-60% der maximalen Herzfrequenz

Geeignet für Anfänger, Gewicht- Beobachter, Genesende und Personen, die schon lange nicht mehr trainiert haben. Trainieren Sie mindestens dreimal pro Woche 30 Minuten an einem Stück.

## Fortgeschritten

### 60-70% der maximalen Herzfrequenz

Geeignet für Personen, die ihre Fitness verbessern und halten wollen. Trainieren Sie mindestens dreimal pro Woche 30 Minuten an einem Stück.

## Experte

### 70-80% der maximalen Herzfrequenz

Geeignet für die fittesten Personen, die sich an lange Ausdauertrainings gewöhnt haben.

## Gebrauch

### Einstellen der Stützfüße

Das Gerät hat 4 Stützfüße. Steht das Gerät nicht stabil, kann es mit den Stützfüßen eingestellt werden.

- Drehen Sie die Stützfüße wie erforderlich, um das Gerät in eine stabile Position zu bringen.
- Ziehen Sie die Sicherungsmuttern an, um die Stützfüße zu sichern.



### HINWEIS

- Die Maschine steht am stabilsten, wenn alle Stützfüße vollständig eingeschraubt sind. Nivellieren Sie die Maschine daher, indem Sie alle Stützfüße vollständig Eindreuen, bevor Sie die entsprechenden Füße zur Stabilisierung der Maschine wieder herausdrehen.

### Einstellen der Pedalpositionen

Die beiden Pedale können in der Höhe für die Trainingsposition der Nutzerin /des Nutzers eingestellt werden.

- Lösen Sie die Fixierknäufe beider Pedale.
- Bewegen Sie die Pedale in die gewünschte Position.
- Drehen Sie die Fixierknäufe der Pedale wieder fest.



### BITTE BEACHTEN

- Achten Sie darauf, dass beide Pedale immer auf etwas derselben Höhe fixiert werden.

### Stromzufuhr (Abb. E-1)

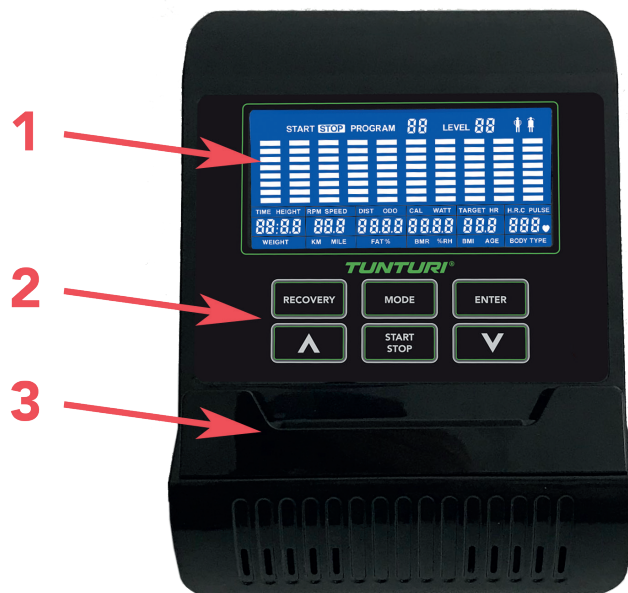
Das Trainingsgerät wird über eine externe Stromversorgung mit Strom versorgt. Die Position des Stromeingangs für das Trainingsgerät finden Sie auf der Abbildung.



### HINWEIS

- Befestigen Sie den Transformator am Trainer bevor Sie diese in der Steckdose stecken.
- Entfernen sie immer das Netzkabel wenn der Trainer nicht benutzt wird.

## Konsole (Abb F)



1. Anzeige
2. Schalter
3. Tablet-/Buchstütze

**VORSICHT**

- Halten Sie die Konsole von direkter Sonneneinstrahlung fern.
- Trocknen Sie die Oberfläche der Konsole, wenn Sie mit Schweißtropfen bedeckt ist.
- Lehnen Sie sich nicht auf die Konsole.
- Berühren Sie die Anzeige nur mit Ihrer Fingerspitze. Vergewissern Sie sich, dass Ihre Nägel oder andere scharfe Gegenstände die Anzeige nicht berühren.

**HINWEIS**

- Die Konsole schaltet in den Standby-Modus, wenn das Gerät 4 Minuten lang nicht verwendet wird.

**Erläuterung der Anzeigefunktionen****Time (Zeit)**

- Ohne Einstellung des Sollwerts wird die Zeit summiert.
- Wenn ein Sollwert eingestellt ist, wird die Zeit vom Zielwert aus auf 0 herabgezählt. Bei 0 ertönt ein Alarm oder erscheint ein Blinklicht. Die Zeit wird wieder summiert, wenn das Training nach Erreichen des Ziels fortgesetzt wird.
- Bereich: 0:00 ~ 99:59

**Speed (Geschwindigkeit)**

- Aktuelle Trainingsgeschwindigkeit wird angezeigt.
- Bereich 0,0 ~ 99.99 KM/H
- Wenn 3 Sekunden lang ohne Training kein Signal auf den Monitor übertragen wird, zeigt SPEED „0,0“ an

**RPM (U/Min)**

- Umdrehungen pro Minute werden angezeigt  
Bereich 0~20~999.
- Wenn 3 Sekunden lang ohne Training kein Signal auf den Monitor übertragen wird, zeigt U/Min „0“ an

**Distance (Entfernung)**

- Ohne Einstellung des Sollwerts wird die Distanz summiert.
- Wenn ein Sollwert eingestellt ist, wird die Distanz vom Zielwert aus auf 0 herabgezählt. Bei 0 ertönt ein Alarm oder erscheint ein Blinklicht.
- Bereich: 0,00 ~ 99,99

**Odo**

- Summiert automatisch die Gesamtstrecke für alle Trainingssitzungen.
- Bereich: 0.0 ~ 99.99 KM/ 0.00 ~ 9999 KM.

**Calories (Kalorien)**

- Ohne Einstellung des Sollwerts werden die Kalorien summiert.
- Wenn ein Sollwert eingestellt ist, werden die Kalorien vom Zielwert aus auf 0 herabgezählt. Bei 0 ertönt ein Alarm oder erscheint ein Blinklicht.
- Bereich 0~999.9

**HINWEIS**

- Diese Daten sind ein grober Anhaltspunkt für den Vergleich verschiedener Trainingssitzungen. Sie können jedoch nicht für eine medizinische Behandlung verwendet werden

**Watt**

- Aktuelle Trainings-Watt werden angezeigt.
- Bereich: 0.0 ~ 999.9 Watt..

**Target HR**

- Zeigt die Zielherzfrequenz des Benutzers an (Nur im Trainingsmodus)  
Basé sur : 70% max. HR (220-Alter)

**Age**

- Benutzeralter anzeigen. (Nur in Programmiermodus)
- Bereich: 10 ~ 99

**Pulse (Puls)**

- Aktueller Puls wird nach sechs Sekunden angezeigt, wenn dieser von der Konsole erkannt wird.
- Wenn sechs Sekunden lang kein Puls-Signal vorhanden ist, zeigt die Konsole „P“ an.
- Der Pulsalarm ertönt, wenn der aktuelle Puls über dem Sollpuls liegt.
- HF-Bereich 0-60 ~ 220 BPM.

**Level**

- Zeigt die Einstellung der Spannungsstufe.
- Bereich: 1 ~ 24

**Program**

- Zeigt den aktuell ausgewählten Trainingsmodus an. (1 ~ 19)

**Erläuterung der Schalter****Pfeil Tasten oben**

- Verwenden Sie die Taste um die Einstellwert zu erhöhen im Programmiermodus.
- Erhöhen des Widerstands im Trainings Modus.

**Pfeil Tasten unten**

- Verwenden Sie die Taste, um die Einstellwert zu verringern im Programmiermodus.
- Verringern des Widerstands im Trainings Modus..

## Mode

- Drücke auf der MODE Taste um im Multi Display Fenster zwischen den unterschiedlichen Parameter zu wählen.  
(im Trainings Modus)

## Enter

- Wählen Sie eine Funktion aus, indem Sie auf die Taste ENTER drücken.

## Start/ Stop

- Trainingsstart bzw. -stopp.
- Halten Sie die Taste START/ STOP 2 Sekunden lang gedrückt, um alle Funktionen zurückzusetzen: Time, Speed, Distance, Calories, Pulse & Program.

## Recovery

- Wenn die Konsole ein Impulssignal erkennt, drücken Sie auf die Taste RECOVERY, um den Recovery-Modus zu öffnen und die Herzfrequenz-Recovery-Fähigkeit zu überwachen

## Bedienung

---

### Einschalten

- Stecken Sie den Stecker der Stromversorgung in die Steckdose. Der Computer fährt hoch und alle Segmente der LCD-Anzeige leuchten 2 Sekunden lang auf.
- Drücken Sie auf eine beliebige Taste, wenn sich die Konsole im Ruhemodus befindet.
- Treten Sie in die Pedale, wenn sich die Konsole im Ruhemodus befindet.

### Ausschalten

Wenn vier Sekunden lang ohne Training kein Signal auf den Monitor übertragen wird, wird dieser automatisch in den Ruhemodus geschaltet (SLEEP).

## Programme

---

Programme (Abb. - F-01~F19)

### Quick start (Schnellstart) (Program 1)

- Drücken Sie auf START/ STOP, um Ihr Training ohne Voreinstellungen zu beginnen.
- Verwenden Sie Pfeilen Tasten zur Einstellung des Widerstandsgrads beim Training.

### Training beenden

- Drücken Sie im Trainingsmodus auf START/ STOP, um das Training zu beenden/anzuhalten. Um das Training wieder aufzunehmen, drücken Sie im Pausenmodus auf die Taste START/ STOP.
- Halten Sie die Taste START/ STOP mehr als zwei Sekunden lang gedrückt, um die Konsole zurückzusetzen. (Aktive Trainingsdaten gehen verloren)

## Program mode (Program 1~9)

- Verwenden Sie die Pfeilen Tasten um Programm 1 ~ 9 auswählen und ENTER zur Bestätigung drücken.
- Verwenden Sie Pfeilen Tasten um TIME einzustellen. Bereich: 0:00 - 5:00 ~ 99:00 ±1:00 drücken Sie zur Bestätigung auf ENTER.
- Verwenden Sie die Pfeilen Tasten um DISTANCE einzustellen. Bereich: 00.00 - 00.10 ~ 99.90 ± 00.10 drücken Sie zur Bestätigung auf ENTER.
- Verwenden Sie die Pfeilen Tasten um CALORIES einzustellen. Bereich: 0.0 - 1.0 ~ 999.0 ± 1.0 drücken Sie zur Bestätigung auf ENTER.
- Verwenden Sie die Pfeilen Tasten um Alter (Age) einzustellen. Bereich: 10 ~ 99 ± 1 drücken Sie zur Bestätigung auf ENTER.



### HINWEIS

- Wenn Sie mehr als ein Ziel einstellen, wird das Training nach Erreichen des ersten Ziels beendet.
- Fortsetzung vom Programm durch Drücken der START/ STOP Taste, das Training wird wieder beendet beim ersten erreichten Ziel.
- Wenn Sie ein Ziel frei lassen, wird es nicht als voreingestellter Zielwert betrachtet.
- Die Target HR ist nur eine Visuelle Referenz, Pulsinformation Blinkt wenn der Zielwert überschritten wird.
- Drücken Sie auf die Taste START/ STOP, um mit dem Training zu beginnen.
- Verwenden Sie die Pfeilen Tasten um den Widerstandsgrad einzustellen.
- Der Ladestand wird im Fenster LEVEL angezeigt.
- Halten Sie die Taste START/ STOP mehr als zwei Sekunden lang gedrückt, um die Konsole zurückzusetzen.  
(Aktive Trainingsdaten gehen verloren) .

## Program mode (Program 10)

- Verwenden Sie die Pfeilen Tasten um Programm 10 auswählen und ENTER zur Bestätigung drücken.
- Verwenden Sie Pfeilen Tasten um TIME einzustellen. Bereich: 0:00 - 5:00 ~ 99:00 ±1:00 drücken Sie zur Bestätigung auf ENTER.
- Verwenden Sie die Pfeilen Tasten um DISTANCE einzustellen. Bereich: 00.00 - 00.10 ~ 99.90 ± 00.10 drücken Sie zur Bestätigung auf ENTER.
- Verwenden Sie die Pfeilen Tasten um CALORIES einzustellen. Bereich: 0.0 - 1.0 ~ 999.0 ± 1.0 drücken Sie zur Bestätigung auf ENTER.
- Verwenden Sie die Pfeilen Tasten um WATT einzustellen. Bereich: 20 ~ 300 ± 10 drücken Sie zur Bestätigung auf ENTER
- Verwenden Sie die Pfeilen Tasten um Alter (Age)

einzustellen.  
 Bereich: 10 ~ 99 ± 1  
 drücken Sie zur Bestätigung auf ENTER.



**HINWEIS**

- Wenn Sie mehr als ein Ziel einstellen, wird das Training nach Erreichen des ersten Ziels beendet.
- Fortsetzung vom Programm durch Drücken der START/ STOP Taste, das Training wird wieder beendet beim ersten erreichten Ziel.
- Wenn Sie ein Ziel frei lassen, wird es nicht als voreingestellter Zielwert betrachtet.

- Drücken Sie auf die Taste START/ STOP, um mit dem Training zu beginnen.
- Verwenden Sie die Pfeilen Tasten um den Widerstandsgrad einzustellen.
- Der Ladestand wird im Fenster LEVEL angezeigt.
- Halten Sie die Taste START/ STOP mehr als zwei Sekunden lang gedrückt, um die Konsole zurückzusetzen.  
 (Aktive Trainingsdaten gehen verloren)

**Body Fat (Program 11)**

- Verwenden Sie die Pfeilen Tasten um Programm 11 auswählen und ENTER zur Bestätigung drücken.
- Verwenden Sie die Pfeilen Tasten um Geschlecht einzustellen.  
 Bereich: Männlich / Weiblich  
 confirm setting by pressing ENTER.
- Verwenden Sie Pfeilen Tasten um Höhe (HEIGHT) einzustellen.  
 Bereich: 110.0 ~ 199.5 cm ± 0.5  
 drücken Sie zur Bestätigung auf ENTER.
- Verwenden Sie die Pfeilen Tasten um Gewicht (WEIGHT) einzustellen.  
 Bereich: 10.0 ~ 200.0 kg ± 0.2  
 drücken Sie zur Bestätigung auf ENTER.
- Verwenden Sie die Pfeilen Tasten um Alter (Age) einzustellen.  
 Bereich: 10 ~ 99 ± 1  
 drücken Sie zur Bestätigung auf ENTER.
- Drücken Sie auf die Taste START/ STOP, um mit der Fettmessung zu beginnen.
- Bei der Messung müssen Nutzerinnen und Nutzer beide Hände an den Handgriffen haben. LCD-Anzeige "- - - -" für 15 Sekunden, bis der Computer die Messung abgeschlossen hat.
- LCD zeigt: FAT%, BMR, BMI & BODY TYPE:



**HINWEIS**

- Für diese Funktion sind korrekte „Nutzerprofileinstellungen“ erforderlich.

| Männlich |               | Weiblich |               |
|----------|---------------|----------|---------------|
| 1        | 7%~ 9.9%      | 1        | 14%~16.9%     |
| 2        | 10% to 12.9%. | 2        | 17% to 19.9%. |
| 3        | 13% to 16.9%. | 3        | 20% to 23.9%. |
| 4        | 17% to 19.9%. | 4        | 24% to 26.9%  |
| 5        | 20% to 24.9%. | 5        | 27% to 29.9%. |
| 6        | 25%. Up       | 6        | 30%. Up       |

(Body type Ergebnistabelle)

**H.R.C. Modus. (Program 12)**

- Verwenden Sie die Pfeilen Tasten um Programm 12 auswählen und ENTER zur Bestätigung drücken.
- Verwenden Sie die Pfeilen Tasten um TIME einzustellen.  
 Bereich: 0:00 - 5:00 ~ 99:00 ±1:00  
 drücken Sie zur Bestätigung auf ENTER.
- Verwenden Sie die Pfeilen Tasten um DISTANCE einzustellen.  
 Bereich: 00.00 - 00.10 ~ 99.90 ± 00.10  
 drücken Sie zur Bestätigung auf ENTER.
- Verwenden Sie die Pfeilen Tasten um CALORIES einzustellen.  
 Bereich: 0.0 - 1.0 ~ 999.0 ± 1.0  
 drücken Sie zur Bestätigung auf ENTER.
- Verwenden Sie die Pfeilen Tasten um die Pulsgrenze (TARGET HR) einzustellen.  
 Bereich: 0 - 72 ~ 240 ± 1  
 drücken Sie zur Bestätigung auf ENTER.



**HINWEIS**

- Wenn Sie mehr als ein Ziel einstellen, wird das Training nach Erreichen des ersten Ziels beendet.
- Fortsetzung vom Programm durch Drücken der START/ STOP Taste, das Training wird wieder beendet beim ersten erreichten Ziel.
- Wenn Sie ein Ziel frei lassen, wird es nicht als voreingestellter Zielwert betrachtet.
- Die Pulsgrenze ist eine Steuerfunktion vom Widerstand. Wenn der Puls über den Zielwert ist wird der Widerstand verringert. Und umgekehrt wenn der Puls unter dem Zielwert ist.

- Drücken Sie auf die Taste START/ STOP, um mit dem Training zu beginnen.
- Verwenden Sie die Pfeilen Tasten um den Widerstandsgrad einzustellen.
- Der Ladestand wird im Fenster LEVEL angezeigt.
- Halten Sie die Taste START/ STOP mehr als zwei Sekunden lang gedrückt, um die Konsole zurückzusetzen.  
 (Aktive Trainingsdaten gehen verloren) .

### H.R.C. mode. (Program 13~15)

- Verwenden Sie die Pfeilen Tasten um Programm 13~15 auswählen  
P13= 60% 60% von (220-Alter)  
P14= 75% 75% von (220-Alter)  
P14= 85% 85% von (220-Alter)  
und ENTER zur Bestätigung drücken.
- Verwenden Sie die Pfeilen Tasten um TIME einzustellen.  
Bereich: 0:00 - 5:00 ~ 99:00 ±1:00  
drücken Sie zur Bestätigung auf ENTER.
- Verwenden Sie die Pfeilen Tasten um DISTANCE einzustellen.  
Bereich: 00.00 - 00.10 ~ 99.90 ± 00.10  
drücken Sie zur Bestätigung auf ENTER.
- Verwenden Sie die Pfeilen Tasten um CALORIES einzustellen.  
Bereich: 0.0 - 1.0 ~ 999.0 ± 1.0  
drücken Sie zur Bestätigung auf ENTER.
- Verwenden Sie die Pfeilen Tasten um Alter (Age) einzustellen.  
Bereich: 10 ~ 99 ± 1  
drücken Sie zur Bestätigung auf ENTER.



#### HINWEIS

- Wenn Sie mehr als ein Ziel einstellen, wird das Training nach Erreichen des ersten Ziels beendet.
  - Fortsetzung vom Programm durch Drücken der START/ STOP Taste, das Training wird wieder beendet beim ersten erreichten Ziel.
  - Wenn Sie ein Ziel frei lassen, wird es nicht als voreingestellter Zielwert betrachtet.
  - Die Pulsgrenze ist eine Steuerfunktion vom Widerstand. Wenn der Puls über den Zielwert ist wird der Widerstand verringert. Und umgekehrt wenn der Puls unter dem Zielwert ist.
- Drücken Sie auf die Taste START/ STOP, um mit dem Training zu beginnen.
  - Verwenden Sie die Pfeilen Tasten um den Widerstandsgrad einzustellen.
  - Der Ladestand wird im Fenster LEVEL angezeigt.
  - Halten Sie die Taste START/ STOP mehr als zwei Sekunden lang gedrückt, um die Konsole zurückzusetzen.  
(Aktive Trainingsdaten gehen verloren)

### Benutzerprogramm (P16 ~P 19)

- Verwenden Sie die Pfeilen Tasten um Programm 16 ~19 auswählen und ENTER zur Bestätigung drücken.
- Verwenden Sie Pfeilen Tasten um TIME einzustellen.  
Bereich: 0:00 - 5:00 ~ 99:00 ±1:00  
drücken Sie zur Bestätigung auf ENTER.
- Verwenden Sie die Pfeilen Tasten um DISTANCE einzustellen.  
Bereich: 00.00 - 00.10 ~ 99.90 ± 00.10  
drücken Sie zur Bestätigung auf ENTER.

- Verwenden Sie die Pfeilen Tasten um CALORIES einzustellen.  
Bereich: 0.0 - 1.0 ~ 999.0 ± 1.0  
drücken Sie zur Bestätigung auf ENTER.
- Verwenden Sie die Pfeilen Tasten um Alter (Age) einzustellen.  
Bereich: 10 ~ 99 ± 1  
drücken Sie zur Bestätigung auf ENTER.
- Stellen Sie die Spannkraft für die erste von 10 Spalten ein und bestätigen Sie mit ENTER um die zweite Stufe zu setzen, wiederholen Sie diese für alle Spalten.
- Drücken Sie auf die Taste START/ STOP, um mit dem Training zu beginnen.
- Verwenden Sie die Pfeilen Tasten um den Widerstandsgrad einzustellen.
- Der Ladestand wird im Fenster LEVEL angezeigt.
- Halten Sie die Taste START/ STOP mehr als zwei Sekunden lang gedrückt, um die Konsole zurückzusetzen.  
(Aktive Trainingsdaten gehen verloren aber das eingestellte Programmprofil wird gespeichert)

### Recovery

- Die Taste RECOVERY ist nur aktiv, wenn ein Puls erkannt wurde.
- TIME zeigt „0:60“ (Sekunden) an und wird auf „0“ herabgezählt.
- Der Computer zeigt nach dem Countdown zum Testen den Herzfrequenz-Recovery-Status F1 bis F6 an. Die Herzfrequenz-Recovery-Stufe kann auf Grundlage folgender Tabelle ermittelt werden.
- Drücken Sie erneut auf die Taste RECOVERY, um zum Anfang zurückzukehren.

|    |                       |
|----|-----------------------|
| F1 | Herausragend          |
| F2 | Hervorragend          |
| F3 | Gut                   |
| F4 | Ausreichend           |
| F5 | Unterdurchschnittlich |
| F6 | Schlecht              |

### Fehlersuche:

- Wenn Sie in die Pedale treten und kein Signal erfolgt, überprüfen Sie bitte, ob das Kabel richtig angeschlossen ist.



#### HINWEIS

- Der Hauptbildschirm wird vier Minuten nach einem Trainingsstopp ausgeschaltet.



- Wenn der Computer ungewöhnliche Dinge anzeigt, trennen Sie bitte die Spannungsversorgung fünf Sekunden lang, bevor Sie sie für einen vollständigen Neustart wieder anschließen

## Reinigung und Wartung

Das Gerät bedarf keiner besonderen Wartung. Das Gerät muss nicht neu kalibriert werden, wenn es gemäß den Anweisungen zusammengebaut, verwendet und gewartet wird.



### WARNUNG

- Entfernen Sie vor der Reinigung und Wartung den Adapter.
  - Verwenden Sie zur Reinigung des Geräts keine Lösungsmittel.
- Reinigen Sie das Gerät nach dem Gebrauch mit einem weichen aufnahmefähigen Lappen.
  - Prüfen Sie regelmäßig, ob alle Schrauben und Muttern fest sind.
  - Schmieren Sie die Gelenke, falls erforderlich.

## Störungen und Fehlfunktionen

Trotz ständiger Qualitätskontrolle können durch Einzelteile verursachte Störungen und Fehlfunktionen am Gerät auftreten. In den meisten Fällen ist es ausreichend, das defekte Teil zu erneuern.

- Falls das Gerät nicht ordnungsgemäß funktioniert, wenden Sie sich unverzüglich an den Händler.
- Nennen Sie dem Händler Modell- und Seriennummer des Geräts. Schildern Sie die Art des Problems, die Gebrauchsbedingungen und das Kaufdatum.

## Transport und Lagerung



### WARNUNG

- Entfernen Sie vor dem Transport und der Lagerung den Adapter.
  - Tragen und bewegen Sie das Gerät mit mindestens zwei Personen.
- Bleiben Sie vor dem Gerät auf beiden Seiten und halten Sie die Handgriffe sicher fest. Heben Sie die Vorderseite des Geräts an, damit die Hinterseite auf die Räder gehoben wird. Bewegen Sie das Gerät und setzen Sie es vorsichtig ab. Stellen Sie das Gerät auf eine schützende Unterlage, um Schäden am Bodenbelag zu vermeiden.

- Bewegen Sie das Gerät vorsichtig über unebene Böden. Bewegen Sie das Gerät nicht auf den Rädern Treppen herauf, sondern tragen Sie es an den Handgriffen.
- Lagern Sie das Gerät an einem trockenen Ort mit möglichst wenig Temperaturschwankungen.

## Zusätzliche Informationen

### Verpackungsentsorgung

Staatliche Vorschriften sagen, dass wir die in Deponien entsorgten Abfallmengen verringern sollen. Daher bitten wir Sie, den gesamten Verpackungsabfall an öffentlichen Recyclingstellen abzugeben

### Entsorgung am ende der Lebensdauer

Wir bei Tunturi hoffen, dass Sie Ihren Fitnesstrainer viele Jahre mit Freude nutzen werden. Jedoch wird irgendwann die Zeit kommen, wenn die Ende der Nutzungsdauer des Fitnesstrainers erreicht ist. Gemäß den europäischen WEEE-Gesetzen sind Sie für eine geeignete Entsorgung des Fitnesstrainers bei einer anerkannten öffentlichen Entsorgungsstelle verantwortlich.

## Technische Daten

| Parameter              | Maßeinheit | Wert          |
|------------------------|------------|---------------|
| Länge                  | cm         | 124           |
|                        | inch       | 48.8          |
| Breite                 | cm         | 55            |
|                        | inch       | 21.7          |
| Körpergröße            | cm         | 160           |
|                        | inch       | 63.0          |
| Gewicht                | kg         | 40.0          |
|                        | lbs        | 88.2          |
| Max. Benutzergewicht   | kg         | 120           |
|                        | lbs        | 265           |
| Adapter Spannung Strom | V<br>Ma.   | 9V-DC<br>0.5A |

## Garantie

---

### Eigentümer-garantie für Tunturi fitnessgeräte.

#### Garantiebedingungen

Der Käufer ist berechtigt die den Handel mit Konsumgütern betreffenden gesetzlichen Rechte gemäß der nationalen Gesetzgebung in Anwendung zu bringen. Diese Rechte werden durch die Garantie nicht eingeschränkt. Bedingungen zu ersetzen. Die Eigentümer-Garantie gilt nur dann, wenn das Gerät in einer für entsprechende Geräte der Tunturi New Fitness BV zugelassenen Anwendungsumgebung verwendet wird. Die für das Gerät zugelassene Anwendungsumgebung wird in der Bedienungsanleitung des Geräts genannt.

#### Garantiedauer

Die Garantie gilt ab Kaufdatum. Die Garantiedauer kann sich je nach Land unterscheiden. Bitte wenden Sie sich an Ihren zuständigen Händler, um die Garantiedauer zu erfahren.

#### Garantieumfang

Unter keinen Umständen haften die Tunturi New Fitness BV oder der Tunturi-Vertragshändler für dem Käufer möglicherweise zugefügte indirekte Schäden wie Gebrauchsbeeinträchtigung oder Einkommensverlust oder anderen wirtschaftlichen Folgeschäden.

#### Einschränkungen der garantie

Die Garantie deckt durch Herstellung oder Material hervorgerufene Fehler des Fitnessgeräts in dessen ursprünglicher Zusammensetzung. Unter Voraussetzung, dass die Aufbau-, Pflege- und Gebrauchsanweisungen von Tunturi befolgt wurden, erstreckt sich die Garantie auf solche Fehler, die bei normaler und einem dem Gerät beiliegenden Anleitungsbuch entsprechender Benutzung auftreten können. Die Tunturi New Fitness BV und der Tunturi-Vertragshändler haften nicht für Fehler, die durch Faktoren außerhalb ihrer Einflussmöglichkeiten hervorgerufen wurden. Die Garantie gilt nur für den ursprünglichen Eigentümer und nur in den Ländern, in denen es einen von der Tunturi New Fitness BV autorisierten Importeur gibt. Die Garantie gilt nicht für solche Fitnessgeräte oder Teile, an denen ohne Zustimmung der Tunturi New Fitness BV Veränderungen vorgenommen worden sind. Die Garantie betrifft auch nicht solche Schäden, die durch natürlichen Verschleiß, fehlerhaften Gebrauch, Benutzung unter für das Gerät nicht vorgesehenen Umständen, Korrosion, Verladung oder Transport hervorgerufen wurden.

Ersatzleistungen aufgrund von Geräuschen, die beim Einsatz des Geräts auftreten, sind von der Garantie ausgeschlossen, sofern diese Geräusche den Gebrauch des Geräts nicht wesentlich beeinträchtigen und nicht durch einen Gerätefehler bedingt sind.

Die Garantie beinhaltet keine Wartungsmaßnahmen, wie Reinigung, Schmieren oder normales Kontrollieren der Teile, auch nicht solche Aufbaumaßnahmen, die der Kunde selbst ausführen kann und die kein spezielles Auseinander- oder Zusammenbauen des Fitnessgeräts erfordern. Zu solchen Maßnahmen gehört beispielsweise das Austauschen von Cockpits, Pedalen oder anderer entsprechender einfacher Teile. Andere als die durch einen autorisierten Tunturi-Vertreter ausgeführten Garantieleistungen werden nicht ersetzt. Durch unsachgemäße, d.h. nicht der Bedienungsanleitung entsprechenden, Bedienung, verfällt jedweder Garantieanspruch.

## Herstellereklärung

---

Tunturi New Fitness BV erklärt hiermit, dass das Produkt folgenden Normen und Richtlinien entspricht: EN 957 (HC), 89/336/EWG. Das Produkt trägt daher das CE-Kennzeichen.

07-2018

Tunturi New Fitness BV  
Purmerweg 1  
1311 XE Almere  
The Netherlands

## Haftungsausschluss

---

© 2018 Tunturi New Fitness BV  
Alle Rechte vorbehalten.

Produkt und Handbuch können geändert werden.  
Die technischen Daten können ohne Vorankündigung geändert werden.

## Français

Ce manuel français est une traduction de la version anglaise. Notez que la version anglaise est en tête dans le contenu lorsque des différences sont trouvées.

## Indice

|   |           |
|---|-----------|
| <b>Vélos elliptiques .....</b>          | <b>35</b> |
| <b>Avertissements de sécurité .....</b> | <b>35</b> |
| Sécurité électrique                     | 36        |
| Description (fig. A)                    | 36        |
| Contenu de l'emballage (fig. B & C)     | 36        |
| Assemblage (fig. D)                     | 36        |
| <b>Exercices .....</b>                  | <b>36</b> |
| Instructions d'entraînement             | 37        |
| Fréquence cardiaque                     | 37        |
| <b>Usage .....</b>                      | <b>38</b> |
| Alimentation électrique (Fig. E-1)      | 38        |
| <b>Console (fig F) .....</b>            | <b>38</b> |
| Explication des fonctions à l'écran     | 39        |
| Explication des boutons                 | 39        |
| Fonctionnement                          | 40        |
| Programmes                              | 40        |
| <b>Nettoyage et maintenance .....</b>   | <b>43</b> |
| Défauts et dysfonctionnements           | 43        |
| <b>Transport et rangement .....</b>     | <b>43</b> |
| Informations supplémentaires            | 43        |
| <b>Données techniques .....</b>         | <b>43</b> |
| <b>Garantie .....</b>                   | <b>44</b> |
| <b>Déclaration du fabricant .....</b>   | <b>44</b> |
| <b>Limite de responsabilité .....</b>   | <b>44</b> |

## Vélos elliptiques

Bienvenue dans l'univers de Tunturi Fitness !  
 Merci pour votre achat de cet élément d'équipement Tunturi. Tunturi offre toute une gamme d'équipements de fitness professionnels, notamment des vélos elliptiques, tapis de course, vélos d'appartement, rameurs et accessoires. Les équipements Tunturi sont parfaits pour toute la famille, quel que soit le niveau de forme de ses membres. Pour en savoir plus, visitez notre site Web [www.tunturi.com](http://www.tunturi.com).

## Avertissements de sécurité



### AVERTISSEMENT

- Lisez les avertissements de sécurité et les instructions. Le non respect des avertissements de sécurité et des instructions est une source de blessure et de dégâts de l'équipement. Conservez les avertissements de sécurité et les instructions pour référence ultérieure.



### AVERTISSEMENT

- Les systèmes de suivi de la fréquence cardiaque peuvent être inexacts. Un exercice excessif peut entraîner des blessures graves voire mortelles. Si vous vous sentez défaillir, interrompez immédiatement l'exercice.

- L'équipement est uniquement adapté à un usage domestique. L'équipement ne convient pas à un usage commercial.
- La durée d'utilisation maximum est limitée à 3 heures par jour.
- L'emploi de cet équipement par des enfants ou des personnes affectés d'un handicap physique, sensoriel, mental ou moteur, voire dont l'expérience ou les connaissances s'avèrent insuffisantes est une source de risques. Les personnes chargées de leur sécurité doivent leur fournir des instructions explicites ou superviser leur usage de l'équipement.
- Avant de commencer vos exercices, effectuez un bilan de santé auprès d'un médecin.
- Si vous êtes pris de nausées ou de vertiges ou sentez d'autres symptômes normaux pendant l'entraînement, interrompez immédiatement la session et consultez votre médecin.
- Afin d'éviter toutes douleurs et tensions musculaires, commencez vos séances par des échauffements et terminez-les par une récupération. N'oubliez pas de vous étirer après vos exercices.
- L'équipement est uniquement adapté à un usage intérieur. L'équipement ne convient pas à un usage extérieur.
- Utilisez l'équipement uniquement dans des environnements correctement ventilés. N'utilisez pas l'équipement dans des endroits exposés aux courants d'air afin de ne pas vous enrhumers.
- Utilisez l'équipement uniquement à une température ambiante entre 10 °C et 35 °C. Rangez l'équipement uniquement à une température ambiante entre 5 °C et 45 °C.
- N'utilisez et ne rangez pas l'équipement dans un environnement humide. L'humidité de l'air ne doit jamais dépasser 80 %.
- Utilisez l'équipement uniquement pour son usage prévu. N'utilisez pas l'équipement pour d'autres usages que ceux décrits dans le manuel.
- N'utilisez pas l'équipement si l'une de ses pièces est endommagée ou défectueuse. Si une pièce est endommagée ou défectueuse, contactez votre revendeur.

- Maintenez vos mains, vos pieds et les autres parties de votre corps à l'écart des pièces mobiles.
- Maintenez votre chevelure à l'écart des pièces mobiles.
- Portez des vêtements et des chaussures adaptés.
- Maintenez les vêtements, bijoux et autres objets à l'écart des pièces mobiles.
- Assurez-vous qu'une seule personne utilise l'équipement à la fois. L'équipement ne doit pas être utilisé par des personnes pesant plus de 120 kg (265 lbs).
- N'ouvrez pas l'équipement sans consulter votre revendeur.

## Sécurité électrique

(Uniquement pour les équipements à alimentation électrique)

- Avant usage, assurez-vous toujours que la tension secteur est identique à celle de la plaque signalétique de l'équipement.
- N'utilisez pas de rallonge.
- Maintenez le câble secteur à l'écart de la chaleur, de l'huile et des bords coupants.
- N'altérez et ne modifiez aucunement le câble secteur ou la fiche secteur.
- N'utilisez pas l'équipement si le câble secteur ou la fiche secteur est endommagé ou défectueux. Si le câble secteur ou la fiche secteur est endommagé ou défectueux, contactez votre revendeur.
- Déroulez toujours complètement le câble secteur.
- Ne passez pas le câble secteur sous l'équipement. Ne passez pas le câble secteur sous un tapis. Ne placez aucun objet sur le câble secteur.
- Assurez-vous que le câble secteur ne pend pas sur le bord d'une table. Assurez-vous que le câble secteur ne peut pas être happé par accident ou faire trébucher.
- Ne laissez pas l'équipement sans surveillance si la fiche secteur est insérée dans la prise murale.
- Ne tirez pas sur le câble secteur pour retirer la fiche secteur de la prise murale.
- Retirez la fiche secteur de la prise murale lorsque l'équipement n'est pas utilisé, avant l'assemblage et le démontage et avant le nettoyage et la maintenance.

## Description (fig. A)

Votre vélo elliptique est un élément d'équipement de fitness stationnaire servant à simuler la marche ou la course sans exercer de pression excessive sur les jointures.

## Contenu de l'emballage (fig. B & C)

- L'emballage contient les pièces illustrées en fig. B.
- L'emballage contient les fixations illustrées en fig. C. Voir la section "Description".



### NOTE

- Si une pièce manque, contactez votre revendeur.

## Assemblage (fig. D)



### AVERTISSEMENT

- Assemblez l'équipement dans l'ordre indiqué.
- Deux personnes au moins sont nécessaires pour transporter et déplacer l'équipement.



### PRÉCAUTION

- Placez l'équipement sur une surface plane et ferme.
- Placez l'équipement sur une base protectrice pour éviter d'endommager la surface du sol.
- Prévoyez un dégagement d'au moins 100 cm autour de l'équipement.

- Consultez les illustrations pour l'assemblage correct de l'équipement.



### NOTE

- Conservez les outils livrés avec ce produit après son montage, pour d'éventuels entretiens.

## Exercices

Un exercice doit être suffisamment léger mais prolongé. L'exercice aérobic repose sur l'amélioration de l'absorption maximum d'oxygène par le corps, améliorant à son tour l'endurance et la forme. Vous devez transpirer mais sans jamais être à bout de souffle durant l'exercice.

Pour atteindre et entretenir un niveau de forme basique, exercez-vous au moins 3 fois par semaine, par session de 30 minutes. Accroissez le nombre des sessions d'exercice pour améliorer votre niveau de forme. Il est profitable de combiner un exercice régulier et un régime sain. Une personne suivant un régime doit s'exercer au quotidien, au début 30 minutes ou moins pour chaque session afin d'accroître ensuite progressivement le temps d'exercice quotidien pour atteindre une heure. Commencez vos exercices à une vitesse lente et avec une faible résistance pour éviter de soumettre le système cardiovasculaire à une

contrainte excessive. À mesure de l'amélioration de votre forme, accroissez progressivement la vitesse et la résistance. L'efficacité de votre exercice est mesurable en suivant votre fréquence cardiaque et votre pouls.

## Instructions d'entraînement

L'utilisation de votre appareil de fitness vous procurera plusieurs avantages : il vous permettra d'améliorer votre forme physique, de tonifier vos muscles et, associé à un régime hypocalorique, de perdre du poids.

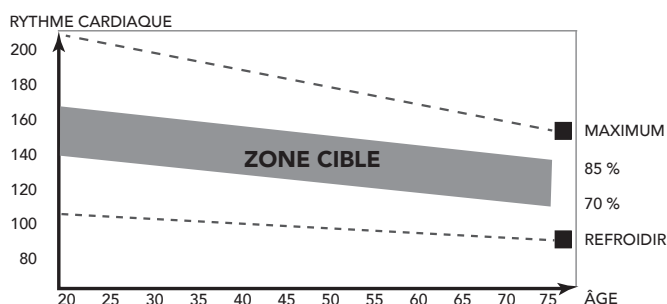
### Phase d'échauffement

Cette étape favorise la circulation du sang dans tout le corps et le bon fonctionnement des muscles. Elle réduit également le

risque de crampes et de lésions musculaires. Il est conseillé de faire quelques exercices d'étirement, comme ceux qui sont indiqués ci-dessous. Chaque étirement doit être maintenu pendant environ 30 secondes. Ne forcez pas ou n'étirez pas excessivement un muscle. Si vous sentez qu'une position vous fait mal, ARRÊTEZ.

### Phase d'exercice

C'est l'étape principale de votre entraînement. Après une utilisation régulière de l'appareil, vous sentirez que les muscles de vos jambes ont gagné en souplesse. Il est très important de maintenir un rythme régulier tout au long de la séance. Le rythme de travail doit être suffisant pour faire monter votre rythme cardiaque dans la zone cible indiquée sur le graphique ci-dessous.



Cette étape doit durer au moins 12 minutes, bien que l'on commence généralement à environ 15-20 minutes.

### Phase de refroidissement

Cette étape a pour objectif de laisser votre système cardiovasculaire et vos muscles reprendre leur rythme normal. Il s'agit d'une répétition de l'exercice d'échauffement. Baissez le rythme et continuez pendant environ 5 minutes. Vous devez ensuite refaire les exercices d'étirement et souvenez-vous de ne pas forcer ou trop étirer un muscle dans une certaine position.

À mesure que vous améliorerez votre forme, vous ressentirez peut-être le besoin de vous entraîner plus longtemps ou de faire des entraînements plus poussés. Il est conseillé de s'entraîner au moins trois fois par semaine et, si possible, d'espacer les séances régulièrement tout au long de la semaine.

## Tonification musculaire

Pour tonifier vos muscles à l'aide de l'appareil de fitness, vous devrez sélectionner une résistance assez élevée. Les muscles de vos jambes seront davantage sollicités et vous ne pourrez peut-être pas vous entraîner aussi longtemps que vous le voudriez. Si vous souhaitez également améliorer votre forme, vous devrez modifier votre programme d'entraînement. Entraînez-vous normalement pendant les phases d'échauffement et de refroidissement, mais vers la fin de l'exercice, augmentez la résistance en faisant travailler vos jambes davantage. Vous devrez réduire la vitesse pour maintenir votre rythme cardiaque dans la zone cible.

## Perte de poids

Ici, le facteur important est l'effort que vous déployez. Plus vous entraînez longtemps et de manière soutenue, plus vous brûlerez de calories. C'est en réalité le même principe que pour l'entraînement d'amélioration de la forme ; la différence est l'objectif recherché.

## Fréquence cardiaque

### Mesure du pouls (pulsomètres)

Le pouls est mesuré par des capteurs dans les poignets lorsque l'utilisateur touche les deux capteurs à la fois. La mesure la plus précise du pouls nécessite une peau légèrement humide et un contact constant des pulsomètres. Si la peau est trop sèche ou humide, la mesure du pouls peut devenir moins précise.



#### NOTE

- N'utilisez pas les pulsomètres en même temps que la sangle thoracique de fréquence cardiaque.
- – Si vous réglez une fréquence cardiaque limite pour votre exercice, une alarme retentit dès qu'elle est dépassée.

### Fréquence cardiaque maximum (durant l'exercice)

La fréquence cardiaque maximum est la fréquence la plus élevée qu'une personne peut atteindre en toute sécurité sous la contrainte de l'exercice. La formule suivante sert à calculer la fréquence cardiaque maximum moyenne :  $220 - \text{ÂGE}$ . La fréquence cardiaque maximum varie d'une personne à l'autre.



#### AVERTISSEMENT

- Assurez-vous de ne pas dépasser votre fréquence cardiaque maximum durant l'exercice. Si vous appartenez à un groupe à risque, consultez un médecin.

### Débutant

#### 50-60% de fréquence cardiaque maximum

Adapté aux débutants, aux personnes suivant leur poids, aux convalescents et aux personnes ne s'exerçant pas depuis un certain temps. Exercez-vous au moins trois fois par semaine, par session de 30 minutes.

### Avancé

#### 60-70% de fréquence cardiaque maximum

Adapté aux personnes souhaitant améliorer et entretenir leur forme. Exercez-vous au moins trois fois par semaine, par session de 30 minutes.

### Expert

#### 70-80% de fréquence cardiaque maximum

Adapté aux personnes les plus en forme, habituées aux exercices d'endurance prolongés.

## Usage

### Réglage des pieds de support

L'équipement comporte 4 pieds de support. Si l'équipement est instable, vous pouvez régler les pieds de support.

- Tournez les pieds de support, selon les besoins, pour placer l'équipement en position stable.
- Serrez les écrous d'arrêt pour bloquer les pieds de support.



#### NOTE

- La stabilité de la machine est maximisée lorsque tous les pieds de support sont complètement tournés vers l'intérieur. Vous devez donc commencer à mettre la machine de niveau en tournant tous les pieds de support vers l'intérieur avant de sortir les pieds de support requis pour stabiliser la machine

### Ajustement de la position de la pédale

Les deux pédales peuvent être réglées en fonction de la taille et de la position d'exercice de l'utilisateur.

- Desserrez les 2 boutons fixant la pédale.
- Déplacez la pédale dans la position requise.
- Resserrez les 2 boutons fixant la pédale.



#### NOTE

- Veillez à ce que les deux pédales soient toujours fixées dans des positions similaires.

## Alimentation électrique (Fig. E-1)

L'alimentation de l'appareil d'entraînement est externe. Reportez-vous à l'illustration pour situer l'entrée de l'alimentation de l'appareil d'entraînement.



#### NOTE

- Fixer le transformateur sur la machine avant de le brancher dans une prise murale.
- Toujours retirer le cordon d'alimentation lorsque la machine n'est pas en fonctionnement

## Console (fig F)



1. Écran
2. Boutons
3. Assistance tablette/livre



#### PRÉCAUTION

- Maintenez la console à l'écart de la lumière directe du soleil.
- Séchez la surface de la console dès qu'elle est couverte de gouttes de sueur.
- Ne vous appuyez pas sur la console.
- Touchez l'affichage uniquement avec le bout du doigt. Assurez-vous de ne pas toucher l'affichage avec vos ongles ou des objets coupants.



#### NOTE

- La console passe en mode de veille si l'équipement n'est pas utilisé pendant 4 minutes.

## Explication des fonctions à l'écran

### Time (Durée)

- La durée est additionnée sans définir de valeur cible.
- Lorsqu'une valeur cible est fixée, la durée est comptée à rebours, de la valeur cible à 0 et l'alarme résonnera ou clignotera.  
La durée continuera à s'additionner si l'entraînement n'est pas arrêté une fois l'objectif atteint.
- Plage: 0:00~99:59

### Speed (Vitesse)

- Affiche la vitesse actuelle d'entraînement.
- Plage: 0.0 ~ 99.99 KM/H
- SPEED affiche « 0.0 » si aucun signal n'est transmis au moniteur pendant 3 secondes au cours de l'entraînement.

### RPM (tr/min)

- Affichage des rotations par minute
- Plage: 0~20~999...
- RPM affiche « 0 » si aucun signal n'est transmis au moniteur pendant 3 secondes au cours de l'entraînement.

### Distance

- La distance parcourue est additionnée sans définir de valeur cible.
- Lorsqu'une valeur cible est fixée, la distance est comptée à rebours, de la valeur cible à 0 avec une alarme sonore ou clignotante.
- Portée 0.00~99.99

### Odo

- Additionne automatiquement la distance totale parcourue lors des différentes séances d'entraînement.
- Plage: 0.0 ~ 99.99 KM/ 0.00 ~ 9999 KM.

### Calories

- Les calories s'additionnent sans définir de valeur cible.
- Lorsqu'une valeur cible est fixée, les calories sont comptées à rebours, de la valeur cible à 0 avec une alarme sonore ou clignotante..
- Portée 0~999.9



### NOTE

- Ces données sont fournies à titre indicatif pour comparer entre différentes séances d'entraînement ; elles ne doivent pas être utilisées dans le cadre d'un traitement médical.

### Watt

- Affiche la puissance actuelle de l'entraînement.
- Portée: 0.0 ~ 999.9 Watt.

### Target HR

- Affiche la fréquence cardiaque cible de l'utilisateur (Seulement en mode d'entraînement)  
Basé sur 70% max. HR (220-âge)

### Age

- Afficher l'âge de l'utilisateur.  
(Seulement en mode de programmation)
- Plage: 10 ~ 99

### Pulse (Pouls)

- Le pouls actuel s'affiche après 6 secondes de la détection par la console.
- La console affiche « P » s'il n'y a aucun signal de pouls pendant 6 secondes.
- L'alarme de pouls résonne lorsque le pouls actuel est supérieur au pouls cible.
- Plage 0-60 ~ 220 BPM.

### Level

- Indique le réglage du niveau de tension.
- Plage: 1 ~ 24

### Program

- Afficher le mode d'entraînement sélectionné en cours. (1 ~ 19)

## Explication des boutons

### Touche fléchée haut

- Augmente le niveau de résistance pendant l'entraînement en mode d'entraînement.
- Parcourez les programmes et changez les valeurs en mode programmation.

### Touche fléchée bas

- Réduit le niveau de résistance pendant l'entraînement en mode d'entraînement.
- Parcourez les programmes et changez les valeurs en mode programmation.

### Mode

- Appuyez sur le bouton mode pour basculer entre les paramètres des fenêtres multi-affichages.  
(en mode d'entraînement).

### Enter

- Choisir chaque fonction en appuyant sur la touche ENTER.

### Start/ Stop

- Démarrer ou arrêter (pause) l'exercice.
- Maintenir la touche "Start/ Stop" enfoncée pendant 3 secondes pour réinitialiser toutes les fonctions: Time, Speed, Distance, Calories, Pulse & Program.

## Recovery (Récupération)

- Après la détection du signal d'impulsion par la console, appuyer sur la touche RECOVERY (récupération) pour passer en mode récupération et suivre la capacité de récupération du rythme cardiaque

## Fonctionnement

### Marche

- Branchez l'alimentation électrique : l'ordinateur se met sous tension et affiche tous les segments sur l'écran LCD pendant 2 secondes.
- Appuyer sur une touche pour mettre en marche la console en mode veille.
- Commencer à pédaler pour mettre en marche la console en mode veille.

### Mettre hors tension

Le moniteur passe automatiquement en mode SLEEP (veille) si aucun signal n'est transmis au moniteur pendant 4 minutes.

## Programmes

Programmes (fig. - F-01~F19)

### Quick start (Program 1)

- Appuyer sur la touche START/ STOP pour commencer votre entraînement sans configurer aucun paramètre au préalable.
- Utiliser HAUT/ BAS du bouton pour régler le niveau de résistance pendant l'entraînement.

### Fin de l'entraînement

- Appuyer sur START/ STOP (marche/arrêt) en mode entraînement pour arrêter/suspendre votre entraînement.  
Pour reprendre, appuyer sur le bouton START/ STOP (marche/arrêt) en mode pause.
- Maintenir la touche START/ STOP enfoncée pendant plus de 2 secondes pour réinitialiser la console. (Les données d'entraînement actives seront perdues)

### Program mode (Program 1~9)

- Appuyer sur la touche HAUT/ BAS pour sélectionner le programme 1 ~ 9 et appuyez sur ENTER pour confirmer.
- Appuyer sur la touche HAUT/ BAS du bouton pour régler TIME (durée).  
Plage: 0:00 - 5:00 ~ 99:00 ±1:00  
puis appuyer sur ENTER pour confirmer le réglage.
- Appuyer sur la touche HAUT/ BAS du bouton pour régler DISTANCE  
Plage: 00.00 - 00.10 ~ 99.90 ± 00.10  
puis appuyer sur ENTER pour confirmer le réglage.

- Appuyer sur la touche HAUT/ BAS du bouton pour régler CALORIES.  
Plage: 0.0 - 1.0 ~ 999.0 ± 1.0  
puis appuyer sur ENTER pour confirmer le réglage.
- Appuyer sur la touche HAUT/ BAS du bouton pour régler âge (Age).  
Plage: 10 ~ 99 ± 1  
puis appuyer sur MODE pour confirmer le réglage.



### NOTE

- Si vous vous fixez plusieurs objectifs, l'entraînement s'arrêtera après chaque objectif atteint.
  - Continuez l'entraînement en appuyant sur le bouton START/ STOP, et l'entraînement se terminera au premier but atteint.
  - Si vous laissez un objectif vide, il ne sera pas considéré comme une limite prédéfinie.
  - La Target HR est seulement une référence visuelle, l'information d'impulsion clignote lorsque la valeur cible est dépassée.
- Appuyer sur la touche START/ STOP pour commencer l'entraînement
  - Appuyer sur la touche HAUT/ BAS (haut/bas) du bouton pour régler le niveau de résistance.
  - La charge est indiquée à la fenêtre LEVEL.
  - Maintenir la touche START/ STOP enfoncée pendant 3 secondes pour réinitialiser toutes les fonctions: Time, Speed, Distance, Calories, Pulse & Program.

### Program mode (Program 10)

- Appuyer sur la touche HAUT/ BAS pour sélectionner le programme 10 et appuyez sur ENTER pour confirmer.
- Appuyer sur la touche HAUT/ BAS du bouton pour régler TIME (durée).  
Plage: 0:00 - 5:00 ~ 99:00 ±1:00  
puis appuyer sur ENTER pour confirmer le réglage.
- Appuyer sur la touche HAUT/ BAS du bouton pour régler DISTANCE  
Plage: 00.00 - 00.10 ~ 99.90 ± 00.10  
puis appuyer sur ENTER pour confirmer le réglage.
- Appuyer sur la touche HAUT/ BAS du bouton pour régler CALORIES.  
Plage: 0.0 - 1.0 ~ 999.0 ± 1.0  
puis appuyer sur ENTER pour confirmer le réglage.
- Appuyer sur la touche HAUT/ BAS du bouton pour régler WATT.  
Plage: 20 ~ 300 ± 10  
puis appuyer sur ENTER pour confirmer le réglage.
- Appuyer sur la touche HAUT/ BAS du bouton pour régler âge (Age).  
Plage: 10 ~ 99 ± 1  
puis appuyer sur MODE pour confirmer le réglage.



**NOTE**

- Si vous vous fixez plusieurs objectifs, l'entraînement s'arrêtera après chaque objectif atteint.
  - Continuez l'entraînement en appuyant sur le bouton START/ STOP, et l'entraînement se terminera au premier but atteint.
  - Si vous laissez un objectif vide, il ne sera pas considéré comme une limite prédéfinie.
- Appuyer sur la touche START/ STOP pour commencer l'entraînement
  - Appuyer sur la touche HAUT/ BAS (haut/bas) du bouton pour régler le niveau de résistance.
  - La charge est indiquée à la fenêtre LEVEL.
  - Maintenir la touche START/ STOP enfoncée pendant 3 secondes pour réinitialiser toutes les fonctions: Time, Speed, Distance, Calories, Pulse & Program.

**Body Fat (Program 11)**

- Appuyer sur la touche HAUT/ BAS pour sélectionner le programme 11 et appuyez sur ENTER pour confirmer.
- Appuyer sur la touche HAUT/ BAS du bouton pour régler sexe.  
Range: Mâle / Femelle  
confirm setting by pressing ENTER
- Appuyer sur la touche HAUT/ BAS du bouton pour régler la taille (HEIGHT)  
Plage: 110.0 ~ 199.5 cm  $\pm$  0.5  
puis appuyer sur ENTER pour confirmer le réglage.
- Appuyer sur la touche HAUT/ BAS du bouton pour régler poids (WEIGHT).  
Plage: 10.0 ~ 200.0 kg  $\pm$  0.2.  
puis appuyer sur ENTER pour confirmer le réglage.
- Appuyer sur la touche HAUT/ BAS du bouton pour régler âge (AGE).  
Plage: 10 ~ 99  $\pm$  1  
puis appuyer sur MODE pour confirmer le réglage.
- Appuyer sur la touche START/ STOP (masse grasse) pour démarrer la mesure de la masse grasse.
- Pendant la mesure, les utilisateurs doivent tenir les poignées des deux mains. L'écran LCD affiche « - - - » pendant 15 secondes jusqu'à ce que l'ordinateur finisse la mesure.
- L'écran LCD affichera le: FAT%, BMR, BMI & BODY TYPE:

**REMARQUE**

- Des « réglages de profil utilisateur » corrects sont nécessaires pour cette fonction.

| Mâle |               | Femelle |               |
|------|---------------|---------|---------------|
| 1    | 7%~ 9.9%      | 1       | 14%~16.9%     |
| 2    | 10% to 12.9%. | 2       | 17% to 19.9%. |
| 3    | 13% to 16.9%. | 3       | 20% to 23.9%. |
| 4    | 17% to 19.9%. | 4       | 24% to 26.9%  |
| 5    | 20% to 24.9%. | 5       | 27% to 29.9%. |
| 6    | 25%. Up       | 6       | 30%. Up       |

(Body type table de résultats)

**Mode H.R.C. (Program 12)**

- Appuyer sur la touche HAUT/ BAS pour sélectionner le programme 12 et appuyez sur ENTER pour confirmer.
- Appuyer sur la touche HAUT/ BAS du bouton pour régler TIME (durée).  
Plage: 0:00 - 5:00 ~ 99:00  $\pm$  1:00  
puis appuyer sur ENTER pour confirmer le réglage.
- Appuyer sur la touche HAUT/ BAS du bouton pour régler (DISTANCE)  
Plage: 00.00 - 00.10 ~ 99.90  $\pm$  00.10  
puis appuyer sur ENTER pour confirmer le réglage.
- Appuyer sur la touche HAUT/ BAS du bouton pour régler (CALORIES).  
Plage: 0.0 - 1.0 ~ 999.0  $\pm$  1.0  
puis appuyer sur ENTER pour confirmer le réglage.
- Appuyer sur la touche HAUT/ BAS du bouton pour régler la limite d'impulsion (TARGET HR).  
Plage: 0 - 72 ~ 240  $\pm$  1  
puis appuyer sur MODE pour confirmer le réglage.

**NOTE**

- Si vous vous fixez plusieurs objectifs, l'entraînement s'arrêtera après chaque objectif atteint.
  - Continuez l'entraînement en appuyant sur le bouton START / STOP, et l'entraînement se terminera au premier but atteint.
  - Si vous laissez un objectif vide, il ne sera pas considéré comme une limite prédéfinie.
  - Le réglage de la limite d'impulsion est la fonction de contrôle de résistance, la résistance diminue automatiquement lorsque la valeur est sur la cible d'impulsion, et l'auto supérieure lorsqu'elle est inférieure à la cible d'impulsion.
- Appuyer sur la touche START/ STOP pour commencer l'entraînement
  - Appuyer sur la touche HAUT/ BAS (haut/bas) du bouton pour régler le niveau de résistance.
  - La charge est indiquée à la fenêtre LEVEL.
  - Maintenir la touche START/ STOP enfoncée pendant 3 secondes pour réinitialiser toutes les fonctions: Time, Speed, Distance, Calories, Pulse & Program.

### H.R.C. mode. (Program 13~15)

- Appuyer sur la touche HAUT/ BAS pour sélectionner le programme 13~15.  
P13= 60% 60% de (220-Âge)  
P14= 75% 75% de (220-Âge)  
P14= 85% 85% de (220-Âge)  
et appuyez sur ENTER pour confirmer.
- Appuyer sur la touche HAUT/ BAS du bouton pour régler TIME (durée).  
Plage: 0:00 - 5:00 ~ 99:00 ±1:00  
puis appuyer sur ENTER pour confirmer le réglage.
- Appuyer sur la touche HAUT/ BAS du bouton pour régler (DISTANCE)  
Plage: 00.00 - 00.10 ~ 99.90 ± 00.10  
puis appuyer sur ENTER pour confirmer le réglage.
- Appuyer sur la touche HAUT/ BAS du bouton pour régler (CALORIES).  
Plage: 0.0 - 1.0 ~ 999.0 ± 1.0  
puis appuyer sur ENTER pour confirmer le réglage.
- Appuyer sur la touche HAUT/ BAS du bouton pour régler âge (AGE).  
Plage: 10 ~ 99 ± 1  
puis appuyer sur MODE pour confirmer le réglage.



#### NOTE

- Si vous vous fixez plusieurs objectifs, l'entraînement s'arrêtera après chaque objectif atteint.
  - Continuez l'entraînement en appuyant sur le bouton START / STOP, et l'entraînement se terminera au premier but atteint.
  - Si vous laissez un objectif vide, il ne sera pas considéré comme une limite prédéfinie.
  - Le réglage de la limite d'impulsion est la fonction de contrôle de résistance, la résistance diminue automatiquement lorsque la valeur est sur la cible d'impulsion, et l'auto supérieure lorsqu'elle est inférieure à la cible d'impulsion.
- Appuyer sur la touche START/ STOP pour commencer l'entraînement
  - Appuyer sur la touche HAUT/ BAS (haut/bas) du bouton pour régler le niveau de résistance.
  - La charge est indiquée à la fenêtre LEVEL.
  - Maintenir la touche START/ STOP enfoncée pendant 3 secondes pour réinitialiser toutes les fonctions: Time, Speed, Distance, Calories, Pulse & Program.

### Programme utilisateur (P16 ~ P19)

- Appuyer sur la touche HAUT/ BAS du bouton pour régler TIME (durée).  
Plage: 0:00 - 5:00 ~ 99:00 ±1:00  
puis appuyer sur ENTER pour confirmer le réglage.
- Appuyer sur la touche HAUT/ BAS du bouton pour régler (DISTANCE)  
Plage: 00.00 - 00.10 ~ 99.90 ± 00.10  
puis appuyer sur ENTER pour confirmer le réglage.

- Appuyer sur la touche HAUT/ BAS du bouton pour régler (CALORIES).  
Plage: 0.0 - 1.0 ~ 999.0 ± 1.0  
puis appuyer sur ENTER pour confirmer le réglage.
- Appuyer sur la touche HAUT/ BAS du bouton pour régler âge (AGE).  
Plage: 10 ~ 99 ± 1  
puis appuyer sur MODE pour confirmer le réglage.
- Réglez le niveau de tension pour le premier des 10 columns et confirmez avec MODE pour régler le deuxième niveau, répétez ceci pour toutes les colonnes.
- Appuyer sur la touche START/ STOP pour commencer l'entraînement
- Appuyer sur la touche HAUT/ BAS (haut/bas) du bouton pour régler le niveau de résistance.
- La charge est indiquée à la fenêtre LEVEL.
- Maintenir la touche START/ STOP enfoncée pendant 3 secondes pour réinitialiser toutes les fonctions: Time, Speed, Distance, Calories, Pulse & Program.  
(Définir le profil du programme sera stocké)

### Récupération

- La touche RECOVERY (récupération) est valide si un pouls est décelé.
- TIME (durée) affiche « 0:60 » (secondes) et compte à rebours jusqu'à 0.
- L'ordinateur affiche F1 à F6 après le compte à rebours afin de tester l'état de récupération du rythme cardiaque. Le niveau de récupération du rythme cardiaque peut être retrouvé dans le graphique ci-après.
- Appuyer à nouveau sur la touche RECOVERY (récupération) pour revenir au début.

|    |                        |
|----|------------------------|
| F1 | Remarquable            |
| F2 | Excellent              |
| F3 | Bon                    |
| F4 | Acceptable             |
| F5 | Inférieur à la moyenne |
| F6 | Mauvais                |

### Résolution des pannes :

- Vérifier que le câble est bien branché s'il n'y a aucun signal lorsque vous pédalez.



#### NOTE

- L'écran principal s'éteindra si l'entraînement est à l'arrêt pendant 4 minutes.
- Si l'ordinateur affiche des anomalies, débranchez l'alimentation électrique pendant 5 secondes avant de le rebrancher pour une remise à zéro.

## Nettoyage et maintenance

Cet équipement ne nécessite aucune maintenance spéciale. L'équipement n'a besoin d'aucune calibration après son assemblage, son utilisation et son entretien conformément aux instructions.



### AVERTISSEMENT

- Avant le nettoyage et la maintenance, retirez l'adaptateur.
  - N'utilisez aucun solvant pour nettoyer l'équipement.
- Nettoyez l'équipement avec un chiffon doux et absorbant après chaque usage.
  - Vérifiez régulièrement le serrage de tous les écrous et vis.
  - Si nécessaire, lubrifiez les joints.

## Défauts et dysfonctionnements

Malgré un contrôle continu de la qualité, des défauts ou des dysfonctionnements peuvent être occasionnés par des composants individuels. La plupart du temps, il vous suffit de remplacer la pièce défectueuse.

- Si l'équipement ne fonctionne pas correctement, contactez immédiatement le revendeur.
- Fournissez le numéro de modèle et le numéro de série de l'équipement au revendeur. Mentionnez la nature du problème, les conditions d'usage et la date d'achat.

## Transport et rangement



### AVERTISSEMENT

- – Avant le transport et le stockage, retirez l'adaptateur.
  - – Deux personnes au moins sont nécessaires pour transporter et déplacer l'équipement.
- En vous tenant devant l'équipement de chaque côté, saisissez fermement ses guidons. Levez l'avant de l'équipement pour que l'arrière repose sur les roues. Déplacez l'équipement et reposez-le prudemment. Placez l'équipement sur une base protectrice pour éviter d'endommager la surface du sol.
  - Déplacez prudemment l'équipement sur les surfaces irrégulières. Ne déplacez pas l'équipement sur ses roues pour monter des escaliers mais transportez-le par les guidons.

- Rangez l'équipement dans un endroit sec exposé à des variations de température minimales.

## Informations supplémentaires

### Élimination des emballages

Les réglementations gouvernementales nous demandent de réduire la quantité de matériaux déposés dans les décharges. C'est pour cela que nous faisons appel à votre responsabilité et vous demandons de déposer les emballages dans des centres de recyclage publics.

### Élimination du produit

Chez Tunturi, nous espérons que vous profiterez longtemps de votre appareil de fitness. Cependant, nous savons bien qu'un jour ou l'autre votre machine arrivera au terme de sa vie utile. Selon la directive européenne sur les DEEE, vous êtes responsable de vous séparer correctement de votre appareil de fitness en le déposant dans un site public agréé de récupération des déchets.

## Données techniques

| Paramètre               | Unité de mesure | Valeur |
|-------------------------|-----------------|--------|
| Longueur                | cm              | 124    |
|                         | inch            | 48.8   |
| Largeur                 | cm              | 55     |
|                         | inch            | 21.7   |
| Hauteur                 | cm              | 160    |
|                         | inch            | 63.0   |
| Poids                   | kg              | 40.0   |
|                         | lbs             | 88.2   |
| Poids maxi. utilisateur | kg              | 120    |
|                         | lbs             | 265    |
| Adaptateur              | V               | 9V-DC  |
|                         | Ma.             | 0.5A   |

## Garantie

---

### Garantie du propriétaire d'un équipement de Tunturi

#### Conditions de garantie

Le consommateur dispose des droits légaux accordés par la législation nationale applicable au commerce des produits de consommation courante et cette garantie ne limite ces droits en aucun cas. La « Garantie du propriétaire » est valable uniquement si l'équipement est utilisé dans l'environnement correspondant à celui déterminé par Tunturi New Fitness BV. L'environnement d'utilisation de chaque appareil est mentionné dans le mode d'emploi fourni avec l'appareil en question.

#### Conditions de garantie

Les conditions de garantie sont applicables à compter de la date d'achat et peuvent varier selon les pays. Demandez conseil à votre revendeur.

#### Étendue de la garantie

En aucun cas Tunturi New Fitness BV, le revendeur ou le distributeur Tunturi ne répondra des éventuels dommages spéciaux, indirects, secondaires ou consécutifs, de quelque nature que ce soit, liés à l'utilisation de ou à l'inaptitude à utiliser cet équipement.

#### Restrictions de garantie

La garantie couvre les défauts de fabrication et de matériaux dans un équipement d'origine, sorti d'usine et conditionné par Tunturi New Fitness BV. La garantie couvre uniquement les défauts apparaissant lors d'une utilisation normale et conforme aux instructions du manuel du propriétaire, à condition que les instructions de montage, de maintenance et d'utilisation établies par Tunturi New Fitness BV aient été respectées. Tunturi New Fitness BV et les revendeurs Tunturi ne répondent pas des défauts occasionnés par des conditions indépendantes de leur volonté. La garantie est applicable uniquement au premier acheteur et est valable uniquement dans les pays où Tunturi New Fitness BV dispose d'un distributeur agréé. La garantie ne s'étend pas aux équipements de fitness ou aux pièces qui ont été modifiées sans l'autorisation de Tunturi New Fitness BV. La garantie ne s'applique pas aux défauts provenant d'une usure normale, d'une utilisation inadaptée, d'une utilisation dans des conditions non prévues par le fabricant, de la corrosion ou d'un dommage intervenu lors du chargement ou du transport.

La garantie ne couvre pas les sons ou les bruits émis par l'équipement s'ils ne gênent pas son utilisation et s'ils ne sont pas provoqués par un dysfonctionnement. La garantie ne couvre pas non plus les mesures de maintenance, telles que le nettoyage, la lubrification ou la vérification normale des pièces, ni les actions que le client peut effectuer lui-même et qui n'exigent pas particulièrement de monter/ démonter l'équipement. Ces actions sont par exemple le changement des compteurs, des pédales ou autres pièces similaires faciles à changer. Seules les réparations sous garantie effectuées par un revendeur ou par le distributeur agréé Tunturi seront prises en charge. Le non-respect des instructions décrites dans le Manuel de l'Utilisateur entraînera l'annulation de la garantie.

## Déclaration du fabricant

---

Tunturi Fitness BV déclare que le produit est conforme aux directives et normes suivantes : EN 957 (HC), 89/336/CEE. Ce produit porte donc la marque CE.

07-2018

Tunturi New Fitness BV  
Purmerweg 1  
1311 XE Almere  
Pays-Bas

## Limite de responsabilité

---

© 2018 Tunturi New Fitness BV  
Tous les droits réservés.

Le produit et le manuel sont sujets à modifications. Les spécifications peuvent changer sans préavis.

## Nederlands

Deze Nederlandse handleiding is een vertaling van de Engelse tekst. Aan deze vertaling kunnen geen rechten ontleend worden. De originele Engelse tekst blijft leidend.

## Inhoud

|   |           |
|---|-----------|
| <b>Crosstrainer .....</b>               | <b>45</b> |
| <b>Veiligheidswaarschuwingen.....</b>   | <b>45</b> |
| Elektrische veiligheid                  | 46        |
| Beschrijving (fig. A)                   | 46        |
| Inhoud van de verpakking (fig. B & C)   | 46        |
| Assemblage (fig. D)                     | 46        |
| <b>Trainingen .....</b>                 | <b>46</b> |
| Instructies                             | 47        |
| <b>Gebruik.....</b>                     | <b>48</b> |
| Voeding (Fig. E-1)                      | 48        |
| <b>Console (fig F) .....</b>            | <b>48</b> |
| Uitleg van de weergavefuncties          | 48        |
| Werking van de knoppen                  | 49        |
| Bediening                               | 49        |
| Programma's                             | 50        |
| <b>Reiniging en onderhoud .....</b>     | <b>52</b> |
| Defecten en storingen                   | 53        |
| <b>Transport en opslag .....</b>        | <b>53</b> |
| Aanvullende informatie                  | 53        |
| <b>Technische gegevens .....</b>        | <b>53</b> |
| <b>Garantie .....</b>                   | <b>53</b> |
| <b>Verklaring van de fabrikant.....</b> | <b>54</b> |
| <b>Disclaimer .....</b>                 | <b>54</b> |

## Crosstrainer

Welkom in de wereld van Tunturi Fitness!  
Hartelijk dank voor uw aankoop van dit Tunturi-toestel. Tunturi biedt een grote verscheidenheid aan professionele toestellen zoals crosstrainers, loopbanden, fietstrainers, roeimachines en accessoires. Het Tunturi-toestel is geschikt voor de hele familie, onafhankelijk van de conditie. Meer informatie vindt u op de website [www.tunturi.com](http://www.tunturi.com)

## Veiligheidswaarschuwingen



### WAARSCHUWING

- Lees de veiligheid-waarschuwingen en de instructies. Het niet opvolgen van de veiligheid-waarschuwingen en de instructies kan persoonlijk letsel of beschadiging van het toestel veroorzaken. Bewaar de veiligheid-waarschuwingen en instructies voor toekomstig gebruik.



### WAARSCHUWING

- Hartslag-bewakingssystemen kunnen onnauwkeurig zijn. Overmatig trainen kan leiden tot ernstig letsel of de dood. Als u zich duizelig voelt, stop dan onmiddellijk met trainen.
- Het toestel is uitsluitend geschikt voor huishoudelijk gebruik. Het toestel is niet geschikt voor commercieel gebruik.
- Het maximum gebruik is beperkt tot 3 uur per dag
- Het gebruik van dit toestel door kinderen of personen met fysieke, sensorische, geestelijke of motorische handicaps, of met gebrek aan ervaring en kennis kan gevaar veroorzaken. De personen die verantwoordelijk zijn voor hun veiligheid moeten uitdrukkelijke instructies geven of toezicht houden op het gebruik van het toestel.
- Laat uw gezondheid door een arts controleren voordat u met uw training begint.
- Als u misselijkheid, duizeligheid of andere abnormale symptomen ervaart, stop dan onmiddellijk met uw training en raadpleeg een arts.
- Om spierpijn en te zware belasting te voorkomen, moet u elke training beginnen met een warming-up en eindigen met een cooling-down. Vergeet niet om uw spieren te strekken aan het einde van de training.
- Het toestel is uitsluitend geschikt voor gebruik binnenshuis. Het toestel is niet geschikt voor gebruik buitenshuis.
- Gebruik het toestel alleen in een omgeving met voldoende ventilatie. Gebruik het toestel niet in een tochtige omgeving om geen kou te vatten.
- Gebruik het toestel alleen in een omgeving met een omgevingstemperatuur tussen 10 °C en 35 °C. Berg het toestel alleen op bij een omgevingstemperatuur tussen 5 °C en 45 °C.
- Gebruik het toestel niet in een vochtige omgeving. Berg het toestel niet op in een vochtige omgeving. De luchtvochtigheid mag nooit meer zijn dan 80%.
- Gebruik het toestel alleen voor het doel waarvoor het gemaakt is. Gebruik het toestel niet voor andere doelstellingen dan beschreven in de handleiding.
- Gebruik het toestel niet als een onderdeel is beschadigd of niet goed werkt. Raadpleeg uw dealer als een onderdeel is beschadigd of niet goed werkt.

- Houd uw handen, voeten en andere lichaamsdelen uit de buurt van de bewegende delen.
- Houd uw haar uit de buurt van de bewegende delen.
- Draag geschikte kleding en schoenen.
- Houd kleding, sieraden en andere voorwerpen uit de buurt van de bewegende delen.
- Zorg ervoor dat het toestel slechts door één persoon tegelijk wordt gebruikt. Het toestel mag niet worden gebruikt door personen die meer dan 120 kg (265 lbs) wegen.
- Maak het toestel niet open zonder eerst uw dealer te raadplegen.

## Elektrische veiligheid

(Uitsluitend voor toestellen met elektrisch vermogen)

- Controleer voor gebruik altijd of de netspanning gelijk is aan de spanning op het typeplaatje van het toestel.
- Gebruik geen verlengsnoer.
- Houd het snoer uit de buurt van warmte, olie en scherpe randen.
- Verander of wijzig het snoer of de stekker niet.
- Gebruik het toestel niet als het snoer of de stekker beschadigd is of niet goed werkt. Als het snoer of de stekker is beschadigd of niet goed werkt, raadpleeg dan uw dealer.
- Rol het snoer altijd helemaal uit.
- Laat het snoer niet onder het toestel door lopen. Laat het snoer niet onder een kleed door lopen. Plaats geen voorwerpen op het snoer.
- Zorg ervoor dat het snoer niet over de rand van een tafel hangt. Zorg ervoor dat niemand per ongeluk achter het snoer kan blijven haken of erover kan struikelen.
- Laat het toestel niet onbewaakt achter wanneer de stekker in het stopcontact zit.
- Trek niet aan het snoer als u de stekker uit het stopcontact wilt halen.
- Verwijder de stekker uit het stopcontact wanneer het toestel niet in gebruik is, vóór montage of demontage en vóór reiniging en onderhoud.

## Beschrijving (fig. A)

Uw crosstrainer is een stationair fitness toestel dat wordt gebruikt voor het nabootsen van lopen of hardlopen zonder dat de gewrichten te veel belast worden.

## Inhoud van de verpakking (fig. B & C)

- De verpakking bevat de onderdelen zoals aangegeven in fig. B.
- De verpakking bevat de bevestigingsmiddelen zoals aangegeven in fig. C. Raadpleeg het gedeelte "Beschrijving".



### LET OP

- Raadpleeg uw dealer als een onderdeel ontbreekt.

## Assemblage (fig. D)



### WAARSCHUWING

- Monteer het apparaat in de aangegeven volgorde.
- Draag en verplaats het toestel met minstens twee personen.



### VOORZICHTIG

- Zet het toestel op een stevige, vlakke ondergrond.
- Zorg voor een beschermende laag onder het toestel om schade aan het vloeroppervlak te voorkomen.
- Houd rondom de apparatuur ten minste een bewegingsruimte van 100 cm.

- Raadpleeg de illustraties voor de juiste assemblage van het toestel.



### LET OP

- Bewaar, nadat u het apparaat in elkaar hebt gezet, het gereedschap dat bij dit product is geleverd. Dit met het oog op service op een later tijdstip.

## Trainingen

De training moet licht genoeg zijn, maar wel langdurig. Aerobische training is gebaseerd op verbetering van de maximale zuurstofopname van het lichaam, die dan het uithoudingsvermogen en de conditie weer verbetert. U moet tijdens de training wel transpireren, maar u mag niet buiten adem raken.

Voor het bereiken en in stand houden van een basisconditie moet u minstens drie keer per week steeds 30 minuten trainen. Verhoog het aantal trainingssessies ter verbetering van uw conditie. Het is

de moeite waard om regelmatige lichaamsbeweging met gezonde voeding te combineren. Iemand die zich goed aan een dieet houdt, zou elke dag moeten trainen te beginnen met 30 minuten of korter, en de dagelijkse trainingsduur geleidelijk opvoeren tot één uur. Begin uw training bij een lage snelheid en een lage weerstand om te voorkomen dat uw hart en bloedvaten te sterk belast worden. Naarmate uw conditie verbetert, kunnen snelheid en weerstand geleidelijk worden verhoogd. De doelmatigheid van uw training kan worden gemeten door uw hartslag.

## Instructies

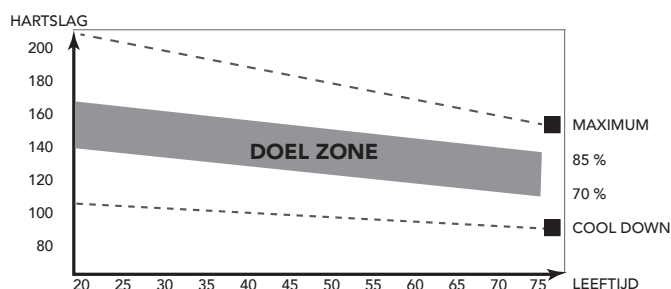
Het gebruik van dit fitness apparaat biedt meerdere voordelen: u verbetert uw fysieke conditie, u versterkt uw spieren en u valt in combinatie met een caloriearm dieet af.

### De warming-up

In deze fase wordt uw bloedsomloop gestimuleerd voor een juiste werking van de spieren. Tevens wordt het risico op kramp en spier-letsel verminderd. Wij raden u aan enkele stretch oefeningen te doen, zoals hieronder beschreven. Houd elke stretch oefening ongeveer 30 seconden vol. Forceer uw spieren niet bij het stretchen. STOP als het pijn doet

### De training fase

Dit is de fase waarin u de meeste inspanning levert. Na regelmatig gebruik worden de spieren in uw benen flexibeler. Het is in deze fase zeer belangrijk dat u een gelijkmatig tempo aanhoudt. De snelheid moet voldoende zijn om uw hartslag te laten stijgen naar de doel zone die in de onderstaande grafiek te zien is.



Deze fase moet minimaal 12 minuten duren, maar de meeste mensen beginnen met ongeveer 15-20 minuten.

### De cooling down

In deze fase ontspant u uw cardiovasculaire systeem en spieren. Dit is een herhaling van de warming-up training. Verlaag dus uw tempo en ga ongeveer 5 minuten door. Herhaal nu de stretch-oefeningen. Forceer uw spieren niet tijdens het stretchen. Naarmate u fitter wordt, moet u langer en harder trainen. Het is raadzaam minstens drie keer per week te trainen en zo nodig uw oefeningen gelijkmatig over de week te verspreiden.

## Spierversteviging

Als u uw spieren wilt verstevigen met behulp van dit fitnessapparaat, stelt u de weerstand in op hoog. Zo komt er meer spanning op uw beenspieren. Mogelijk kunt u niet zo lang trainen als u zou willen. Als u ook uw conditie wilt verbeteren, moet u het trainingsprogramma aanpassen. Tijdens de warming-up en cooling-down traint u zoals normaal, maar tegen het eind van de trainingsfase verhoogt u de weerstand zodat uw benen harder moeten werken. Verlaag hierbij de snelheid zodat uw hartslag in de doelzone blijft.

## Gewichtverlies

Hierbij is het van belang hoeveel inspanning u levert. Hoe harder en langer u werkt, hoe meer calorieën u verbrandt. In feite is dit hetzelfde als wanneer u zou trainen om uw conditie te verbeteren. Het doel is alleen anders.

## Hartslagmeting (handgreepsensoren)

De hartslag wordt gemeten door sensoren in de handgrepen wanneer de gebruiker beide sensoren tegelijkertijd aanraakt. Voor de meest nauwkeurige hartslagmeting moet de huid enigszins vochtig zijn en moet u de handgreepsensoren voortdurend aanraken. Bij een te droge of te vochtige huid kan de hartslagmeting minder nauwkeurig worden.



### LET OP

- Gebruik de handgreepsensoren niet in combinatie met een hartslagborstband.
- Als u een hartslag-limiet hebt ingesteld voor uw training, klinkt er een alarm wanneer deze wordt overschreden.

## Maximale hartslag (tijdens de training)

De maximale hartslag is de hoogste hartslag die iemand veilig kan bereiken door de belasting van de training. De volgende formule wordt gebruikt voor het berekenen van de gemiddelde maximale hartslag:  $220 - \text{LEEFTIJD}$ . De maximale hartslag varieert van persoon tot persoon.



### WAARSCHUWING

- Zorg ervoor dat u tijdens uw training niet boven uw maximale hartslag komt. Als u bij een risicogroep hoort, moet u een arts raadplegen.

## Beginner 50-60% van de maximale hartslag

Geschikt voor beginners, mensen die willen afvallen, herstellende patiënten en personen die lange tijd niet getraind hebben. Train minstens drie keer per week, 30 minuten per keer.

### Gevorderd 60-70% van de maximale hartslag

Geschikt voor personen die hun conditie willen verbeteren en in stand houden. Train minstens drie keer per week, 30 minuten per keer.

### Expert 70-80% van de maximale hartslag

Geschikt voor de fitste personen die gewend zijn aan langdurige duurtraining.

## Gebruik

### Afstellen van de steunvoeten

Het toestel is voorzien van 4 steunvoeten. Als het toestel niet stabiel is, kunnen de steunvoeten worden versteld.

- Draai de steunvoeten zo ver in of uit als nodig is om het toestel in een stabiele positie te krijgen.
- Draai de borgmoeren vast om de steunvoeten te vergrendelen.



#### LET OP

- Het toestel is het meest stabiel wanneer alle steunvoeten volledig zijn ingedraaid. Nivelleer het toestel eerst door alle steunvoeten volledig in te draaien alvorens de nodige steunvoeten uit te draaien om het toestel te stabiliseren.

### De positie van de pedalen aanpassen

Beide pedalen kunnen worden aangepast aan de lengte en de trainingspositie van de gebruiker.

- Draai de twee bevestigingsknoppen van de pedalen los.
- Plaats de pedalen in de gewenste positie.
- Draai de bevestigingsknoppen vast.



#### LET OP

- Zorg ervoor dat beide pedalen altijd op gelijke hoogte worden bevestigd.

## Voeding (Fig. E-1)

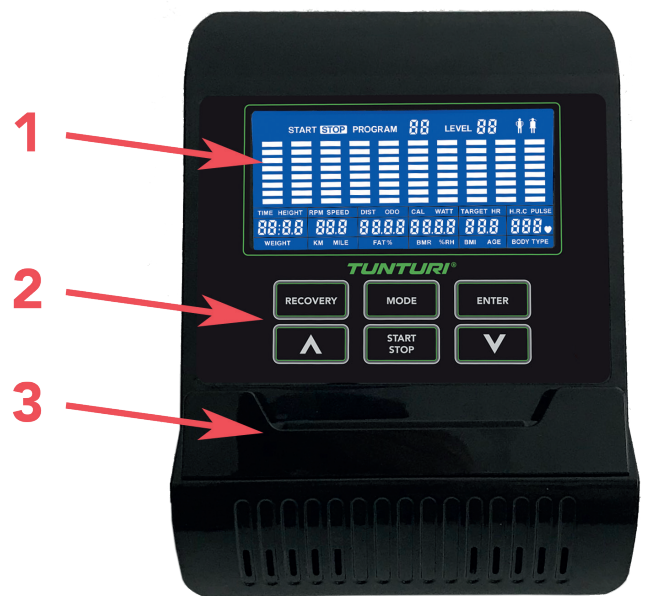
De trainer werkt op stroom van een extern voedingsnet. Op de illustratie wordt de plaats van de aansluiting op de trainer weergegeven.



#### LET OP

- Sluit de adapter eerst aan op de trainer voordat u deze aansluit op de wandcontactdoos.
- Verwijder altijd de stroomkabel wanneer de trainer niet in gebruik is.

## Console (fig F)



1. Display
2. Knoppen
3. Steun voor tablet/boek



### VOORZICHTIG

- Houd de console uit de buurt van direct zonlicht.
- Droog het oppervlak van de console wanneer het met zweetdruppels is bedekt.
- Leun niet op de console.
- Raak de display alleen met uw vingertop aan. Raak de display niet aan met uw nagels of een scherp voorwerp.



#### LET OP

- De console gaat naar standby wanneer het toestel gedurende 4 minuten niet wordt gebruikt.

## Uitleg van de weergavefuncties

### Time (Tijd)

- Wanneer u geen doelwaarde instelt, wordt de tijd opgeteld.
- Wanneer u wel een doelwaarde instelt, wordt de tijd terug geteld vanaf de doelwaarde. Zodra het aantal op 0 komt, hoort u een alarm of gaat het display knipperen. De tijd wordt verder opgeteld als u niet stopt met trainen nadat het doel is bereikt.
- Bereik: 0:00 ~ 99:59

### Speed

- Hier ziet u de huidige snelheid.
- Bereik: 0.0 ~ 99.99 KM/H



- Wanneer tijdens de workout gedurende 3 seconden geen signaal naar de monitor wordt verzonden, staat SPEED op '0.0'.

### RPM

- Weergave van de rotaties per minuut
- Bereik: 0~20~999..
- Wanneer tijdens de workout gedurende 3 seconden geen signaal naar de monitor wordt verzonden, staat RPM op '0'.

### Distance (Afstand)

- Wanneer u geen doelwaarde instelt, wordt de afstand opgeteld.
  - Wanneer u wel een doelwaarde instelt, wordt de afstand terug geteld vanaf de doelwaarde. Zodra het aantal op 0 komt, hoort u een alarm of gaat het display knipperen.
- Bereik: 0.00 ~ 99.99

### Odo

- Telt automatisch de totale afstand op van alle trainingssessies.
- Bereik: 0.0 ~ 99.99 KM/ 0.00 ~ 9999 KM.

### Calories

- Wanneer u geen doelwaarde instelt, wordt het aantal verbruikte calorieën opgeteld.
- Wanneer u wel een doelwaarde instelt, wordt het aantal calorieën terug geteld vanaf de doelwaarde. Zodra het aantal op 0 komt, hoort u een alarm of gaat het display knipperen.
- Bereik 0~999.9



### LET OP

- Deze gegevens zijn een richtlijn voor de vergelijking van verschillende trainingssessies en kunnen niet voor medische behandelingen worden gebruikt.

### Watt

- Weergave van het huidige training-weerstand vermogen (watt)
- Bereik: 0.0 ~ 999.9 Watt.

### Target HR

- Geeft de doelhartslag van de gebruiker weer (Alleen in de trainingsmodus)
- Gebaseerd op 70% van max. HR (220-Leeftijd)

### Age

- Geef de leeftijd van de gebruiker weer. (Alleen in programmeer modus)
- Bereik: 10 ~ 99

### Pulse

- Wanneer uw hartslag door de console wordt geregistreerd, ziet u na 6 seconden uw huidige hartslag.
- Wanneer gedurende 6 seconden geen hartslagsignaal wordt geregistreerd, wordt 'P' weergegeven.

- U hoort een hartslagalarm als uw huidige hartslag de ingestelde hartslag overschrijdt.
- Bereik: 0-60 ~ 220 BPM.

### Level

- Toont de instelling van het weerstand nivo.
- Bereik: 1 ~ 24

### Program

- Geeft huidig geselecteerde trainingmodus weer.
- Bereik: 1 ~ 19

## Werking van de knoppen

---

### Pijltoets omhoog

- Verhoog de weerstand waarde tijdens training.
- In de programmeer modus kunt u door programma's scrollen en waarden wijzigen.

### Pijltoets omlaag

- Verlaag de weerstand waarde tijdens training.
- In de programmeer modus kunt u door programma's scrollen en waarden wijzigen.

### Mode

- Druk op de toets MODE om in de multi display vensters te schakelen tussen de verschillende parameters. (in training modus.)

### Enter

- Druk op de toets ENTER om een functie te kiezen/ waarde-invoer te bevestigen.

### Start/ Stop

- Start of Stop (pauzeer) training.
- Houd de toets "START/ STOP" 3 seconden ingedrukt om alle functies te resetten: Time, Speed, Distance, Calories, Pulse & Program.

### Recovery

- Nadat de console het pulse-sigitaal registreert, drukt u op de toets RECOVERY om de modus te activeren waarin u uw hartslagherstel kunt volgen

## Bediening

---

### Inschakelen

- Steek de stekker in het stopcontact. De computer start op en toont gedurende 2 seconden alle onderdelen op het LCD-scherm.
- Wanneer het apparaat zich in de slaapmodus bevindt, drukt u op een willekeurige toets op de console om het apparaat in te schakelen.
- U kunt ook gaan fietsen om het apparaat te activeren.

## Uitschakelen

Wanneer gedurende 4 minuten geen signaal naar de monitor wordt verzonden, schakelt het apparaat automatisch naar de slaapmodus.

## Programma's

*Programma's (fig. - F-01~F19)*

### Quick start (Snel starten) (Program 1)

- Druk op de toets START/STOP om uw workout te beginnen zonder vooraf geprogrammeerde instellingen.
- Met OMHOOG/ OMLAAG kunt u tijdens de workout het weerstandsniveau aanpassen.

### De workout stoppen

- Druk in de workoutmodus op START/ STOP om uw workout te stoppen of te pauzeren. U hervat de workout door in de pauzmodus op START/ STOP te drukken.
- Houd de toets START/ STOP ruim 2 seconden ingedrukt om de console te resetten. (Gegevens van de actieve training gaan verloren.)

### Program mode (Program 1~9)

- Gebruik de OMHOOG/ OMLAAG toetsen voor het selecteren van programma 1 ~ 9 en druk ENTER toets om te bevestigen.
- Gebruik de OMHOOG/ OMLAAG toetsen voor het instellen van de trainingstijd. TIME, Bereik: 0:00 - 5:00 ~ 99:00 ±1:00 druk MODE toets om te bevestigen.
- Gebruik de OMHOOG/ OMLAAG toetsen voor het instellen van de training afstand. DISTANCE, Bereik: 00.00 - 00.10 ~ 99.90 ± 00.10 druk MODE toets om te bevestigen.
- Gebruik de OMHOOG/ OMLAAG toetsen voor het instellen van de Calorie doelstelling. CALORIES, Bereik: 0.0 - 1.0 ~ 999.0 ± 1.0 druk MODE toets om te bevestigen.
- Gebruik de OMHOOG/ OMLAAG toetsen voor het instellen van de leeftijd. (Age) Bereik: 10 ~ 99 ± 1 druk MODE toets om te bevestigen.



#### LET OP

- Wanneer u meer dan één doel instelt, stopt de training na het eerste bereikte doel.
- Zet de training voort door op START/ STOP knop te drukken, de training zal dan op het eerst volgend ingestelde behaalde doel stoppen.
- Een leeg doel wordt niet beschouwd als een vooraf ingestelde limiet.
- Ingestelde Pulse limiet (Target HR) heeft enkel een visuele functie, de pulse informatie zal knipperen als deze boven ingestelde bovengrens is.

- Druk op de toets START/ STOP om uw training te beginnen
- Met OMHOOG/ OMLAAG kunt u het weerstandsniveau aanpassen.
- Het weerstand niveau wordt in het venster LEVEL weergegeven.
- Houd de toets START/ STOP 2 seconden ingedrukt om alle functies te resetten: Time, Speed, Distance, Calories, Pulse & Program. (De training resultaten worden gewist)

### Program mode (Program 10)

- Gebruik de OMHOOG/ OMLAAG toetsen voor het selecteren van programma 10 en druk ENTER toets om te bevestigen.
- Gebruik de OMHOOG/ OMLAAG toetsen voor het instellen van de trainingstijd. TIME, Bereik: 0:00 - 5:00 ~ 99:00 ±1:00 druk MODE toets om te bevestigen.
- Gebruik de OMHOOG/ OMLAAG toetsen voor het instellen van de training afstand. DISTANCE, Bereik: 00.00 - 00.10 ~ 99.90 ± 00.10 druk MODE toets om te bevestigen.
- Gebruik de OMHOOG/ OMLAAG toetsen voor het instellen van de Calorie doelstelling. CALORIES, Bereik: 0.0 - 1.0 ~ 999.0 ± 1.0 druk MODE toets om te bevestigen.
- Gebruik de OMHOOG/ OMLAAG toetsen voor het instellen van de Calorie doelstelling. WATT, Bereik: 20 ~ 300 ± 10 druk MODE toets om te bevestigen.
- Gebruik de OMHOOG/ OMLAAG toetsen voor het instellen van de leeftijd. (Age) Bereik: 10 ~ 99 ± 1 druk MODE toets om te bevestigen.



#### LET OP

- Wanneer u meer dan één doel instelt, stopt de training na het eerste bereikte doel.
- Zet de training voort door op START/ STOP knop te drukken, de training zal dan op het eerst volgend ingestelde behaalde doel stoppen.
- Een leeg doel wordt niet beschouwd als een vooraf ingestelde limiet.

- Druk op de toets START/ STOP om uw training te beginnen
- Met OMHOOG/ OMLAAG kunt u het weerstandsniveau aanpassen.
- Het weerstand niveau wordt in het venster LEVEL weergegeven.
- Houd de toets START/ STOP 2 seconden ingedrukt om alle functies te resetten: Time, Speed, Distance, Calories, Pulse & Program. (De training resultaten worden gewist)

### Body Fat (Program 11)

- Gebruik de OMHOOG/ OMLAAG toetsen voor het selecteren van programma 11 en druk ENTER toets om te bevestigen.

- Gebruik de OMHOOG/ OMLAAG toetsen voor het instellen van het geslacht,  
Bereik: Man/ Vrouw  
druk MODE toets om te bevestigen.
- Gebruik de OMHOOG/ OMLAAG toetsen voor het instellen van het gebruikers lengte (HEIGHT) ,  
Bereik: 110.0 ~ 199.5 cm  $\pm$  0.5  
druk MODE toets om te bevestigen.
- Gebruik de OMHOOG/ OMLAAG toetsen voor het instellen van het gebruikers gewicht (WEIGHT) ,  
Bereik: 10.0 ~ 200.0 kg  $\pm$  0.2  
druk MODE toets om te bevestigen.
- Gebruik de OMHOOG/ OMLAAG toetsen voor het instellen van de gebruikers leeftijd. (AGE)  
Bereik: 10 ~ 99  $\pm$  1  
druk MODE toets om te bevestigen.  
Druk op de toets START/ STOP om te beginnen met de meting van het lichaam vetpercentage.
- Tijdens de meting moet de gebruiker met beide handen de handpulse handgrepen vasthouden. Op het LCD-display wordt gedurende 15 seconden " - - - - " weergegeven totdat de computer de meting heeft afgerond.
- Op het LCD-display toont resultaat voor: FAT%, BMR, BMI & BODY TYPE:



### OPMERKING

- Voor deze functie moet het gebruikersprofiel correct zijn ingesteld.

| Man |               | Vrouw |               |
|-----|---------------|-------|---------------|
| 1   | 7%~ 9.9%      | 1     | 14%~16.9%     |
| 2   | 10% to 12.9%. | 2     | 17% to 19.9%. |
| 3   | 13% to 16.9%. | 3     | 20% to 23.9%. |
| 4   | 17% to 19.9%. | 4     | 24% to 26.9%  |
| 5   | 20% to 24.9%. | 5     | 27% to 29.9%. |
| 6   | 25%. Up       | 6     | 30%. Up       |

(Body type resultaat tabel)

### Modus H.R.C. (Program 12)

- Gebruik de OMHOOG/ OMLAAG toetsen voor het selecteren van programma 12 en druk ENTER toets om te bevestigen.
- Gebruik de OMHOOG/ OMLAAG toetsen voor het instellen van de trainingstijd. (TIME),  
Bereik: 0:00 - 5:00 ~ 99:00  $\pm$  1:00  
druk MODE toets om te bevestigen.
- Gebruik de OMHOOG/ OMLAAG toetsen voor het instellen van de training afstand. (DISTANCE),  
Bereik: 00.00 - 00.10 ~ 99.90  $\pm$  00.10  
druk MODE toets om te bevestigen.

- Gebruik de OMHOOG/ OMLAAG toetsen voor het instellen van de Calorie doelstelling. (CALORIES),  
Bereik: 0.0 - 1.0 ~ 999.0  $\pm$  1.0  
druk MODE toets om te bevestigen.
- Gebruik de OMHOOG/ OMLAAG toetsen voor het instellen van de hartslag bovengrens. (TARGET HR)  
Bereik: 0 - 72 ~ 240  $\pm$  1  
druk MODE toets om te bevestigen.



### LET OP

- Wanneer u meer dan één doel instelt, stopt de training na het eerste bereikte doel.
- Zet de training voort door op START/ STOP knop te drukken, de training zal dan op het eerst volgend ingestelde behaalde doel stoppen.
- Een leeg doel wordt niet beschouwd als een vooraf ingestelde limiet.
- Ingestelde hartslag bovengrens vertaalt zich in een weerstand controle functie.  
Weerstand wordt automatisch verhoogt als de hartslag onder ingestelde boven grens is.  
Weerstand wordt automatisch verlaagt als de hartslag boven de ingestelde boven grens is.
- Druk op de toets START/STOP om uw training te beginnen
- Met OMHOOG/ OMLAAG kunt u het weerstandsniveau aanpassen.
- Het weerstand niveau wordt in het venster LEVEL weergegeven.
- Houd de toets START/ STOP 2 seconden ingedrukt om alle functies te resetten: Time, Speed, Distance, Calories, Pulse & Program.  
(De training resultaten worden gewist)

### H.R.C. mode. (Program 13~15)

- Gebruik de OMHOOG/ OMLAAG toetsen voor het selecteren van programma 13~15  
P13= 60% 60% van (220-Leeftijd)  
P14= 75% 75% van (220-Leeftijd)  
P14= 85% 85% van (220-Leeftijd)  
en druk ENTER toets om te bevestigen.
- Gebruik de OMHOOG/ OMLAAG toetsen voor het instellen van de trainingstijd. (TIME),  
Bereik: 0:00 - 5:00 ~ 99:00  $\pm$  1:00  
druk MODE toets om te bevestigen.
- Gebruik de OMHOOG/ OMLAAG toetsen voor het instellen van de training afstand. (DISTANCE),  
Bereik: 00.00 - 00.10 ~ 99.90  $\pm$  00.10  
druk MODE toets om te bevestigen.
- Gebruik de OMHOOG/ OMLAAG toetsen voor het instellen van de Calorie doelstelling. (CALORIES),  
Bereik: 0.0 - 1.0 ~ 999.0  $\pm$  1.0  
druk MODE toets om te bevestigen.
- Gebruik de OMHOOG/ OMLAAG toetsen voor het instellen van de gebruikers leeftijd. (AGE)  
Bereik: 10 ~ 99  $\pm$  1  
druk MODE toets om te bevestigen.

**LET OP**

- Wanneer u meer dan één doel instelt, stopt de training na het eerste bereikte doel.
- Zet de training voort door op START/ STOP knop te drukken, de training zal dan op het eerst volgend ingestelde behaalde doel stoppen.
- Een leeg doel wordt niet beschouwd als een vooraf ingestelde limiet.
- Ingestelde hartslag bovengrens vertaalt zich in een weerstand controle functie.  
Weerstand wordt automatisch verhoogt als de hartslag onder ingestelde boven grens is.  
Weerstand wordt automatisch verlaagt als de hartslag boven de ingestelde boven grens is.

- Druk op de toets START/STOP om uw training te beginnen
- Met OMHOOG/ OMLAAG kunt u het weerstandsniveau aanpassen.
- Het weerstand niveau wordt in het venster LEVEL weergegeven.
- Houd de toets START/ STOP 2 seconden ingedrukt om alle functies te resetten: Time, Speed, Distance, Calories, Pulse & Program.  
(De training resultaten worden gewist)

**Gebruikers programma (P16 ~ P19)**

- Gebruik de OMHOOG/ OMLAAG toetsen voor het instellen van de trainingstijd. (TIME),  
Bereik: 0:00 - 5:00 ~ 99:00 ±1:00  
druk MODE toets om te bevestigen.
- Gebruik de OMHOOG/ OMLAAG toetsen voor het instellen van de training afstand. (DISTANCE),  
Bereik: 00.00 - 00.10 ~ 99.90 ± 00.10  
druk MODE toets om te bevestigen.
- Gebruik de OMHOOG/ OMLAAG toetsen voor het instellen van de Calorie doelstelling. (CALORIES),  
Bereik: 0.0 - 1.0 ~ 999.0 ± 1.0  
druk MODE toets om te bevestigen.
- Gebruik de OMHOOG/ OMLAAG toetsen voor het instellen van de gebruikers leeftijd. (AGE)  
Bereik: 10 ~ 99 ± 1  
druk MODE toets om te bevestigen.
- Stel spanningsniveau in voor de eerste, van de 10, kolommen en bevestig met MODE om het tweede niveau in te stellen, herhaal dit voor alle kolommen.
- Druk op de toets START/STOP om uw training te beginnen
- Met OMHOOG/ OMLAAG kunt u het weerstandsniveau aanpassen.
- Het weerstand niveau wordt in het venster LEVEL weergegeven.
- Houd de toets START/ STOP 2 seconden ingedrukt om alle functies te resetten: Time, Speed, Distance, Calories, Pulse & Program.  
(De training resultaten worden gewist, maar programma profiel wordt opgeslagen)

**Recovery**

- De toets RECOVERY werkt alleen als een hartslag wordt geregistreerd.
- Bij TIME wordt '0:60' (seconden) weergegeven; er wordt terug geteld naar 0.
- Na het aftellen wordt het resultaat van de hartslag herstel test op de computer middels F1 tot en met F6 weergegeven. De gebruiker kan het hartslag herstel-niveau vinden in de onderstaande tabel
- Druk opnieuw op de toets RECOVERY om terug te keren naar het begin.

|    |                      |
|----|----------------------|
| F1 | Voortreffelijk       |
| F2 | Uitstekend           |
| F3 | Goed                 |
| F4 | Normaal              |
| F5 | Onder het gemiddelde |
| F6 | Slecht               |

**Problemen oplossen**

- Als er geen signaal is wanneer u fietst, controleer dan of de kabel goed is aangesloten.

**LET OP**

- Wanneer u gedurende 4 minuten stopt met de training, wordt het hoofdscherm uitgeschakeld.
- Als de computer weergave niet correct is, haalt u de stekker 5 seconden uit het stopcontact zodat u een algehele reset uitvoert.

**Reiniging en onderhoud**

Het toestel vereist geen speciaal onderhoud. Het toestel behoeft geen kalibratie wanneer het wordt geassembleerd, gebruikt en onderhouden overeenkomstig de instructies.

**WAARSCHUWING**

- Verwijder voor reiniging of onderhoud de adapter.
- Gebruik geen oplosmiddelen om het toestel te reinigen.
- Reinig het toestel na elk gebruik met een zachte absorberende doek.
- Controleer regelmatig of alle schroeven en moeren goed vast zitten.
- Smeer indien nodig de draaipunten.

## Defecten en storingsen

Ondanks voortdurende kwaliteitscontrole kan het gebeuren dat het toestel door individuele onderdelen defect is of niet goed werkt. In de meeste gevallen zal het voldoende zijn om het defecte onderdeel te vervangen.

- Als het toestel niet goed werkt, neem dan onmiddellijk contact op met de dealer.
- Geef het modelnummer en serienummer van het toestel op aan de dealer. Vertel wat de aard van het probleem is, hoe het toestel wordt gebruikt en wanneer u het toestel heeft gekocht.

## Transport en opslag



### WAARSCHUWING

- Verwijder voor transport en opslag de adapter.
- Draag en verplaats het toestel met minstens twee personen.
- Blijf aan weerskanten aan de voorkant van het toestel staan en pak de handgrepen stevig vast. Til de voorkant van het toestel op zodat de achterkant van het toestel op de wielen komt te rusten. Verplaats het toestel en zet het voorzichtig neer. Zorg voor een beschermende laag onder het toestel om schade aan het vloeroppervlak te voorkomen.
- Verplaats het toestel voorzichtig over een ongelijke ondergrond. Breng het toestel niet met behulp van de wielen naar boven, maar draag het toestel bij de handgrepen.
- Berg het toestel op een droge plaats op met zo weinig mogelijk temperatuurwisselingen.

## Aanvullende informatie

### Afvoeren van verpakkingsmateriaal

Overheids-richtlijnen geven aan dat we de hoeveelheid afvalmateriaal afgevoerd naar stortplaatsen moeten verminderen. Daarom vragen we u al het afvalmateriaal op verantwoordelijke wijze af te voeren naar openbare recycling-centra.

### Verrwijdering aan het eind van de levensduur.

We hopen dat u jarenlang plezier hebt van uw fitnessapparaat. Er komt echter een moment waarop het fitnessapparaat het eind van de bruikbare levensduur heeft bereikt. Onder de Europese AEEA-wetgeving bent u verantwoordelijk voor het op de juiste wijze afvoeren van uw fitnessapparaat naar een erkend openbaar inzamelpunt.

## Technische gegevens

| Parameter                      | Meeteenheid | Waarde        |
|--------------------------------|-------------|---------------|
| Lengte                         | cm<br>inch  | 124<br>48.8   |
| Breedte                        | cm<br>inch  | 55<br>21.7    |
| Hoogte                         | cm<br>inch  | 160<br>63.0   |
| Gewicht                        | kg<br>lbs   | 40.0<br>88.2  |
| Max. gewicht gebruiker         | kg<br>lbs   | 120<br>265    |
| Adapter<br>Spanning<br>Sterkte | V<br>Ma.    | 9V-DC<br>0.5A |

## Garantie

### Garantie voor eigenaars van Tunturi trainingsapparatuur

#### Garantievoorwaarden

De consument ontleent wettelijke rechten aan de van toepassing zijnde nationale wetgeving aangaande de handel in consumentengoederen en de garantie zal deze rechten niet beperken.

De "Garantie voor de Eigenaar" geldt alleen dan wanneer het toestel wordt gebruikt in de door Tunturi New Fitness BV voor dat toestel toegestane gebruiksomgeving. Voor elk toestel wordt de toegestane gebruiksomgeving beschreven in de gebruiksaanwijzing van het toestel.

#### Garantievoorwaarden

De garantievoorwaarden gaan in vanaf de datum van aankoop. Deze kunnen per land verschillen. Vraag in de winkel bij u in de buurt naar de garantievoorwaarden.

### **Garantiedekking**

In geen enkele omstandigheid zal Tunturi New Fitness BV of een wederverkoper van Tunturi aansprakelijk zijn voor eventuele indirecte schade geleden door de koper, zoals verlies van gebruiksnuut of inkomstenderving of andere indirecte economische gevolgen.

### **Garantiebeperkingen**

De garantie dekt defecten van het toestel die het gevolg zijn van materiaalfouten of onjuist uitgevoerd werk, mits het toestel zijn originele samenstelling heeft. De garantie betreft alleen defecten die blijken tijdens normaal gebruik overeenkomstig de meegeleverde gebruiksaanwijzing, mits de montage-, onderhouds- en gebruiksaanwijzingen van Tunturi zijn opgevolgd. Tunturi New Fitness BV en zijn wederverkopers zijn niet aansprakelijk voor defecten tengevolge van factoren waarop zij geen invloed kunnen uitoefenen. De garantie betreft alleen de eerste eigenaar van het toestel en is alleen geldig in landen waar een geautoriseerde importeur van Tunturi New Fitness BV is gevestigd. De garantie betreft geen trainingstoestellen of onderdelen die zijn gewijzigd zonder toestemming van Tunturi New Fitness BV. De garantie dekt geen defecten tengevolge van normale slijtage, onjuist gebruik, gebruik in omstandigheden waarvoor het toestel niet is bedoeld, corrosie of schade ontstaan tijdens laden of transport. De garantie geldt niet voor geluiden die ontstaan door het gebruik, als ze het gebruik van het apparaat niet wezenlijk belemmeren en niet veroorzaakt zijn door een defect aan het apparaat.

De garantie omvat ook geen onderhoudsmaatregelen, zoals reiniging, smering of normale inspectie van onderdelen, noch dergelijke montagewerkzaamheden die de klant zelf kan uitvoeren en die geen speciale demontage en montage van het toestel vereisen. Dit soort maatregelen zijn bijv. vervanging van monitoren, pedalen of andere vergelijkbare eenvoudige onderdelen. Garantieherstel dat is uitgevoerd door een ander dan de geautoriseerde Tunturi-vertegenwoordiger wordt niet vergoed. De garantie geldt alleen voor normaal, voorgeschreven gebruik van het product zoals beschreven in de handleiding.

## **Verklaring van de fabrikant**

---

Tunturi New Fitness BV verklaart dat het product voldoet aan de volgende normen en richtlijnen: EN 957 (HC), 89/336/EEG. Het product is derhalve voorzien van het CE-label.

07-2018

Tunturi New Fitness BV  
Purmerweg 1  
1311 XE Almere  
The Netherlands

## **Disclaimer**

---

© 2018 Tunturi New Fitness BV  
Alle rechten voorbehouden.

Het product en de handleiding zijn aan veranderingen onderhevig. Specificaties kunnen zonder verdere kennisgeving worden veranderd.

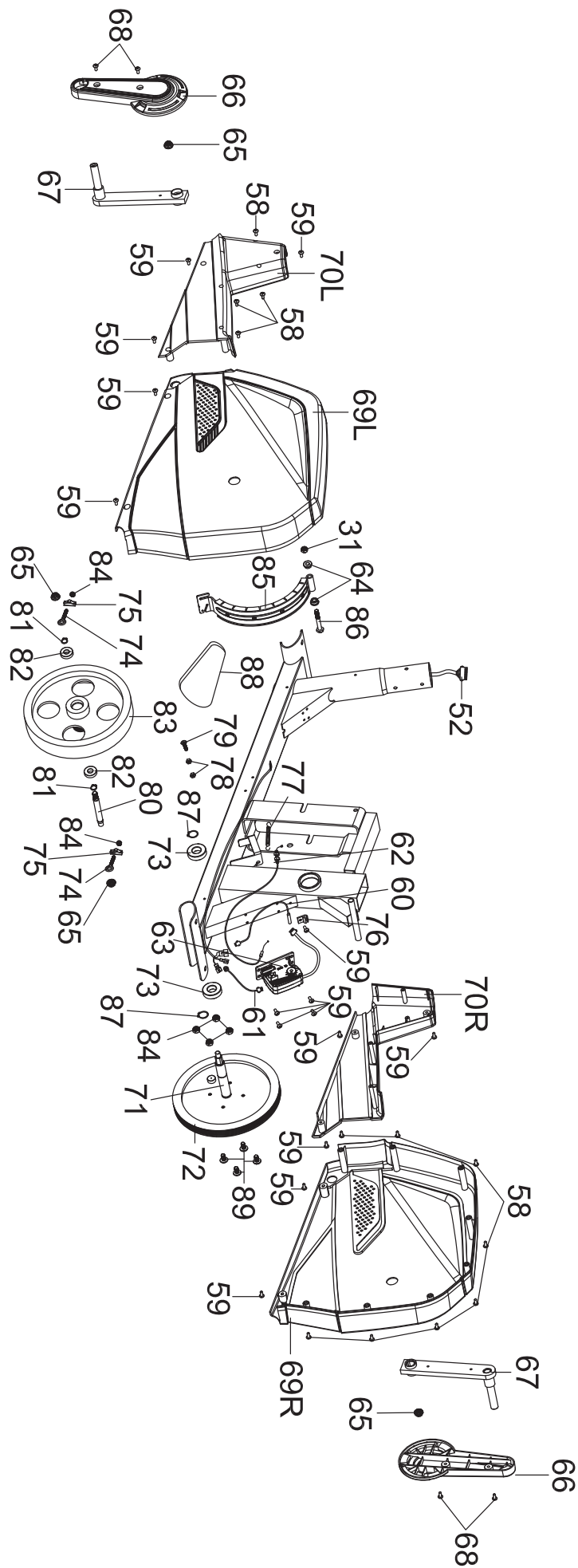
| #    | Description                | Specs      | Qty    |
|------|----------------------------|------------|--------|
| 1    | Main frame                 |            | 1      |
| 2    | Rear stabilizer            |            | 1      |
| 3    | Curve washer               | Ø8*Ø20*1.5 | 12     |
| 4    | Allen screw                | M8*55      | 4      |
| 5    | End cap for stabilizer     |            | 4      |
| 6    | Hex head bolt              | M8*45      | 4      |
| 7    | Pedal L                    |            | 1      |
| 8    | Pedal tube L               |            | 1      |
| 9    | Flat washer                | Ø32*Ø10    | 2      |
| 10   | Flat washer                | Ø8*Ø25     | 2      |
| 11   | Hex head bolt              | M10*20     | 2      |
| 12   | Hex head bolt              | M8*20      | 2      |
| 13   | Club knob                  |            | 4      |
| 14   | Sleeve                     | Ø12.7*65   | 2      |
| 15   | Hex head bolt              | M10*78     | 2      |
| 16   | Spring washer              | Ø8         | 10     |
| 17   | Flat washer                | Ø22*Ø10    | 2      |
| 18   | Nylon nut                  | M10        | 2      |
| 19   | Leveling pad               |            | 4      |
| 20   | Front stabilizer           |            | 1      |
| 21   | Wheel                      |            | 2      |
| 22   | Cover for bottom handlebar |            | 2 Sets |
| 23   | Plastic spacer             |            | 2      |
| 24   | Allen screw                | M8*16      | 8      |
| 25   | Sleeve                     |            | 4      |
| 26   | Bottom handlebar L         |            | 1      |
| 27   | Sleeve                     |            | 4      |
| 28   | D type washer              | Ø32        | 2      |
| 29 L | Cover for pedal tube L     |            | 2      |
| 29 R | Cover for pedal tube R     |            | 2      |
| 30   | Spring washer              | Ø10        | 2      |
| 31   | Nylon nut                  | M8         | 3      |
| 32   | Front post                 |            | 1      |
| 33   | Cover for top handlebar    |            | 2 Sets |
| 34   | Carriage bolt              | Ø8*20      | 4      |
| 35   | Allen bolt                 | M6*12      | 4      |
| 36   | Top handlebar L            |            | 1      |
| 37   | Foam grip                  |            | 2      |
| 38   | End cap                    |            | 2      |
| 39   | Foam grip                  |            | 2      |
| 40 L | Handlebar L                |            | 1      |
| 40 R | Handlebar R                |            | 1      |
| 41   | End cap                    | Ø25.4      | 2      |
| 42   | Hand pulse sensor          |            | 2      |

| #    | Description         | Specs    | Qty |
|------|---------------------|----------|-----|
| 43   | Washer              | Ø4.2*Ø12 | 2   |
| 44   | Self tapping screw  | ST4*20   | 2   |
| 45   | Screw for computer  | M5*10    | 4   |
| 46   | Computer            |          | 1   |
| 47   | Top handlebar R     |          | 1   |
| 48   | Self tapping screw  | ST4*15   | 4   |
| 49   | Bottom handlebar R  |          | 1   |
| 50   | Pedal R             |          | 1   |
| 51   | Pedal tube R        |          | 1   |
| 52   | Lower computer wire |          | 1   |
| 53   | Screw               |          | 2   |
| 54   | Upper computer wire |          | 1   |
| 55   | Bearing             |          | 4   |
| 56   | Hand pulse wire     |          | 2   |
| 57   | Self tapping screw  | T4*30    | 2   |
| 58   | Self tapping screw  | ST5*15   | 12  |
| 59   | Screw               |          | 17  |
| 60   | Sensor wire         |          | 1   |
| 61   | Power wire          |          | 1   |
| 62   | Motor wire          |          | 1   |
| 63   | Motor               |          | 1   |
| 64   | Bushing             |          | 2   |
| 65   | Flange nut          |          | 4   |
| 66   | Run plate           |          | 2   |
| 67   | Crank               |          | 2   |
| 68   | Self tapping screw  |          | 8   |
| 69 L | Chain cover L       |          | 1   |
| 69 R | Chain cover R       |          | 1   |
| 70 L | Front chain cover L |          | 1   |
| 70 R | Front chain cover R |          | 1   |
| 71   | Axle for pulley     |          | 1   |
| 72   | Belt pulley         |          | 1   |
| 73   | Bearing             | 6203     | 2   |
| 74   | Adjusting bolt      |          | 2   |
| 75   | Adjusting plate     |          | 2   |
| 76   | Sensor bracket      |          | 1   |
| 77   | Spring              |          | 1   |
| 78   | Hex head nut        | M6       | 2   |
| 79   | Hex head bolt       | M6*25    | 1   |
| 80   | Axle for flywheel   |          | 1   |
| 81   | C-clip              | Ø12      | 2   |
| 82   | Bearing             | 6001     | 2   |
| 83   | Flywheel            |          | 1   |
| 84   | Nylon nut           | M6       | 6   |
| 85   | Magnet assembly     |          | 1   |

| <b>#</b> | <b>Description</b>             | <b>Specs</b> | <b>Qty</b> |
|----------|--------------------------------|--------------|------------|
| 86       | Hex head bolt                  | M8*95        | 1          |
| 87       | C-clip                         |              | 2          |
| 88       | Belt                           |              | 1          |
| 89       | Allen screw                    | M6*15        | 4          |
| 90       | Bottle holder                  |              | 1          |
| 91       | Decorating ring for front post |              | 1          |
| 92       | Allen screw                    | M8*40        | 2          |
| 93       | End cap                        |              | 2          |
| 94       | Adaptor                        | 9V-DC/ 0,5 A | 1          |
| 95       | Nut                            | M10          | 4          |











## **Tunturi New Fitness BV**

Purmerweg 1 NL - 1311 XE Almere  
P.O. Box 60001 NL - 1320 AA Almere  
The Netherlands

[www.tunturi-fitness.com](http://www.tunturi-fitness.com)  
[info@tunturi-fitness.com](mailto:info@tunturi-fitness.com)

