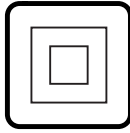
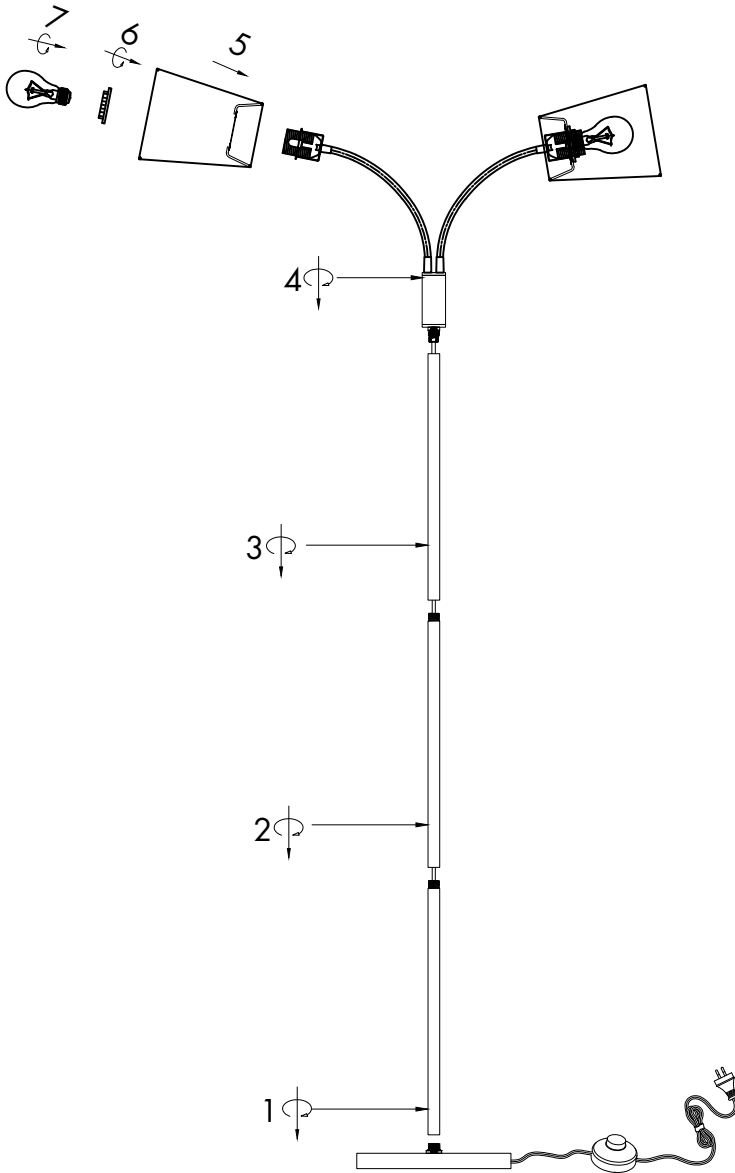


# INSTRUCTION MANUAL



Carmen FL Black 2  
103501



Overall Sizes:

