

# Art.-Nr.:3102

Bathroom lamp

Chrome/White with star effect

incl 3 step switch dimming

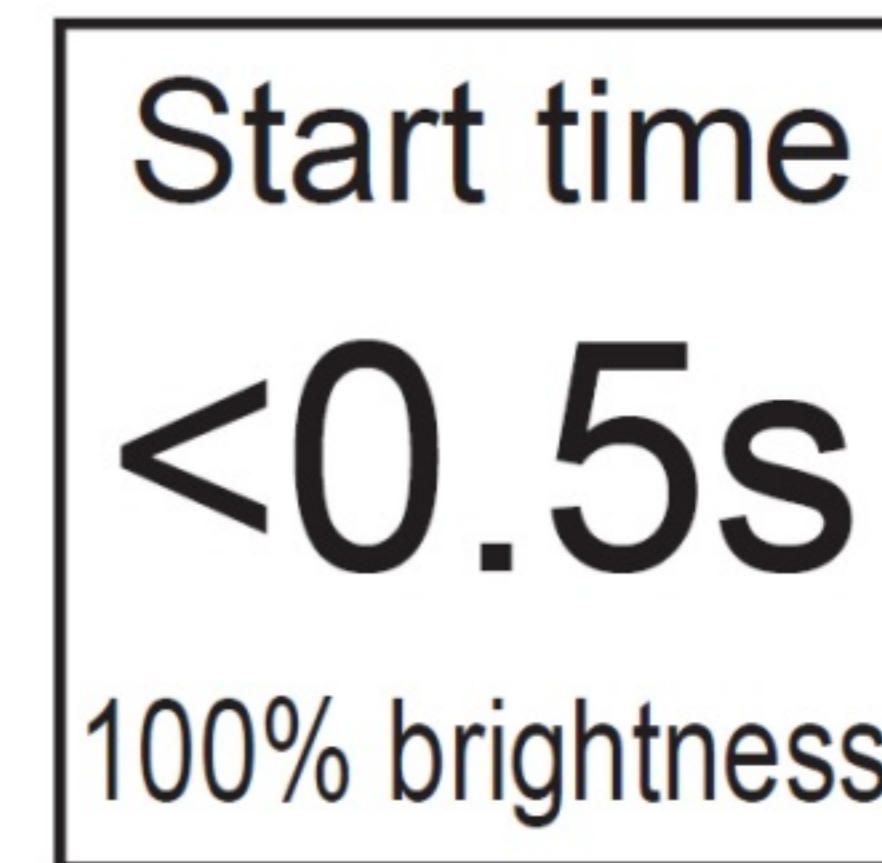
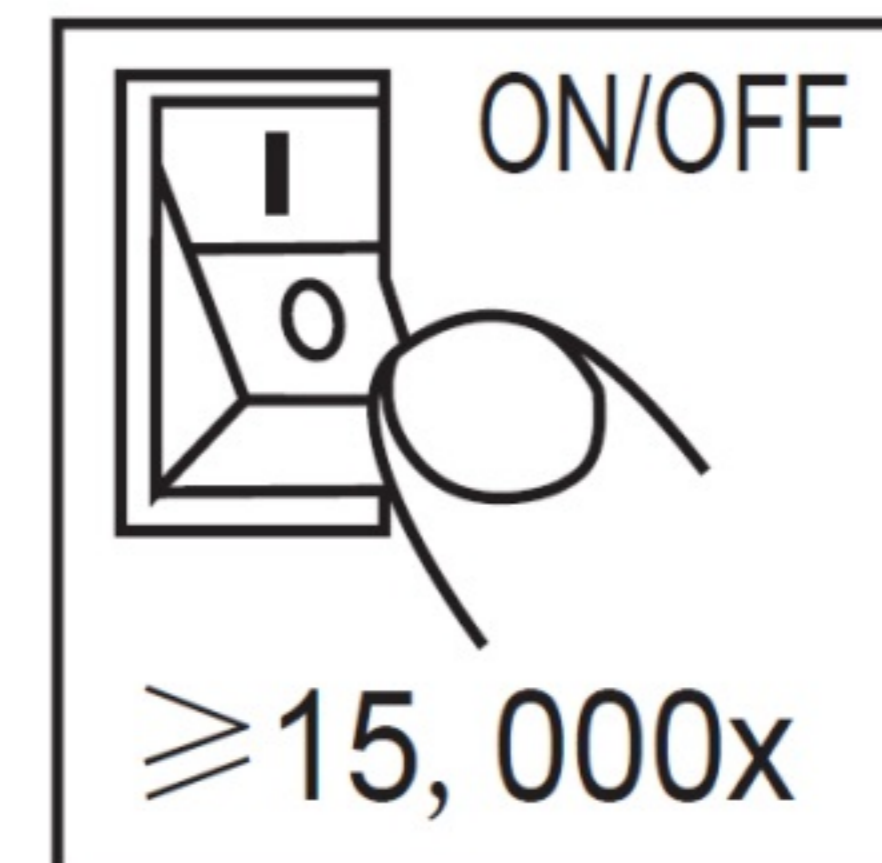
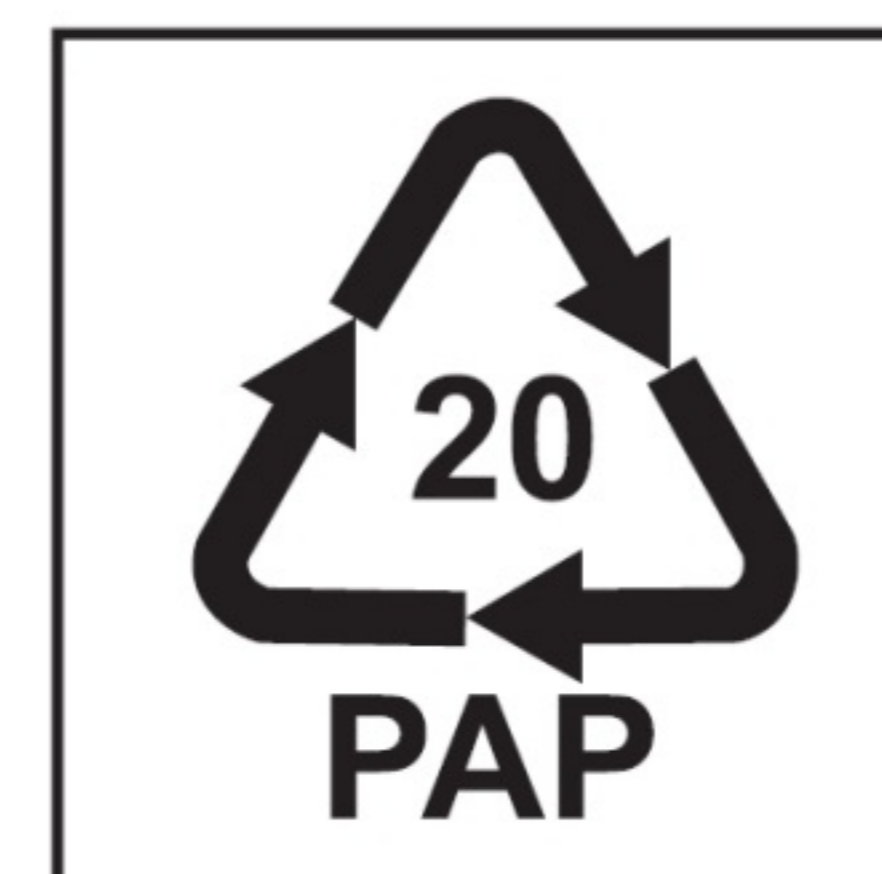
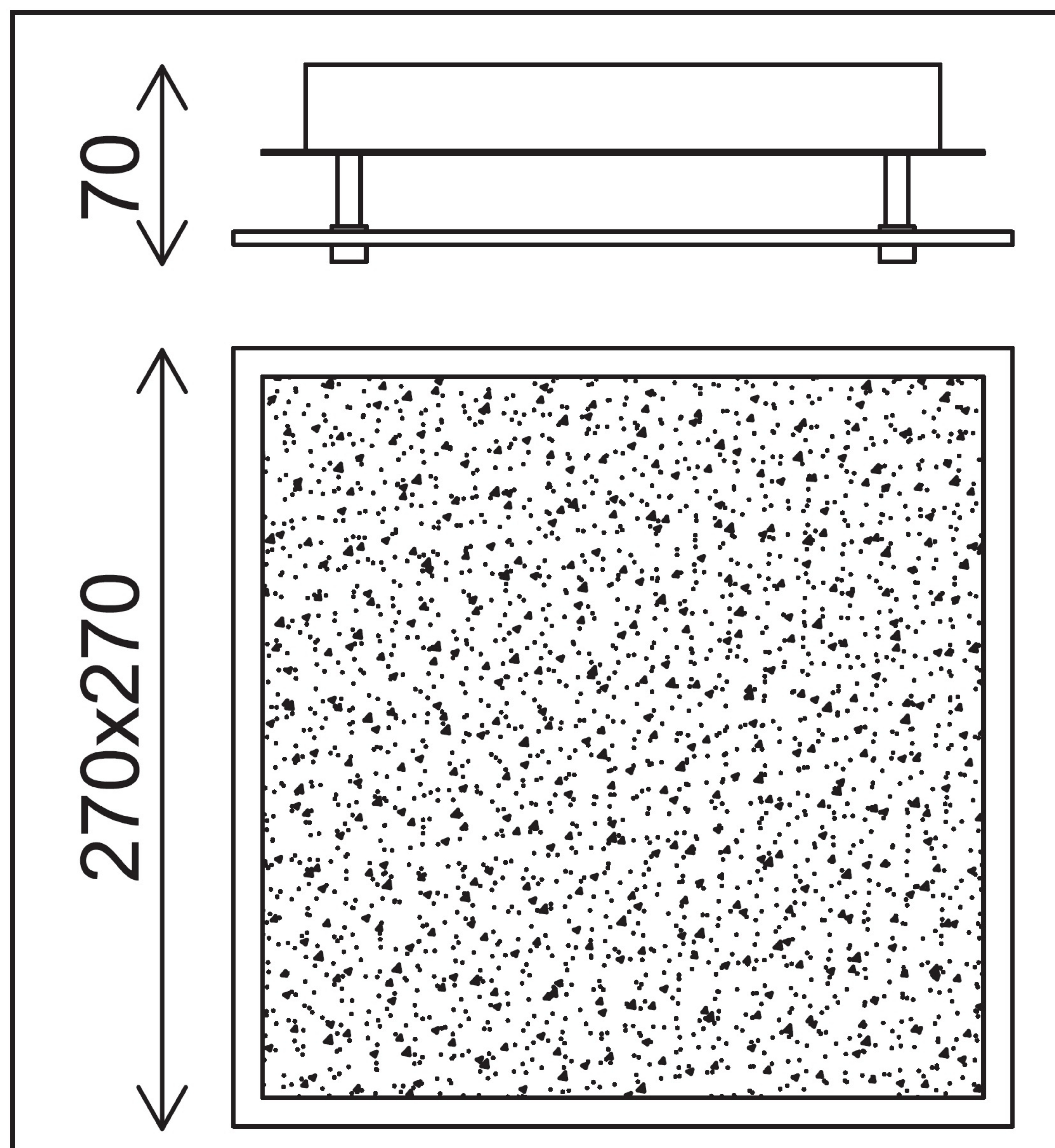
(100%-50%-15%)

Input 230V~50Hz/IP44

LED/3000K/1200LM/Ra>80/

max.12W

Life time : $\geq$ 20000 h



Trango GmbH

Jakobsberg 1

D-59929 Brilon

[www.trango.de](http://www.trango.de)



4 260466 54090 8