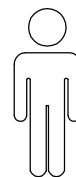
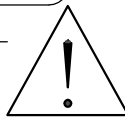
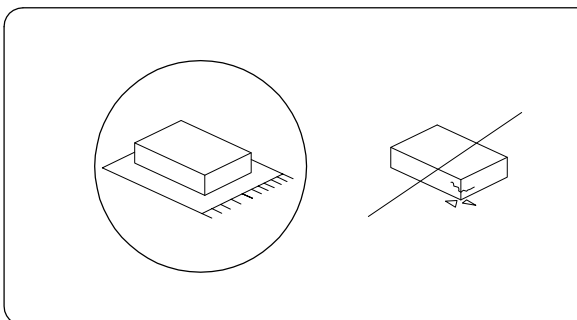
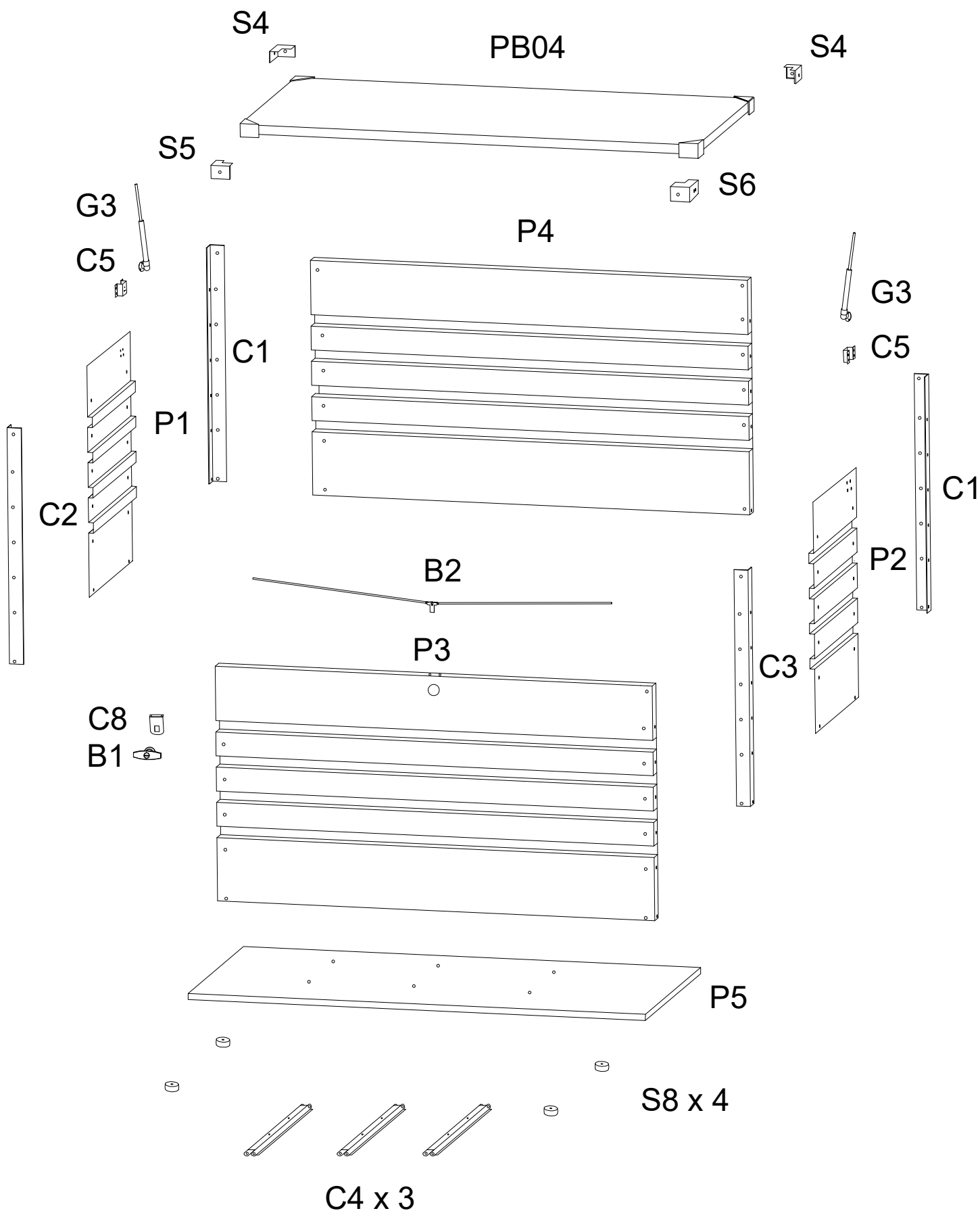
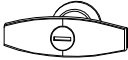




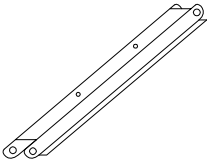
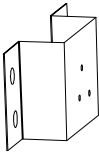
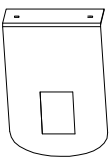
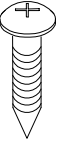
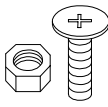
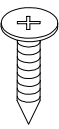



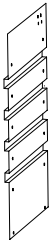
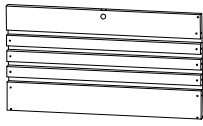


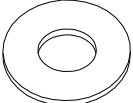
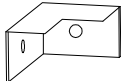
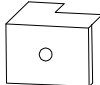
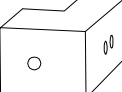
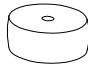


90'




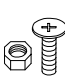
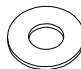

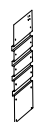


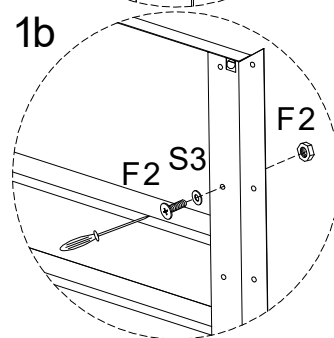
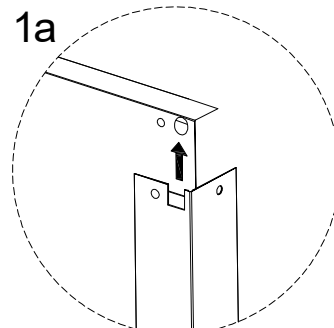
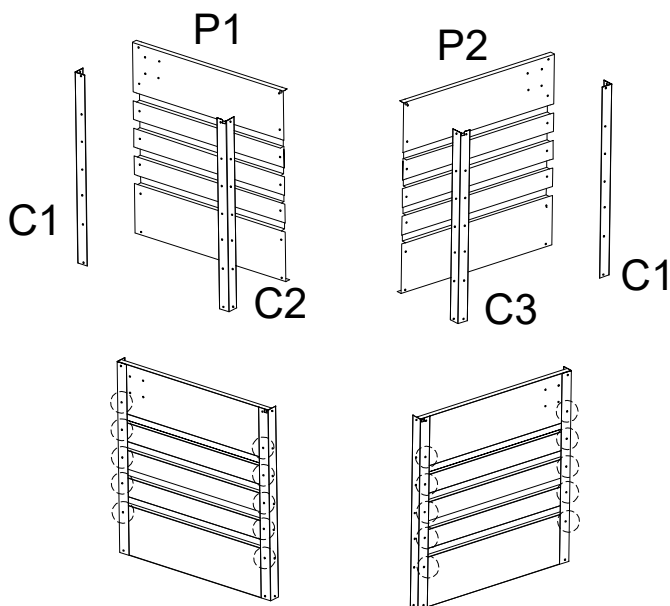
2



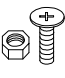

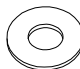
<p><b>B1</b></p>  <p>x 1</p>	<p><b>B2</b></p>  <p>x 1</p>	<p><b>C1</b></p>  <p>x 2</p>	<p><b>C2</b></p>  <p>x 1</p>	
<p><b>C3</b></p>  <p>x 1</p>	<p><b>C4</b></p>  <p>x 3</p>	<p><b>C5</b></p>  <p>x 2</p>	<p><b>C8</b></p>  <p>x 1</p>	
<p><b>F1</b></p>  <p>M4 x 10</p> <p>x 50</p>	<p><b>F2</b></p>  <p>M4 x 12</p> <p>x 65</p>	<p><b>F8</b></p>  <p>M4 x 15</p> <p>x 6</p>	<p><b>G3</b></p>  <p>x 2</p>	<p><b>PB04</b></p>  <p>x 1</p>
<p><b>P1</b></p>  <p>x 1</p>	<p><b>P2</b></p>  <p>x 1</p>	<p><b>P3</b></p>  <p>x 1</p>	<p><b>P4</b></p>  <p>x 1</p>	<p><b>P5</b></p>  <p>x 1</p>
<p><b>S3</b></p>  <p>x 84</p>	<p><b>S4</b></p>  <p>x 2</p>	<p><b>S5</b></p>  <p>x 1</p>	<p><b>S6</b></p>  <p>x 1</p>	<p><b>S8</b></p>  <p>x 4</p>

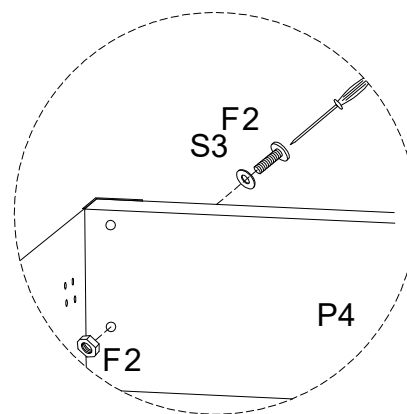
1

C1  x 2	C2  x 1	C3  x 1	F2  M4 x 12 x 20	S3  x 20	P1  x 1	P2  x 1
------------------------------------------------------------------------------------------------	------------------------------------------------------------------------------------------------	------------------------------------------------------------------------------------------------	---------------------------------------------------------------------------------------------------------------	--------------------------------------------------------------------------------------------------	--------------------------------------------------------------------------------------------------	--------------------------------------------------------------------------------------------------

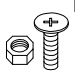

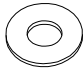


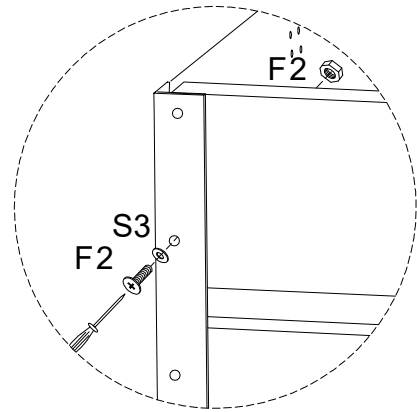
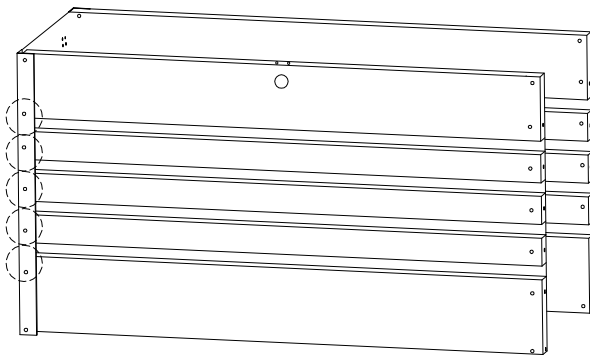
2

F2  M4 x 12 x 5	P4  x 1	S3  x 5
----------------------------------------------------------------------------------------------------------------	--------------------------------------------------------------------------------------------------	----------------------------------------------------------------------------------------------------

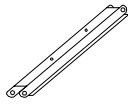


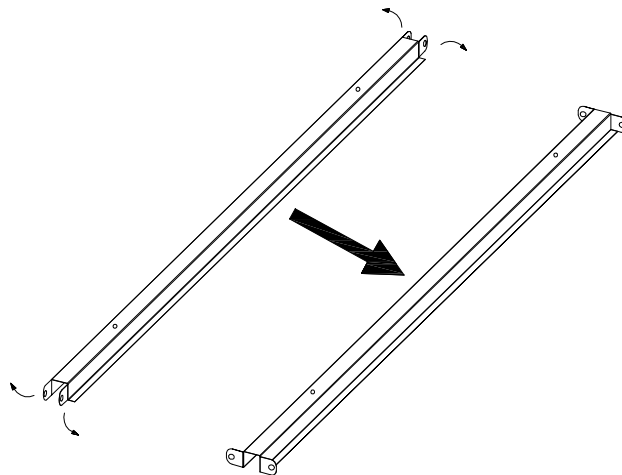
3

<p>F2</p>  <p>M4 x 12 x 5</p>	<p>P3</p>  <p>x 1</p>	<p>S3</p>  <p>x 5</p>
------------------------------------------------------------------------------------------------------------------------	--------------------------------------------------------------------------------------------------------	----------------------------------------------------------------------------------------------------------



4

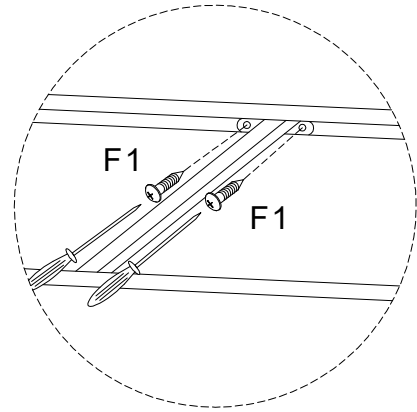
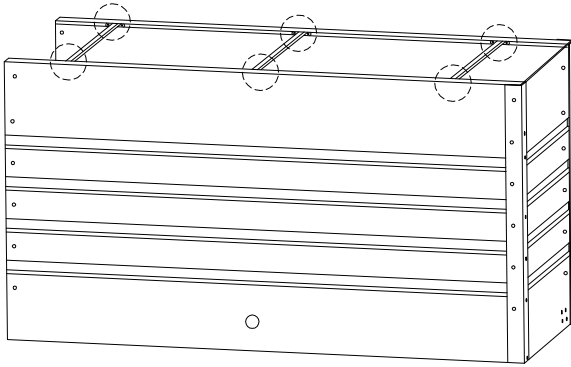
<p>C4</p>  <p>x 3</p>
----------------------------------------------------------------------------------------------------------



5

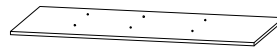
F1

M4  
x  
10  
x 12

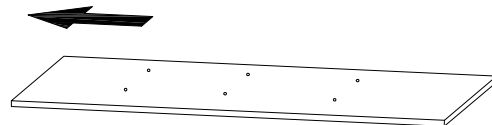
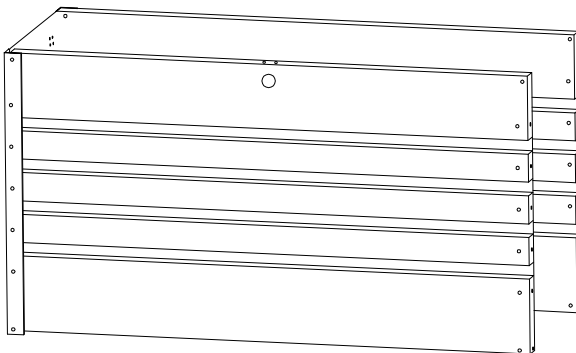


6

P5

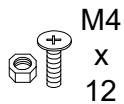


x 1



7

F2

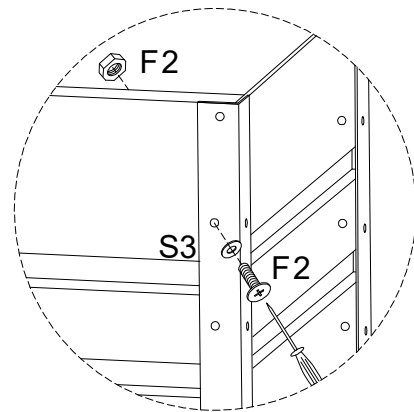
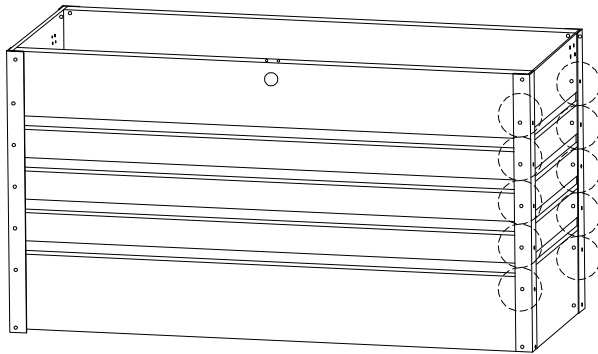


x 10

S3

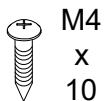


x 10



8

F1

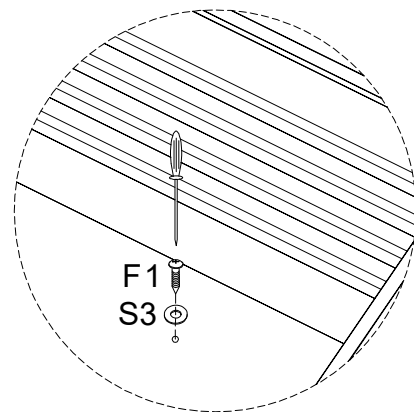
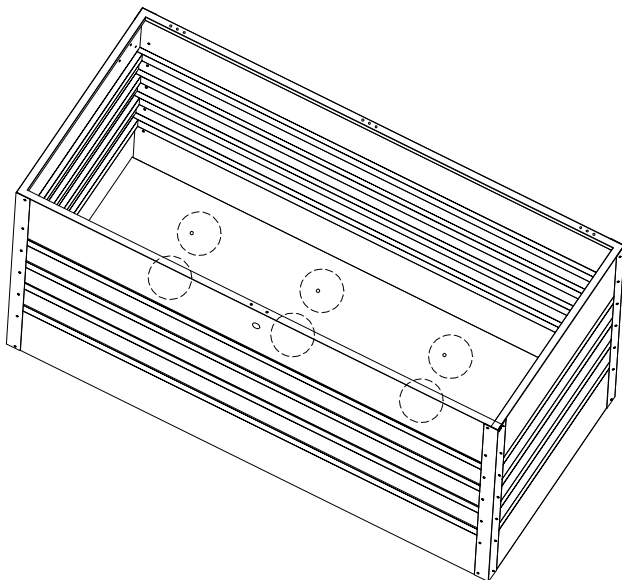


x 6

S3

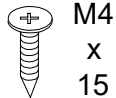


x 6



9

F8

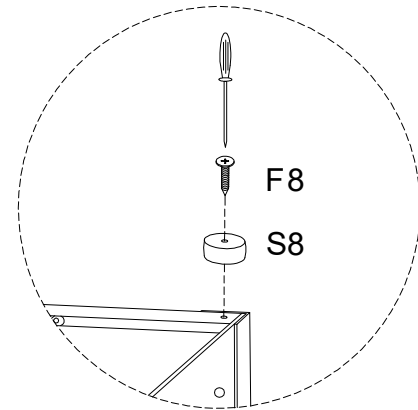
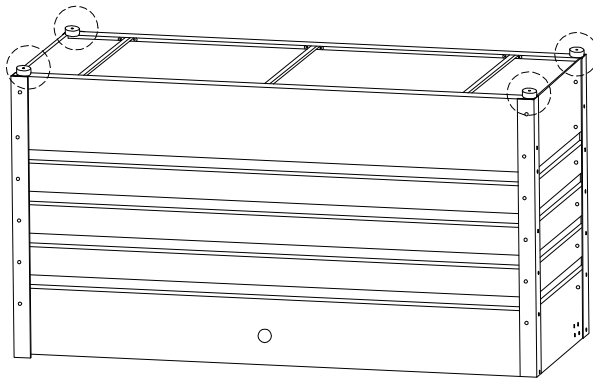


x 4

S8

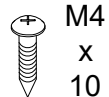


x 4



10

F1

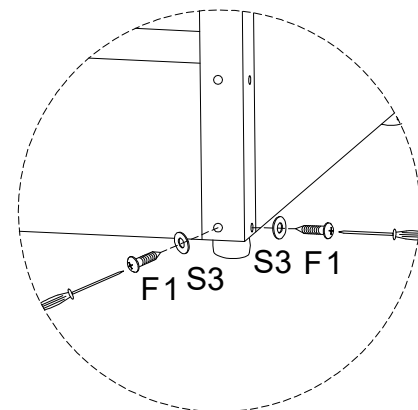
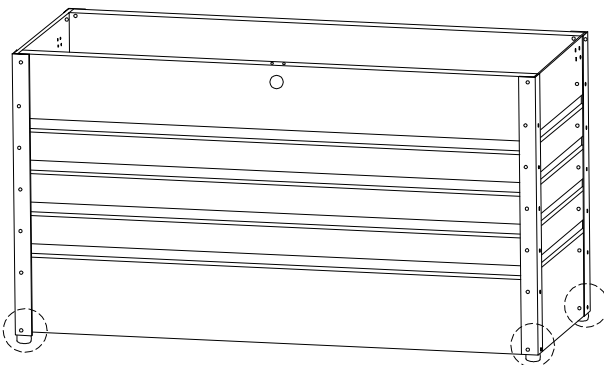


x 8

S3

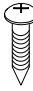

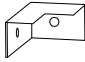
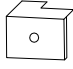


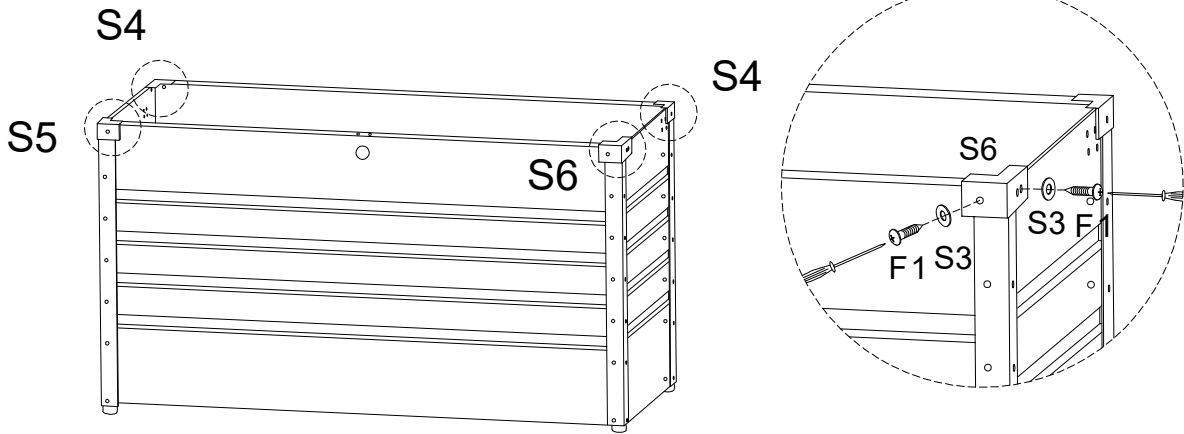
x 8







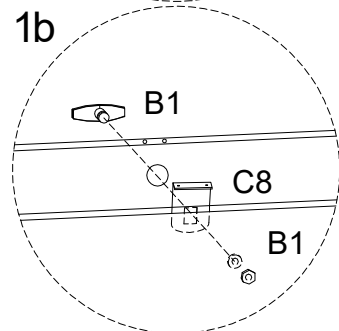
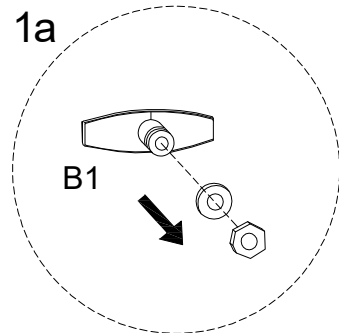
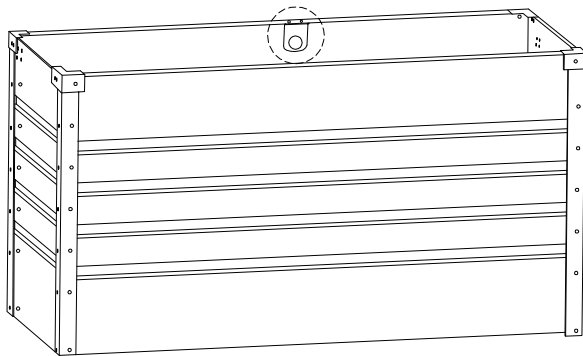
11

F1 M4 x 10 x 8	S3  x 8	S4  x 2	S5  x 1	S6  x 1
-------------------------	------------------------------------------------------------------------------------------------	------------------------------------------------------------------------------------------------	--------------------------------------------------------------------------------------------------	--------------------------------------------------------------------------------------------------



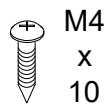
12

B1  x 1	C8  x 1
--------------------------------------------------------------------------------------------------	----------------------------------------------------------------------------------------------------

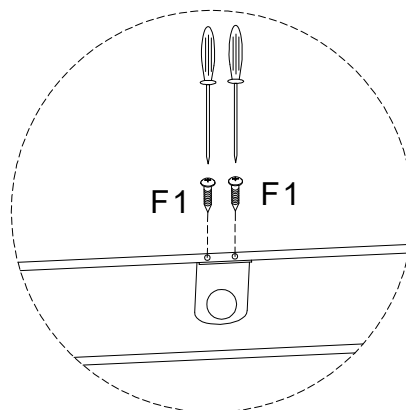
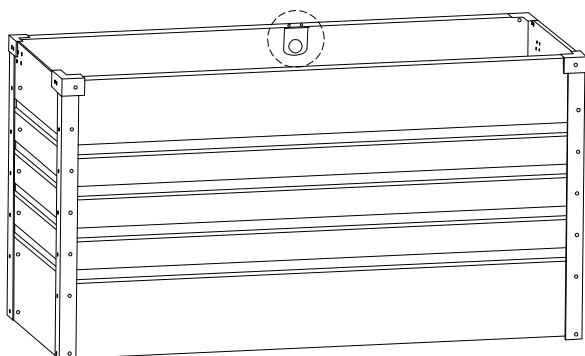


13

F1



x 2

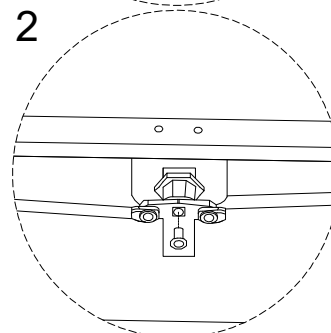
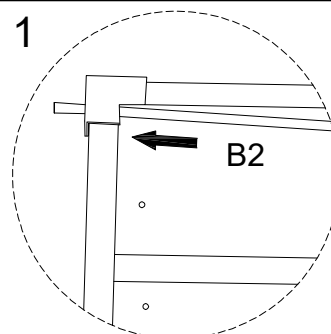
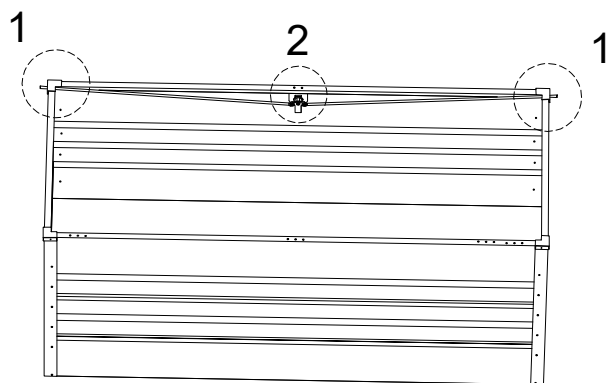


14

B2



x 1



15

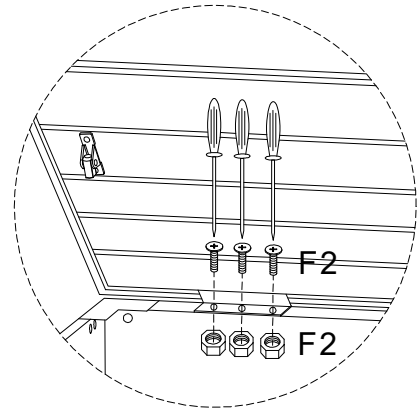
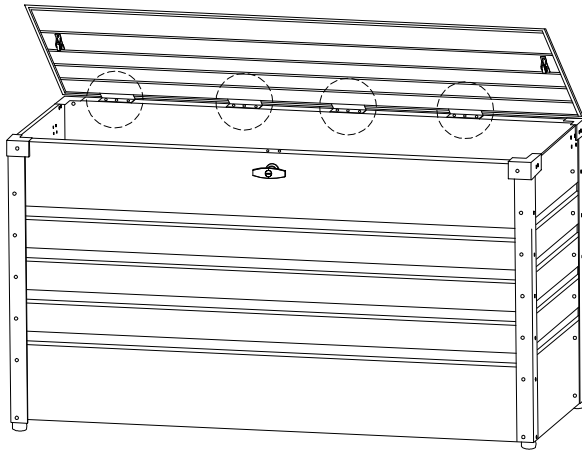
F2

M4  
x  
12  
x 12

Pb04



x 1



16 x 2

C5



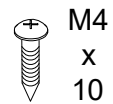
x 1

G3

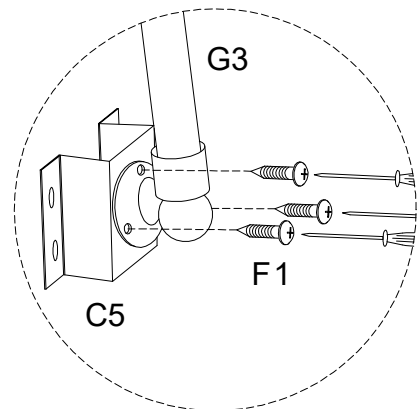
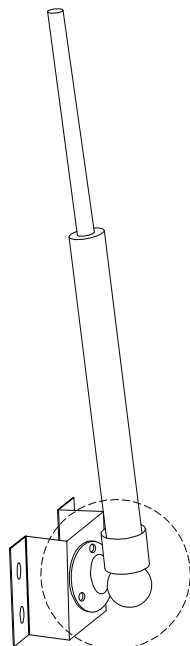


x 1

F1



M4  
x  
10  
x 3



17

F2

M4  
x  
12

x 8

