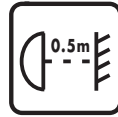
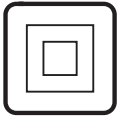
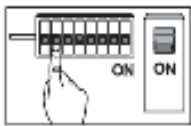
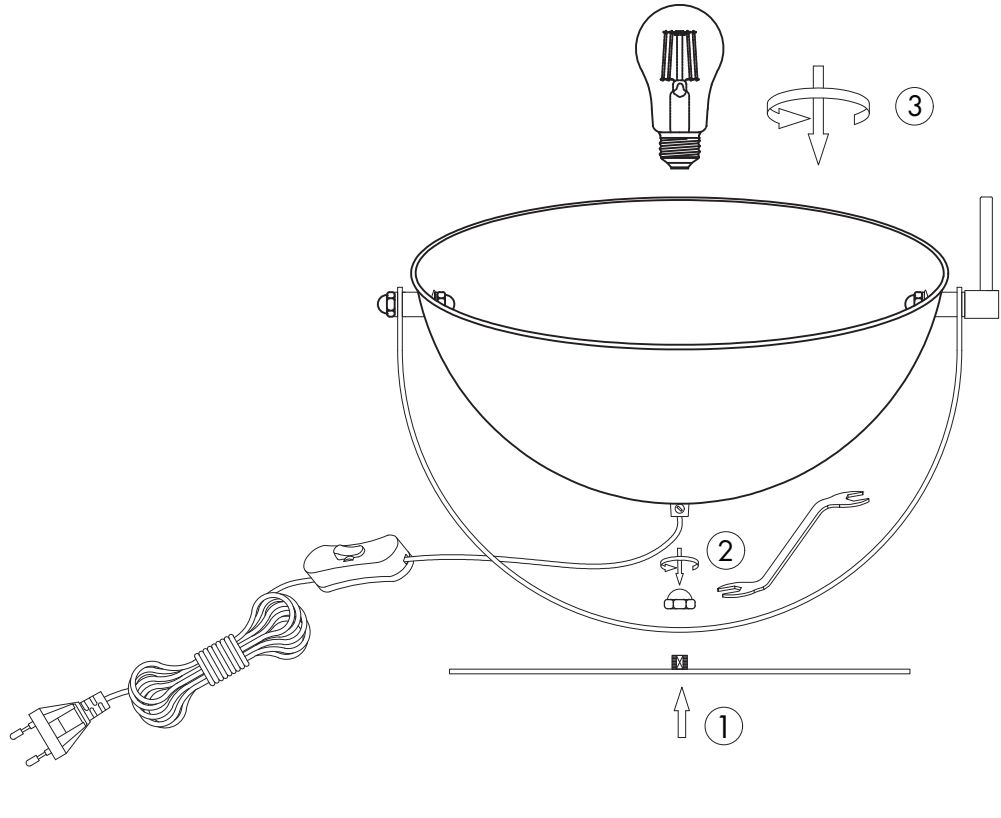


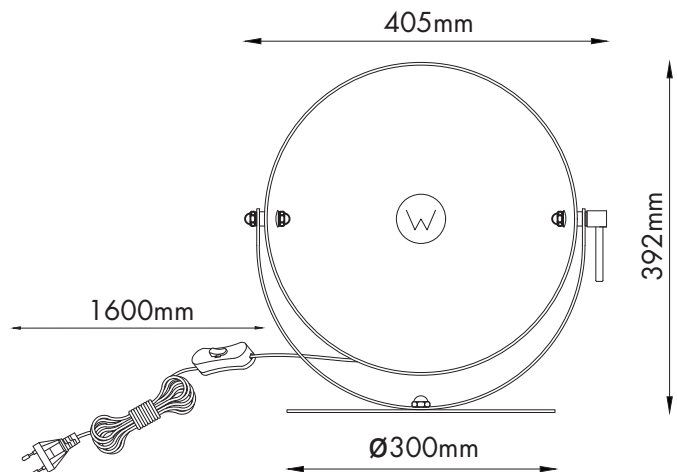
# INSTRUCTION MANUAL



## Magnax TL Black and Gold Adjustable 102507



### Overall Sizes:



**FittinQ B.V.**

Smaragdweg 52, 5527 LB Hapert, The Netherlands  
www.qazqa.nl

QAZQA