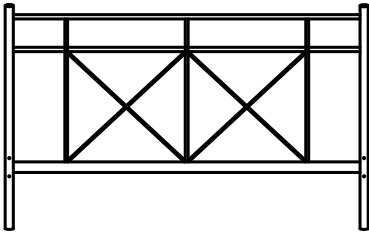
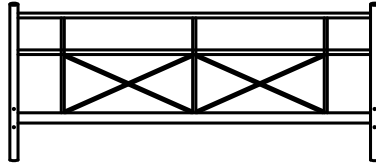


ASSEMBLY INSTRUCTION

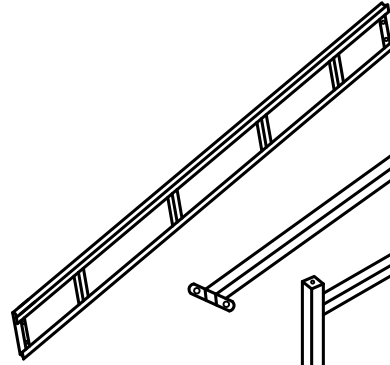
PART LIST



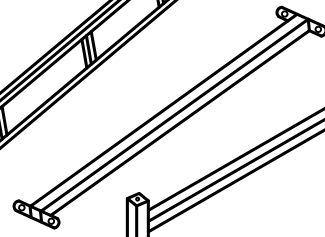
(A) X1



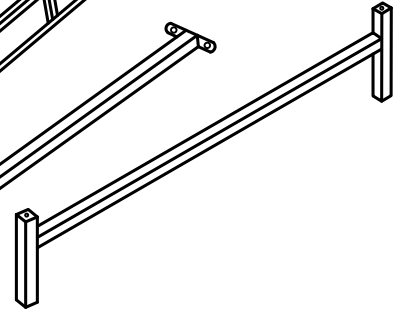
(B) X1



(C) X2



(D) X2



(E) X1

HARDWARE LIST



(F) M8*19mm BOLT
18PCS



(G) M8 NUT
8PCS

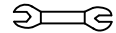


(H) Φ 50 DECORATIVE BALL
4PCS

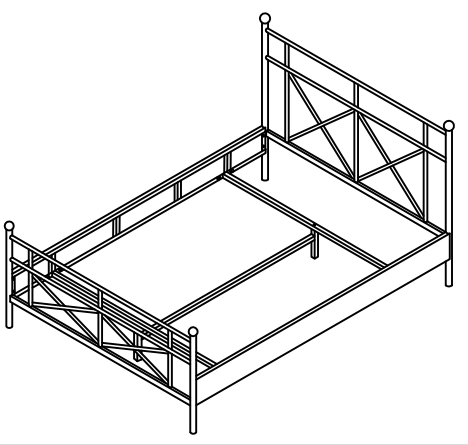
TOOL:



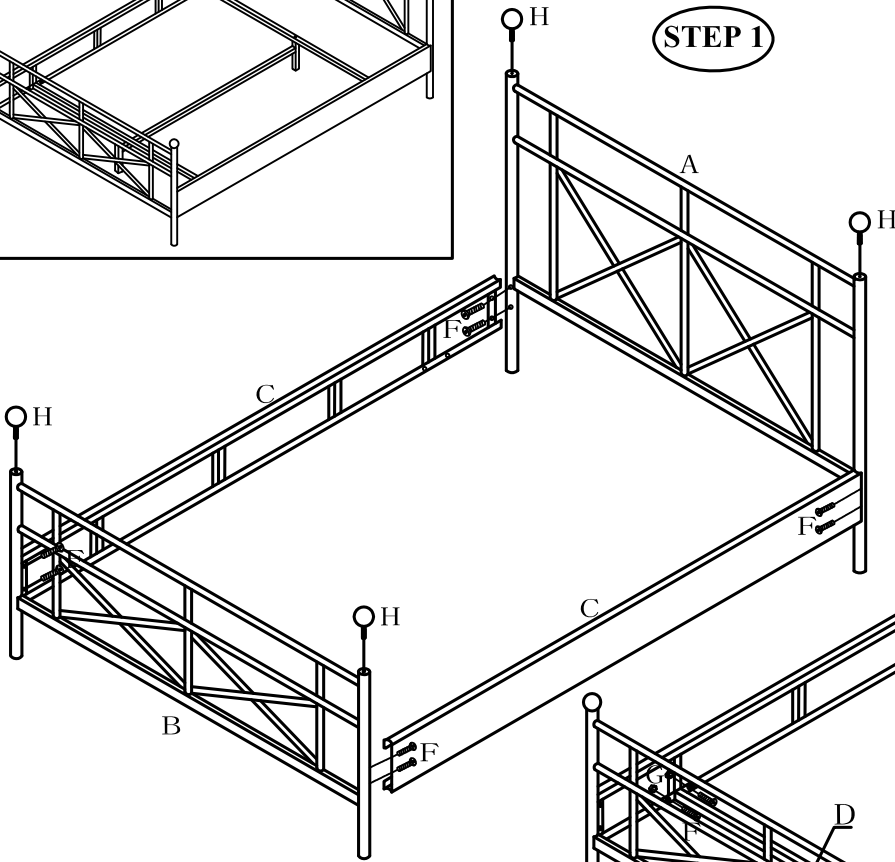
M4
1PC



1PC



STEP 1



STEP 2

