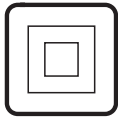
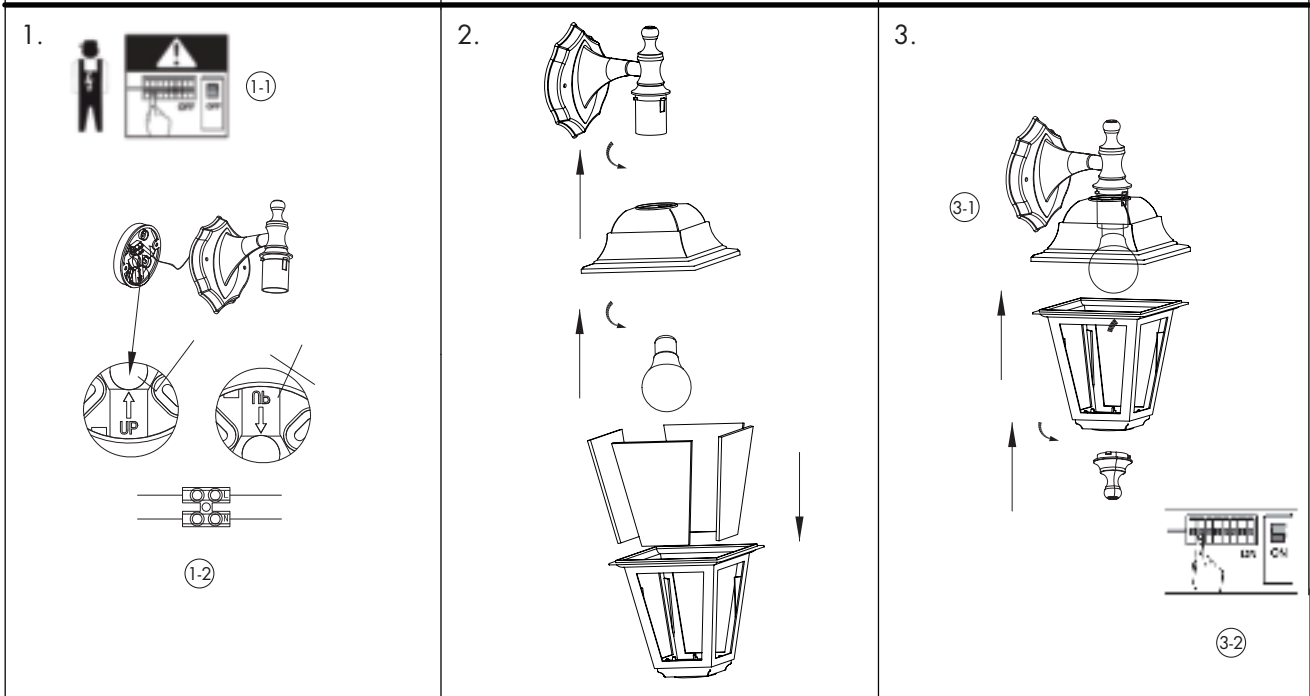
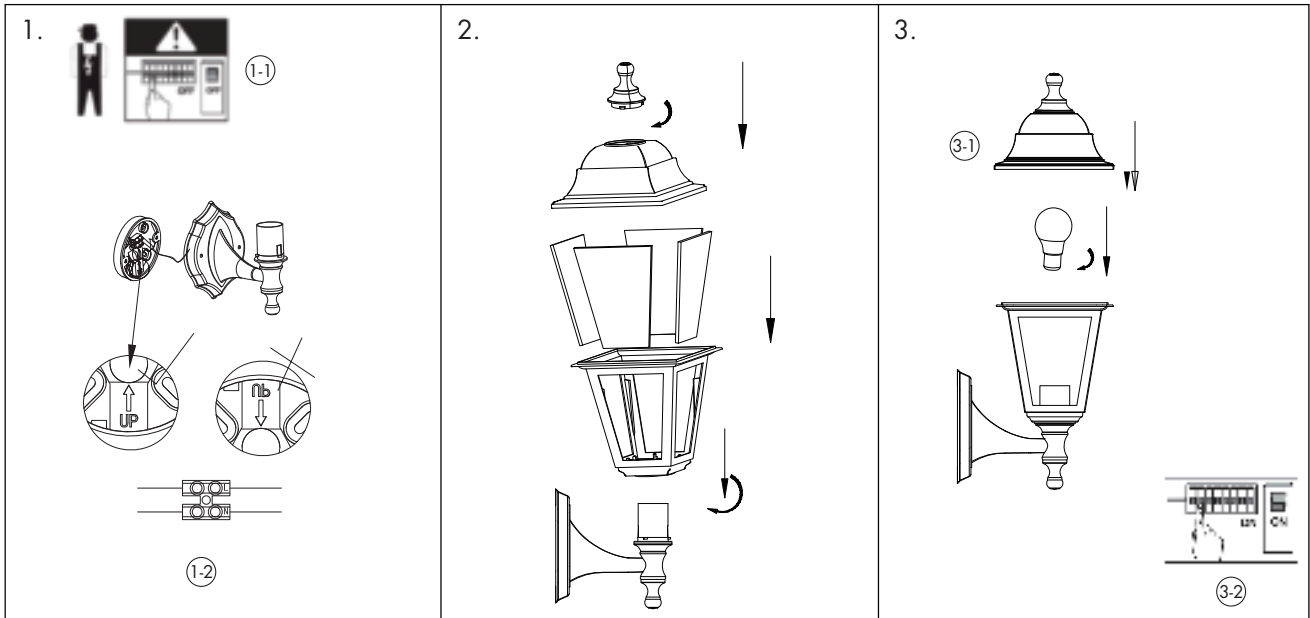


INSTRUCTION MANUAL



Capital WL
103208 / 103209



Overall Size:

