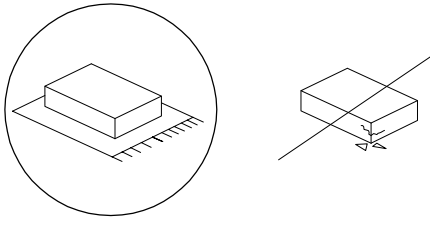
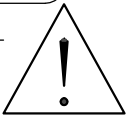
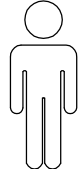
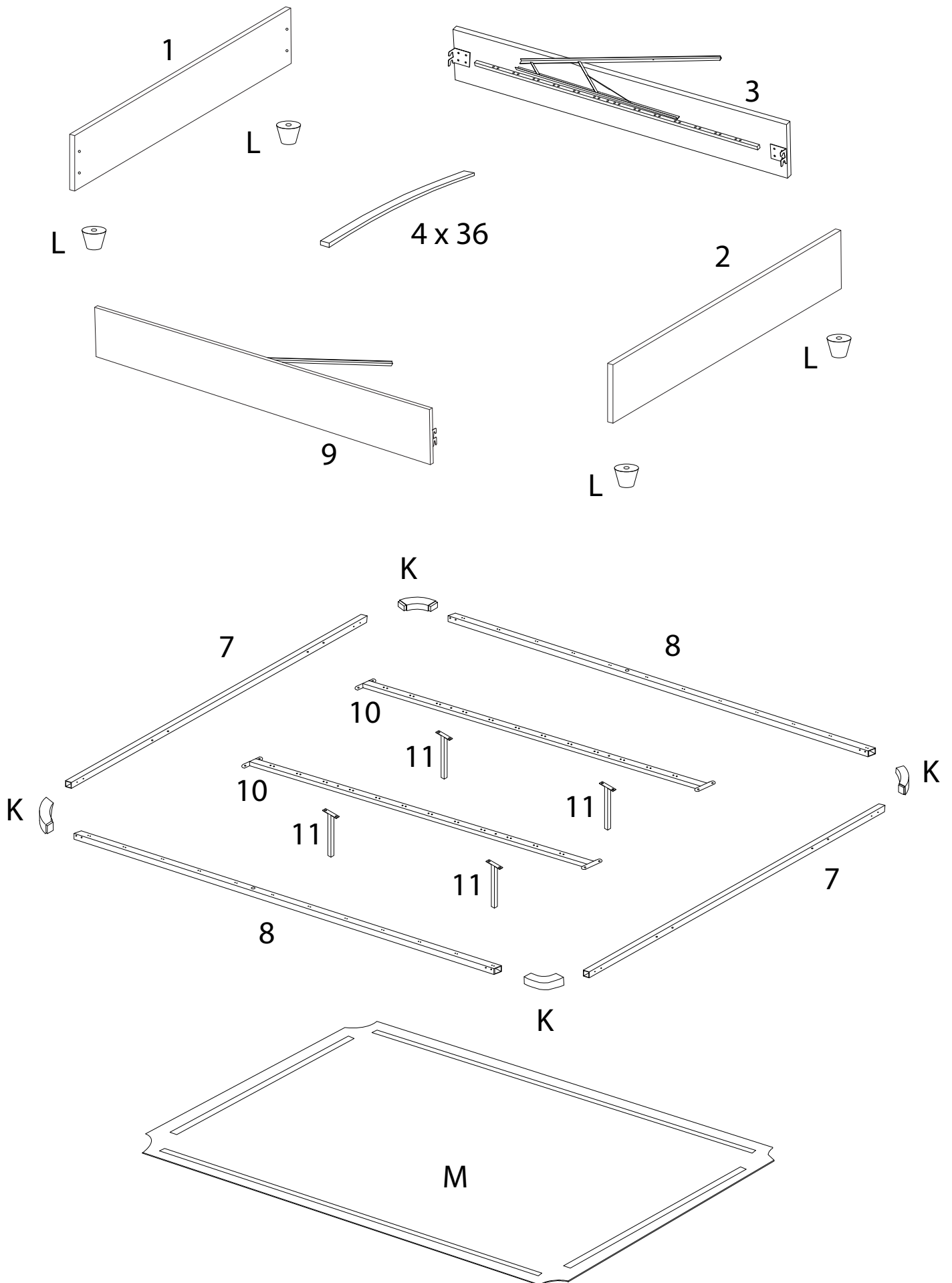
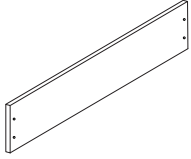
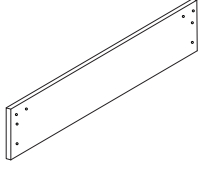
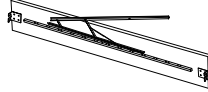
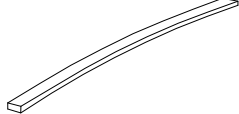
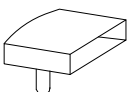
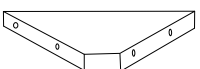
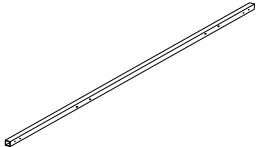
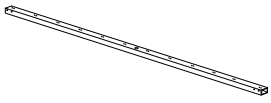
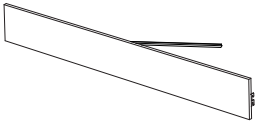
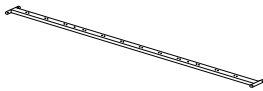
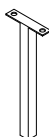

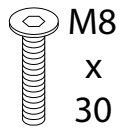

		45'
		
		2



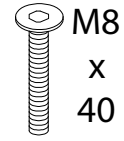
<p>1</p>  <p>x 1</p>	<p>2</p>  <p>x 1</p>	<p>3</p>  <p>x 1</p>	<p>4</p>  <p>x 36</p>
<p>5</p>  <p>x 24</p>	<p>6</p>  <p>x 6</p>	<p>7</p>  <p>x 2</p>	<p>8</p>  <p>x 2</p>
<p>9</p>  <p>x 1</p>	<p>10</p>  <p>x 2</p>	<p>11</p>  <p>x 4</p>	<p>12</p>  <p>x 24</p>

A



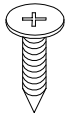
x 16

B



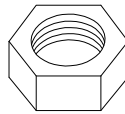
x 30

C



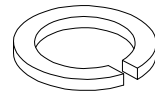
x 4

D



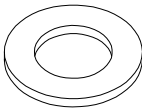
x 38

E



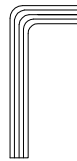
x 16

F



x 16

G



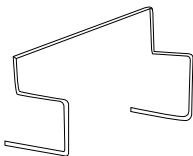
x 1

H



x 1

I



x 1

J



x 1

K



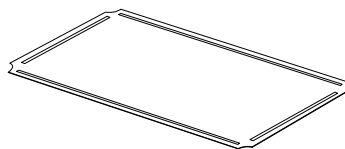
x 4

L



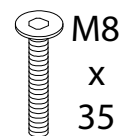
x 4

M



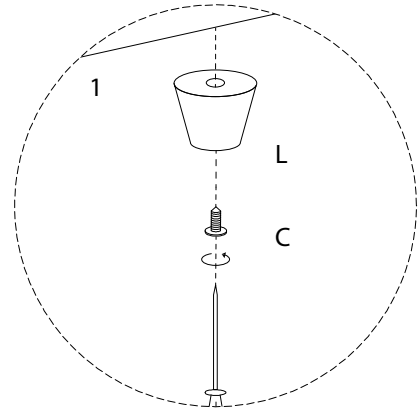
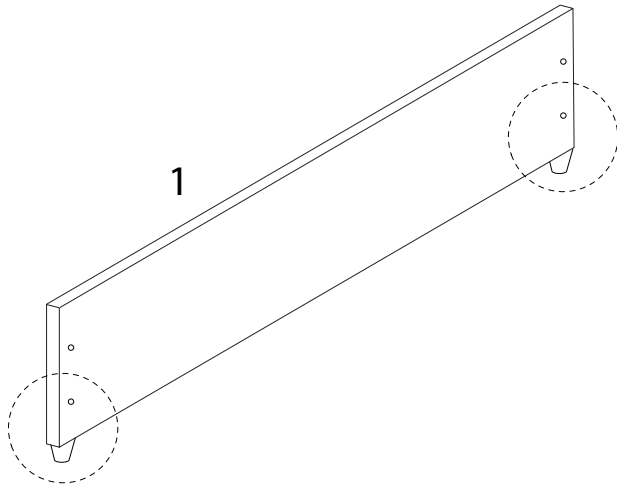
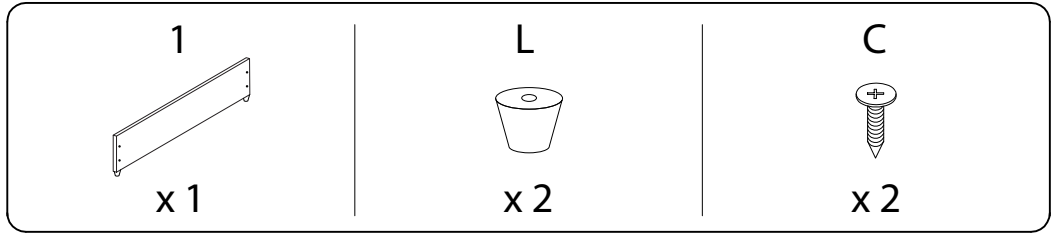
x 1

N

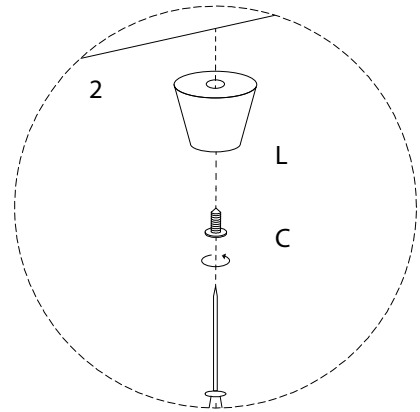
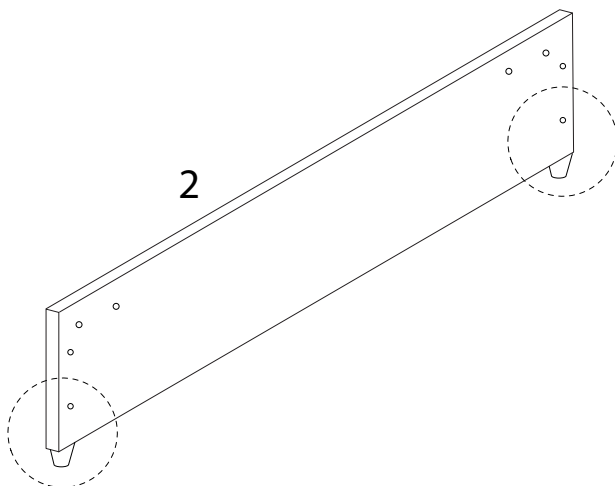
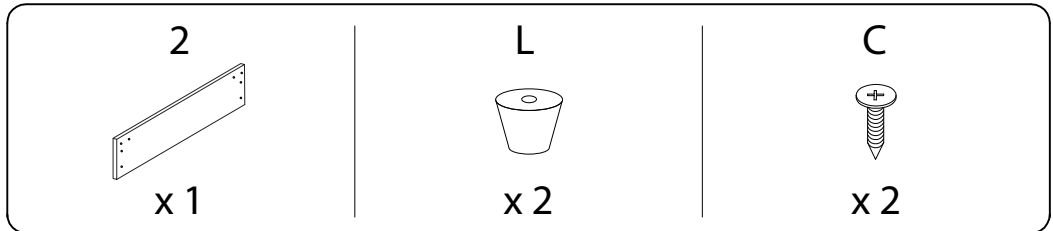


x 8

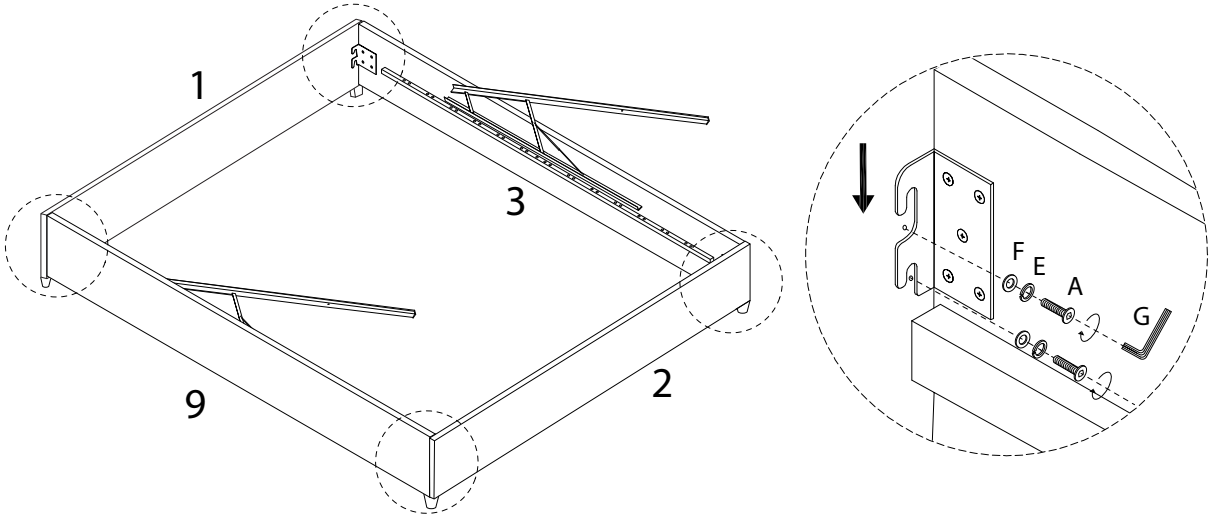
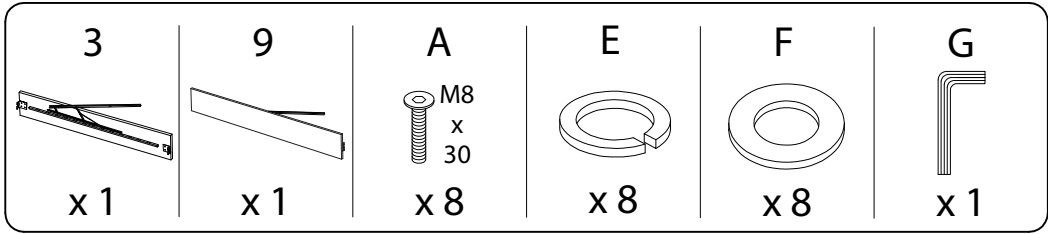
1



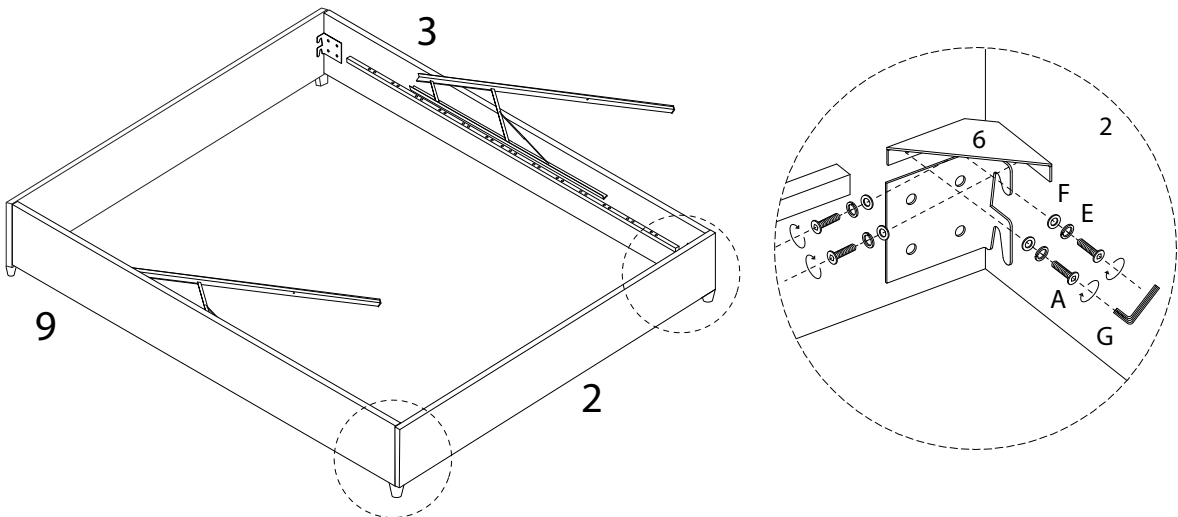
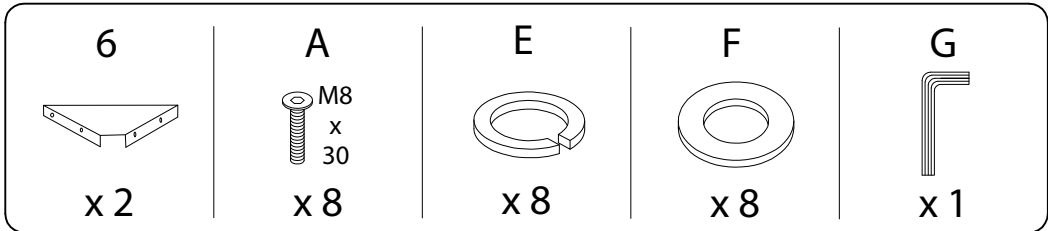
2



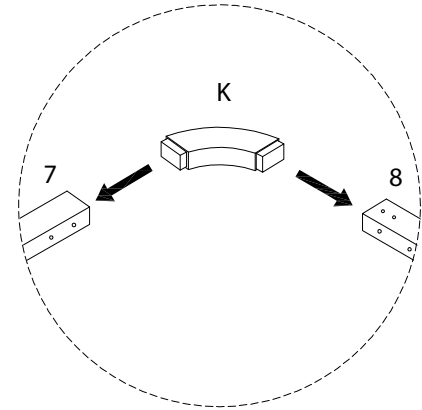
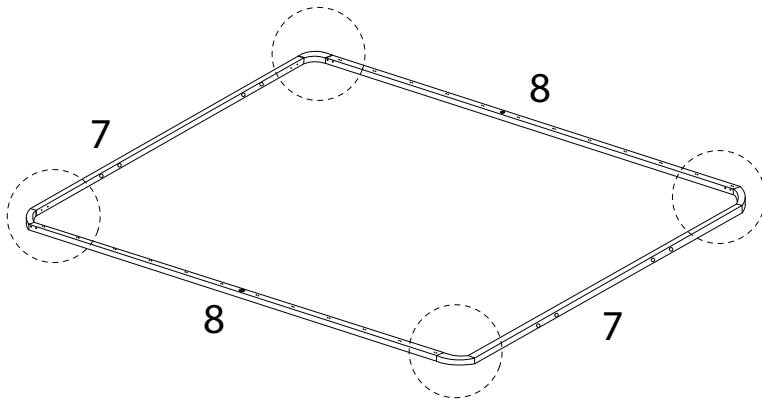
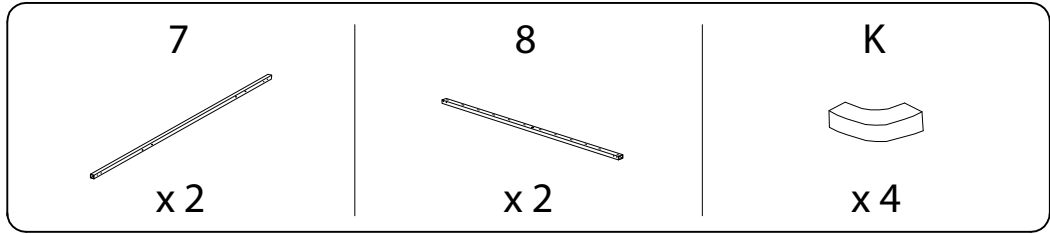
3



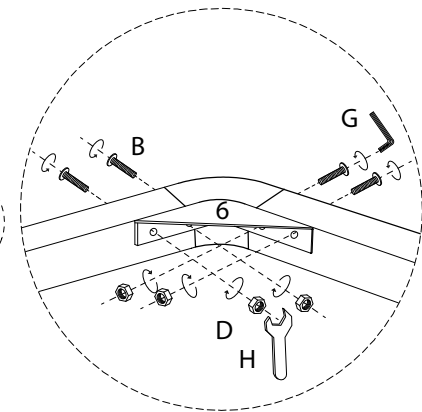
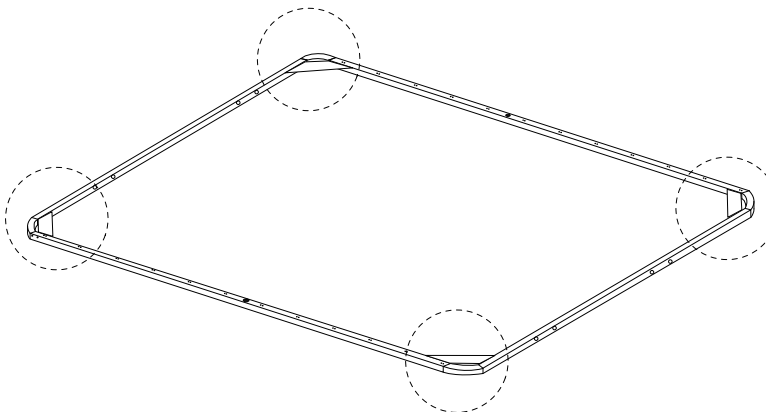
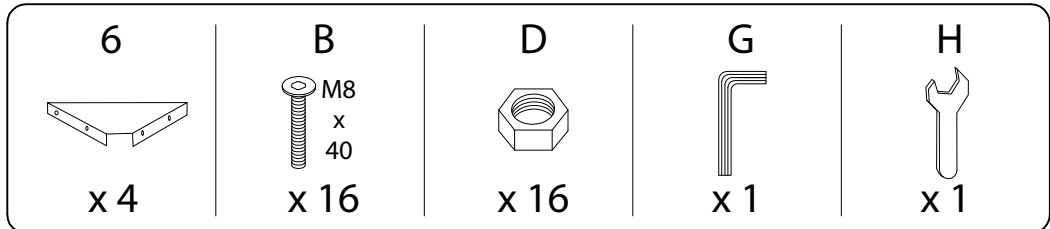
4





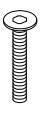
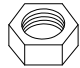
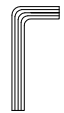

5

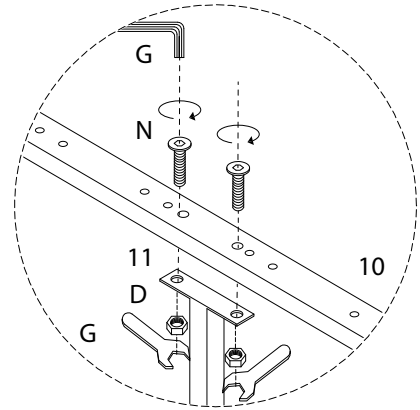
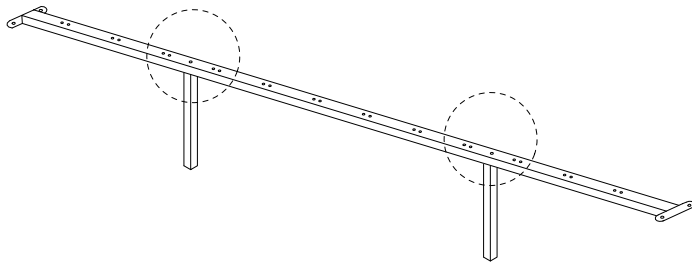


6

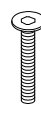
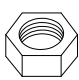
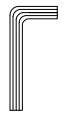



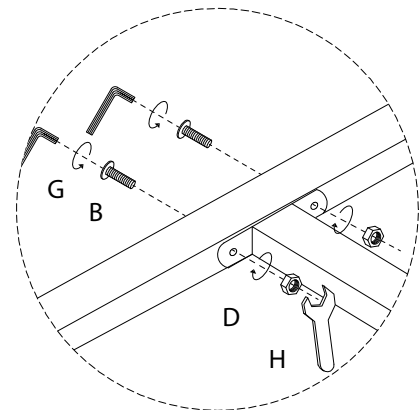
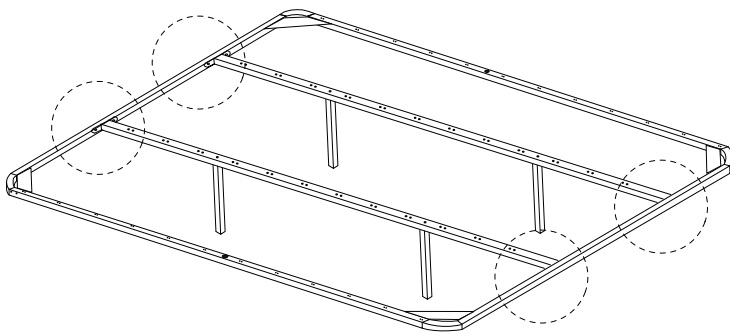
7 x 2

10  x 1	11  x 2	N  M8 x 35 x 4	D  x 4	G  x 1	H  x 1
--	--	--	--	---	---

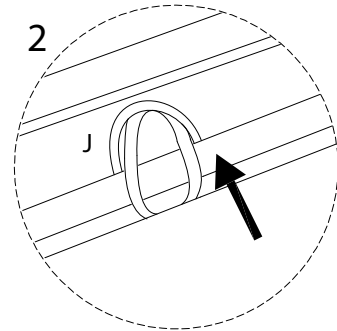
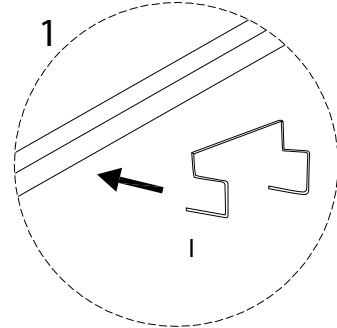
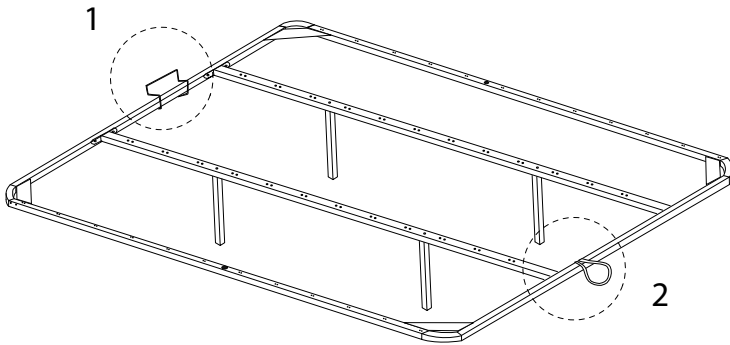
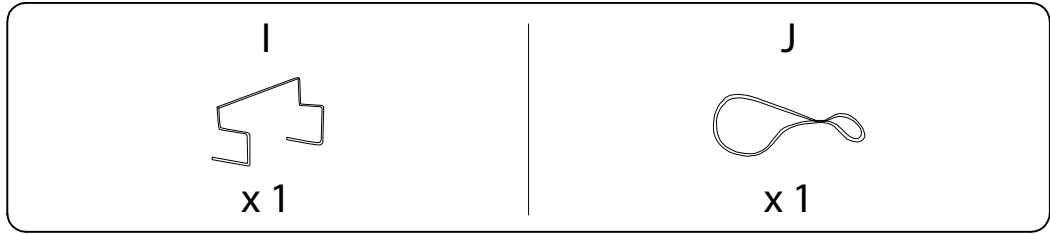


8

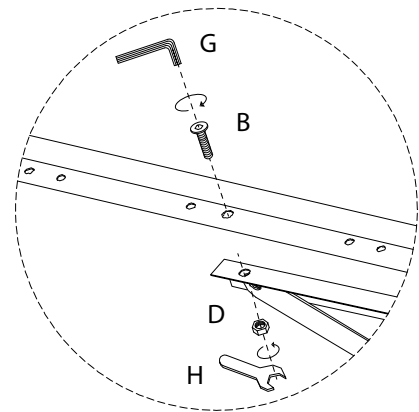
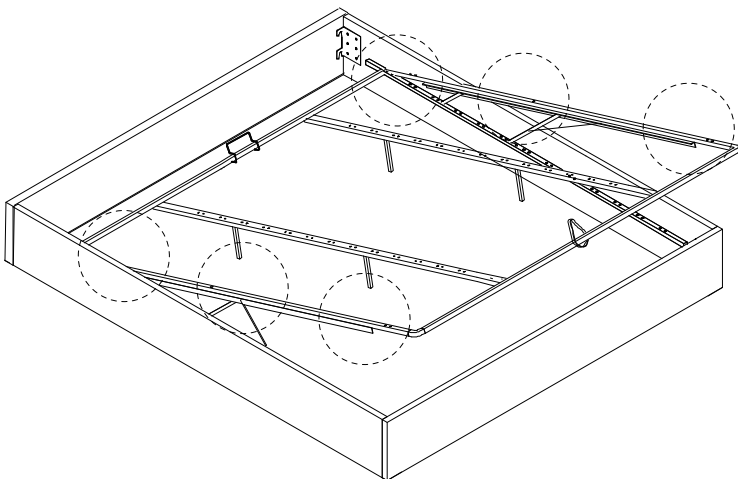
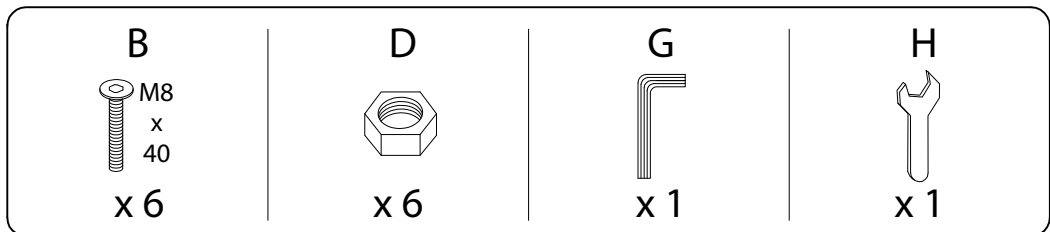
B  M8 x 40 x 8	D  x 8	G  x 1	H  x 1
--	---	--	---



9



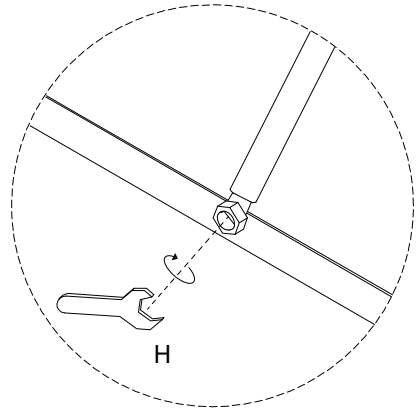
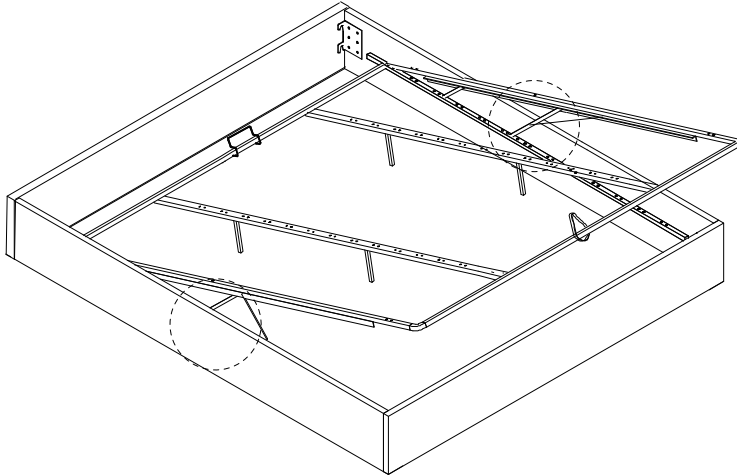
10



11

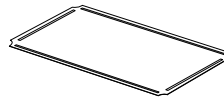
H

x 1

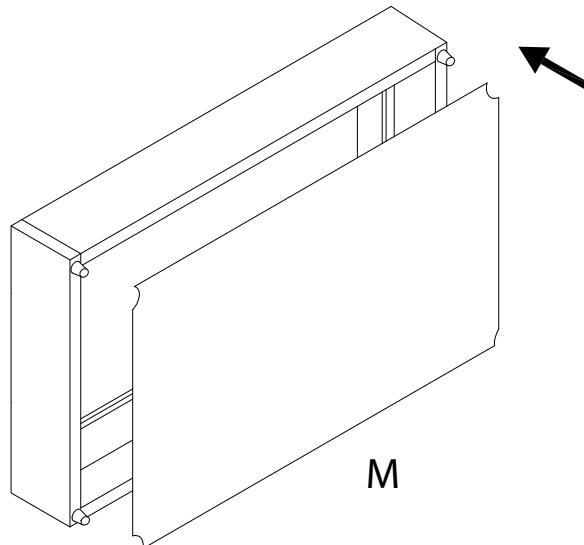


12

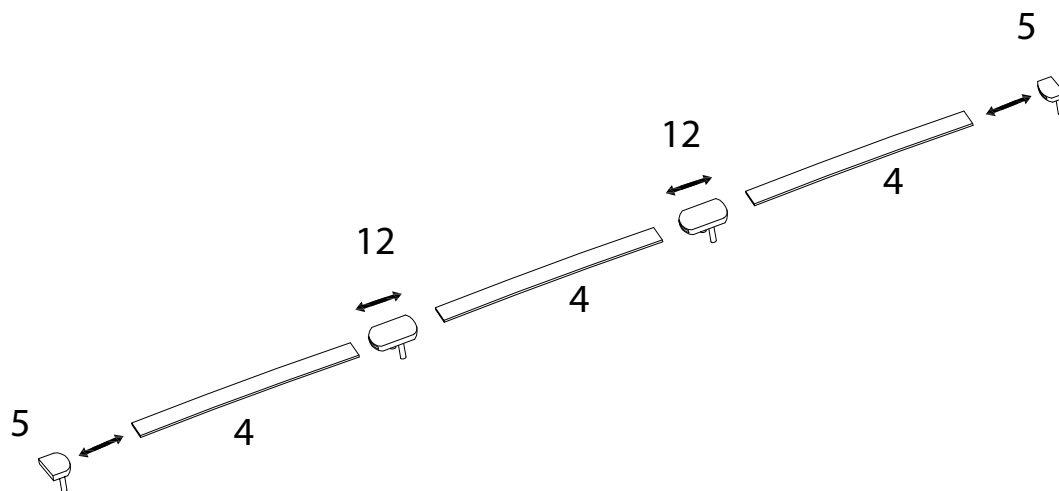
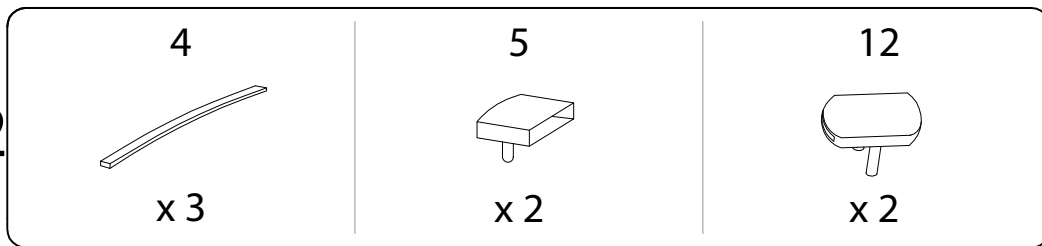
M



x 1



13 x 12



14

