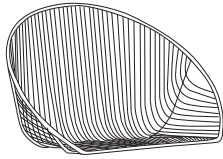
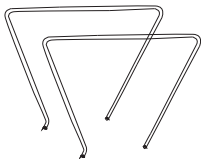




# ASSEMBLY INSTRUCTION

Ax1 	Bx1(R)x1(L) 	Cx4  M6x20mm	Dx4 
Ex1 