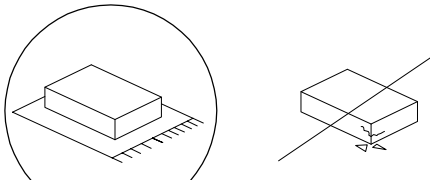


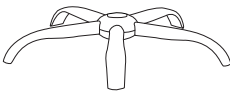
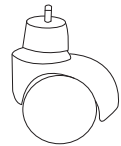

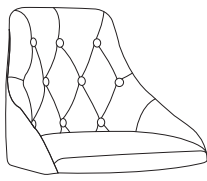
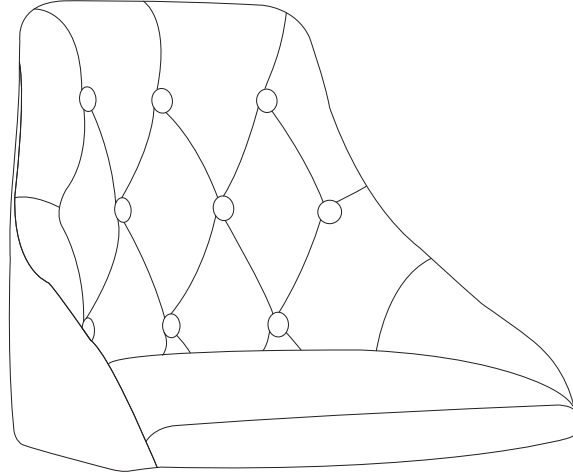
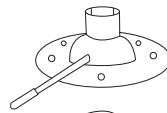

		30'
		
		1

A	B	C	D
			
x 1	x 5	x 1	x 1



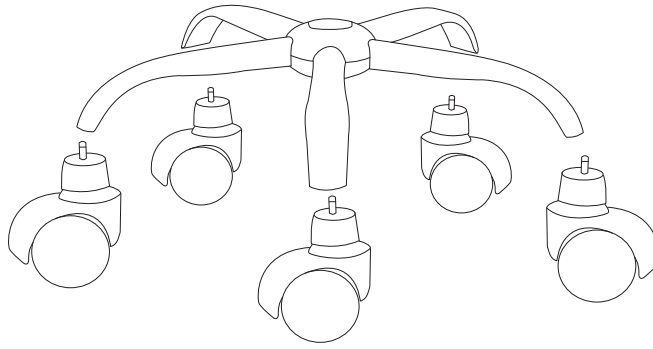
D x 1



E x 1

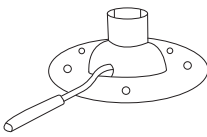
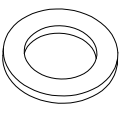
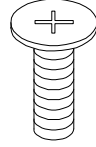
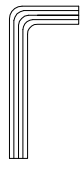


C x 1



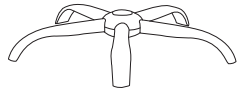
A x 1

B x 5

E	F	G	H
		 M6 x 16	
x 1	x 4	x 4	x 1

1

A

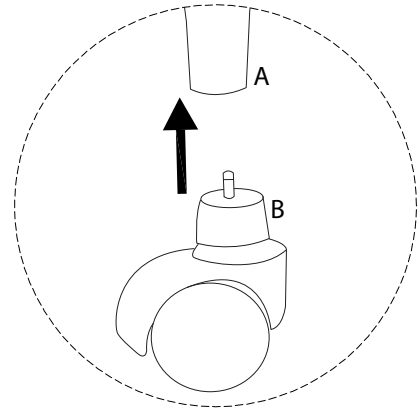
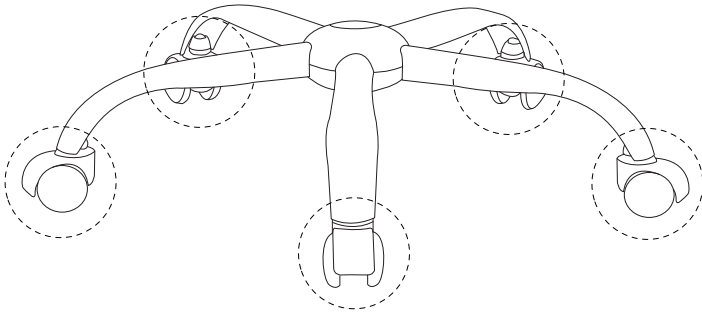


x 1

B

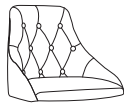


x 5



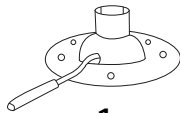
2

D



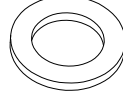
x 1

E



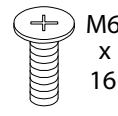
x 1

F



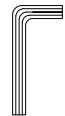
x 4

G

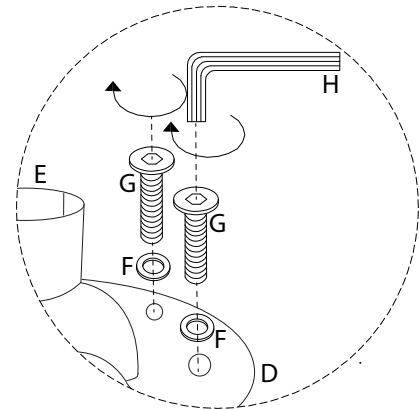
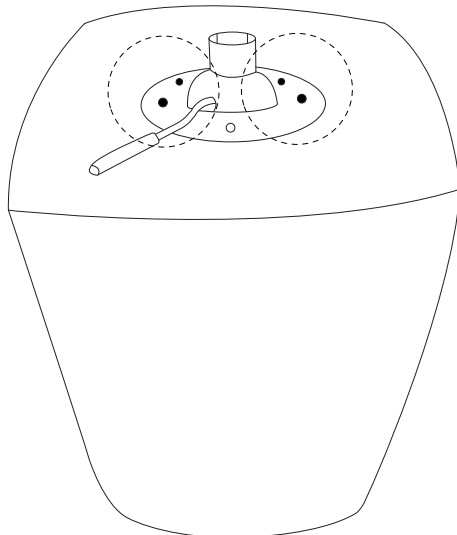


x 4

H



x 1



3

C



x1

